

 **BOEING**  
COMPONENT  
MAINTENANCE MANUAL

TO: ALL HOLDERS OF RUDDER ASSEMBLY COMPONENT MAINTENANCE MANUAL 55-40-13

REVISION NO. 3 DATED NOV 01/00

HIGHLIGHTS

All data formerly in manual 55-40-11 is included in this manual 55-40-13. Pages, which have been added or revised, are outlined below together with the highlights of the revision. Remove and insert the affected pages as listed and enter the revision number and date on the Record of Revision Sheet.

CHAPTER/SECTION

AND PAGE NO.

DESCRIPTION OF CHANGE

TITLE PAGE

Added new 173T2001-29 rudder assembly and its associated subassemblies, to update structural data in accordance with PRRB13100-2.

1

TR & SB RECORD

1

501

REPAIR 1-1

601-605

REPAIR 2-1

601-605

REPAIR 3-1

601-604

REPAIR 4-1

601-604

REPAIR 5-1

601-604

REPAIR 6-1

601-603

REPAIR 7-1

601-604

REPAIR 8-1

601-608

REPAIR 9-1

601-607

**55-40-13**

HIGHLIGHTS

01.1

Page 1

Nov 01/00

 **BOEING**  
COMPONENT  
MAINTENANCE MANUAL

CHAPTER/SECTION  
AND PAGE NO.

DESCRIPTION OF CHANGE

REPAIR 10-1

HIGHLIGHT CONTINUED FROM PREVIOUS PAGE

601

701-706

802-807

1002-1042V,1046A-1052E,

1052Q-1054T,1054W-1054X,

1055-1056,1058G-1068,

1068B-1070U

INTRODUCTION

Added minor technical clarification to text paragraph.

1

DESCRIPTION & OPERATION

1

301

401

501

REPAIR 1-1

601

REPAIR 2-1

601

REPAIR 3-1

601

REPAIR 4-1

601

REPAIR 5-1

601

REPAIR 8-1

601

REPAIR 9-1

601-607

REPAIR 10-1

601

701-702,704-705

807

**55-40-13**

HIGHLIGHTS

01.1

Page 2

Nov 01/00

 **BOEING**  
COMPONENT  
MAINTENANCE MANUAL

CHAPTER/SECTION  
AND PAGE NO.

DESCRIPTION OF CHANGE

|   |  |
|---|--|
| REPAIR 1-1<br>602-605   | Added minor technical clarification to figure. |
| REPAIR 2-1<br>602-605   |  |
| REPAIR 3-1<br>602-604   |  |
| REPAIR 4-1<br>602-604   |  |
| REPAIR 5-1<br>602-604   |  |
| REPAIR 6-1<br>602-604   |  |
| REPAIR 7-1<br>602-604   |  |
| REPAIR 8-1<br>603-608<br>703,706<br>802-806<br>1042X,1043-1044,1044H,<br>1044J,10440-1044P,1044S,<br>1044V,1044Z-1045,<br>1056A-1056W |  |

**55-40-13**

HIGHLIGHTS

01.1

Page 3

Nov 01/00

## RUDDER ASSEMBLY

PART NUMBERS 173T2001-4,-10,-23,-29

COMPONENT MAINTENANCE MANUAL  
WITH  
ILLUSTRATED PARTS LIST

**55-40-13**

TITLE PAGE

Page 1

Nov 01/00

01.1



REVISION RECORD

- Retain this record in front of manual. On receipt of revision, insert revised pages in the manual, and enter revision number, date inserted and initial.

| REVISION NUMBER | REVISION DATE | DATE FILED | BY | REVISION NUMBER | REVISION DATE | DATE FILED | BY |
|-----------------|---------------|------------|----|-----------------|---------------|------------|----|
|                 |               |            |    |                 |               |            |    |

**55-40-13**

REVISION RECORD

01

Page 1

Oct 01/87



TEMPORARY REVISION AND SERVICE BULLETIN RECORD

| BOEING SERVICE BULLETIN | BOEING TEMPORARY REVISION | OTHER DIRECTIVE  | DATE OF INCORPORATION INTO MANUAL   |
|-------------------------|---------------------------|--|---|
| 767-51-10<br>767-51-12  |                           | PRR B10132<br>PRR A10008<br>PRR B10255<br>PRR B10636-1<br>PRR B11078<br>PRR A10030<br>PRR B11607<br>MC 5160MK6001<br><br>PRR 13100-2 | JUL 10/81<br>JUL 10/81<br>JAN 10/85<br>JAN 10/85<br>JAN 10/85<br>JAN 10/85<br>JAN 01/92<br>JAN 01/92<br><br>NOV 01/00 |

55-40-13

TR & SB RECORD

01.1

Page 1

Nov 01/00


**BOEING**  
 COMPONENT  
 MAINTENANCE MANUAL

| PAGE                    | DATE      | CODE | PAGE           | DATE      | CODE |
|-------------------------|-----------|------|----------------|-----------|------|
| 55-40-13                |           |      | REPAIR-GENERAL |           |      |
|                         |           |      | 601            | OCT 01/87 | 01   |
|                         |           |      | 602            | OCT 01/87 | 01   |
| TITLE PAGE              |           |      | 603            | OCT 01/87 | 01   |
| *1                      | NOV 01/00 | 01.1 | 604            | BLANK     |      |
| 2                       | BLANK     |      | REPAIR 1-1     |           |      |
| REVISION RECORD         |           |      | *601           | NOV 01/00 | 01.1 |
| 1                       | OCT 01/87 | 01   | *602           | NOV 01/00 | 01.1 |
| 2                       | BLANK     |      | *603           | NOV 01/00 | 01.1 |
| TR & SB RECORD          |           |      | *604           | NOV 01/00 | 01.1 |
| *1                      | NOV 01/00 | 01.1 | *605           | NOV 01/00 | 01.1 |
| 2                       | BLANK     |      | *606           | BLANK     |      |
| LIST OF EFFECTIVE PAGES |           |      | REPAIR 2-1     |           |      |
| *1                      | NOV 01/00 | 01   | *601           | NOV 01/00 | 01.1 |
| THRU LAST PAGE          |           |      | *602           | NOV 01/00 | 01.1 |
| CONTENTS                |           |      | *603           | NOV 01/00 | 01.1 |
| 1                       | OCT 01/87 | 01   | *604           | NOV 01/00 | 01.1 |
| 2                       | BLANK     |      | *605           | NOV 01/00 | 01.1 |
| INTRODUCTION            |           |      | *606           | BLANK     |      |
| *1                      | NOV 01/00 | 01.1 | REPAIR 3-1     |           |      |
| 2                       | BLANK     |      | *601           | NOV 01/00 | 01.1 |
| DESCRIPTION & OPERATION |           |      | *602           | NOV 01/00 | 01.1 |
| *1                      | NOV 01/00 | 01.1 | *603           | NOV 01/00 | 01.1 |
| 2                       | BLANK     |      | *604           | NOV 01/00 | 01.1 |
| DISASSEMBLY             |           |      | REPAIR 4-1     |           |      |
| *301                    | NOV 01/00 | 01.1 | *601           | NOV 01/00 | 01.1 |
| 302                     | BLANK     |      | *602           | NOV 01/00 | 01.1 |
| CLEANING                |           |      | *603           | NOV 01/00 | 01.1 |
| *401                    | NOV 01/00 | 01.1 | *604           | NOV 01/00 | 01.1 |
| 402                     | BLANK     |      | REPAIR 5-1     |           |      |
| CHECK                   |           |      | *601           | NOV 01/00 | 01.1 |
| *501                    | NOV 01/00 | 01.1 | *602           | NOV 01/00 | 01.1 |
| 502                     | BLANK     |      | *603           | NOV 01/00 | 01.1 |
|                         |           |      | *604           | NOV 01/00 | 01.1 |

\* = REVISED, ADDED OR DELETED

55-40-13

EFFECTIVE PAGES  
CONTINUED Page 1  
01 Nov 01/00

| PAGE        | DATE      | CODE   | PAGE                   | DATE      | CODE |
|-------------|-----------|--------|------------------------|-----------|------|
| REPAIR 6-1  |           |        | FITS AND CLEARANCES    |           |      |
| *601        | NOV 01/00 | 01.1   | 801                    | OCT 01/87 | 01   |
| *602        | NOV 01/00 | 01.1   | *802                   | NOV 01/00 | 01.1 |
| *603        | NOV 01/00 | 01.1   | *803                   | NOV 01/00 | 01.1 |
| *604        | NOV 01/00 | 01.1   | *804                   | NOV 01/00 | 01.1 |
| REPAIR 7-1  |           |        | *805                   | NOV 01/00 | 01.1 |
| *601        | NOV 01/00 | 01.1   | *806                   | NOV 01/00 | 01.1 |
| *602        | NOV 01/00 | 01.1   | *807                   | NOV 01/00 | 01.1 |
| *603        | NOV 01/00 | 01.1   | 808                    | BLANK     |      |
| *604        | NOV 01/00 | 01.1   | ILLUSTRATED PARTS LIST |           |      |
| REPAIR 8-1  |           |        | 1001                   | OCT 01/87 | 01   |
| *601        | NOV 01/00 | 01.1   | *1002                  | NOV 01/00 | 01.1 |
| *602        | NOV 01/00 | 01.1   | *1003                  | NOV 01/00 | 01.1 |
| *603        | NOV 01/00 | 01.1   | *1004                  | NOV 01/00 | 01.1 |
| *604        | NOV 01/00 | 01.1   | *1005                  | NOV 01/00 | 01.1 |
| *605        | NOV 01/00 | 01.1   | *1006                  | NOV 01/00 | 01.1 |
| *606        | NOV 01/00 | 01.1   | *1007                  | NOV 01/00 | 01.1 |
| *607        | NOV 01/00 | 01.1   | *1008                  | NOV 01/00 | 01.1 |
| *608        | NOV 01/00 | 01.1   | *1009                  | NOV 01/00 | 01.1 |
| REPAIR 9-1  |           |        | *1010                  | NOV 01/00 | 01.1 |
| *601        | NOV 01/00 | 01.1   | *1011                  | NOV 01/00 | 01.1 |
| *602        | NOV 01/00 | 01.1   | *1012                  | NOV 01/00 | 01.1 |
| *603        | NOV 01/00 | 01.1   | *1013                  | NOV 01/00 | 01.1 |
| *604        | NOV 01/00 | 01.1   | *1014                  | NOV 01/00 | 01.1 |
| *605        | NOV 01/00 | 01.1   | *1015                  | NOV 01/00 | 01.1 |
| *606        | NOV 01/00 | 01.1   | *1016                  | NOV 01/00 | 01.1 |
| *607        | NOV 01/00 | 01.1   | *1017                  | NOV 01/00 | 01.1 |
| *608        | NOV 01/00 | 01.101 | *1018                  | NOV 01/00 | 01.1 |
| REPAIR 10-1 |           |        | *1019                  | NOV 01/00 | 01.1 |
| *601        | NOV 01/00 | 01.1   | *1020                  | NOV 01/00 | 01.1 |
| 602         | BLANK     |        | *1021                  | NOV 01/00 | 01.1 |
| ASSEMBLY    |           |        | *1022                  | NOV 01/00 | 01.1 |
| *701        | NOV 01/00 | 01.1   | *1023                  | NOV 01/00 | 01.1 |
| *702        | NOV 01/00 | 01.1   | *1024                  | NOV 01/00 | 01.1 |
| *703        | NOV 01/00 | 01.1   | *1025                  | NOV 01/00 | 01.1 |
| *704        | NOV 01/00 | 01.1   | *1026                  | NOV 01/00 | 01.1 |
| *705        | NOV 01/00 | 01.1   | *1027                  | NOV 01/00 | 01.1 |
| *706        | NOV 01/00 | 01.1   | *1028                  | NOV 01/00 | 01.1 |
|             |           |        | *1029                  | NOV 01/00 | 01.1 |
|             |           |        | *1030                  | NOV 01/00 | 01.1 |
|             |           |        | *1031                  | NOV 01/00 | 01.1 |
|             |           |        | *1032                  | NOV 01/00 | 01.1 |

\* = REVISED, ADDED OR DELETED

**55-40-13**

 EFFECTIVE PAGES  
 CONTINUED Page 2  
 01 Nov 01/00




**BOEING**  
 COMPONENT  
 MAINTENANCE MANUAL

| PAGE                   | DATE      | CODE  | PAGE                   | DATE      | CODE  |
|------------------------|-----------|-------|------------------------|-----------|-------|
| ILLUSTRATED PARTS LIST |           | CONT. | ILLUSTRATED PARTS LIST |           | CONT. |
| *1033                  | NOV 01/00 | 01.1  | *1042G                 | NOV 01/00 | 01.1  |
| *1034                  | NOV 01/00 | 01.1  | *1042H                 | NOV 01/00 | 01.1  |
| *1035                  | NOV 01/00 | 01.1  | *1042I                 | NOV 01/00 | 01.1  |
| *1036                  | NOV 01/00 | 01.1  | *1042J                 | NOV 01/00 | 01.1  |
| *1037                  | NOV 01/00 | 01.1  | *1042K                 | NOV 01/00 | 01.1  |
| *1038                  | NOV 01/00 | 01.1  | *1042L                 | NOV 01/00 | 01.1  |
| *1039                  | NOV 01/00 | 01.1  | *1042M                 | NOV 01/00 | 01.1  |
| *1040                  | NOV 01/00 | 01.1  | *1042N                 | NOV 01/00 | 01.1  |
| *1040A                 | NOV 01/00 | 01.1  | *1042O                 | NOV 01/00 | 01.1  |
| *1040B                 | NOV 01/00 | 01.1  | *1042P                 | NOV 01/00 | 01.1  |
| *1040C                 | NOV 01/00 | 01.1  | *1042Q                 | NOV 01/00 | 01.1  |
| *1040D                 | NOV 01/00 | 01.1  | *1042R                 | NOV 01/00 | 01.1  |
| *1040E                 | NOV 01/00 | 01.1  | *1042S                 | NOV 01/00 | 01.1  |
| *1040F                 | NOV 01/00 | 01.1  | *1042T                 | NOV 01/00 | 01.1  |
| *1040G                 | NOV 01/00 | 01.1  | *1042U                 | NOV 01/00 | 01.1  |
| *1040H                 | NOV 01/00 | 01.1  | *1042V                 | NOV 01/00 | 01.1  |
| *1040I                 | NOV 01/00 | 01.1  | *1042W                 | BLANK     |       |
| *1040J                 | NOV 01/00 | 01.1  | *1042X                 | NOV 01/00 | 01.1  |
| *1040K                 | NOV 01/00 | 01.1  | *1042Y                 | NOV 01/00 | 01.1  |
| *1040L                 | NOV 01/00 | 01.1  | *1042Z                 | NOV 01/00 | 01.1  |
| *1040M                 | NOV 01/00 | 01.1  | *1043                  | NOV 01/00 | 01.1  |
| *1040N                 | NOV 01/00 | 01.1  | *1044                  | NOV 01/00 | 01.1  |
| *1040O                 | NOV 01/00 | 01.1  | *1044A                 | NOV 01/00 | 01.1  |
| *1040P                 | NOV 01/00 | 01.1  | *1044B                 | NOV 01/00 | 01.1  |
| *1040Q                 | NOV 01/00 | 01.1  | *1044C                 | NOV 01/00 | 01.1  |
| *1040R                 | NOV 01/00 | 01.1  | *1044D                 | NOV 01/00 | 01.1  |
| *1040S                 | NOV 01/00 | 01.1  | *1044E                 | NOV 01/00 | 01.1  |
| *1040T                 | NOV 01/00 | 01.1  | *1044F                 | NOV 01/00 | 01.1  |
| *1040U                 | NOV 01/00 | 01.1  | *1044G                 | NOV 01/00 | 01.1  |
| *1040V                 | NOV 01/00 | 01.1  | *1044H                 | NOV 01/00 | 01.1  |
| *1040W                 | NOV 01/00 | 01.1  | *1044I                 | NOV 01/00 | 01.1  |
| *1040X                 | NOV 01/00 | 01.1  | *1044J                 | NOV 01/00 | 01.1  |
| *1040Y                 | NOV 01/00 | 01.1  | *1044K                 | NOV 01/00 | 01.1  |
| *1040Z                 | NOV 01/00 | 01.1  | *1044L                 | NOV 01/00 | 01.1  |
| *1041                  | NOV 01/00 | 01.1  | *1044M                 | NOV 01/00 | 01.1  |
| *1042                  | NOV 01/00 | 01.1  | *1044N                 | NOV 01/00 | 01.1  |
| *1042A                 | NOV 01/00 | 01.1  | *1044O                 | NOV 01/00 | 01.1  |
| *1042B                 | NOV 01/00 | 01.1  | *1044P                 | NOV 01/00 | 01.1  |
| *1042C                 | NOV 01/00 | 01.1  | *1044Q                 | NOV 01/00 | 01.1  |
| *1042D                 | NOV 01/00 | 01.1  | *1044R                 | NOV 01/00 | 01.1  |
| *1042E                 | NOV 01/00 | 01.1  | *1044S                 | NOV 01/00 | 01.1  |
| *1042F                 | NOV 01/00 | 01.1  | *1044T                 | NOV 01/00 | 01.1  |

\* = REVISED, ADDED OR DELETED

55-40-13

EFFECTIVE PAGES  
CONTINUED Page 3  
01 Nov 01/00

| PAGE                   | DATE      | CODE  | PAGE                   | DATE      | CODE  |
|------------------------|-----------|-------|------------------------|-----------|-------|
| ILLUSTRATED PARTS LIST |           | CONT. | ILLUSTRATED PARTS LIST |           | CONT. |
| *1044U                 | NOV 01/00 | 01.1  | *1048G                 | NOV 01/00 | 01.1  |
| *1044V                 | NOV 01/00 | 01.1  | *1048H                 | NOV 01/00 | 01.1  |
| *1044W                 | NOV 01/00 | 01.1  | *1048I                 | NOV 01/00 | 01.1  |
| *1044X                 | NOV 01/00 | 01.1  | *1048J                 | NOV 01/00 | 01.1  |
| *1044Y                 | NOV 01/00 | 01.1  | *1048K                 | NOV 01/00 | 01.1  |
| *1044Z                 | NOV 01/00 | 01.1  | *1048L                 | NOV 01/00 | 01.1  |
| *1045                  | NOV 01/00 | 01.1  | *1048M                 | NOV 01/00 | 01.1  |
| *1046                  | NOV 01/00 | 01.1  | *1048N                 | NOV 01/00 | 01.1  |
| *1046A                 | NOV 01/00 | 01.1  | *1048O                 | NOV 01/00 | 01.1  |
| *1046B                 | NOV 01/00 | 01.1  | *1048P                 | NOV 01/00 | 01.1  |
| *1046C                 | NOV 01/00 | 01.1  | *1048Q                 | NOV 01/00 | 01.1  |
| *1046D                 | NOV 01/00 | 01.1  | *1048R                 | NOV 01/00 | 01.1  |
| *1046E                 | NOV 01/00 | 01.1  | *1048S                 | NOV 01/00 | 01.1  |
| *1046F                 | NOV 01/00 | 01.1  | *1048T                 | NOV 01/00 | 01.1  |
| *1046G                 | NOV 01/00 | 01.1  | *1048U                 | NOV 01/00 | 01.1  |
| *1046H                 | NOV 01/00 | 01.1  | *1048V                 | NOV 01/00 | 01.1  |
| *1046I                 | NOV 01/00 | 01.1  | *1048W                 | NOV 01/00 | 01.1  |
| *1046J                 | NOV 01/00 | 01.1  | *1048X                 | NOV 01/00 | 01.1  |
| *1046K                 | NOV 01/00 | 01.1  | *1048Y                 | NOV 01/00 | 01.1  |
| *1046L                 | NOV 01/00 | 01.1  | *1048Z                 | NOV 01/00 | 01.1  |
| *1046M                 | NOV 01/00 | 01.1  | *1049                  | NOV 01/00 | 01.1  |
| *1046N                 | NOV 01/00 | 01.1  | *1050                  | NOV 01/00 | 01.1  |
| *1046O                 | NOV 01/00 | 01.1  | *1050A                 | NOV 01/00 | 01.1  |
| *1046P                 | NOV 01/00 | 01.1  | *1050B                 | NOV 01/00 | 01.1  |
| *1046Q                 | NOV 01/00 | 01.1  | *1050C                 | NOV 01/00 | 01.1  |
| *1046R                 | NOV 01/00 | 01.1  | *1050D                 | NOV 01/00 | 01.1  |
| *1046S                 | NOV 01/00 | 01.1  | *1050E                 | NOV 01/00 | 01.1  |
| *1046T                 | NOV 01/00 | 01.1  | *1050F                 | NOV 01/00 | 01.1  |
| *1046U                 | NOV 01/00 | 01.1  | *1050G                 | NOV 01/00 | 01.1  |
| *1046V                 | NOV 01/00 | 01.1  | *1050H                 | NOV 01/00 | 01.1  |
| *1046W                 | NOV 01/00 | 01.1  | *1050I                 | NOV 01/00 | 01.1  |
| *1046X                 | NOV 01/00 | 01.1  | *1050J                 | NOV 01/00 | 01.1  |
| *1046Y                 | NOV 01/00 | 01.1  | *1050K                 | NOV 01/00 | 01.1  |
| *1046Z                 | NOV 01/00 | 01.1  | *1050L                 | NOV 01/00 | 01.1  |
| *1047                  | NOV 01/00 | 01.1  | *1050M                 | NOV 01/00 | 01.1  |
| *1048                  | NOV 01/00 | 01.1  | *1050N                 | NOV 01/00 | 01.1  |
| *1048A                 | NOV 01/00 | 01.1  | *1050O                 | NOV 01/00 | 01.1  |
| *1048B                 | NOV 01/00 | 01.1  | *1050P                 | NOV 01/00 | 01.1  |
| *1048C                 | NOV 01/00 | 01.1  | *1050Q                 | NOV 01/00 | 01.1  |
| *1048D                 | NOV 01/00 | 01.1  | *1050R                 | NOV 01/00 | 01.1  |
| *1048E                 | NOV 01/00 | 01.1  | *1050S                 | NOV 01/00 | 01.1  |
| *1048F                 | NOV 01/00 | 01.1  | *1050T                 | NOV 01/00 | 01.1  |

\* = REVISED, ADDED OR DELETED

55-40-13

EFFECTIVE PAGES  
CONTINUED Page 4  
01 Nov 01/00


**BOEING**  
 COMPONENT  
 MAINTENANCE MANUAL

| PAGE                   | DATE      | CODE  | PAGE                   | DATE      | CODE  |
|------------------------|-----------|-------|------------------------|-----------|-------|
| ILLUSTRATED PARTS LIST |           | CONT. | ILLUSTRATED PARTS LIST |           | CONT. |
| *1050U                 | NOV 01/00 | 01.1  | *1054G                 | NOV 01/00 | 01.1  |
| *1050V                 | NOV 01/00 | 01.1  | *1054H                 | NOV 01/00 | 01.1  |
| *1050W                 | NOV 01/00 | 01.1  | *1054I                 | NOV 01/00 | 01.1  |
| *1050X                 | NOV 01/00 | 01.1  | *1054J                 | NOV 01/00 | 01.1  |
| *1050Y                 | NOV 01/00 | 01.1  | *1054K                 | NOV 01/00 | 01.1  |
| *1050Z                 | NOV 01/00 | 01.1  | *1054L                 | NOV 01/00 | 01.1  |
| *1051                  | NOV 01/00 | 01.1  | *1054M                 | NOV 01/00 | 01.1  |
| *1052                  | NOV 01/00 | 01.1  | *1054N                 | NOV 01/00 | 01.1  |
| *1052A                 | NOV 01/00 | 01.1  | *1054O                 | NOV 01/00 | 01.1  |
| *1052B                 | NOV 01/00 | 01.1  | *1054P                 | NOV 01/00 | 01.1  |
| *1052C                 | NOV 01/00 | 01.1  | *1054Q                 | NOV 01/00 | 01.1  |
| *1052D                 | NOV 01/00 | 01.1  | *1054R                 | NOV 01/00 | 01.1  |
| *1052E                 | NOV 01/00 | 01.1  | *1054S                 | NOV 01/00 | 01.1  |
| *1052F                 | BLANK     |       | *1054T                 | NOV 01/00 | 01.1  |
| *1052G                 | NOV 01/00 | 01.1  | *1054U                 | NOV 01/00 | 01.1  |
| *1052H                 | NOV 01/00 | 01.1  | *1054V                 | NOV 01/00 | 01.1  |
| *1052I                 | NOV 01/00 | 01.1  | *1054W                 | NOV 01/00 | 01.1  |
| *1052J                 | NOV 01/00 | 01.1  | *1054X                 | NOV 01/00 | 01.1  |
| *1052K                 | NOV 01/00 | 01.1  | *1054Y                 | NOV 01/00 | 01.1  |
| *1052L                 | NOV 01/00 | 01.1  | *1054Z                 | NOV 01/00 | 01.1  |
| *1052M                 | NOV 01/00 | 01.1  | *1055                  | NOV 01/00 | 01.1  |
| *1052N                 | NOV 01/00 | 01.1  | *1056                  | NOV 01/00 | 01.1  |
| *1052O                 | NOV 01/00 | 01.1  | *1056A                 | NOV 01/00 | 01.1  |
| *1052P                 | NOV 01/00 | 01.1  | *1056B                 | NOV 01/00 | 01.1  |
| *1052Q                 | NOV 01/00 | 01.1  | *1056C                 | NOV 01/00 | 01.1  |
| *1052R                 | NOV 01/00 | 01.1  | *1056D                 | NOV 01/00 | 01.1  |
| *1052S                 | NOV 01/00 | 01.1  | *1056E                 | NOV 01/00 | 01.1  |
| *1052T                 | NOV 01/00 | 01.1  | *1056F                 | NOV 01/00 | 01.1  |
| *1052U                 | NOV 01/00 | 01.1  | *1056G                 | NOV 01/00 | 01.1  |
| *1052V                 | NOV 01/00 | 01.1  | *1056H                 | NOV 01/00 | 01.1  |
| *1052W                 | NOV 01/00 | 01.1  | *1056I                 | NOV 01/00 | 01.1  |
| *1052X                 | NOV 01/00 | 01.1  | *1056J                 | NOV 01/00 | 01.1  |
| *1052Y                 | NOV 01/00 | 01.1  | *1056K                 | NOV 01/00 | 01.1  |
| *1052Z                 | NOV 01/00 | 01.1  | *1056L                 | NOV 01/00 | 01.1  |
| *1053                  | NOV 01/00 | 01.1  | *1056M                 | NOV 01/00 | 01.1  |
| *1054                  | NOV 01/00 | 01.1  | *1056N                 | NOV 01/00 | 01.1  |
| *1054A                 | NOV 01/00 | 01.1  | *1056O                 | NOV 01/00 | 01.1  |
| *1054B                 | NOV 01/00 | 01.1  | *1056P                 | NOV 01/00 | 01.1  |
| *1054C                 | NOV 01/00 | 01.1  | *1056Q                 | NOV 01/00 | 01.1  |
| *1054D                 | NOV 01/00 | 01.1  | *1056R                 | NOV 01/00 | 01.1  |
| *1054E                 | NOV 01/00 | 01.1  | *1056S                 | NOV 01/00 | 01.1  |
| *1054F                 | NOV 01/00 | 01.1  | *1056T                 | NOV 01/00 | 01.1  |

\* = REVISED, ADDED OR DELETED

55-40-13

EFFECTIVE PAGES

CONTINUED Page 5

01 Nov 01/00

| PAGE                   | DATE      | CODE  | PAGE                   | DATE      | CODE  |
|------------------------|-----------|-------|------------------------|-----------|-------|
| ILLUSTRATED PARTS LIST |           | CONT. | ILLUSTRATED PARTS LIST |           | CONT. |
| *1056U                 | NOV 01/00 | 01.1  | *1060G                 | NOV 01/00 | 01.1  |
| *1056V                 | NOV 01/00 | 01.1  | *1060H                 | NOV 01/00 | 01.1  |
| *1056W                 | NOV 01/00 | 01.1  | *1060I                 | NOV 01/00 | 01.1  |
| *1056X                 | NOV 01/00 | 01.1  | *1060J                 | NOV 01/00 | 01.1  |
| *1056Y                 | NOV 01/00 | 01.1  | *1060K                 | NOV 01/00 | 01.1  |
| *1056Z                 | NOV 01/00 | 01.1  | *1060L                 | NOV 01/00 | 01.1  |
| *1057                  | NOV 01/00 | 01.1  | *1060M                 | NOV 01/00 | 01.1  |
| *1058                  | NOV 01/00 | 01.1  | *1060N                 | NOV 01/00 | 01.1  |
| *1058A                 | NOV 01/00 | 01.1  | *1060O                 | NOV 01/00 | 01.1  |
| *1058B                 | NOV 01/00 | 01.1  | *1060P                 | NOV 01/00 | 01.1  |
| *1058C                 | NOV 01/00 | 01.1  | *1060Q                 | NOV 01/00 | 01.1  |
| *1058D                 | NOV 01/00 | 01.1  | *1060R                 | NOV 01/00 | 01.1  |
| *1058E                 | NOV 01/00 | 01.1  | *1060S                 | NOV 01/00 | 01.1  |
| *1058F                 | NOV 01/00 | 01.1  | *1060T                 | NOV 01/00 | 01.1  |
| *1058G                 | NOV 01/00 | 01.1  | *1060U                 | NOV 01/00 | 01.1  |
| *1058H                 | NOV 01/00 | 01.1  | *1060V                 | NOV 01/00 | 01.1  |
| *1058I                 | NOV 01/00 | 01.1  | *1060W                 | NOV 01/00 | 01.1  |
| *1058J                 | NOV 01/00 | 01.1  | *1060X                 | NOV 01/00 | 01.1  |
| *1058K                 | NOV 01/00 | 01.1  | *1060Y                 | NOV 01/00 | 01.1  |
| *1058L                 | NOV 01/00 | 01.1  | *1060Z                 | NOV 01/00 | 01.1  |
| *1058M                 | NOV 01/00 | 01.1  | *1061                  | NOV 01/00 | 01.1  |
| *1058N                 | NOV 01/00 | 01.1  | *1062                  | NOV 01/00 | 01.1  |
| *1058O                 | NOV 01/00 | 01.1  | *1062A                 | NOV 01/00 | 01.1  |
| *1058P                 | NOV 01/00 | 01.1  | *1062B                 | NOV 01/00 | 01.1  |
| *1058Q                 | NOV 01/00 | 01.1  | *1062C                 | NOV 01/00 | 01.1  |
| *1058R                 | NOV 01/00 | 01.1  | *1062D                 | NOV 01/00 | 01.1  |
| *1058S                 | NOV 01/00 | 01.1  | *1062E                 | NOV 01/00 | 01.1  |
| *1058T                 | NOV 01/00 | 01.1  | *1062F                 | NOV 01/00 | 01.1  |
| *1058U                 | NOV 01/00 | 01.1  | *1062G                 | NOV 01/00 | 01.1  |
| *1058V                 | NOV 01/00 | 01.1  | *1062H                 | NOV 01/00 | 01.1  |
| *1058W                 | NOV 01/00 | 01.1  | *1062I                 | NOV 01/00 | 01.1  |
| *1058X                 | NOV 01/00 | 01.1  | *1062J                 | NOV 01/00 | 01.1  |
| *1058Y                 | NOV 01/00 | 01.1  | *1062K                 | NOV 01/00 | 01.1  |
| *1058Z                 | NOV 01/00 | 01.1  | *1062L                 | NOV 01/00 | 01.1  |
| *1059                  | NOV 01/00 | 01.1  | *1062M                 | NOV 01/00 | 01.1  |
| *1060                  | NOV 01/00 | 01.1  | *1062N                 | NOV 01/00 | 01.1  |
| *1060A                 | NOV 01/00 | 01.1  | *1062O                 | NOV 01/00 | 01.1  |
| *1060B                 | NOV 01/00 | 01.1  | *1062P                 | NOV 01/00 | 01.1  |
| *1060C                 | NOV 01/00 | 01.1  | *1062Q                 | NOV 01/00 | 01.1  |
| *1060D                 | NOV 01/00 | 01.1  | *1062R                 | NOV 01/00 | 01.1  |
| *1060E                 | NOV 01/00 | 01.1  | *1062S                 | NOV 01/00 | 01.1  |
| *1060F                 | NOV 01/00 | 01.1  | *1062T                 | NOV 01/00 | 01.1  |

\* = REVISED, ADDED OR DELETED

55-40-13

EFFECTIVE PAGES  
CONTINUED Page 6  
01 Nov 01/00


**BOEING**  
 COMPONENT  
 MAINTENANCE MANUAL

| PAGE                   | DATE      | CODE  | PAGE                   | DATE      | CODE  |
|------------------------|-----------|-------|------------------------|-----------|-------|
| ILLUSTRATED PARTS LIST |           | CONT. | ILLUSTRATED PARTS LIST |           | CONT. |
| *1062U                 | NOV 01/00 | 01.1  | *1066G                 | NOV 01/00 | 01.1  |
| *1062V                 | NOV 01/00 | 01.1  | *1066H                 | NOV 01/00 | 01.1  |
| *1062W                 | NOV 01/00 | 01.1  | *1066I                 | NOV 01/00 | 01.1  |
| *1062X                 | NOV 01/00 | 01.1  | *1066J                 | NOV 01/00 | 01.1  |
| *1062Y                 | NOV 01/00 | 01.1  | *1066K                 | NOV 01/00 | 01.1  |
| *1062Z                 | NOV 01/00 | 01.1  | *1066L                 | NOV 01/00 | 01.1  |
| *1063                  | NOV 01/00 | 01.1  | *1066M                 | NOV 01/00 | 01.1  |
| *1064                  | NOV 01/00 | 01.1  | *1066N                 | NOV 01/00 | 01.1  |
| *1064A                 | NOV 01/00 | 01.1  | *1066O                 | NOV 01/00 | 01.1  |
| *1064B                 | NOV 01/00 | 01.1  | *1066P                 | NOV 01/00 | 01.1  |
| *1064C                 | NOV 01/00 | 01.1  | *1066Q                 | NOV 01/00 | 01.1  |
| *1064D                 | NOV 01/00 | 01.1  | *1066R                 | NOV 01/00 | 01.1  |
| *1064E                 | NOV 01/00 | 01.1  | *1066S                 | NOV 01/00 | 01.1  |
| *1064F                 | NOV 01/00 | 01.1  | *1066T                 | NOV 01/00 | 01.1  |
| *1064G                 | NOV 01/00 | 01.1  | *1066U                 | NOV 01/00 | 01.1  |
| *1064H                 | NOV 01/00 | 01.1  | *1066V                 | NOV 01/00 | 01.1  |
| *1064I                 | NOV 01/00 | 01.1  | *1066W                 | NOV 01/00 | 01.1  |
| *1064J                 | NOV 01/00 | 01.1  | *1066X                 | NOV 01/00 | 01.1  |
| *1064K                 | NOV 01/00 | 01.1  | *1066Y                 | NOV 01/00 | 01.1  |
| *1064L                 | NOV 01/00 | 01.1  | *1066Z                 | NOV 01/00 | 01.1  |
| *1064M                 | NOV 01/00 | 01.1  | *1067                  | NOV 01/00 | 01.1  |
| *1064N                 | NOV 01/00 | 01.1  | *1068                  | NOV 01/00 | 01.1  |
| *1064O                 | NOV 01/00 | 01.1  | *1068A                 | BLANK     |       |
| *1064P                 | NOV 01/00 | 01.1  | *1068B                 | NOV 01/00 | 01.1  |
| *1064Q                 | NOV 01/00 | 01.1  | *1068C                 | NOV 01/00 | 01.1  |
| *1064R                 | NOV 01/00 | 01.1  | *1068D                 | NOV 01/00 | 01.1  |
| *1064S                 | NOV 01/00 | 01.1  | *1068E                 | NOV 01/00 | 01.1  |
| *1064T                 | NOV 01/00 | 01.1  | *1068F                 | NOV 01/00 | 01.1  |
| *1064U                 | NOV 01/00 | 01.1  | *1068G                 | NOV 01/00 | 01.1  |
| *1064V                 | NOV 01/00 | 01.1  | *1068H                 | NOV 01/00 | 01.1  |
| *1064W                 | NOV 01/00 | 01.1  | *1068I                 | NOV 01/00 | 01.1  |
| *1064X                 | NOV 01/00 | 01.1  | *1068J                 | NOV 01/00 | 01.1  |
| *1064Y                 | NOV 01/00 | 01.1  | *1068K                 | NOV 01/00 | 01.1  |
| *1064Z                 | NOV 01/00 | 01.1  | *1068L                 | NOV 01/00 | 01.1  |
| *1065                  | NOV 01/00 | 01.1  | *1068M                 | NOV 01/00 | 01.1  |
| *1066                  | NOV 01/00 | 01.1  | *1068N                 | NOV 01/00 | 01.1  |
| *1066A                 | NOV 01/00 | 01.1  | *1068O                 | NOV 01/00 | 01.1  |
| *1066B                 | NOV 01/00 | 01.1  | *1068P                 | NOV 01/00 | 01.1  |
| *1066C                 | NOV 01/00 | 01.1  | *1068Q                 | NOV 01/00 | 01.1  |
| *1066D                 | NOV 01/00 | 01.1  | *1068R                 | NOV 01/00 | 01.1  |
| *1066E                 | NOV 01/00 | 01.1  | *1068S                 | NOV 01/00 | 01.1  |
| *1066F                 | NOV 01/00 | 01.1  | *1068T                 | NOV 01/00 | 01.1  |

\* = REVISED, ADDED OR DELETED

55-40-13

EFFECTIVE PAGES

CONTINUED Page 7

01 Nov 01/00

| PAGE        | DATE       | CODE  | PAGE | DATE | CODE |
|-------------|------------|-------|------|------|------|
| ILLUSTRATED | PARTS LIST | CONT. |      |      |      |
| *1068U      | NOV 01/00  | 01.1  |      |      |      |
| *1068V      | NOV 01/00  | 01.1  |      |      |      |
| *1068W      | NOV 01/00  | 01.1  |      |      |      |
| *1068X      | NOV 01/00  | 01.1  |      |      |      |
| *1068Y      | NOV 01/00  | 01.1  |      |      |      |
| *1068Z      | NOV 01/00  | 01.1  |      |      |      |
| *1069       | NOV 01/00  | 01.1  |      |      |      |
| *1070       | NOV 01/00  | 01.1  |      |      |      |
| *1070A      | NOV 01/00  | 01.1  |      |      |      |
| *1070B      | NOV 01/00  | 01.1  |      |      |      |
| *1070C      | NOV 01/00  | 01.1  |      |      |      |
| *1070D      | NOV 01/00  | 01.1  |      |      |      |
| *1070E      | NOV 01/00  | 01.1  |      |      |      |
| *1070F      | NOV 01/00  | 01.1  |      |      |      |
| *1070G      | NOV 01/00  | 01.1  |      |      |      |
| *1070H      | NOV 01/00  | 01.1  |      |      |      |
| *1070I      | NOV 01/00  | 01.1  |      |      |      |
| *1070J      | NOV 01/00  | 01.1  |      |      |      |
| *1070K      | NOV 01/00  | 01.1  |      |      |      |
| *1070L      | NOV 01/00  | 01.1  |      |      |      |
| *1070M      | NOV 01/00  | 01.1  |      |      |      |
| *1070N      | NOV 01/00  | 01.1  |      |      |      |
| *1070O      | NOV 01/00  | 01.1  |      |      |      |
| *1070P      | NOV 01/00  | 01.1  |      |      |      |
| *1070Q      | NOV 01/00  | 01.1  |      |      |      |
| *1070R      | NOV 01/00  | 01.1  |      |      |      |
| *1070S      | NOV 01/00  | 01.1  |      |      |      |
| *1070T      | NOV 01/00  | 01.1  |      |      |      |
| *1070U      | NOV 01/00  | 01.1  |      |      |      |
| *1070V      | BLANK      |       |      |      |      |

\* = REVISED, ADDED OR DELETED

# 55-40-13

EFFECTIVE PAGES  
 LAST PAGE Page 8  
 01 Nov 01/00



TABLE OF CONTENTS

| <u>Paragraph Title</u>                        | <u>Page</u> |
|---|-------------|
| Description and Operation. . . . .            | 1           |
| Testing and Trouble Shooting (not applicable) |             |
| Disassembly. . . . .                          | 301         |
| Cleaning . . . . .                            | 401         |
| Check. . . . .                                | 501         |
| Repair . . . . .                              | 601         |
| Assembly . . . . .                            | 701         |
| Fits and Clearances. . . . .                  | 801         |
| Special Tools (not applicable)                |             |
| Illustrated Parts List . . . . .              | 1001        |

**55-40-13**

CONTENTS

01

Page 1

Oct 01/87



## INTRODUCTION

The instructions that are specified in this manual give the data necessary to do the maintenance functions that range from simple maintenance checks and part replacement to complete shop-type repair procedures.

This manual is divided into separate sections:

- |  |                              |
|--|------------------------------|
| 1. Title Page                                      | 4. List of Effective Pages   |
| 2. Record of Revisions                             | 5. Table of Contents         |
| 3. Temporary Revision &<br>Service Bulletin Record | 6. Introduction              |
|  | 7. Procedures & IPL Sections |

Refer to the Table of Contents for the page location of applicable sections. An asterisked flagnote \*[ ] in place of the page number indicates that no special instructions are provided since the function can be performed using standard industry practices.

The beginning of the REPAIR section includes a list of the separate repairs, a list of applicable standard Boeing practices, and an explanation of the True Position Dimensioning symbols used.

An explanation of the use of the Illustrated Parts List is provided in the Introduction to that section.

All weights and measurements used in the manual are in English units, unless otherwise stated. When metric equivalents are given they will be in parentheses following the English units.

Design changes, optional parts, configuration differences and Service Bulletin modifications create alternate part numbers. These are identified in the Illustrated Parts List (IPL) by adding an alphabetical character to the basic item number. The resulting item number is called an alpha-variant. Throughout the manual, IPL basic item number references also apply to alpha-variants unless otherwise indicated.

Verification:

Assembly Apr 15/86

**55-40-13**

INTRODUCTION

01.1

Page 1

Nov 01/00





RUDDER ASSEMBLY

DESCRIPTION AND OPERATION

1. Description and Operation

A. The rudder assembly consists of panel assemblies, spar bond assemblies, rib posts, inspection doors, actuator fittings, hinge fittings, vertical load fittings, hoisting supports, leading edge assemblies, shims, a rudder tip and associated hardware.

B. The rudder assembly is hydraulically operated and controls the yaw of the airplane.

2. Leading Particulars (approximate)

Length -- 36 feet

Height -- 9 feet

Width -- 1.5 feet

Weight -- 463 pounds

55-40-13

DESCRIPTION & OPERATION

01.1

Page 1

Nov 01/00



### DISASSEMBLY

NOTE: Disassemble this component only as necessary to complete fault isolation, determine the serviceability of parts, perform required repairs and restore the unit to serviceable condition.

Locally fabricated tooling is recommended for assistance when removing and replacing fittings on this assembly.

1. Disassemble this component using standard industry practices, and additional procedures in the following steps.
2. Note thickness of shims for reference during assembly.
3. Refer to SOPM 20-10-08 for instructions on removing fay surface sealed parts. Fittings, ribs, seal retainers and shims have been fay surface sealed with sealant, BMS 5-95.

**55-40-13**

DISASSEMBLY

01.1

Page 301

Nov 01/00



### CLEANING

CAUTION: DO NOT VAPOR DEGREASE GRAPHITE/ARAMID EPOXY STRUCTURES WITH CHLORINATED CLEANING AGENTS SUCH AS METHYLENE CHLORIDE, TRICHLOROETHYLENE, AND TRICHLOROETHANE. CHLORINATED CLEANING AGENTS WILL CAUSE DAMAGE TO GRAPHITE/ARAMID EPOXY STRUCTURES.

DO NOT SUBMERGE COMPOSITE IN SOLVENT. ALSO, DO NOT PERMIT A SOLVENT MATERIAL TO STAY ON A COMPOSITE SURFACE. IF YOU DO NOT OBEY, THEN DAMAGE TO THE COMPOSITE CAN OCCUR.

1. Clean all parts in accordance with standard industry practices along with the instructions given in SOPM 20-30-03, except for the graphite/aramid epoxy structures.

# 55-40-13

01.1  
CLEANING  
Page 401  
Nov 01/00

CHECK

1. Check all parts for visible defects in accordance with standard industry practices.
2. Check honeycomb and bonded parts for evidence of delamination, internal water, scratches and contour defects.
  - A. Examine for delamination ultrasonically.
  - B. Examine areas suspected of containing water radiographically to determine extent of damage.
  - C. Examine edges of panel carefully for cuts and abrasions. Delamination starts very easily from damage to an edge member.
3. Refer to 767 Structural Repair Manual 55-40-01 for allowable damage data.
4. Penetrant inspect as given in SOPM 20-20-02 -- fitting (IPL Fig. 1, 229, 243, 281H, 283, 284, 307A, 351A, 352A, 373A, 418A, 431A, 432A, 477A ; IPL Fig. 7, 240, 268, 376, 428, 476, 480, 520, 572, 608, 612, 648), plate (IPL Fig. 1 and 5, 933, 935) (IPL Fig. 6 823, 826), bracket (IPL Fig. 1 260, 260A, 619, 619A) (IPL Fig. 7 328, 328A)
5. Refer to Fits and Clearances for design and wear limits.

**55-40-13**

CHECK

01.1

Page 501

Nov 01/00

REPAIR – GENERAL1. Content

- A. Repair, refinish and replacement procedures are included in separate repair sections as follows:

| <u>P/N</u> | <u>NAME</u>         | <u>REPAIR</u> |
|------------|---------------------|---------------|
| 173T2017   | FITTING ASSEMBLY    | 1-1           |
| 173T2019   | FITTING ASSEMBLY    | 2-1           |
| 173T2039   | FITTING ASSEMBLY    | 3-1           |
| 173T2041   | FITTING ASSEMBLY    | 4-1           |
| 173T2043   | FITTING ASSEMBLY    | 5-1           |
| 173T2045   | FITTING ASSEMBLY    | 6-1           |
| 173T2046   | FITTING ASSEMBLY    | 7-1           |
| 173T2023   | FITTING ASSEMBLY    | 8-1           |
| - - - -    | MISCELLANEOUS PARTS | 9-1           |
| 251T3445   | BRACKET ASSEMBLY    | 10-1          |

2. Standard Practices

- A. Refer to the following standard industry practices, as applicable, for details of procedures in individual repairs.

20-10-02 Machining of Alloy Steel  
 20-10-03 Shot Peening  
 20-20-01 Magnetic Particle Inspection  
 20-30-02 Stripping of Protective Finishes  
 20-30-03 General Cleaning Procedures  
 20-41-01 Decoding Table for Boeing Finish Codes  
 20-41-02 Application of Chemical & Solvent Resistant Finishes  
 20-43-01 Chromic Acid Anodizing  
 20-50-03 Bearing Installation & Retention  
 20-50-12 Application of Adhesives  
 20-50-08 Application of Dry Lubricant  
 20-42-05 Bright Cadmium Plating  
 20-20-01 Magnetic Particle Inspection

55-40-13

REPAIR-GENERAL

01

Page 601

Oct 01/87

### 3. Materials

NOTE: Equivalent substitutes may be used.

- A. Enamel - BMS 10-60, Boeing color 707, gloss (Ref 20-60-02)
  - BMS 10-11, type 2, color 702, gloss (Ref 20-60-02)
- B. Primer - BMS 10-11, type 1 (Ref 20-60-02)
  - BMS 10-79, type 2 (Ref 20-60-02)
- C. Sealant - BMS 5-95 (Ref 20-60-04)
- D. Conditioner, Static - 28-C-1 (Ref 20-60-02)
- E. Surfacer - 8-W-5 (Ref 20-60-02)
- F. Coating, Teflon filled - BMS 10-86, type 1 or 2, gray (Ref 20-60-02)

# 55-40-13

REPAIR-GENERAL

01

Page 602

Oct 01/87

**4. Dimensioning Symbols**

A. Standard True Position Dimensioning Symbols used in applicable repair procedures are shown in Fig. 601.

|                   |                                  |                   |   |
|-------------------|----------------------------------|-------------------|---|
| —                 | STRAIGHTNESS                     | $\oplus$          | THEORETICAL EXACT POSITION OF A FEATURE (TRUE POSITION)   |
| $\square$         | FLATNESS                         | $\varnothing$     | DIAMETER  |
| $\perp$           | PERPENDICULARITY (OR SQUARENESS) | S $\varnothing$   | SPHERICAL DIAMETER  |
| //                | PARALLELISM                      | R                 | RADIUS  |
| $\bigcirc$        | ROUNDNESS                        | SR                | SPHERICAL RADIUS  |
| $\bigcirc$        | CYLINDRICITY                     | ( )               | REFERENCE   |
| $\frown$          | PROFILE OF A LINE                | BASIC (BSC) OR    | A THEORETICALLY EXACT DIMENSION USED TO DESCRIBE SIZE, SHAPE OR LOCATION OF A FEATURE FROM WHICH PERMISSIBLE VARIATIONS ARE ESTABLISHED BY TOLERANCES ON OTHER DIMENSIONS OR NOTES. |
| $\triangle$       | PROFILE OF A SURFACE             | <b>DIM</b>        |   |
| $\odot$           | CONCENTRICITY                    | <b>-A-</b>        | DATUM   |
| $\equiv$          | SYMMETRY                         | $\textcircled{M}$ | MAXIMUM MATERIAL CONDITION (MMC)  |
| $\sphericalangle$ | ANGULARITY                       | $\textcircled{L}$ | LEAST MATERIAL CONDITION (LMC)  |
| $\nearrow$        | RUNOUT                           | $\textcircled{S}$ | REGARDLESS OF FEATURE SIZE (RFS)  |
| $\nearrow$        | TOTAL RUNOUT                     | $\textcircled{P}$ | PROJECTED TOLERANCE ZONE  |
| $\sqsubset$       | COUNTERBORE OR SPOTFACE          | FIM               | FULL INDICATOR MOVEMENT   |
| $\sphericalangle$ | COUNTERSINK                      |                   |   |

**EXAMPLES**

|   |  |  |   |
|---|--|--|---|
| $\text{—} \quad 0.002$  | STRAIGHT WITHIN 0.002  | $\textcircled{\text{C}} \varnothing 0.0005$  | CONCENTRIC TO C WITHIN 0.0005 DIAMETER  |
| $\perp \quad B \quad 0.002$   | PERPENDICULAR TO B WITHIN 0.002  | $\equiv \quad A \quad 0.010$   | SYMMETRICAL WITH A WITHIN 0.010   |
| $// \quad A \quad 0.002$  | PARALLEL TO A WITHIN 0.002   | $\sphericalangle \quad A \quad 0.005$  | ANGULAR TOLERANCE 0.005 WITH A  |
| $\bigcirc \quad 0.002$  | ROUND WITHIN 0.002   | $\oplus \quad B \quad \varnothing 0.002 \quad \textcircled{S}$                                 | LOCATED AT TRUE POSITION WITHIN 0.002 DIA RELATIVE TO DATUM B, REGARDLESS OF FEATURE SIZE   |
| $\bigcirc \quad 0.010$  | CYLINDRICAL SURFACE MUST LIE BETWEEN TWO CONCENTRIC CYLINDERS, ONE OF WHICH HAS A RADIUS 0.010 INCH GREATER THAN THE OTHER               | $\perp \quad A \quad \varnothing 0.010 \quad \textcircled{M}$<br>$0.510 \quad \textcircled{P}$ | AXIS IS TOTALLY WITHIN A CYLINDER OF 0.010-INCH DIAMETER, PERPENDICULAR TO, AND EXTENDING 0.510-INCH ABOVE, DATUM A, MAXIMUM MATERIAL CONDITION |
| $\frown \quad A \quad 0.006$  | EACH LINE ELEMENT OF THE SURFACE AT ANY CROSS SECTION MUST LIE BETWEEN TWO PROFILE BOUNDARIES 0.006 INCH APART RELATIVE TO DATUM PLANE A | $2.000$  | EXACT DIMENSION IS 2.000  |
| $\triangle \quad A \quad 0.020$   | SURFACES MUST LIE WITHIN PARALLEL BOUNDARIES 0.02 INCH APART AND EQUALLY DISPOSED ABOUT TRUE PROFILE                                     | OR<br>2.000<br>BSC   |   |
| (NOTE THAT $\triangle \quad A \quad 0.020$ MAY ALSO APPEAR AS $\triangle \quad 0.020 \quad A$ ) |  |  |   |

True Position Dimensioning Symbols  
Figure 601

**55-40-13**

REPAIR-GENERAL

01

Page 603

Oct 01/87

FITTING ASSEMBLY – REPAIR 1-1

173T2017-1, -3, -5, -7

**NOTE:** Refer to REPAIR-GENERAL for a list of the applicable standard repair practices.

**1. Bushing Replacement**

- A. Remove bushings (IPL Fig. 1 345, 347, 349 and IPL Fig. 7 464, 468, 472))
- B. Check hole for damage or corrosion and repair if necessary. Refer to paragraph 2, Repair.
- C. Install replacement bushings (IPL Fig. 1 345, 347, 349, and IPL Fig. 7, 464, 468, 472) as given in SOPM 20-50-03. Use BMS 5-95 sealant.
- D. Machine bushings as given in Fig. 601.
- E. Fillet seal bushing flanges with BMS 5-95 sealant material.
- F. Apply a top coat BMS 5-95 sealant over the BMS 10-60 BAC707 gray gloss enamel.

**2. Repair**

- A. Repair hole for bushing (IPL Fig. 1 345, 349, and IPL Fig. 7 464, 468, 472).
  - (1) Machine fitting (IPL Fig. 1 351, 352, and IPL Fig. 7 476A, 480A), as necessary to remove discrepancies, as given in Fig. 601.
  - (2) Penetrant check as given in SOPM 20-20-02.
  - (3) Shot peen bore(s) as given in SOPM 20-10-03 and Fig. 601.
  - (4) Refinish as given in paragraph 3.A..
  - (5) Fabricate oversize bushing(s) as given in Fig. 602 and 603.

**3. Refinish**

- A. Fittings (IPL Fig. 1 351, 351A, 352, 352A, and IPL Fig. 7 476A, 476, 480A and 480) -- Chromic acid anodize, as given in SOPM 20-43-02 and apply one coat BMS 10-11, type 1 primer (F-18.13). Apply BMS 10-60, BAC707 gray gloss enamel (SRF 14.9813). Omit primer and enamel from holes for bushings. Material: Aluminum alloy.

**55-40-13**

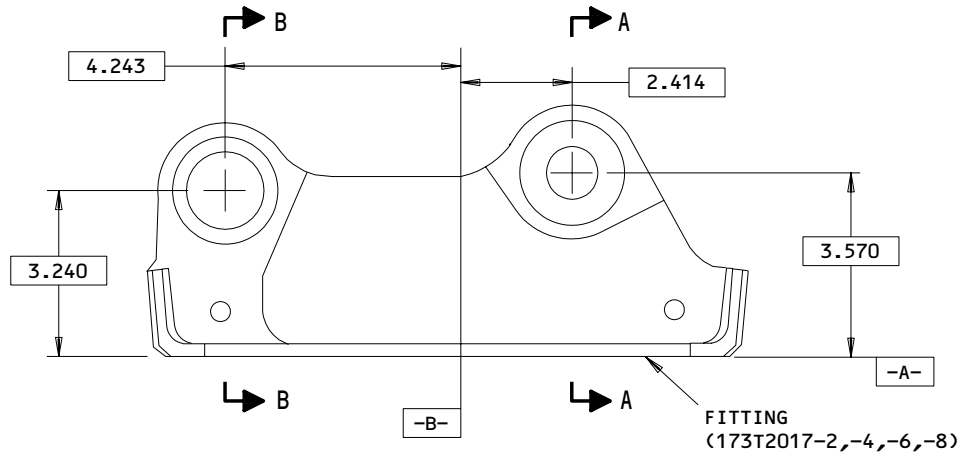
REPAIR 1-1

01.1

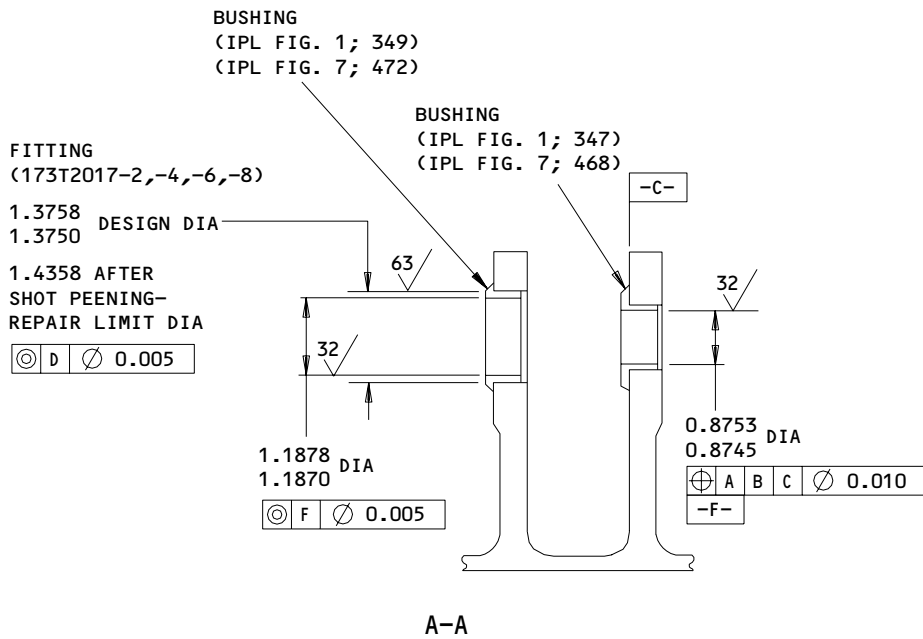
Page 601

Nov 01/00





173T2017-1,-3,-5,-7 SHOWN



173T2017-1,-3,-5,-7  
 Bushing Replacement  
 Figure 601 (Sheet 1)

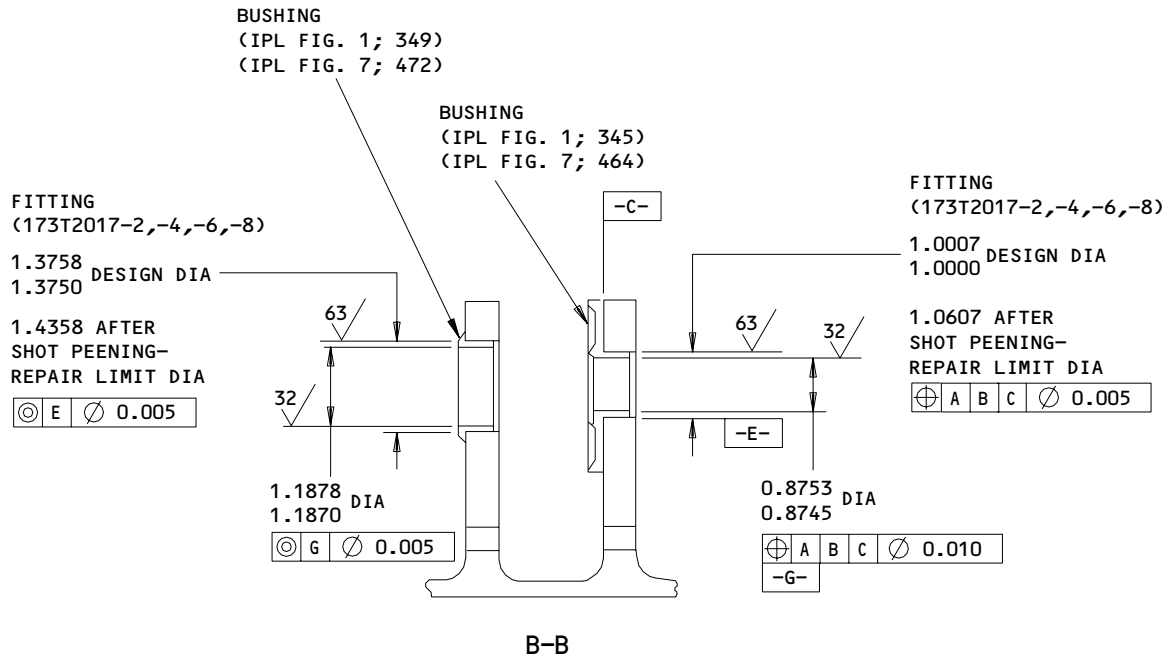
**55-40-13**

REPAIR 1-1

Page 602

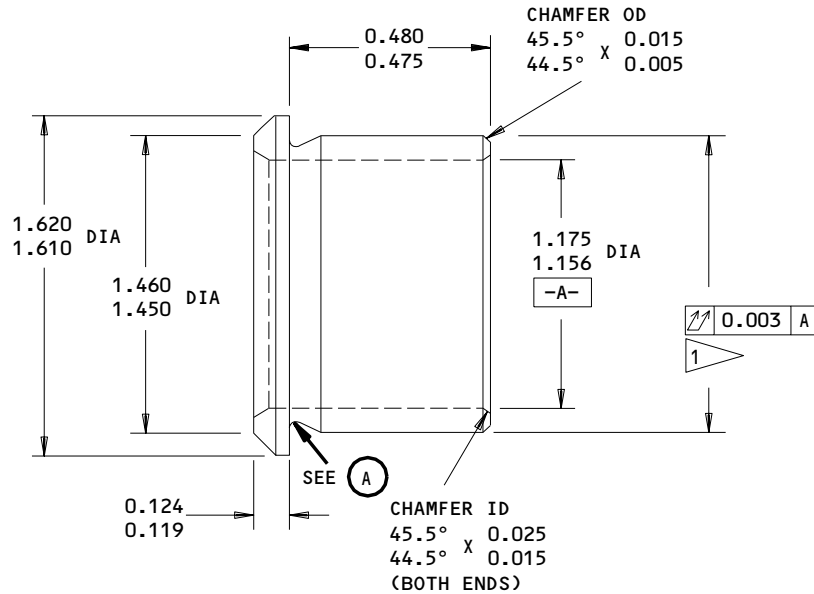
Nov 01/00

01.1

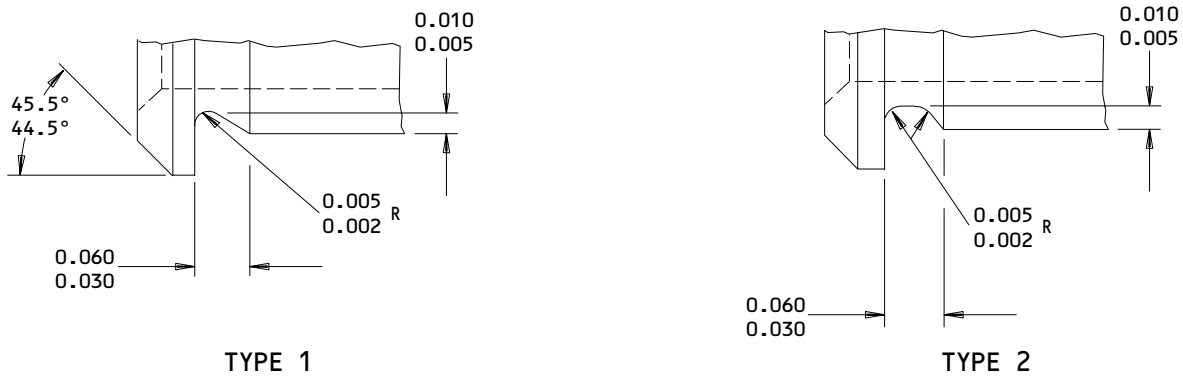


**REPAIR**  
 SHOT PEEN: 0.023-0.055 SHOT SIZE  
 0.012 A INTENSITY  
 2.0 COVERAGE  
 ALL DIMENSIONS ARE IN INCHES

173T2017-1,-3,-5,-7  
 Bushing Replacement  
 Figure 601 (Sheet 2)



**OVERSIZE REPLACEMENT FOR BUSHING**  
 (IPL FIG. 1; 349)  
 (IPL FIG. 7; 472)



**UNDERCUT - TYPE 1 OR TYPE 2 OPTIONAL**

(A)

1 FINISH DIAMETER (REPAIR DIAMETER OF FITTING PLUS 0.0009-0.0025 INTERFERENCE)

63/ ALL MACHINED SURFACES UNLESS SHOWN DIFFERENTLY

MATERIAL: AL-NI-BR AS SHOWN IN AMS 4640

FINISH: CADMIUM PLATE AS SHOWN IN SOPM 20-42-05, TYPE 2, CLASS 2, PLATING IN BORE OPTIONAL

ALL DIMENSIONS ARE IN INCHES

**Oversize Bushing Details**  
**Figure 602**

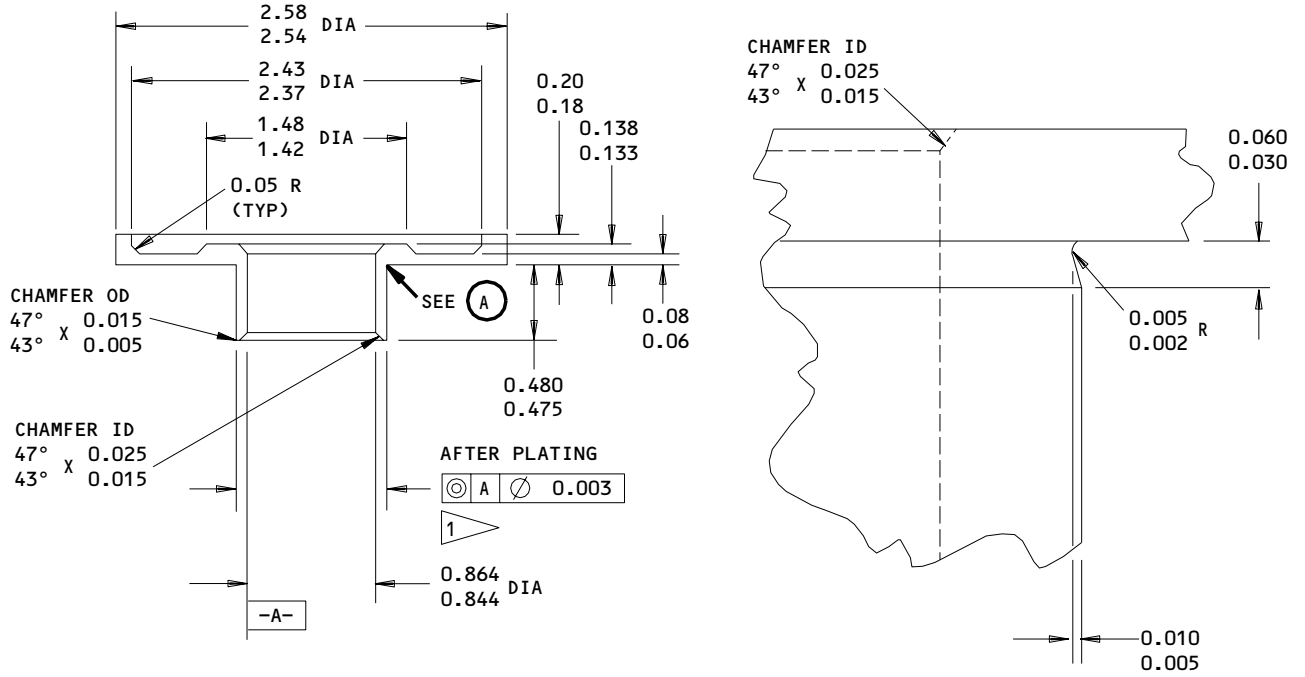
**55-40-13**

REPAIR 1-1

01.1

Page 604

Nov 01/00



OVERSIZE REPLACEMENT FOR BUSHING  
 (IPL FIG. 1; 345)  
 (IPL FIG. 7; 464)

(A)

1 FINISH DIAMETER (REPAIR DIAMETER OF FITTING PLUS 0.0007-0.0021 INTERFERENCE)

63/ ALL MACHINED SURFACES UNLESS SHOWN DIFFERENTLY

MATERIAL: 15-5PH CRES, 180-200 KSI

MAGNETIC PARTICLE INSPECT AS SHOWN IN SOPM 20-20-01, CLASS A, AFTER MACHINING

FINISH: CAD PLATE (0.0002 TO 0.0004 INCH) AS SHOWN IN SOPM 20-42-05, TYPE 2, CLASS 3, EXCEPT ON INSIDE DIAMETER

ALL DIMENSIONS ARE IN INCHES

Oversize Bushing Details  
 Figure 603

**55-40-13**

REPAIR 1-1

01.1

Page 605

Nov 01/00

FITTING ASSEMBLY – REPAIR 2-1  
173T2019-1, -3

NOTE: Refer to REPAIR-GENERAL for list of applicable standard practices.

1. Bushing Replacement

- A. Remove bushings (IPL Fig. 1 301, 303, 305, and IPL Fig. 7 416, 420, 424).
- B. Check hole for damage or corrosion and repair if necessary. Refer to paragraph 2, Repair.
- C. Install replacement bushings (IPL Fig. 1 and 5 301, 303, 305) as given in SOPM 20-50-03. Use BMS 5-95 sealant.
- D. Machine bushings as given in Fig. 601.
- E. Fillet seal bushing flanges with BMS 5-95 sealant material.
- F. Apply a top coat of BMS 10-60 BAC707 gray gloss enamel over the BMS 5-95 sealant.

2. Repair

- A. Repair hole for bushing (IPL Fig. 1 301, 305, and IPL Fig. 7 416, 424).
  - (1) Machine fitting (IPL Fig. 1 307A, 307 and IPL Fig. 7 428A, 428), as necessary to remove the discrepancies, as given in Fig. 601.
  - (2) Penetrant check as given in SOPM 20-20-02.
  - (3) Shot peen bore(s) assign in SOPM 20-10-03 and Fig. 601.
  - (4) Refinish as given in 3.A..
  - (5) Fabricate oversize bushing(s) as given in Fig. 602 and 603.

3. Refinish

- A. Fitting (IPL Fig. 1 307A, 307, and IPL Fig. 7 428A, 428) -- Chromic acid anodize, as given in SOPM 20-43-01 and apply one coat BMS 10-11, type 1 primer (F-18.13). Apply BMS 10-60, BAC707 gray gloss enamel (SRF 14.9813). Omit primer and enamel from holes for bushings. Material: Aluminum alloy.

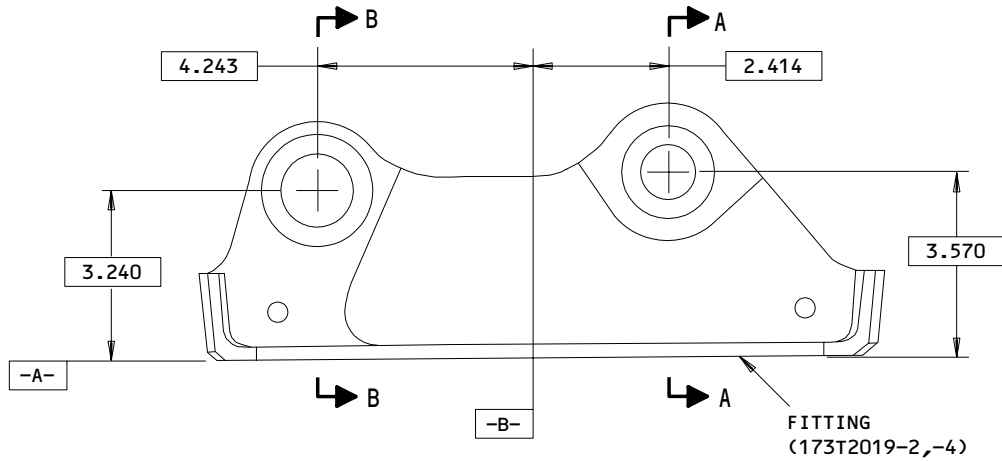
**55-40-13**

REPAIR 2-1

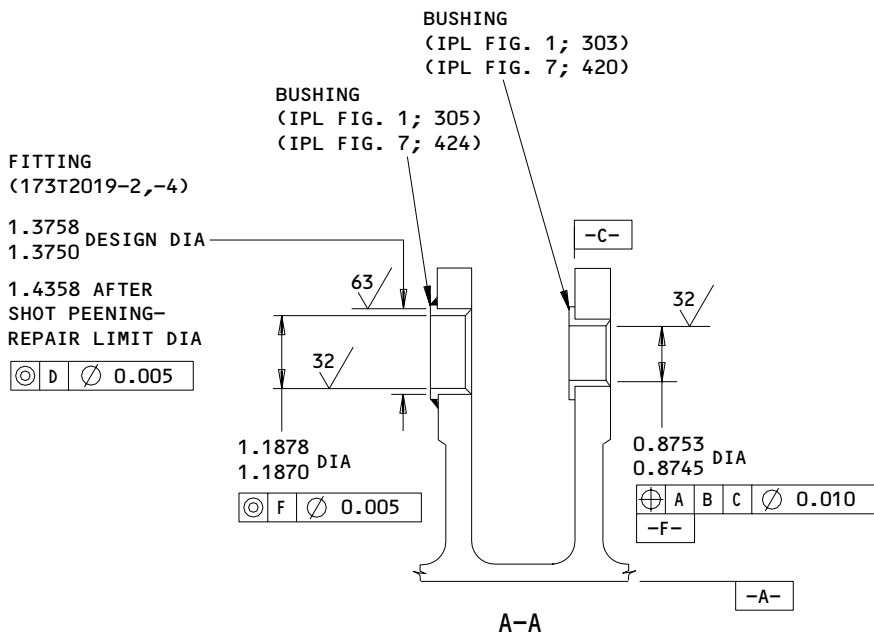
01.1

Page 601

Nov 01/00



173T2019-1,-3 SHOWN

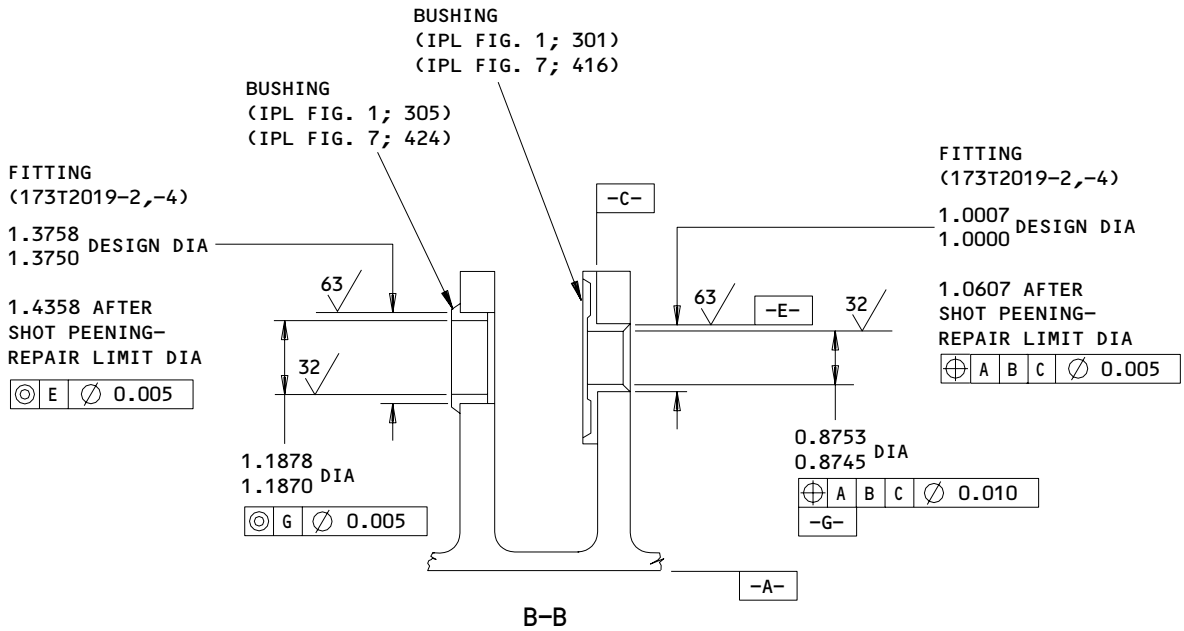


173T2019-1,-3  
 Bushing Replacement  
 Figure 601 (Sheet 1)

**55-40-13**

REPAIR 2-1  
 Page 602  
 Nov 01/00

01.1



**REPAIR**

SHOT PEEN: 0.023-0.055 SHOT SIZE  
 0.012 A INTENSITY  
 2.0 COVERAGE

ALL DIMENSIONS ARE IN INCHES

173T2019-1,-3  
 Bushing Replacement  
 Figure 601 (Sheet 2)

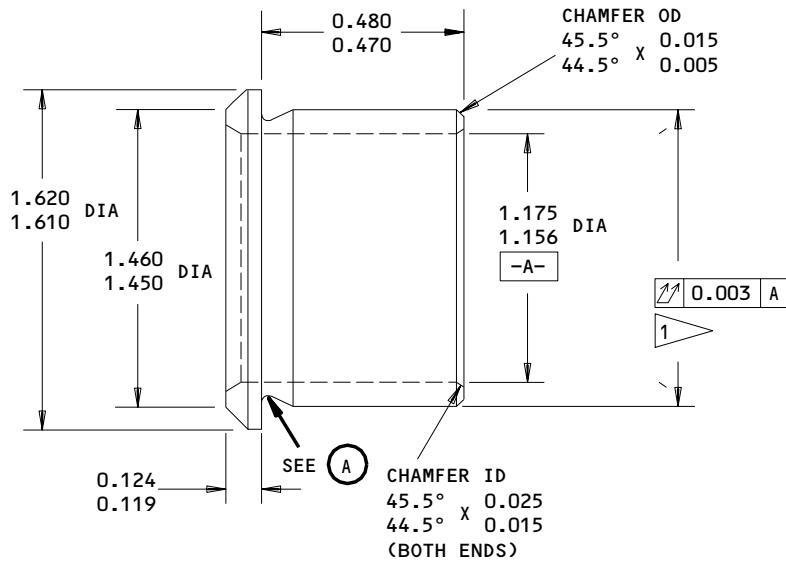
**55-40-13**

REPAIR 2-1

01.1

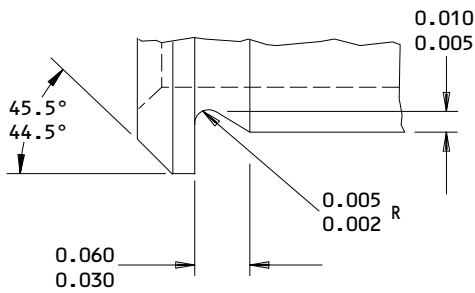
Page 603

Nov 01/00

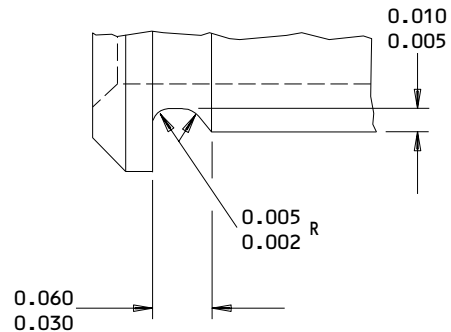


**OVERSIZE REPLACEMENT FOR BUSHING**  
 (IPL FIG. 1; 305)  
 (IPL FIG. 7; 424)

(A)



TYPE 1



TYPE 2

UNDERCUT - TYPE 1 OR TYPE 2 OPTIONAL

1 FINISH DIAMETER (REPAIR DIAMETER OF FITTING PLUS 0.0009-0.0025 INTERFERENCE)

63/ ALL MACHINED SURFACES UNLESS SHOWN DIFFERENTLY

MATERIAL: AL-NI-BR PER AMS 4640

FINISH: CADMIUM PLATE AS SHOWN IN SOPM 20-42-05, TYPE 2, CLASS 2, PLATING IN BORE OPTIONAL

ALL DIMENSIONS ARE IN INCHES

Oversize Bushing Details  
 Figure 602

**55-40-13**

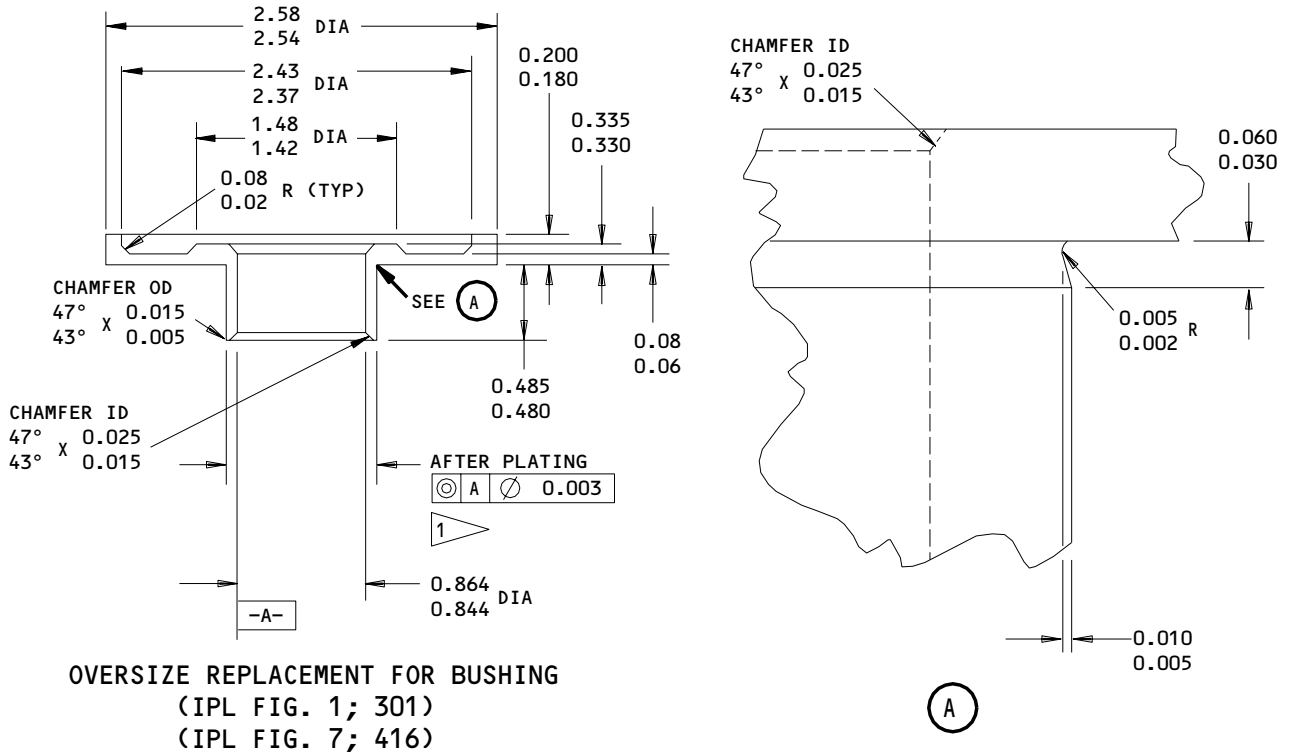
REPAIR 2-1

01.1

Page 604

Nov 01/00





1 FINISH DIAMETER (REPAIR DIAMETER OF FITTING PLUS 0.0007-0.0021 INTERFERENCE)

63/ ALL MACHINED SURFACES UNLESS SHOWN DIFFERENTLY

MATERIAL: 15-5PH CRES, 180-200 KSI

MAGNETIC PARTICLE INSPECT AS SHOWN IN SOPM 20-20-01, CLASS A, AFTER MACHINING

FINISH: CAD PLATE (0.0002 TO 0.0004 INCH) AS SHOWN IN SOPM 20-42-05, TYPE 2, CLASS 3 EXCEPT ON INSIDE DIAMETER

ALL DIMENSIONS ARE IN INCHES

Oversize Bushing Details  
 Figure 603

**55-40-13**

REPAIR 2-1

01.1

Page 605

Nov 01/00

FITTING ASSEMBLY – REPAIR 3-1

173T2039-1, -3, -5, -7

**NOTE:** Refer to REPAIR-GENERAL for list of applicable standard practices.

 1. Bushing Replacement

- A. Remove bushings (IPL Fig. 1 225, 227, 239, 241 and IPL Fig. 7 232, 236, 260, 264).
- B. Check hole for damage or corrosion and repair if necessary. Refer to paragraph 2, Repair.
- C. Install replacement bushings (IPL Fig. 1 225, 227, 239, 241 and IPL Fig. 7 232, 236, 260, 264) as given in SOPM 20-50-03 with BMS 5-95 sealant.
- D. Machine bushings as given in Fig. 601.
- E. Fillet seal bushing flanges with BMS 5-95 sealant.
- F. Apply a top coat of BMS 10-60 BAC707 gray gloss enamel over the BMS 5-95 sealant.

 2. Repair

- A. Repair hole for bushing (IPL Fig. 1 225, 227, 239, 241, and IPL Fig. 7 232, 236, 260, 264).
  - (1) Machine fitting (IPL Fig. 1 229, 229A, 243, 243A, and IPL Fig. 7 240A, 240, 268A, 268), as necessary to remove discrepancies, as given in Fig. 601.
  - (2) Penetrant check as given in SOPM 20-20-02.
  - (3) Shot peen bore(s) as given in SOPM 20-10-03 and Fig. 601.
  - (4) Refinish as given in paragraph 3.A..
  - (5) Fabricate oversize bushing(s) as given in Fig. 602 and 603.

 3. Refinish

- A. Fittings (IPL Fig. 1 229, 229A, 243, 243A and IPL Fig. 7 240A, 240, 268A, 268) -- Chromic acid anodize, as given in SOPM 20-43-01 and apply one coat BMS 10-11, primer (F-18.13). Apply BMS 10-60, BAC707 gray gloss enamel (SRF-14.9813). Omit primer and enamel from holes for bushings.  
Material: Aluminum alloy.

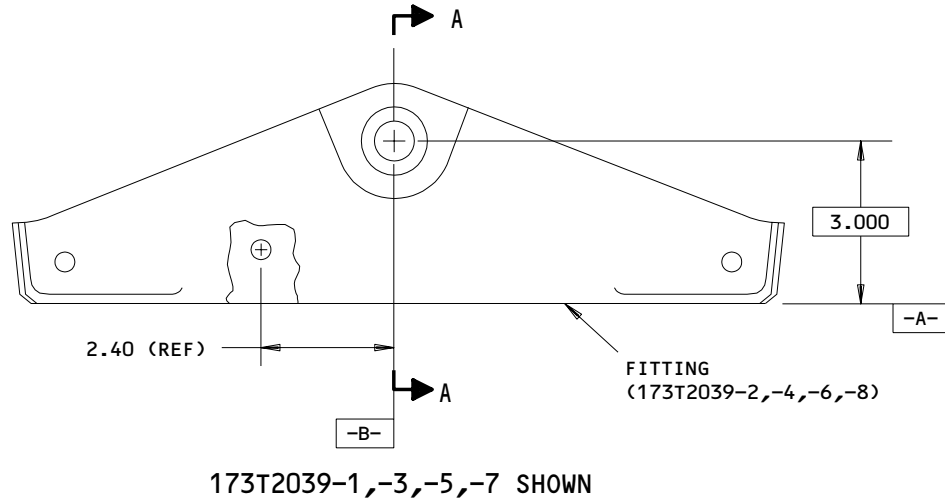
**55-40-13**

REPAIR 3-1

01.1

Page 601

Nov 01/00



FITTING  
 (173T2039-2,-4,-6,-8)

0.8132 DESIGN DIA  
 0.8125

0.8732 AFTER  
 SHOT PEENING-  
 REPAIR LIMIT DIA

⊙ D ∅ 0.005

BUSHING  
 (IPL FIG. 1; 275,239)  
 (IPL FIG. 7; 232,260)

BUSHING  
 (IPL FIG. 1; 227,241)  
 (IPL FIG. 7; 236,264)

0.6877 DIA  
 0.6870

⊙ E ∅ 0.005

FITTING  
 (173T2039-2,-4,-6,-8)

0.6256 DESIGN DIA  
 0.6250

0.6856 AFTER  
 SHOT PEENING-  
 REPAIR LIMIT DIA

⊙ A B C ∅ 0.005

0.5007 DIA  
 0.5000

⊙ A B C ∅ 0.010

A-A

SHOT PEEN: 0.023-0.055 SHOT SIZE  
 0.008 A INTENSITY  
 2.0 COVERAGE

ALL DIMENSIONS ARE IN INCHES

173T2039-1,-3,-5,-7  
 Bushing Replacement  
 Figure 601

**55-40-13**

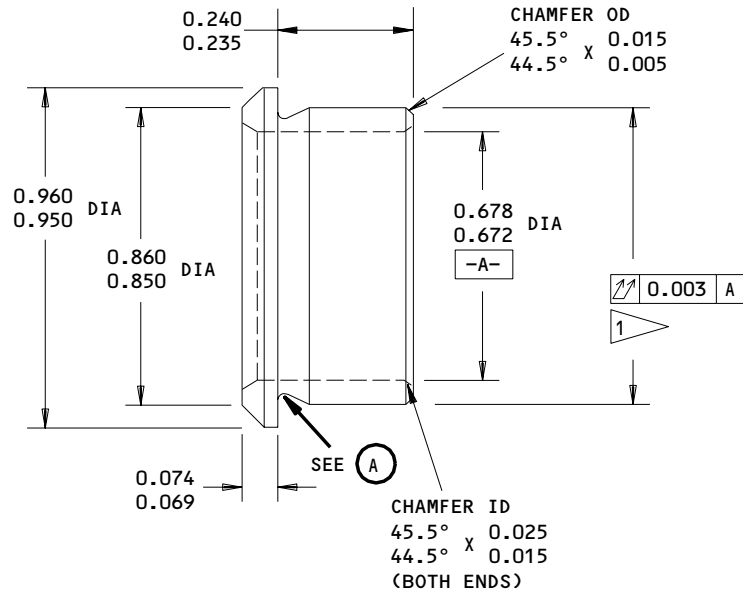
REPAIR 3-1

01.1

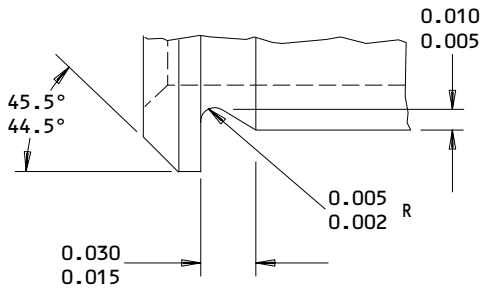
Page 602

Nov 01/00

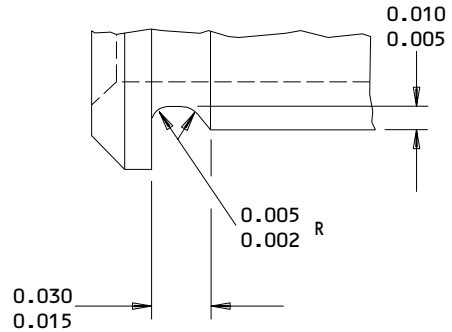
**BOEING**  
**COMPONENT**  
**MAINTENANCE MANUAL**



**OVERSIZE REPLACEMENT FOR BUSHING**  
 (IPL FIG. 1; 227,241)  
 (IPL FIG. 7; 236,264)



**TYPE 1**



**TYPE 2**

**UNDERCUT - TYPE 1 OR TYPE 2 OPTIONAL**

**(A)**

**1** FINISH DIAMETER (REPAIR DIAMETER OF FITTING PLUS 0.0005-0.0019 INTERFERENCE)

**63** ALL MACHINED SURFACES UNLESS SHOWN DIFFERENTLY

**MATERIAL:** AL-NI-BR AS SHOWN IN AMS 4640

**FINISH:** CADMIUM PLATE AS SHOWN IN SOPM 20-42-05, TYPE 2, CLASS 2, PLATING IN BORE OPTIONAL

ALL DIMENSIONS ARE IN INCHES

**Oversize Bushing Details**  
**Figure 602**

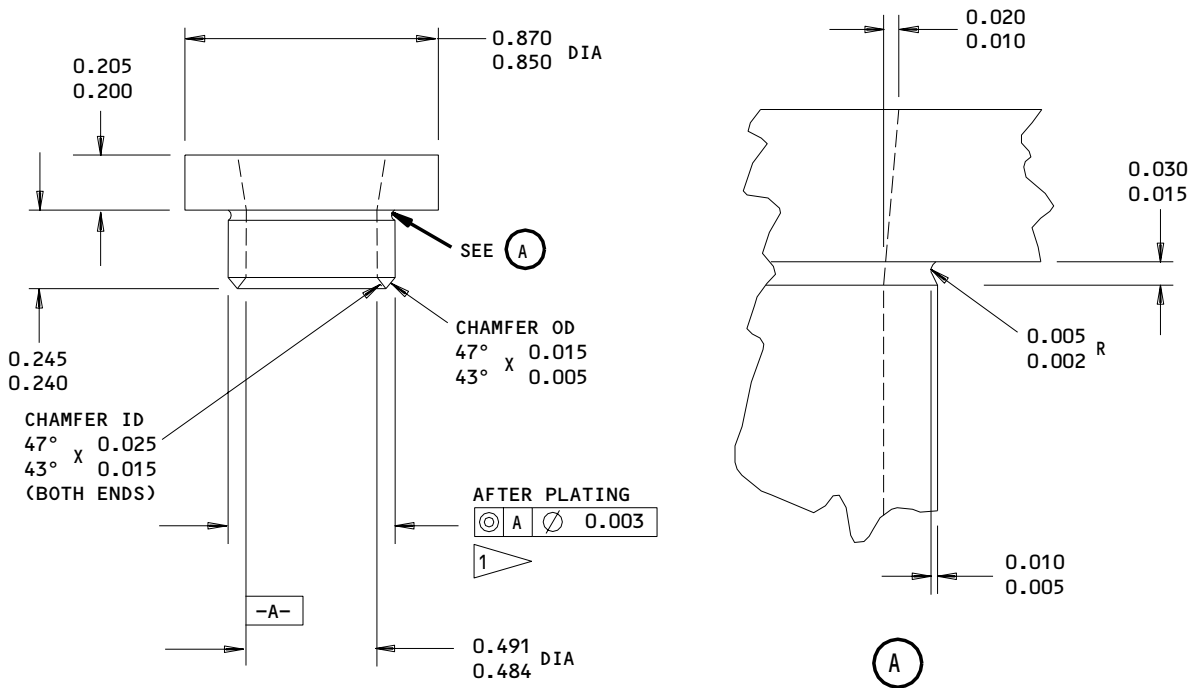
**55-40-13**

REPAIR 3-1

01.1

Page 603

Nov 01/00



**OVERSIZE REPLACEMENT FOR BUSHING**  
 (IPL FIG. 1; 225,239)  
 (IPL FIG. 7; 232,260)

1 FINISH DIAMETER (REPAIR DIAMETER OF FITTING PLUS 0.0005-0.0017 INTERFERENCE)

63/ ALL MACHINED SURFACES UNLESS SHOWN DIFFERENTLY

MATERIAL: 15-5PH CRES, 180-200 KSI

MAGNETIC PARTICLE INSPECT AS SHOWN IN SOPM 20-20-01, CLASS A, AFTER MACHINING

FINISH: CADMIUM PLATE (0.0002 TO 0.0004 INCH) AS SHOWN IN SOPM 20-42-05, TYPE 2, CLASS 3, EXCEPT ON INSIDE DIAMETER

ALL DIMENSIONS ARE IN INCHES

**Oversize Bushing Details**  
**Figure 603**

**55-40-13**

REPAIR 3-1

01.1

Page 604

Nov 01/00

FITTING ASSEMBLY – REPAIR 4-1

173T2041-1, -3, -5, -7

**NOTE:** Refer to REPAIR-GENERAL for list of applicable standard practices.

**1. Bushing Replacement**

- A. Remove bushings (IPL Fig. 1 279, 281, and IPL Fig. 7 368, 372).
- B. Check hole for damage or corrosion and repair if necessary. Refer to paragraph 2, Repair.
- C. Install replacement bushings (IPL Fig. 1 279, 281 and IPL Fig. 7 368, 372) as given in SOPM 20-50-03 using BMS 5-95 sealant.
- D. Machine bushings as given in Fig. 601.
- E. Fillet seal bushing flanges with BMS 5-95 sealant material.
- F. Apply a top coat of BMS 10-60 BAC707 gray gloss enamel over the BMS 5-95.

**2. Repair**

- A. Repair hole for bushing (IPL Fig. 1 279, 281, and IPL Fig. 7 368, 372).
  - (1) Machine fitting (IPL Fig. 1 281G, 281H, 281J, 281K, 283, 283A, 284, 284A and IPL Fig. 7 376A, 376, 380A, 380), as necessary to remove discrepancies, as given in Fig. 601.
  - (2) Penetrant check as given in SOPM 20-20-02.
  - (3) Shot peen bore(s) as given in SOPM 20-10-03 and Fig. 601.
  - (4) Refinish as given in paragraph 3.A..
  - (5) Fabricate oversize bushing(s) as given in Fig. 602 and 603.

**3. Refinish**

- A. Fittings (IPL Fig. 1 281G, 281H, 281J, 281K, 283, 283A, 284, 284A and IPL Fig. 7 376A, 376, 380A, 380) -- Chromic acid anodize, as given in SOPM 20-43-01 and apply one coat BMS 10-11, type 1 primer (F-18.13). Apply BMS 10-60, BAC707 gray gloss enamel (SRF 14.9813). Omit primer and enamel from holes for bushings. Material: Aluminum alloy.

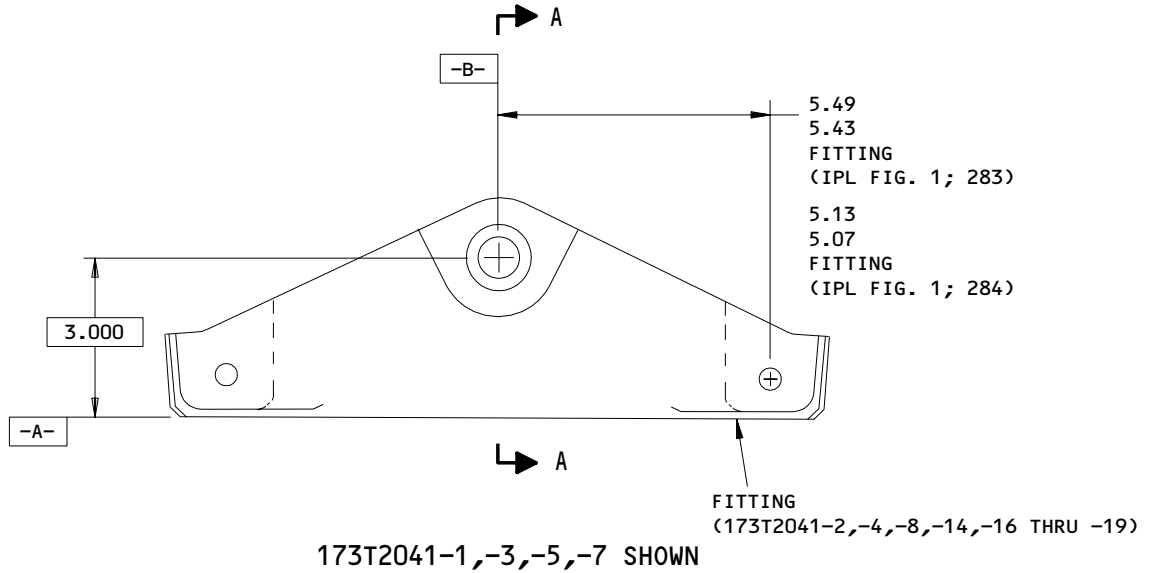
**55-40-13**

REPAIR 4-1

01.1

Page 601

Nov 01/00



FITTING  
 (173T2041-2,-4,-8,-14,-16 THRU -19)

1.0007 DESIGN DIA  
 1.0000

1.0607 AFTER  
 SHOT PEENING-  
 REPAIR LIMIT DIA

⊙ D ⌀ 0.005

BUSHING  
 (IPL FIG. 1; 281)  
 (IPL FIG. 7; 372)

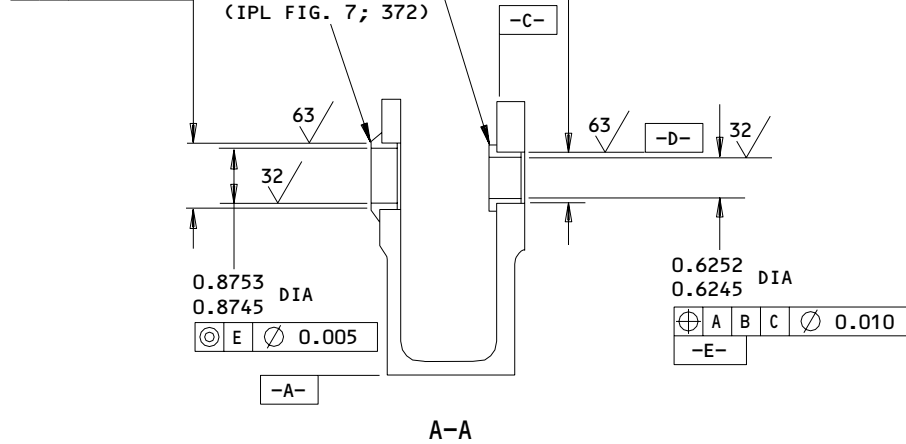
BUSHING  
 (IPL FIG. 1; 279)  
 (IPL FIG. 7; 368)

FITTING  
 (173T2041-2,-4,-8,-14,-16 THRU -19)

0.7507 DESIGN DIA  
 0.7500

0.8107 AFTER  
 SHOT PEENING-  
 REPAIR LIMIT DIA

⊕ A B C ⌀ 0.005



**REPAIR**

SHOT PEEN: 0.023-0.055 SHOT SIZE  
 0.008 A INTENSITY  
 2.0 COVERAGE

ALL DIMENSIONS ARE IN INCHES

173T2041-1,-3,-5,-7  
 Bushing Replacement  
 Figure 601

**55-40-13**

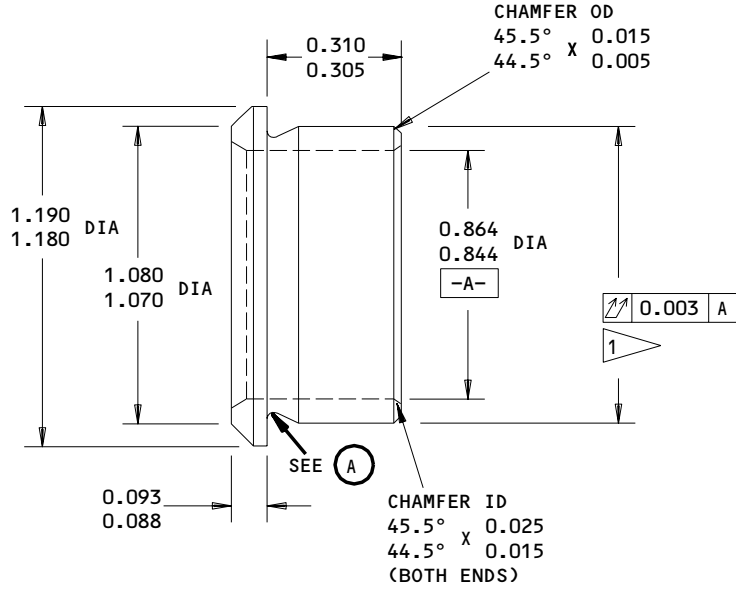
REPAIR 4-1

Page 602

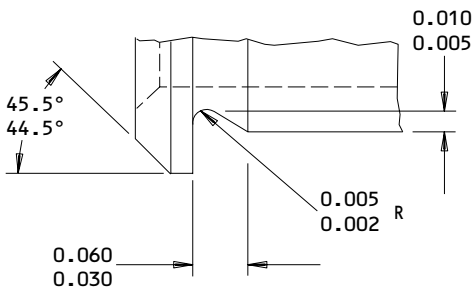
Nov 01/00

01.1

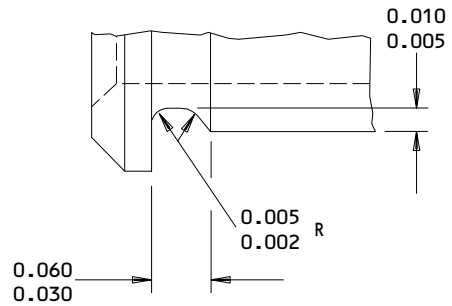
**BOEING**  
**COMPONENT**  
**MAINTENANCE MANUAL**



OVERSIZE REPLACEMENT FOR BUSHING  
 (IPL FIG. 1; 281)  
 (IPL FIG. 7; 372)



TYPE 1



TYPE 2

UNDERCUT - TYPE 1 OR TYPE 2 OPTIONAL



1 FINISH DIAMETER (REPAIR DIAMETER OF FITTING PLUS 0.0007-0.0021 INTERFERENCE)

63/ ALL MACHINED SURFACES UNLESS SHOWN DIFFERENTLY

MATERIAL: AL-NI-BR AS SHOWN IN AMS 4640

FINISH: CADMIUM PLATE AS SHOWN IN SOPM 20-42-05, TYPE 2, CLASS 2, PLATING IN BORE OPTIONAL

ALL DIMENSIONS ARE IN INCHES

Oversize Bushing Details  
 Figure 602

**55-40-13**

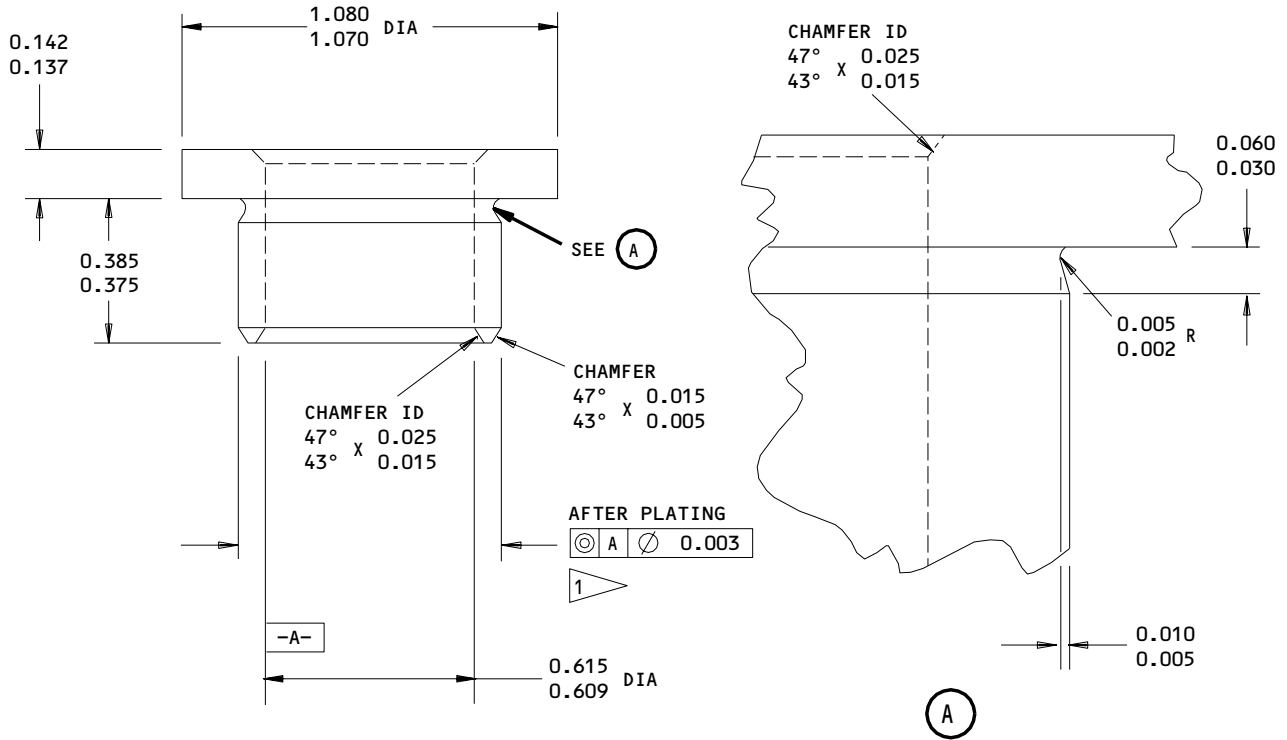
REPAIR 4-1

01.1

Page 603

Nov 01/00





**OVERSIZE REPLACEMENT FOR BUSHING**  
 (IPL FIG. 1; 279)  
 (IPL FIG. 7; 368)

1 FINISH DIAMETER (REPAIR DIAMETER OF FITTING PLUS 0.0005-0.0019 INTERFERENCE)

63/ ALL MACHINED SURFACES UNLESS SHOWN DIFFERENTLY

MATERIAL: 15-5PH CRES, 180-200 KSI

MAGNETIC PARTICLE INSPECT AS SHOWN IN SOPM 20-20-01, CLASS A, AFTER MACHINING

FINISH: CADMIUM PLATE (0.0002 TO 0.0004 INCH) AS SHOWN IN SOPM 20-42-05, TYPE 2, CLASS 3, EXCEPT ON INSIDE DIAMETER

ALL DIMENSIONS ARE IN INCHES

**Oversize Bushing Details**  
**Figure 603**

**55-40-13**

REPAIR 4-1

01.1

Page 604

Nov 01/00

FITTING ASSEMBLY – REPAIR 5-1

173T2043-1, -3

**NOTE:** Refer to REPAIR-GENERAL for list of applicable standard practices.

1. Bushing Replacement

- A. Remove bushings (IPL Fig. 1 427, 429 and IPL Fig. 7 600, 604).
- B. Check hole for damage or corrosion and repair if necessary. Refer to paragraph 2, Repair.
- C. Install replacement bushings (IPL Fig. 1 427, 429 and IPL Fig. 7 600, 604) as given in SOPM 20-50-03 with BMS 5-95 sealant.
- D. Machine bushings as given in Fig. 601.
- E. Fillet seal bushing flanges with BMS 5-95 sealant.
- F. Apply a top coat of BMS 10-60 BAC707 gray gloss enamel over the BMS 5-95.

2. Repair

- A. Repair hole for bushing (IPL Fig. 1 427, 429 and IPL Fig. 7 600, 604).
  - (1) Machine fitting (IPL Fig. 1 431A, 431 and IPL Fig. 7 608A, 608), as necessary to remove discrepancies, as given in Fig. 601.
  - (2) Penetrant check as given in SOPM 20-20-02.
  - (3) Shot peen bore(s) as given in SOPM 20-10-03 and Fig. 601.
  - (4) Refinish as given in paragraph 3.A..
  - (5) Fabricate oversize bushing(s) as given in Fig. 602 and 603.

3. Refinish

- A. Fitting (IPL Fig. 1 431A, 431 and IPL Fig. 7 608A, 608) -- Chromic acid anodize, as given in SOPM 20-43-01 and apply one coat BMS 10-11, type 1 primer (F-18.13). Apply BMS 10-60, BAC707 gray gloss enamel (SRF 14.9813). Omit primer and enamel from holes for bushings. Material: Aluminum alloy.

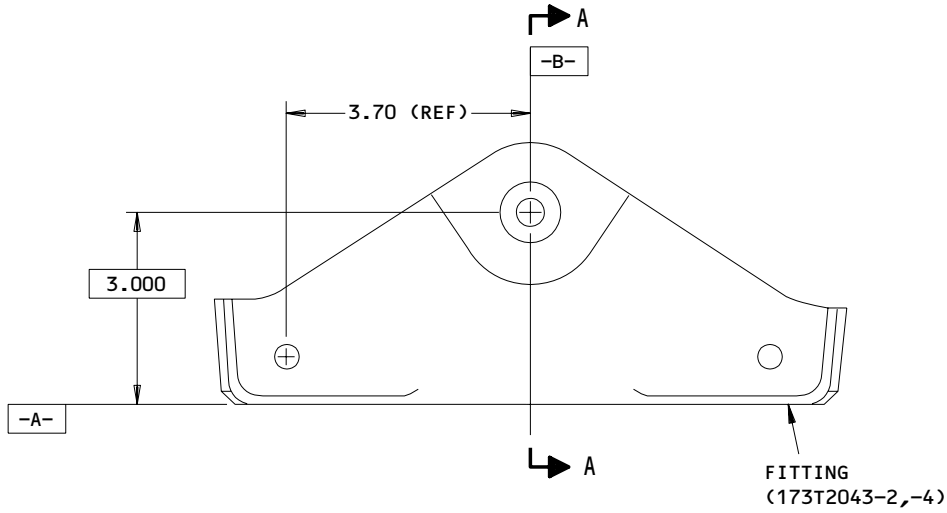
**55-40-13**

REPAIR 5-1

01.1

Page 601

Nov 01/00



173T2043-1,-3 SHOWN

FITTING  
 (173T2043-2,-4)

0.8132 DESIGN DIA  
 0.8125

0.8732 AFTER  
 SHOT PEENING-  
 REPAIR LIMIT DIA

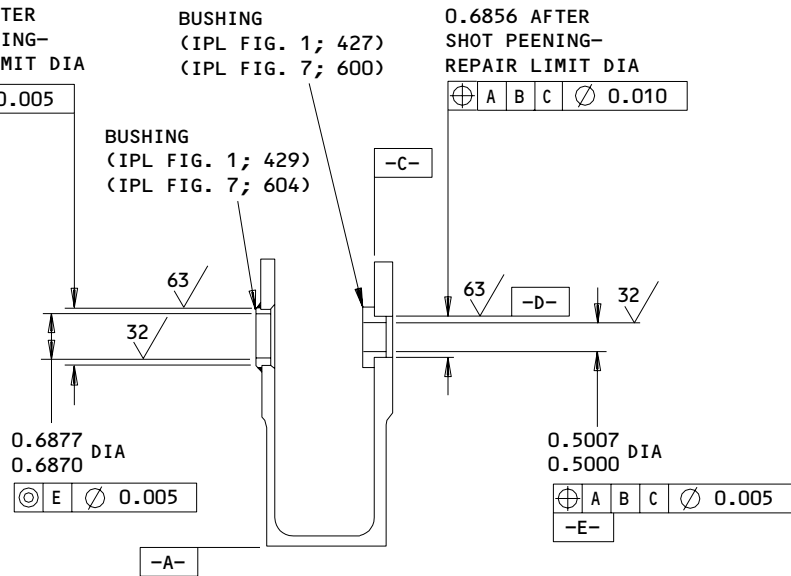
⊙ D ⌀ 0.005

FITTING  
 (173T2043-2,-4)

0.6256 DESIGN DIA  
 0.6250

0.6856 AFTER  
 SHOT PEENING-  
 REPAIR LIMIT DIA

⊕ A B C ⌀ 0.010



A-A

SHOT PEEN: 0.023-0.055 SHOT SIZE  
 0.006 A INTENSITY  
 2.0 COVERAGE

ALL DIMENSIONS ARE IN INCHES

173T2043-1,-3  
 Bushing Replacement  
 Figure 601

**55-40-13**

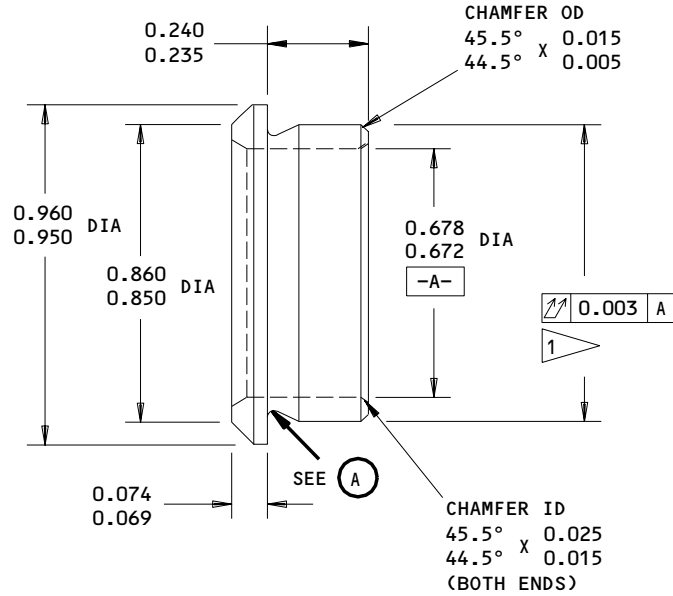
REPAIR 5-1

Page 602

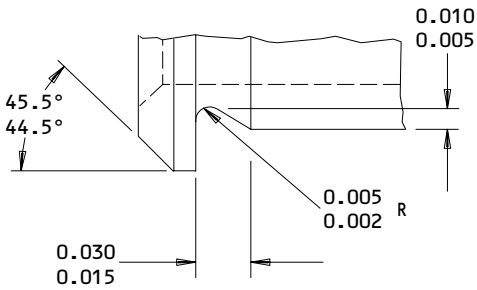
Nov 01/00

01.1

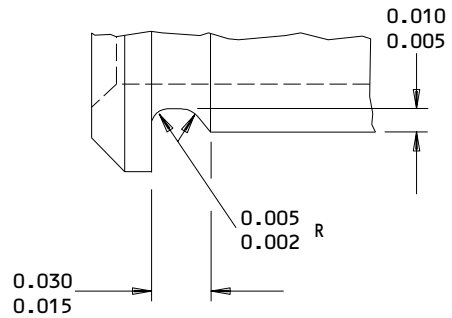
**BOEING**  
**COMPONENT**  
**MAINTENANCE MANUAL**



**OVERSIZE REPLACEMENT FOR BUSHING**  
 (IPL FIG. 1; 429)  
 (IPL FIG. 7; 604)



**TYPE 1**



**TYPE 2**

**UNDERCUT - TYPE 1 OR TYPE 2 OPTIONAL**



1 FINISH DIAMETER (REPAIR DIAMETER OF FITTING PLUS 0.0005-0.0019 INTERFERENCE)

63/ ALL MACHINED SURFACES UNLESS SHOWN DIFFERENTLY

MATERIAL: AL-NI-BR AS SHOWN IN AMS 4640

FINISH: CADMIUM PLATE AS SHOWN IN SOPM 20-42-05, TYPE 2, CLASS 2, PLATING IN BORE OPTIONAL

ALL DIMENSIONS ARE IN INCHES

**Oversize Bushing Details**  
**Figure 602**

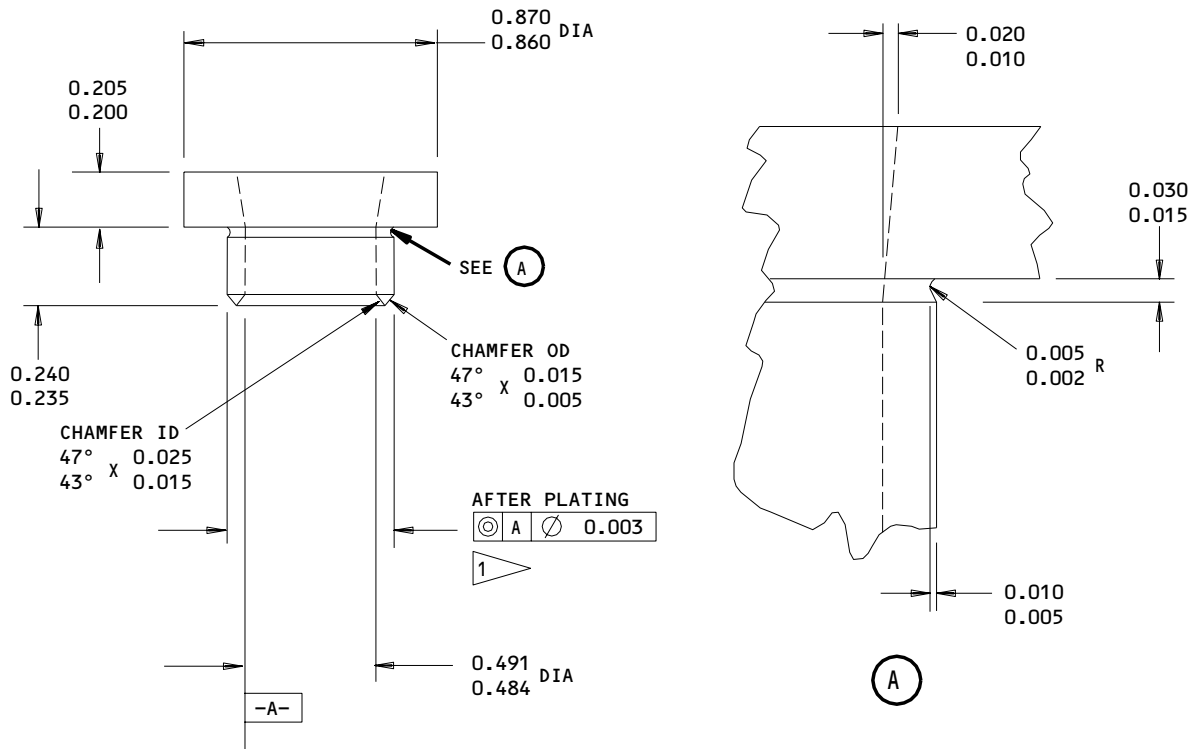
**55-40-13**

REPAIR 5-1

01.1

Page 603

Nov 01/00



**OVERSIZE REPLACEMENT FOR BUSHING**  
 (IPL FIG. 1; 427)  
 (IPL FIG. 7; 600)

**1** FINISH DIAMETER (REPAIR DIAMETER OF FITTING PLUS 0.0005-0.0017 INTERFERENCE)

**63** ALL MACHINED SURFACES UNLESS SHOWN DIFFERENTLY

MATERIAL: 15-5PH CRES, 180-200 KSI

MAGNETIC PARTICLE INSPECT AS SHOWN IN SOPM 20-20-01, CLASS A, AFTER MACHINING

FINISH: CADMIUM PLATE (0.0002 TO 0.0004 INCH) AS SHOWN IN SOPM 20-42-05, TYPE 2, CLASS 3 EXCEPT ON INSIDE DIAMETER

ALL DIMENSIONS ARE IN INCHES

Oversize Bushing Details  
 Figure 603

**55-40-13**

REPAIR 5-1

Page 604

Nov 01/00

01.1

FITTING ASSEMBLY – REPAIR 6-1

173T2045-1, -3

**NOTE:** Refer to REPAIR-GENERAL for list of applicable standard practices.

**1. Bushing Replacement**

- A. Remove bushings (IPL Fig. 1 427, 429 and IPL Fig. 7 600, 604).
- B. Check hole for damage or corrosion and repair if necessary. Refer to paragraph 2, Repair.
- C. Install replacement bushings (IPL Fig. 1 427, 429 and IPL Fig. 7 600, 604) as given in SOPM 20-50-03 with BMS 5-95 sealant.
- D. Machine bushings as given in Fig. 601.
- E. Fillet seal bushing flanges with BMS 5-95 sealant material.
- F. Apply a top coat sealant using BMS 10-60 BAC707 gray gloss enamel over the BMS 5-95.

**2. Repair**

- A. Repair hole for bushing (IPL Fig. 1 427, 429 and IPL Fig. 7 600, 604).
  - (1) Machine fitting (IPL Fig. 1 432, 432A and IPL Fig. 7 612A, 612), as necessary to remove discrepancies, as given in Fig. 601.
  - (2) Penetrant check as given in SOPM 20-20-02.
  - (3) Shot peen bore(s) as given in SOPM 20-10-03 and Fig. 601.
  - (4) Refinish as given in paragraph 3.A..
  - (5) Fabricate oversize bushing(s) as given in Fig. 602 and 603.

**3. Refinish**

- A. Fittings (IPL Fig. 1 432, 432A, and Fig. 7 612A, 612) -- Chromic acid anodize, as given in SOPM 20-43-01 and apply one coat BMS 10-11, type 1 primer (F-18.13). Apply BMS 10-60, BAC707 gray gloss enamel (SRF 14.9813). Omit primer and enamel from holes for bushings. Material: Aluminum alloy.

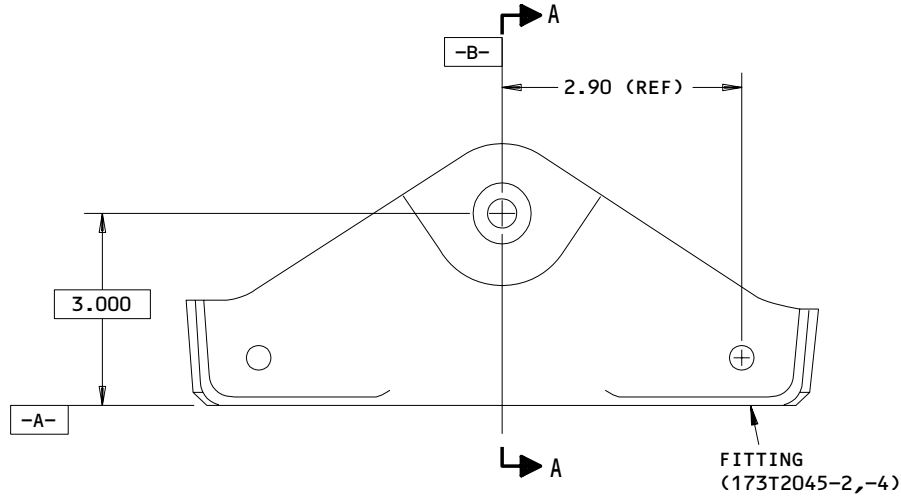
**55-40-13**

REPAIR 6-1

01.1

Page 601

Nov 01/00



173T2045-1,-3 SHOWN

FITTING  
 (173T2045-2,-4)

0.8132 DESIGN DIA  
 0.8125

0.8732 AFTER  
 SHOT PEENING-  
 REPAIR LIMIT DIA

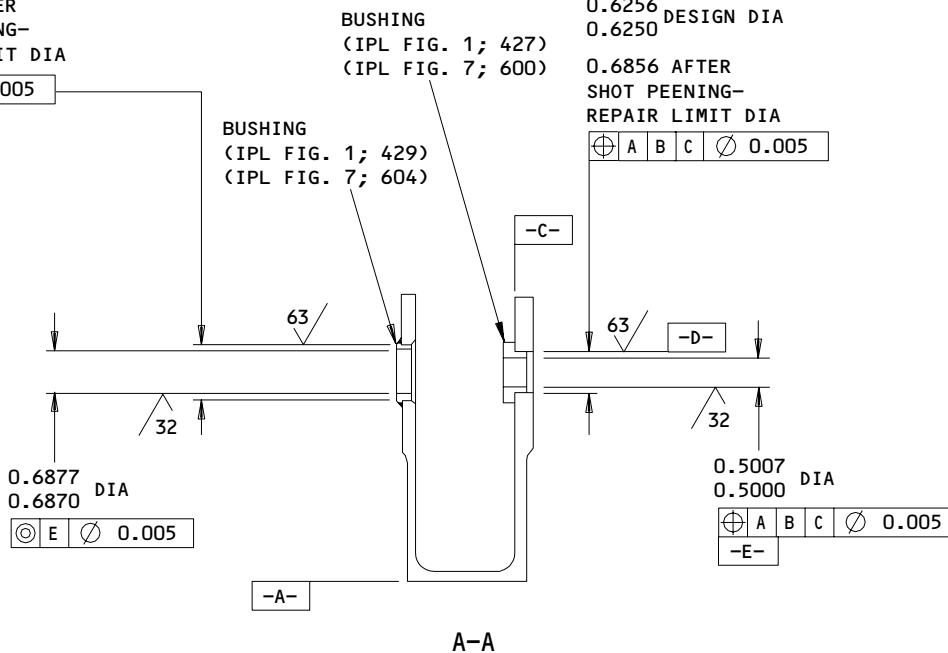
⊙ D ∅ 0.005

FITTING  
 (173T2045-2,-4)

0.6256 DESIGN DIA  
 0.6250

0.6856 AFTER  
 SHOT PEENING-  
 REPAIR LIMIT DIA

⊕ A B C ∅ 0.005



A-A

**REPAIR:**

SHOT PEEN: 0.023-0.055 SHOT SIZE  
 0.006 A INTENSITY  
 2.0 COVERAGE

ALL DIMENSIONS ARE IN INCHES

173T2045-1,-3  
 Bushing Replacement  
 Figure 601

**55-40-13**

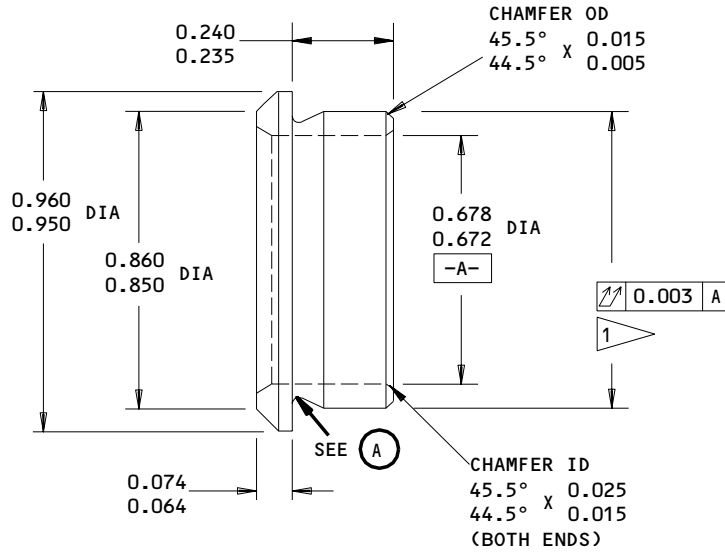
REPAIR 6-1

Page 602

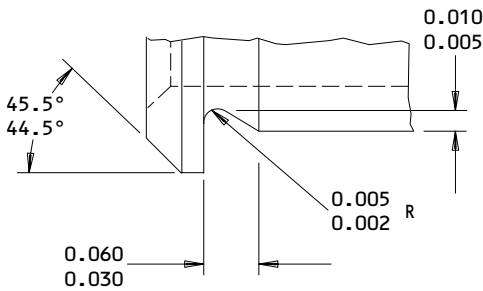
Nov 01/00

01.1

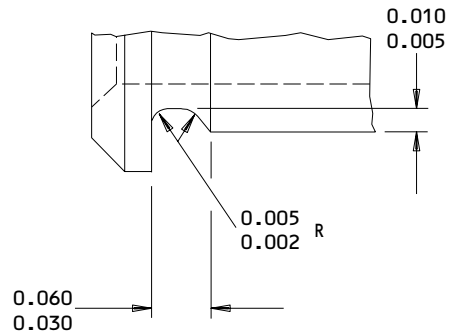
**BOEING**  
**COMPONENT**  
**MAINTENANCE MANUAL**



**OVERSIZE REPLACEMENT FOR BUSHING**  
 (IPL FIG. 1; 429)  
 (IPL FIG. 7; 604)



**TYPE 1**



**TYPE 2**

**UNDERCUT - TYPE 1 OR TYPE 2 OPTIONAL**



1 FINISH DIAMETER (REPAIR DIAMETER OF FITTING PLUS 0.0005-0.0019 INTERFERENCE)

63/ ALL MACHINED SURFACES UNLESS SHOWN DIFFERENTLY

MATERIAL: AL-NI-BR AS SHOWN IN AMS 4640

FINISH: CADMIUM PLATE AS SHOWN IN SOPM 20-42-05, TYPE 2, CLASS 2, PLATING IN BORE OPTIONAL

ALL DIMENSIONS ARE IN INCHES

**Oversize Bushing Details**  
**Figure 602**

**55-40-13**

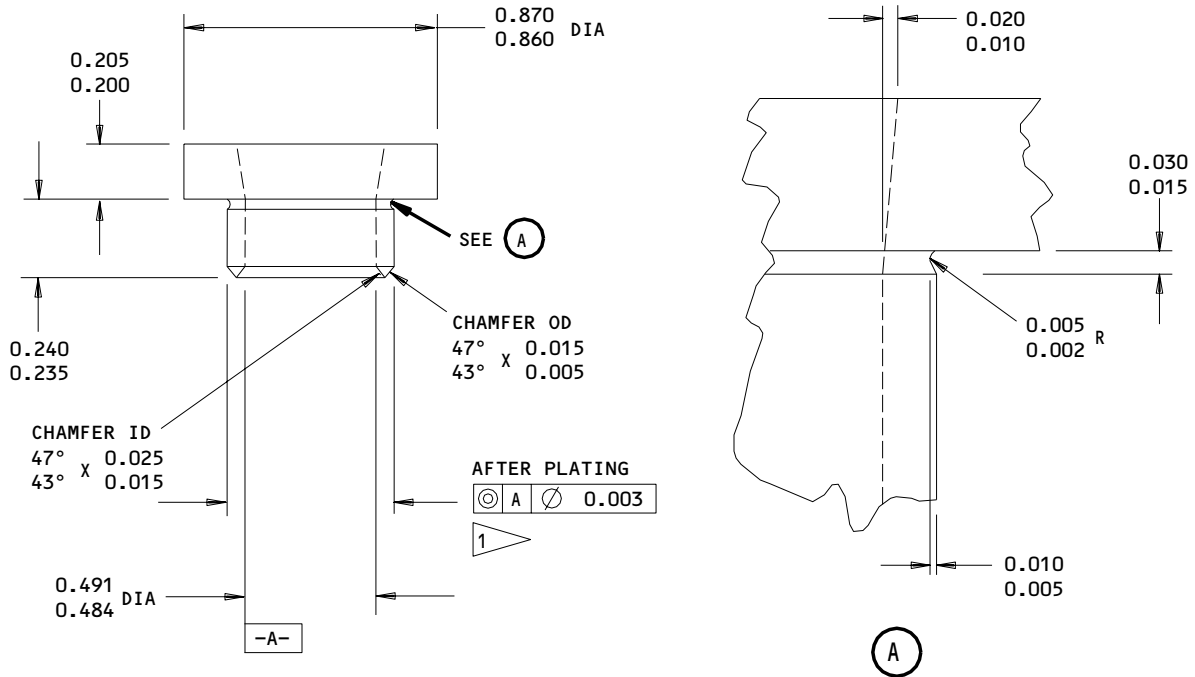
REPAIR 6-1

01.1

Page 603

Nov 01/00





**OVERSIZE REPLACEMENT FOR BUSHING  
 (IPL FIG. 1; 427)  
 (IPL FIG. 7; 600)**

**1** FINISH DIAMETER (REPAIR DIAMETER OF FITTING PLUS 0.0005-0.0017 INTERFERENCE)

**63** ALL MACHINED SURFACES UNLESS SHOWN DIFFERENTLY

MATERIAL: 15-5PH CRES, 180-200 KSI

MAGNETIC PARTICLE INSPECT AS SHOWN IN SOPM 20-20-01, CLASS A, AFTER MACHINING

FINISH: CADMIUM PLATE (0.0002 TO 0.0004 INCH) AS SHOWN IN SOPM 20-42-05, TYPE 2, CLASS 3, EXCEPT ON INSIDE DIAMETER

ALL DIMENSIONS ARE IN INCHES

Oversize Bushing Details  
 Figure 603

**55-40-13**

REPAIR 6-1

Page 604

Nov 01/00

01.1

FITTING ASSEMBLY – REPAIR 7-1

173T2046-1, -3

**NOTE:** Refer to REPAIR-GENERAL for list of applicable standard practices.

1. Bushing Replacement

- A. Remove bushings (IPL Fig. 1 473, 475 and IPL Fig. 7 640, 644).
- B. Check hole for damage or corrosion and repair if necessary. Refer to paragraph 2, Repair.
- C. Install replacement bushings (IPL Fig. 1 473, 475, and IPL Fig. 7 640, 644) as given in SOPM 20-50-03 using BMS 5-95 sealant.
- D. Machine bushings as given in Fig. 601.
- E. Fillet seal bushing flanges with BMS 5-95 sealant.
- F. Apply a top coat of BMS 10-60 BAC707 gray gloss enamel over the BMS 5-95 sealant.

2. Repair

- A. Repair hole for bushing (IPL Fig. 1 473, 475 and IPL Fig. 7 640, 644).
  - (1) Machine fitting (IPL Fig. 1 477, 477A and IPL Fig. 7 648A, 648), as necessary to remove discrepancies, as given in Fig. 601.
  - (2) Penetrant check as given in SOPM 20-20-02.
  - (3) Shot peen bore(s) as given in SOPM 20-10-03 and Fig. 601.
  - (4) Refinish as given in paragraph 3.A..
  - (5) Fabricate oversize bushing(s) as given in Fig. 602 and 603.

3. Refinish

- A. Fitting (IPL Fig. 1 477A, 477 and IPL Fig. 7 648A, 648) — Chromic acid anodize, as given in SOPM 20-43-01 and apply one coat BMS 10-11, type 1 primer (F-18.13). Apply BMS 10-60, BAC707 gray gloss enamel (SRF 14.9813). Omit primer and enamel from holes for bushings. Material: Aluminum alloy.

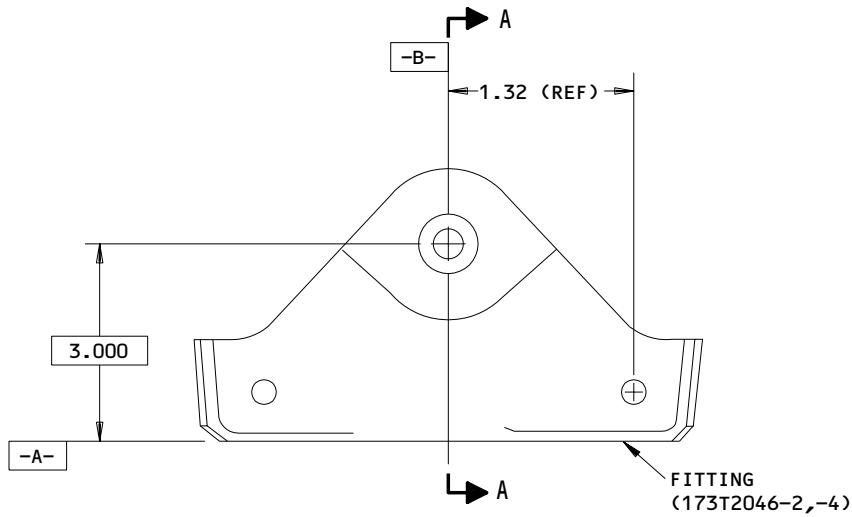
**55-40-13**

REPAIR 7-1

01.1

Page 601

Nov 01/00



173T2046-1,-3 SHOWN

FITTING  
 (173T2046-2,-4)

0.8132 DESIGN DIA  
 0.8125

0.8732 AFTER  
 SHOT PEENING-  
 REPAIR LIMIT DIA

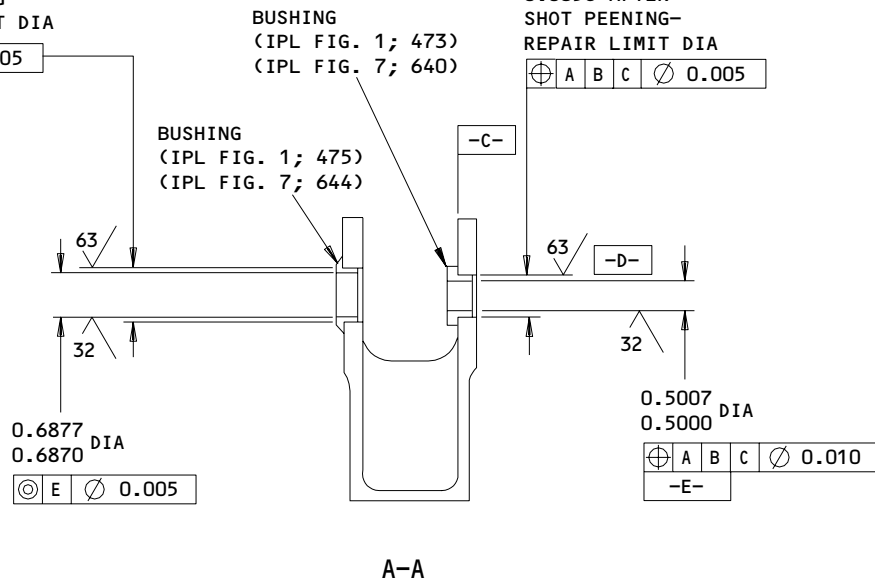
Ⓢ D Ⓢ 0.005

FITTING  
 (173T2046-2,-4)

0.6256 DESIGN DIA  
 0.6250

0.0856 AFTER  
 SHOT PEENING-  
 REPAIR LIMIT DIA

Ⓢ A B C Ⓢ 0.005



SHOT PEEN: 0.023-0.055 SHOT SIZE  
 0.006 A INTENSITY  
 2.0 COVERAGE

ALL DIMENSIONS ARE IN INCHES

173T2046-1,-3  
 Bushing Replacement  
 Figure 601

**55-40-13**

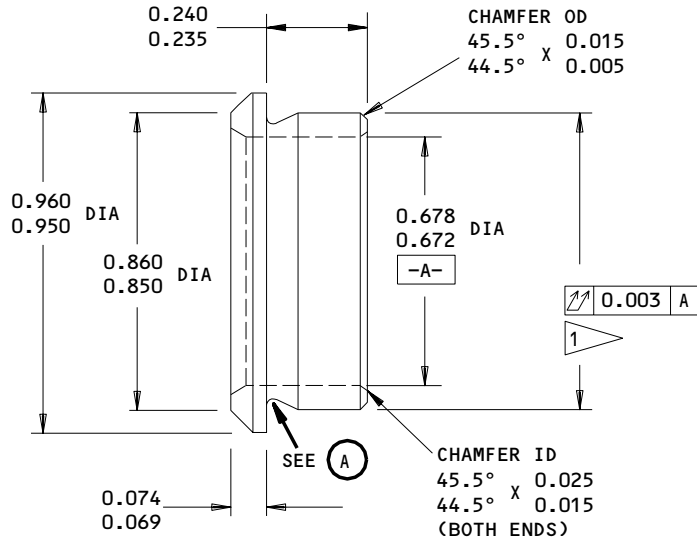
REPAIR 7-1

01.1

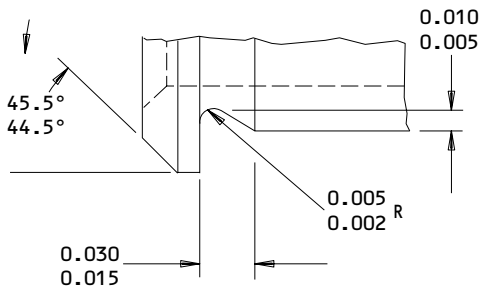
Page 602

Nov 01/00

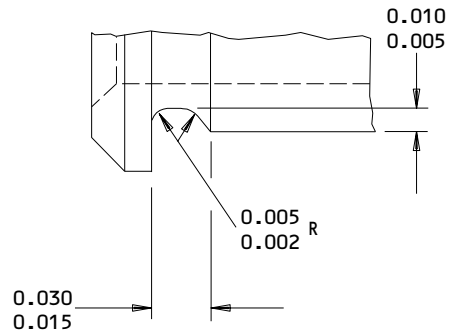
**BOEING**  
**COMPONENT**  
**MAINTENANCE MANUAL**



**OVERSIZE REPLACEMENT FOR BUSHING**  
 (IPL FIG. 1; 475)  
 (IPL FIG. 7; 644)



**TYPE 1**



**TYPE 2**

**UNDERCUT - TYPE 1 OR TYPE 2 OPTIONAL**

(A)

1 FINISH DIAMETER (REPAIR DIAMETER OF FITTING PLUS 0.0005-0.0019 INTERFERENCE)

63/ ALL MACHINED SURFACES UNLESS SHOWN DIFFERENTLY

MATERIAL: AL-NI-BR AS SHOWN IN AMS 4640

FINISH: CADMIUM PLATE AS SHOWN IN SOPM 20-42-05, TYPE 2, CLASS 2, PLATING IN BORE OPTIONAL

ALL DIMENSIONS ARE IN INCHES

**Oversize Bushing Details**  
**Figure 602**

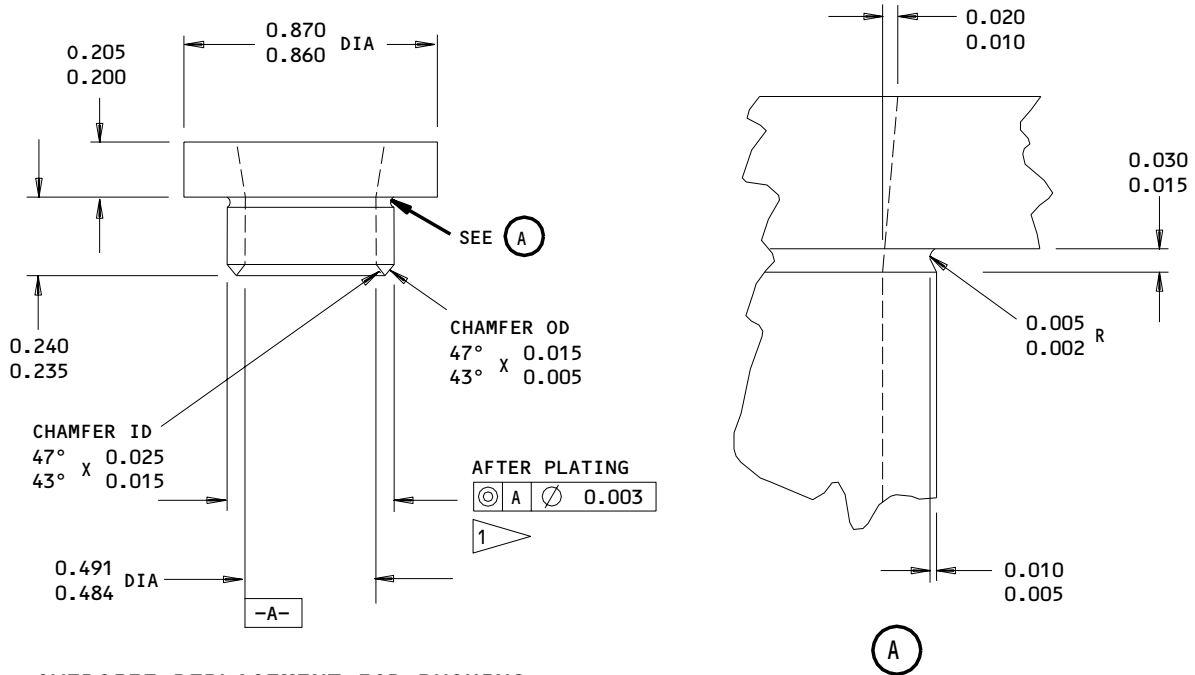
**55-40-13**

REPAIR 7-1

01.1

Page 603

Nov 01/00



**OVERSIZE REPLACEMENT FOR BUSHING**  
 (IPL FIG. 1; 473)  
 (IPL FIG. 7; 640)

**1** FINISH DIAMETER (REPAIR DIAMETER OF FITTING PLUS 0.0005-0.0017 INTERFERENCE)

**63** ALL MACHINED SURFACES UNLESS SHOWN DIFFERENTLY

MATERIAL: 15-5PH CRES, 180-200 KSI

MAGNETIC PARTICLE INSPECT AS SHOWN IN SOPM 20-20-01, CLASS A, AFTER MACHINING

FINISH: CADMIUM PLATE (0.0002 TO 0.0004 INCH) AS SHOWN IN SOPM 20-42-05, TYPE 2, CLASS 3, EXCEPT ON INSIDE DIAMETER

ALL DIMENSIONS ARE IN INCHES

**Oversize Bushing Details**  
**Figure 603**

**55-40-13**

REPAIR 7-1

Page 604

Nov 01/00

01.1

FITTING ASSEMBLY – REPAIR 8-1

173T2023-1, -3, -5, -7

**NOTE:** Refer to REPAIR-GENERAL for list of applicable standard practices.

**1. Bushing Replacement**

- A. Remove bushings (IPL Fig. 1 369, 371, 409, 415, 417 and IPL Fig. 7 512, 516, 552, 564, 568).
- B. Check hole for damage or corrosion and repair if necessary. Refer to paragraph 2, Repair.
- C. Install replacement bushing (IPL Fig. 1 417 and IPL Fig. 7 568), washer (IPL Fig. 1 411 and IPL Fig. 7 556), and nut (IPL Fig. 1 413 and IPL Fig. 7 560).
- D. Tighten nut (IPL Fig. 1 413 and and IPL Fig. 7 560) to a torque of approximately 800 to 1000 lb-in.
- E. Install bushings (IPL Fig. 1 369, 371, 409, 415 and IPL Fig. 7 512, 516, 552, 564, 568) as given in SOPM 20-50-03 with BMS 5-95 sealant.
- F. Machine bushings as given in Fig. 601.
- G. Fillet seal bushing flanges with BMS 5-95 sealant material.
- H. Apply a top coat of BMS 10-60, BAC707 gray gloss enamel over the BSM 5-95 sealant.

**2. Repair**

- A. Repair hole for bushing (IPL Fig. 1 369, 371, 409, 417 and IPL Fig. 7 512, 516, 552, 568).
  - (1) Machine fitting (IPL Fig. 1 373, 418 and IPL Fig. 7 520A, 520, 572A, 572 ), as necessary to remove discrepancies, as given in Fig. 601.
  - (2) Penetrant check as given in SOPM 20-20-02.
  - (3) Shot peen bore(s) as given in SOPM 20-10-03 and Fig. 601.
  - (4) Refinish as given in 3.A..
  - (5) Fabricate oversize bushing(s) as given in Fig. 602, 603, 604, 605.

**55-40-13**

REPAIR 8-1

01.1

Page 601

Nov 01/00

### 3. Refinish

- A. Fittings (IPL Fig. 1 373, 373A, 418, 418A and IPL Fig. 7 520A, 520, 572A, 572) -- Chromic acid anodize, as given in SOPM 20-43-01 and apply one coat BMS 10-11, type 1 primer (F-18.13). Apply BMS 10-60, BAC707 gray gloss enamel (SRF 14.9813). Omit primer and enamel from holes for bushings. Material: Aluminum alloy.

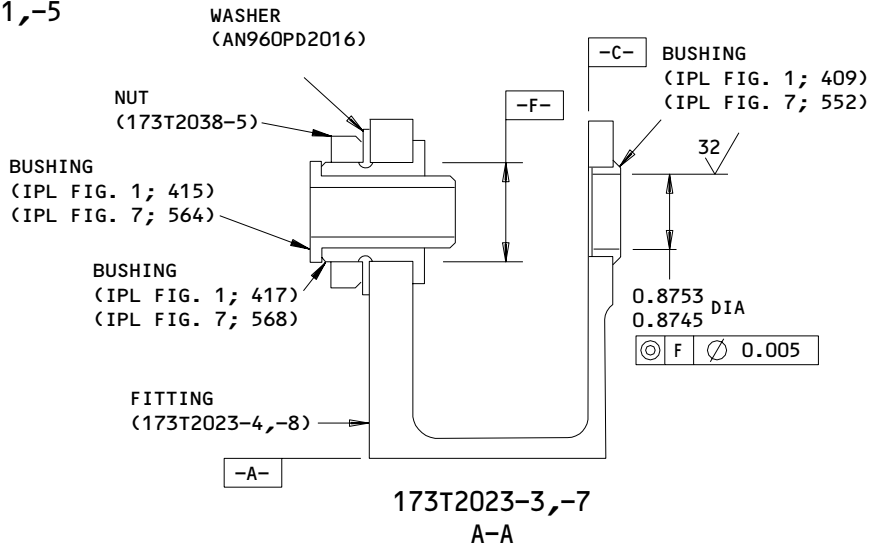
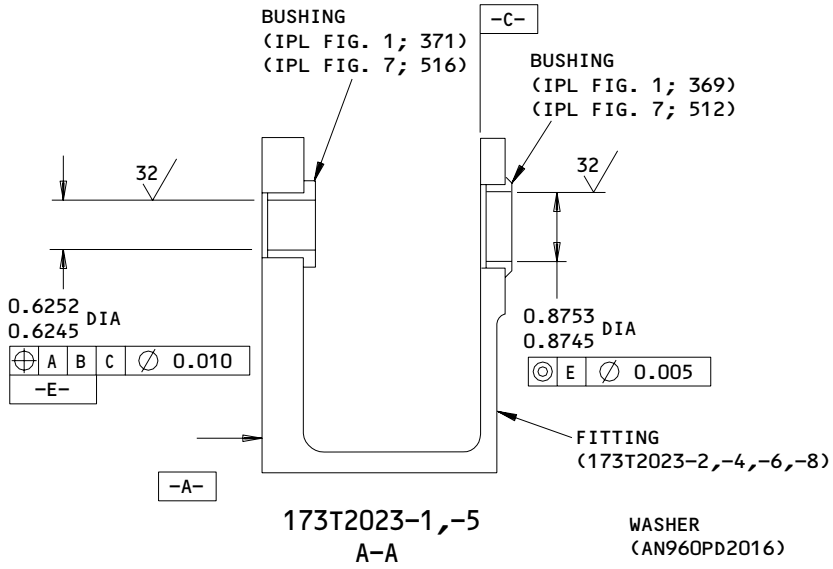
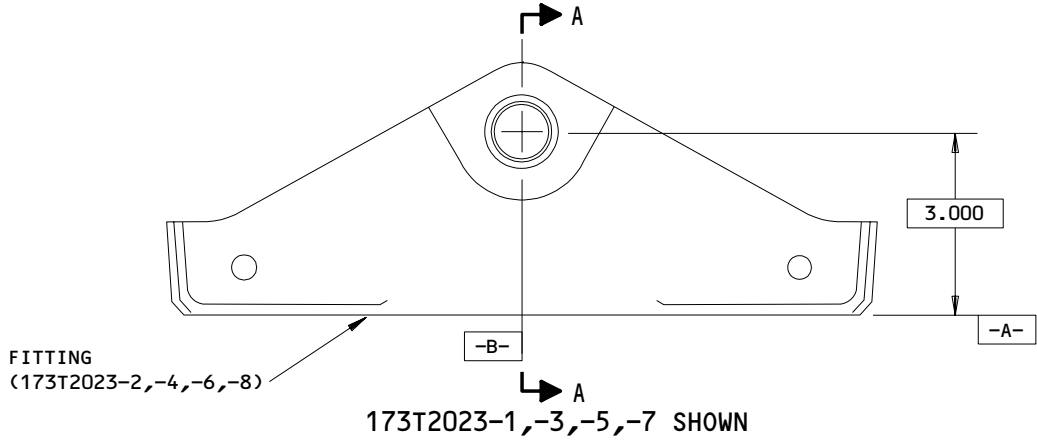
**55-40-13**

REPAIR 8-1

01.1

Page 602

Nov 01/00



ALL DIMENSIONS ARE IN INCHES

173T2023-1,-3,-5,-7  
 Bushing Replacement  
 Figure 601 (Sheet 1)

**55-40-13**

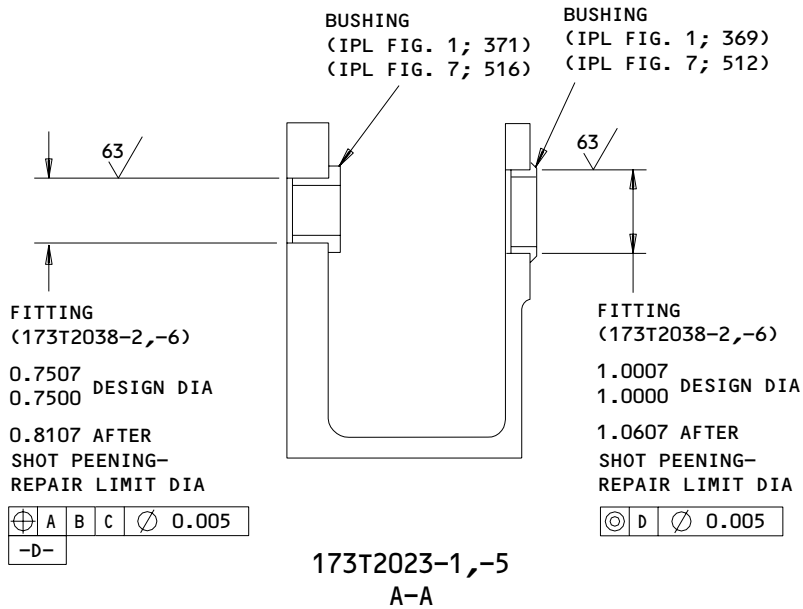
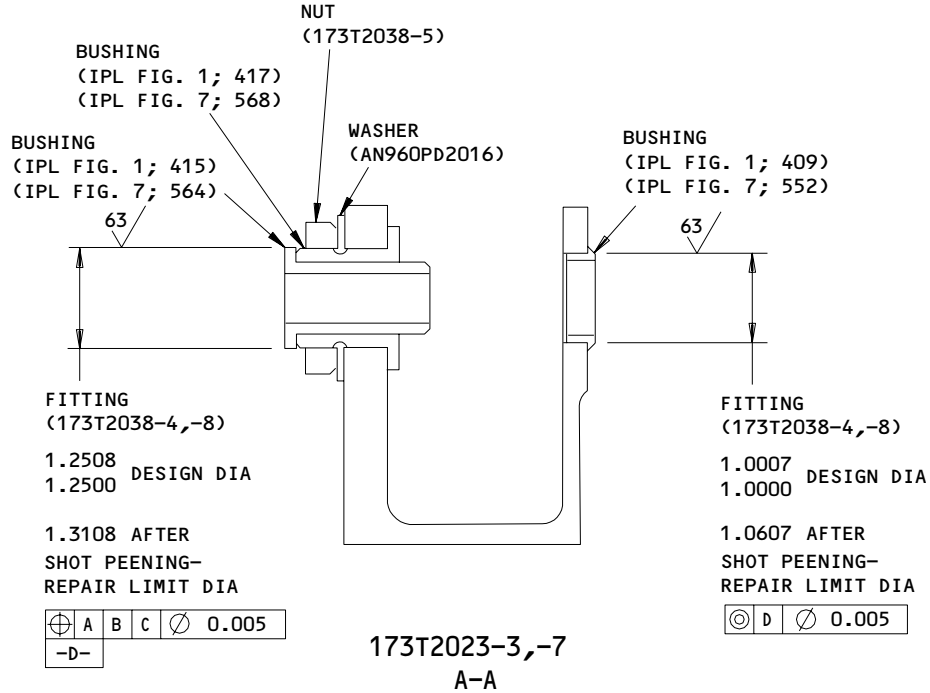
REPAIR 8-1

Page 603

Nov 01/00

01.1





SHOT PEEN: 0.023-0.055 SHOT SIZE  
 0.008 A INTENSITY  
 2.0 COVERAGE

ALL DIMENSIONS ARE IN INCHES

**173T2038-1,-3,-5,-7  
 Bushing Replacement  
 Figure 601 (Sheet 2)**

**55-40-13**

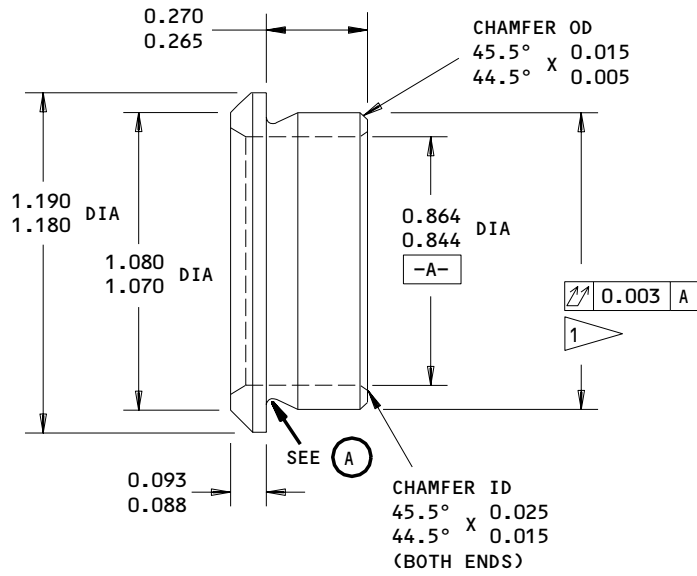
REPAIR 8-1

01.1

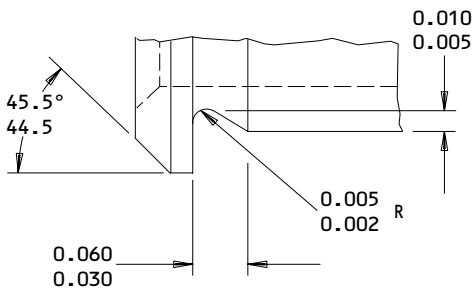
Page 604

Nov 01/00

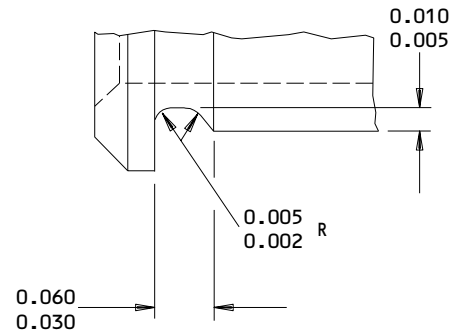
**BOEING**  
**COMPONENT**  
**MAINTENANCE MANUAL**



**OVERSIZE REPLACEMENT FOR BUSHING**  
**(IPL FIG. 1; 369)**  
**(IPL FIG. 7; 512)**



**TYPE 1**



**TYPE 2**

**UNDERCUT - TYPE 1 OR TYPE 2 OPTIONAL**

(A)

1 FINISH DIAMETER (REPAIR DIAMETER OF FITTING PLUS 0.0007-0.0021 INTERFERENCE)

63 ALL MACHINED SURFACES UNLESS SHOWN DIFFERENTLY

MATERIAL: AL-NI-BR AS SHOWN IN AMS 4640

FINISH: CADMIUM PLATE AS SHOWN IN SOPM 20-42-05, TYPE 2, CLASS 2, PLATING IN BORE OPTIONAL

ALL DIMENSIONS ARE IN INCHES

**Oversize Bushing Details**  
**Figure 602**

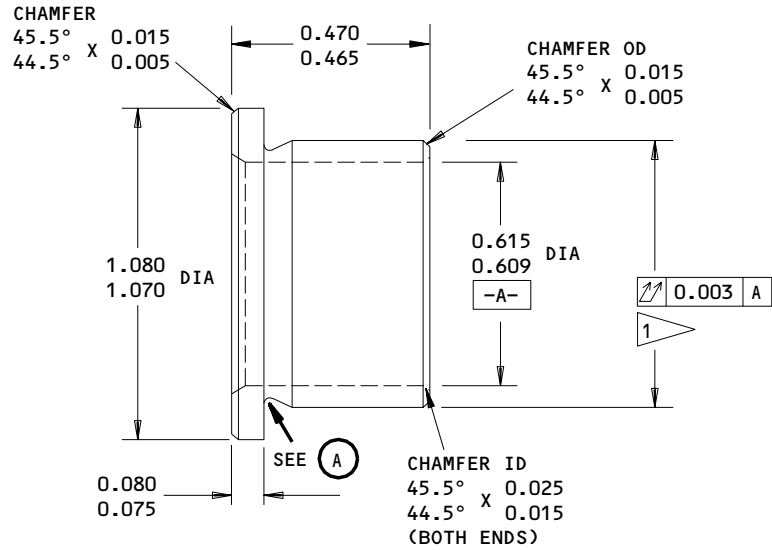
**55-40-13**

REPAIR 8-1

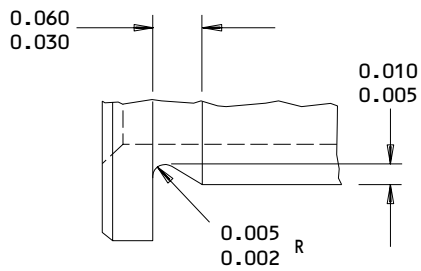
01.1

Page 605

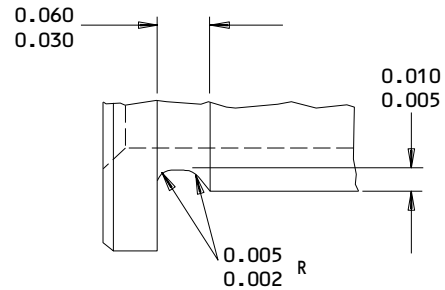
Nov 01/00



**OVERSIZE REPLACEMENT FOR BUSHING  
 (IPL FIG. 1; 371)  
 (IPL FIG. 7; 516)**



**TYPE 1**



**TYPE 2**

**UNDERCUT - TYPE 1 OR TYPE 2 OPTIONAL**



**1** FINISH DIAMETER (REPAIR DIAMETER OF FITTING PLUS 0.0005-0.0019 INTERFERENCE)

**63** ALL MACHINED SURFACES UNLESS SHOWN DIFFERENTLY

**MATERIAL:** 15-5PH CRES, 180-200 KSI

**FINISH:** CADMIUM PLATE AS SHOWN IN SOPM 20-42-05, TYPE 2, CLASS 2, PLATING IN BORE OPTIONAL

ALL DIMENSIONS APPLY AFTER PLATING

ALL DIMENSIONS ARE IN INCHES

**Oversize Bushing Details  
 Figure 603**

**55-40-13**

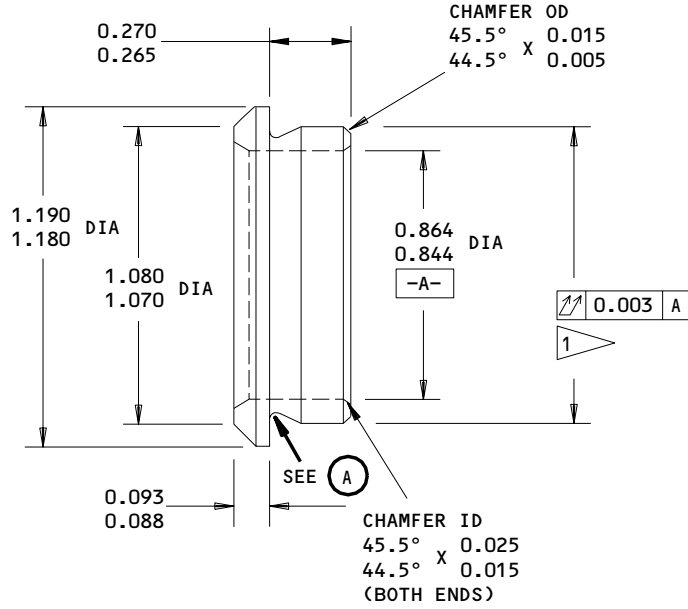
REPAIR 8-1

Page 606

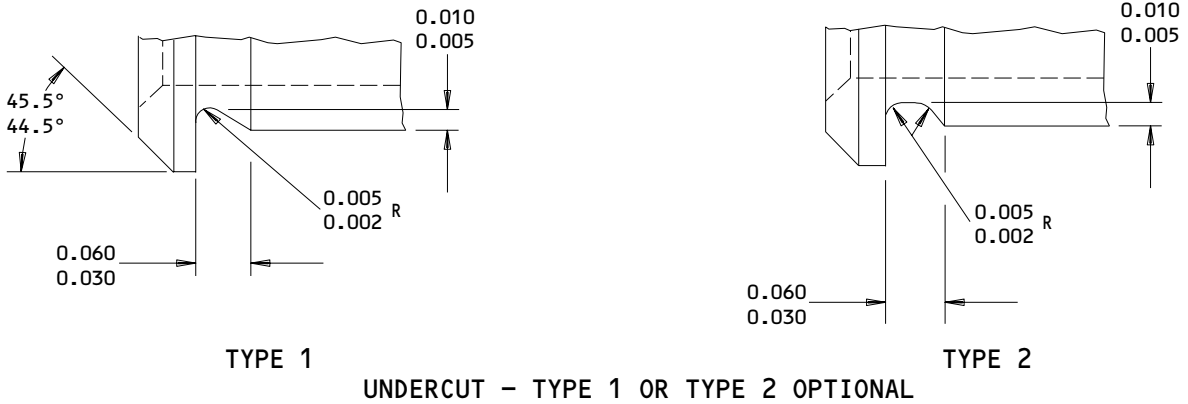
Nov 01/00

01.1

**BOEING**  
**COMPONENT**  
**MAINTENANCE MANUAL**



**OVERSIZE REPLACEMENT FOR BUSHING**  
 (IPL FIG. 1; 409)  
 (IPL FIG. 7; 552)



(A)

1 FINISH DIAMETER (REPAIR DIAMETER OF FITTING PLUS 0.0007-0.0021 INTERFERENCE)

63/ ALL MACHINED SURFACES UNLESS SHOWN DIFFERENTLY

MATERIAL: AL-NI-BR PER AMS 4640

FINISH: CADMIUM PLATE AS SHOWN IN SOPM 20-42-05, TYPE 2, CLASS 2, PLATING IN BORE OPTIONAL

ALL DIMENSIONS ARE IN INCHES

**Oversize Bushing Details**  
**Figure 604**

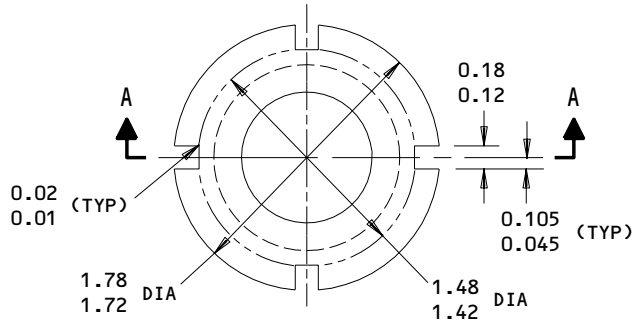
**55-40-13**

REPAIR 8-1

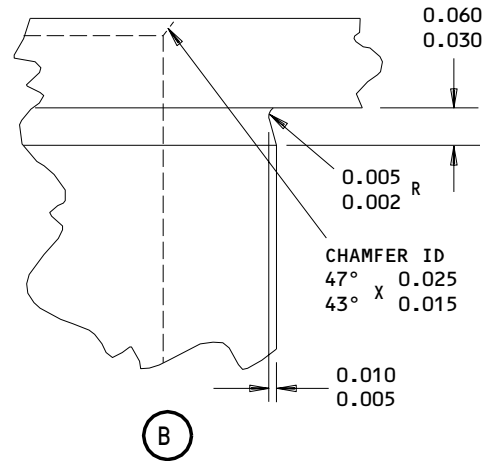
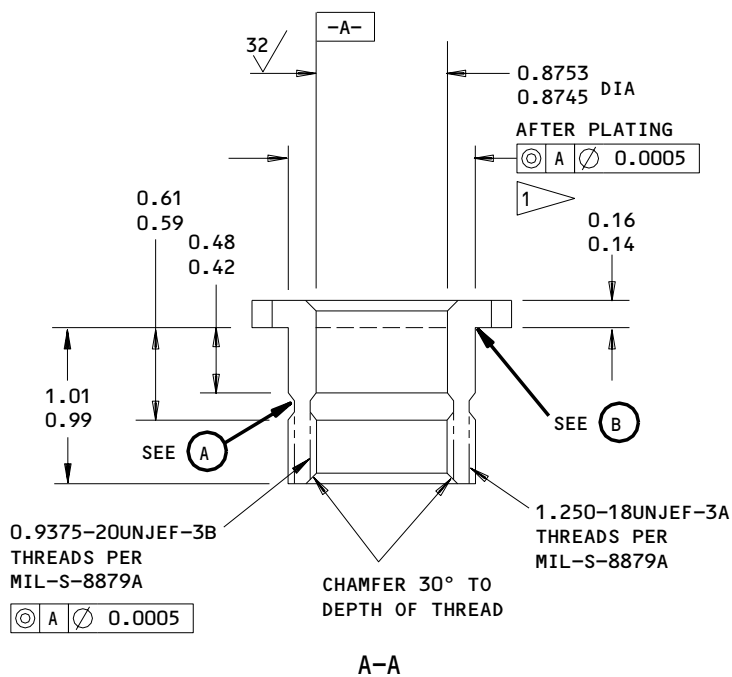
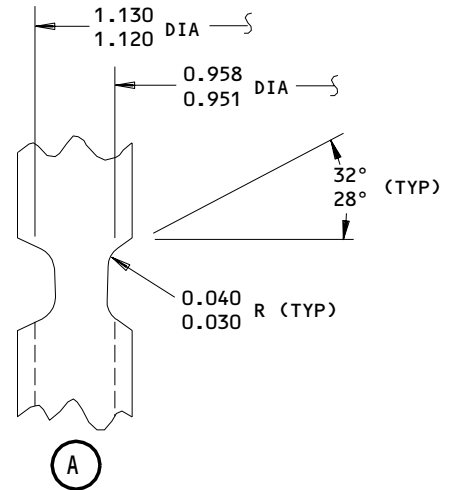
01.1

Page 607

Nov 01/00



**OVERSIZE REPLACEMENT FOR BUSHING  
 (IPL FIG. 1; 417)  
 (IPL FIG. 7; 568)**



**1** FINISH DIAMETER (REPAIR DIAMETER OF FITTING PLUS 0.0008-0.0024 INTERFERENCE)

**63** ALL MACHINED SURFACES UNLESS SHOWN DIFFERENTLY

**MATERIAL:** 15-5PH CRES, 180-200 KSI

**FINISH:** CADMIUM PLATE (0.0002 TO 0.0004) AS SHOWN IN SOPM 20-42-05, TYPE 2, CLASS 2, PLATING IN BORE OPTIONAL

**LUBE** INNER AND OUTER THREADS WITH DRY FILM TYPE MIL-L-8937 (SOPM 20-50-08)

**MAGNETIC PARTICLE** INSPECT AS SHOWN IN SOPM 20-20-01, CLASS A, AFTER MACHINING

**ALL DIMENSIONS** ARE IN INCHES

**Oversize Bushing Details  
 Figure 605**

**55-40-13**

REPAIR 8-1

01.1

Page 608

Nov 01/00

MISCELLANEOUS PARTS - REPAIR 9-1

1. Repair of parts that are listed in Fig. 601 consist of the restoration of the initial finish.

| IPL FIG. & ITEM   | MATERIAL       | FINISH  |
|---|----------------|---|
| <u>Fig. 1,5,6 and 7</u>   |                |   |
| Rib<br>(IPL Fig. 1, 137,<br>143,179)<br>(IPL Fig. 7, 36,<br>48,96)                | Graphite epoxy | Prepare inside surface of rib & apply Dexter 28-C-1 static conditioner (F-14.67) one coat BMS 10-11, type 1 primer (F-20.02) & BMS 10-60, BAC707 gray gloss enamel (SRF-14.9813). |
| Insp Door<br>(IPL Fig. 1, 479;<br>(IPL Fig. 7, 656)                               | Graphite epoxy | Prepare previously painted surface & apply Dexter 28-C-1 static conditioner (F-14.67) & two coats BMS 10-11, type 1 primer (F20-03).  |
| Skin panel<br>doubler<br>(IPL Fig. 1,5,<br>553,559; Fig. 6,<br>204,225)           |                |   |
| Skin panel doubler<br>assy<br>(IPL Fig. 1, 5,<br>577,579; IPL<br>Fig. 6, 238,239) |                |   |
| Doubler bond assy<br>(IPL Fig. 1,5 627,<br>629; IPL Fig. 6,<br>270,273)           |                |   |
| Splice plate bond<br>assy<br>(IPL Fig. 1,5,<br>947,949; IPL<br>Fig. 6, 832,835)   |                |   |

Refinish Details  
 Figure 601 (Sheet 1)

# 55-40-13

REPAIR 9-1

01.1

Page 601

Nov 01/00

| IPL FIG. & ITEM  | MATERIAL       | FINISH   |
|--|----------------|--|
| Angle bond assy<br>(IPL Fig. 1 75,79)<br>Skin splice plate<br>(IPL Fig. 1 & 5<br>90,92 and Fig. 6<br>147,150)  | Graphite epoxy | Prepare outside of curved surface &<br>apply Dexter 28-C-1 static<br>conditioner (F-14.67) plus two coats<br>BMS 10-11, type 1 primer (F-20.03). |
| Rib (IPL Fig. 1,<br>125,131,149,161,<br>173,185,191,194,<br>195,198,199,203,<br>203,204,<br>IPL Fig. 1 & 5<br>817,825,831,833,<br>841,847,849,857,<br>859,867,869,877;<br>IPL Fig. 7,<br>12,24,60,72,84,<br>108,120,132,136,<br>160,164,188,192,<br>598,607,619,622,<br>631,643,646,658,<br>661,673,676,685) | Graphite epoxy | Prepare inside surface of curve &<br>apply Dexter 28-C-1 static<br>conditioner (F-14.67) plus two coats<br>BMS 10-11, type 1 primer (F-20.03).   |
| Rib assy<br>(IPL Fig. 1 & 5,<br>669,693,719,745,<br>757,779,894,903,<br>916,923; IPL Fig.<br>7, 344,380,416,<br>452,488,523,712,<br>739,766,793)   |                |  |

Refinish Details  
 Figure 601 (Sheet 2)

# 55-40-13

REPAIR 9-1

01.1

Page 602

Nov 01/00


**BOEING**  
 COMPONENT  
 MAINTENANCE MANUAL

| IPL FIG. & ITEM   | MATERIAL              | FINISH  |
|---|-----------------------|---|
| <p>Bond assy<br/>(IPL Fig. 1 &amp; 5,<br/>647,887; IPL Fig.<br/>7, 311,694)</p> <p>Rib splice plate<br/>(IPL Fig. 1 &amp; 5,<br/>653; IPL Fig. 7,<br/>326)</p> <p>Channel (IPL<br/>Fig. 1 &amp; 5, 889;<br/>IPL Fig. 7, 706)</p> <p>Rib bond assy<br/>(IPL Fig. 1, 659,<br/>IPL Fig. 1 &amp; 5,<br/>661, IPL Fig. 7,<br/>332)</p> <p>Bond assy (IPL<br/>Fig. 1 &amp; 5, 88G;<br/>IPL Fig. 7, 126)</p> <p>Bond assy (IPL<br/>Fig. 1 &amp; 5, 115;<br/>IPL Fig. 7, 177)</p> | <p>Graphite epoxy</p> | <p>Prepare outside surface of bond assy &amp; apply Dexter 28-C-1 static conditioner (F-14.67) plus two coats BMS 10-11, type 1 primer (F-20.03). Prepare inside surface of bond assy &amp; apply Dexter 28-C-1, static conditioner plus Dexter 8-W-5 surfacer (SRF 14.672) plus one coat BMS 10-11, type 1 primer (F-20.02) plus one coat BMS 10-86, type 1 or type 2 color gray (SRF 14.9625).</p> <p>Prepare surface &amp; apply Dexter 28-C-1 static conditioner (F-14.67) plus one coat BMS 10-79, type 2 primer (F-19.46) on convex side except apply BMS 10-11, type 1 primer to all areas of bolt holes (SRF 14.06) 9 places.</p> |

Refinish Details  
 Figure 601 (Sheet 3)

**55-40-13**

REPAIR 9-1

01.1

Page 603

Nov 01/00



| IPL FIG. & ITEM   | MATERIAL        | FINISH  |
|---|-----------------|---|
| Lower panel bond assy (IPL Fig. 1 & 5, 967,969; IPL Fig. 7, 868,871)  | Graphite epoxy  | Prepare convex surface & apply Dexter 28-C-1 static conditioner (F-14.67) plug one coat BMS 10-79, type 2 primer (F-19.46).   |
| Upper panel bond assy (IPL Fig. 1, 963,965)   | Graphite epoxy  | Prepare convex surface & apply Dexter 28-C-1 static conditioner (F-14.67) plug one coat BMS 10-79, type 2 primer (F-19.46) all over except under static discharge retainer (95) & static discharge base (101) 4 places. |
| Bond assy (IPL Fig. 1, 551; IPL Fig. 7, 796)  | Graphite epoxy  | Refinish per Fig. 602.  |
| Shim (IPL Fig. 1, 223,237,275,299, 343,367,408,425, 471; IPL Fig. 7, 228,256,364,412, 460,508,548,596, 636) | Phenol type FBI | Apply two coats BMS 10-11, type 1 primer (F-20.03) all over.  |
| Angle (IPL Fig. 1, 244,284S,284V; IPL Fig. 7, 272)  | Al alloy        | Chromic acid anodize, type 1 & apply (F-18.13) plus BMS 10-60 BAC707 gray one coat BMS 10-11, type 1 primer gloss enamel (SRF 14.9813)  |
| Filler (IPL Fig. 1, 284P)   |                 |   |

Refinish Details  
Figure 601 (Sheet 4)

**55-40-13**

REPAIR 9-1

01.1

Page 604

Nov 01/00


**BOEING**  
 COMPONENT  
 MAINTENANCE MANUAL

| IPL FIG. & ITEM                                       | MATERIAL        | FINISH   |
|---|-----------------|--|
| Fitting (IPL Fig. 1 & 5, 36G; IPL Fig. 7, 69)         | Al alloy        | Type 1, chromic acid, or type 2 sulfuric acid anodize (F-17.05) all over. Apply one coat BMS 10-11, type 1 primer (F-20.02) plus one coat BMS 10-11, type 2 enamel BAC702 white gloss (F-21.03) inside. Apply one coat BMS 10-79, type 2 primer (F-19.46) outside. |
| Plate (IPL Fig. 1, & 5, 933,935; IPL Fig. 6, 823,826) | Al alloy        | Chromic acid anodize, type 1 & apply two coats BMS 10-11, type 1 primer all over (F-18.13,F-20.03).  |
| Filler (IPL Fig. 1 & 5, 937; IPL Fig. 7, 829)         | Phenol type FBE | Apply one coat BMS 10-11, type 1 primer to all areas of holes including countersinks (SRF 14.06).  |
| Bond assy - Lower rib (IPL Fig. 1, 659)               |                 | Prepare surface and apply static conditioner (F-14.67). Then apply 5 MIL minimum coat of BMS 5-123, type 71 adhesive to the edge of the drain hole.  |

Refinish Details  
Figure 601 (Sheet 5)

55-40-13

REPAIR 9-1

01.1

Page 605

Nov 01/00

| IPL FIG. & ITEM  | MATERIAL       | FINISH  |
|--|----------------|---|
| <u>Fig. 2</u><br>Rib (IPL Fig. 2, 295,445,450,560,565,675,680) | Graphite epoxy | Prepare inside surface & apply Dexter 28-C-1 static conditioner (F-14.67) one coat BMS 10-11, type 1 primer (F-20.02) & one coat BMS 10-60, BAC707 gray gloss enamel (SRF 14.9813). |
| Rib (IPL Fig. 2, 95,95A,755)                                   | Graphite epoxy | Prepare inside surface & apply Dexter 28-C-1 static conditioner (F-14.67), plus two coats BMS 10-11, type 1 primer (F-20.03).   |
| Bond assy (IPL Fig. 2, 5,120,200,335,795,850,925)              | Graphite epoxy | Prepare outside surface & apply Dexter 28-C-1 static conditioner (F-14.67) plus one coat BMS 10-79, type 2 primer (F-191.46).   |
| Panel (IPL Fig. 2, 410,525,640)                                |                |   |
| Bond assy (IPL Fig. 2, 100)                                    | Graphite epoxy | Prepare inside surface & apply Dexter 28-C-1 static conditioner (F-14.67) plus one coat BMS 10-79, type 2 primer (F-19.46).   |

Refinish Details  
Figure 601 (Sheet 6)

**55-40-13**

REPAIR 9-1

01.1

Page 606

Nov 01/00


**BOEING**  
 COMPONENT  
 MAINTENANCE MANUAL

| IPL FIG. & ITEM                              | MATERIAL       | FINISH   |
|--|----------------|--|
| Bond assy (IPL Fig. 2, 180,275, 390,830,905) | Graphite epoxy | Prepare outside surface and apply Dexter 28-C-1 static conditioner (F-14.67) plus two coats of BMS 10-11 type 1 primer (F-20.03). Prepare inside surface & apply Dexter 28-C-1 static conditioner plus Dexter 8-W-5 surfacer (SRF 14.672) plus one coat BMS 10-79, type 2 primer (F-19.46).  |
| Panel (IPL Fig. 2, 490,495,605,610, 720,725) | Graphite epoxy | Prepare outside surface & apply Dexter 28-C-1 static conditioner (F-14.67) plus one coat BMS 10-11, type 1 primer (F-20.02) plus BMS 10-60 BAC707 gray gloss enamel (SRF 14.9813). Prepare inside surface & apply Dexter 28-C-1 static conditioner plus Dexter 8-W-5 surfacer (SRF 14.672) plus one coat BMS 10-79, type 2 primer (F-19.46). |

Refinish Details  
 Figure 601 (Sheet 7)

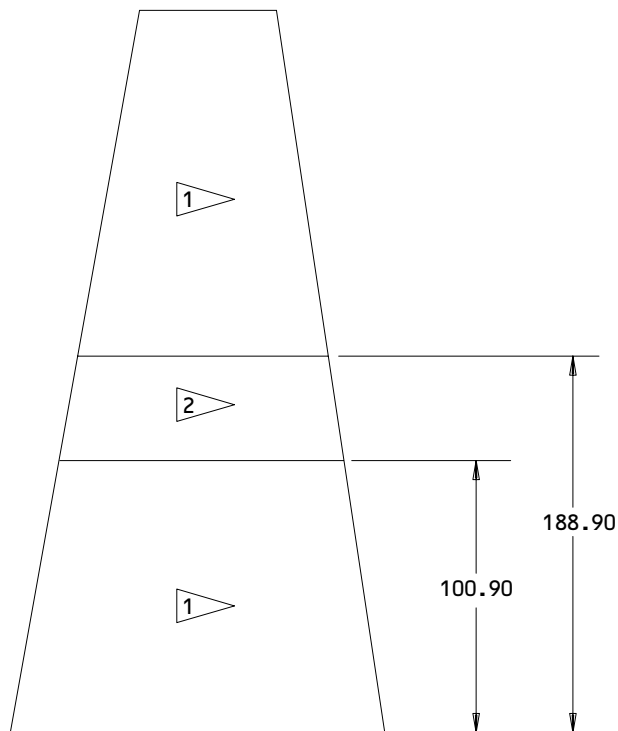
# 55-40-13

REPAIR 9-1

01.1

Page 607

Nov 01/00



1 PREPARE OUTSIDE SURFACE  
& APPLY DEXTER 28-6-1  
STATIC CONDITIONER (F-14.67)  
PLUS TWO COATS BMS 10-11,  
TYPE 1 PRIMER (F-20.03)

2 PREPARE OUTSIDE SURFACE  
& APPLY DEXTER 28-6-1  
STATIC CONDITIONER (F-14.67)  
PLUS ONE COAT BMS 10-11,  
TYPE 1 PRIMER (F-20.02)  
PLUS ONE COAT BMS 10-60,  
GLOSS ENAMEL, BAC 707 GRAY  
(SRF-14.9813)

ALL DIMENSIONS ARE IN INCHES

Bond Assembly Refinish  
Figure 602

**55-40-13**

REPAIR 9-1

01.101 Page 608

Nov 01/00



BRACKET ASSEMBLY – REPAIR 10-1

251T3445-5

**NOTE:** Refer to REPAIR – GENERAL for list of applicable standard practices.

1. Bearing Replacement (IPL Fig. 1 259 and IPL Fig. 7 324)

- A. Remove the bearing as shown in Fig. 1 and Fig. 7 as applicable..
- B. Install bearing and roller; swage housing over the bearing on both sides as given in SOPM 20-50-03.

2. Refinish

- A. Bracket (IPL Fig. 1 260 and IPL Fig. 7 328) -- Chromic or sulfuric acid anodize (F-17.05) all over the surface. Apply one coat BMS 10-11, Type 1 primer (F-20.02) all over except omit primer from the bearing hole. Apply BMS 10-60 BAC707 gray gloss enamel (SRF-14.9813) all over except omit enamel from bearing hole. Material: Aluminum alloy.
- B. Bracket (IPL Fig. 1 260A and IPL Fig. 7 328A) -- Chromic acid anodize and apply one coat BMS 10-11, Type 1 primer (F-18.13) all over except omit primer from bearing hole. Apply BMS 10-60 BAC707 gray gloss enamel (SRF-14.9813) all over except omit enamel from bearing hole. Material: Aluminum alloy.

**55-40-13**

REPAIR 10-1

01.1

Page 601

Nov 01/00

ASSEMBLY1. Materials

NOTE: You can use equivalent substitutes, if necessary.

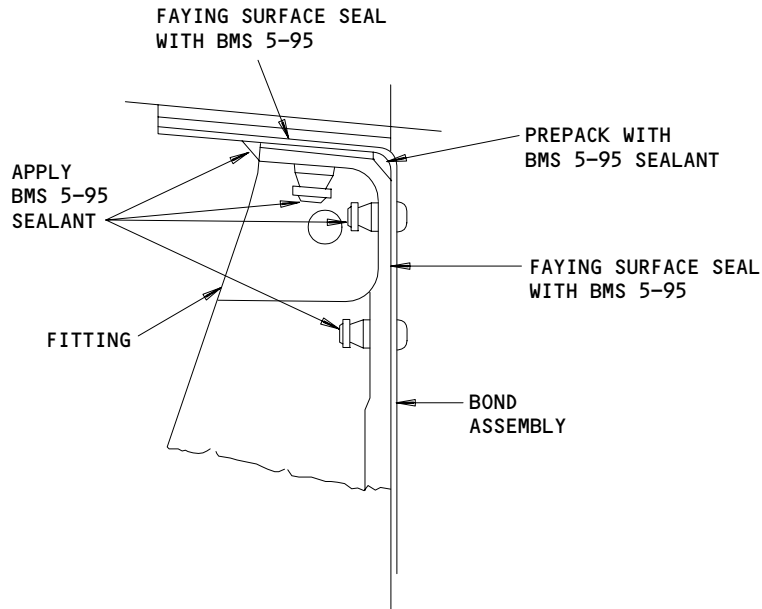
- A. Adhesive -- Type 44 (SOPM 20-50-12)
- B. Corrosion preventive compound -- MIL-C-11796, class 3 (SOPM 20-60-02)
- C. Parting agent (SOPM 20-60-04)
- D. Primer -- BMS 10-11, type 1 (SOPM 20-60-02)  
-- BMS 10-79, type 2 (SOPM 20-60-02)
- E. Sealant -- BMS 5-95 (SOPM 20-50-11, and SOPM 20-60-04)

2. Assembly

- A. Use standard industry practices for the assembly of this component plus the procedures that follow:
- B. Peel shims (IPL Fig. 1 223, 237, 275, 299, 343, 367, 408, 425, 471 and IPL Fig. 7 228, 256, 364, 412, 460, 508, 548, 596, 636) as necessary to give a maximum gap of 0.005 inch between the fittings (IPL Fig. 1 229, 243, 260, 281G, 283, 284, 307, 351, 352, 373, 418, 431, 432, 477 and IPL Fig. 7 240A, 268A, 328, 376A, 428A, 476A, 480A, 520A, 572A, 608A, 612A, 648A) and bond assembly (IPL Fig. 1 551, and IPL Fig. 7 796) after shimming. After peeling shim, apply two coats BMS 10-11, type 1 primer to peeled surface. Install with painted surface against bond assembly (IPL Fig. 1 551, and IPL Fig. 7 796).
- C. Prepack cavity between fitting (IPL Fig. 1 229, 243, 260, 281G, 283, 284, 307, 351, 352, 373, 418, 431, 432, 477 and IPL Fig. 7 240A, 268A, 328, 376A, 428A, 476A, 480A, 520A, 572A, 608A, 612A, 648A) and bond assembly (IPL Fig. 1, 551 and IPL Fig. 7, 796) with BMS 5-95 sealant and apply BMS 5-95 sealant as shown in Fig. 701.

**55-40-13**ASSEMBLY  
Page 701  
Nov 01/00

01.1



Sealant Application  
 Figure 701

159369

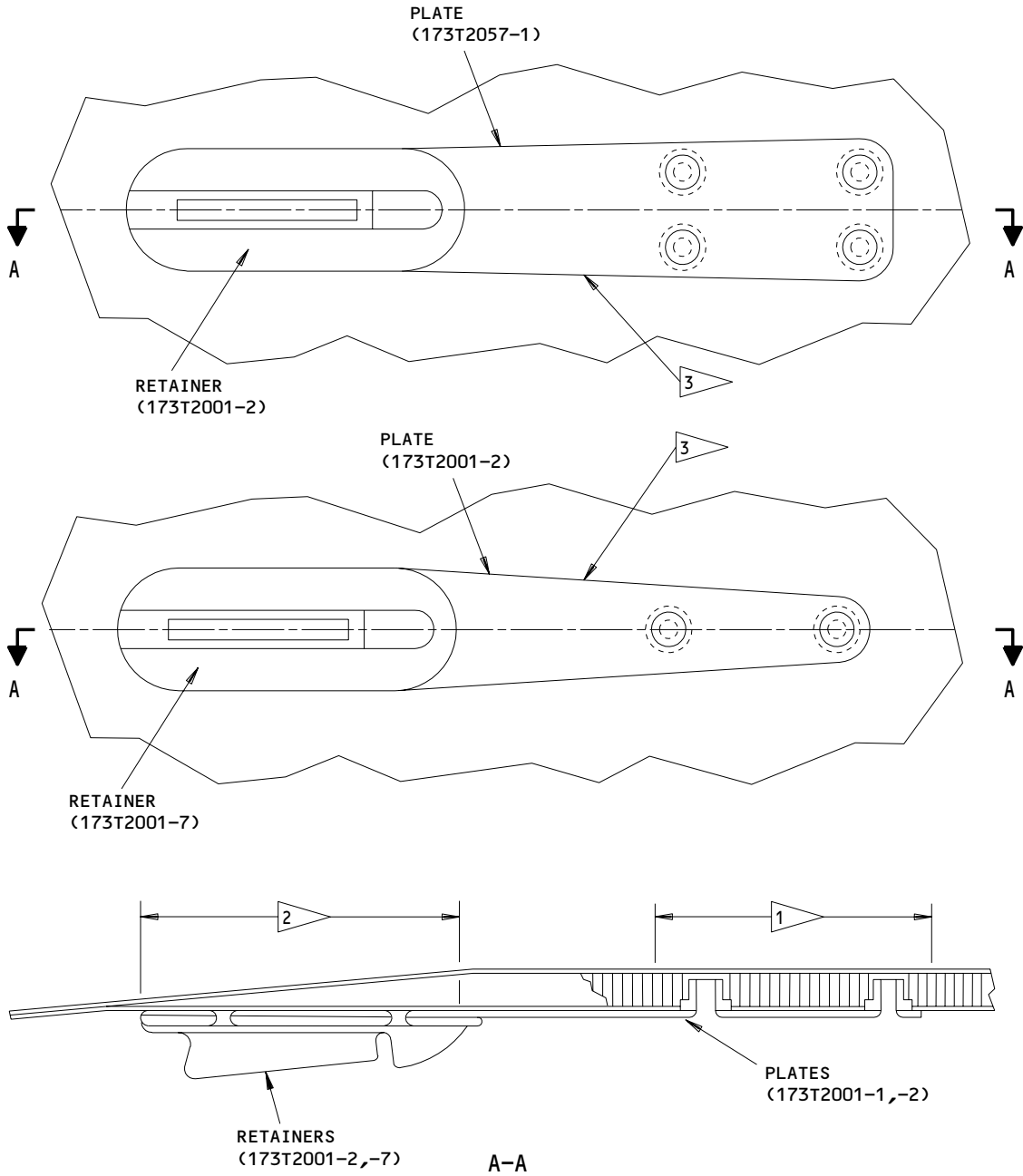
- D. Apply MIL-C-11796, class 3 corrosion preventive compound to all areas of center hole in inspection door assy (IPL Fig. 1 and 5, 107 and IPL Fig. 6, 153). Install screw (IPL Fig. 1 and 5, 109 and IPL Fig. 6, 159) immediately.
- E. Prepare graphite surface of upper panel assembly ( IPL Fig. 1, 963, 965 and IPL Fig. 6, 159) and mounting plate (IPL Fig. 1 and 5, 125 and IPL Fig. 6, 36) by lightly abrading faying surfaces with 250 grit sand paper and solvent wiping (See Fig. 702).
- F. Apply BMS 5-35, grade A, type 1 and BMS 5-95 sealant to mounting plate (IPL Fig. 1 and 5, 24, 25 and IPL Fig 6, 33, 36) as given in Fig. 702. Allow sealant to cure a minimum of 24 hours at room temperature after installation.
- G. Install screw (IPL Fig. 1 and 5, 16 and IPL Fig. 6, 9) with wet BMS 5-95 sealant.
- H. Install retainers (IPL Fig. 1, 20, 21A, 22, 23A A and IPL Fig. 6, 21, 24, 27, 30 ) using rivets (IPL Fig. 1 and 5, 18, 19A and IPL Fig. 6, 15).
- I. Apply BMS 5-95 sealant to screw (IPL Fig. 4, 25A, IPL Fig. 3, 30) and install discharger base (IPL Fig. 3, 50, IPL Fig. 4, 60).

**55-40-13**

ASSEMBLY  
 Page 702  
 Nov 01/00

01.1





1 PREPARE SURFACE AND APPLY BMS 5-35, GRADE A, TYPE 1 (PLATE (173T2057-2) ONLY) CURE AT ROOM TEMP FOR 24 HOURS

2 APPLY BMS 5-95 BETWEEN MOUNTING PLATES (173T2057-1,-2) AND RUDDER, IN THIS AREA ONLY

3 FILLET SEAL WITH BMS 5-95 SEALANT

Retainer Installation  
 Figure 702

**55-40-13**

ASSEMBLY  
 Page 703  
 Nov 01/00

01.1

J. Verify that the resistance does not exceed:

- (1) 0.1 ohm between discharger base (IPL Fig. 1 and 5, 22, 23A and IPL Fig. 6, 27, 30) and mounting plate (IPL Fig. 1 and 5, 24, 25 and IPL Fig. 6, 33, 36).
- (2) 1.0 ohm between discharger base (IPL Fig. 1 and 5, 23A, IPL Fig. 3, 50, IPL Fig. 4, 60, IPL Fig. 6, 30) and the nearest attach point for bonding jumper.
- (3) 0.1 ohm between discharger base (IPL Fig. 1 and 5, 20, 22 and IPL Fig. 6, 21, 27) and the nearest attach point for bonding jumper.

K. Fillet seal between discharger base (IPL Fig. 1 and 5, 22, 23A, and IPL Fig. 6, 27, 30) and mounting plate (IPL Fig. 1 and 5, 24, 25 and IPL Fig. 6, 33, 36) and between mounting plate (IPL Fig. 1 and 5, 24, 25 and IPL Fig. 6, 33, 36) and rudder panel (IPL Fig. 1 and 5, 963, 965).

L. Fillet seal between discharger base (IPL Fig. 1 and 5, 20 and IPL Fig. 6, 30) and tip fitting assembly (IPL Fig. 1 and 5, 26G and IPL Fig. 6, 39) and between discharger base (IPL Fig. 3, 50; IPL Fig. 4, 60) and tip assembly (IPL Fig. 3, 5; IPL Fig. 4, 5).

M. Touch-up unprimed area of panel (IPL Fig. 1, 963, 965) around discharger base (IPL Fig. 1 and 5, 20, 22, 23A and IPL Fig. 6, 21, 27, 30) or mounting plate (IPL Fig. 1 and 5, 24, 25 and IPL Fig. 6, 33, 36) with BMS 10-79 type 2 primer. Do not apply finish on discharger base.

N. Apply faying surface seal BMS 5-95 between upper panel bond assembly (IPL Fig. 1, 963, 965) and lower panel bond assembly (IPL Fig. 1 and 5, 967, 969 and IPL Fig. 6, 868, 871).

**CAUTION:** INSTALL RIVETS (IPL FIG. 1 AND 5, 939, 941 AND IPL FIG. 6, 817, 820) WITH THE SQUEEZE METHOD.

O. Install rivets (IPL Fig. 1 and 5, 939, 941 and IPL Fig. 6, 817, 820) with BMS 5-95 sealant. Install flush on both sides using squeeze method.

P. Apply parting agent to tip fitting (IPL Fig. 1 and 5, 36G and IPL Fig. 6, 69). Install removable fay seal between upper panel bond assy (IPL Fig. 1, 963, 965) and tip fitting (IPL Fig. 1 and 5, 26G and IPL Fig. 6, 39).

Q. Apply aerodynamic seal, BMS 5-95 per 20-50-11 between bond assy (IPL Fig. 2, 795, 830, 850, 905, 925 and IPL Fig. 6, 868, 871) and lower bond assy (IPL Fig. 1 and 5, 967, 969 and IPL Fig. 6, 868, 871) as given in Fig. 703.

**55-40-13**

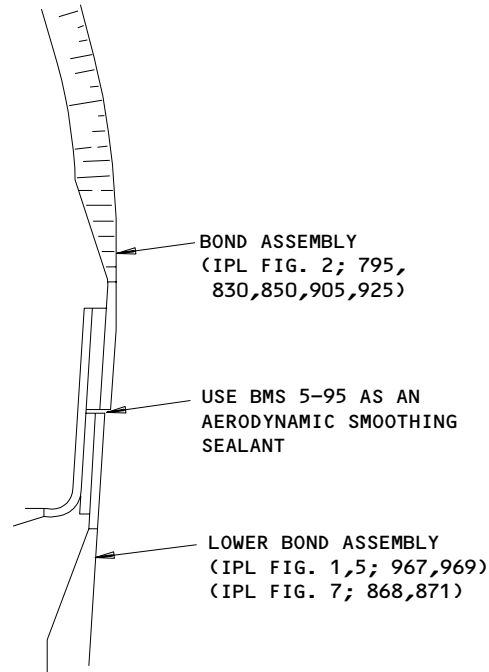
ASSEMBLY

01.1

Page 704

Nov 01/00

**BOEING**  
 COMPONENT  
 MAINTENANCE MANUAL



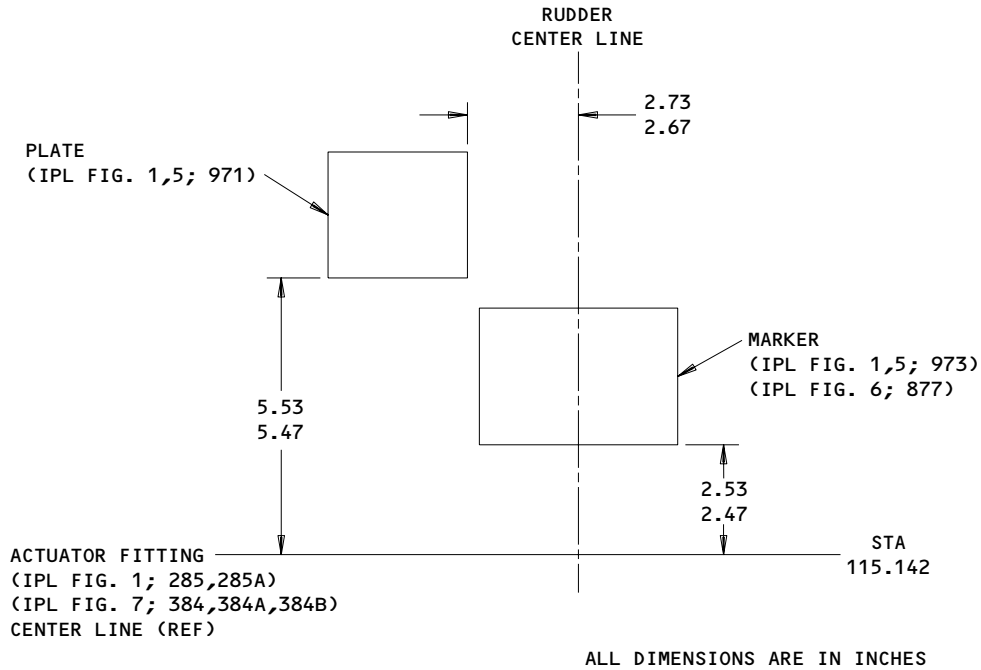
Aerodynamic Smoothing Sealant  
 Figure 703

- 9846
- R. Apply aerodynamic seal BMS 5-95 as given in SOPM 20-50-11 to fill the gap between tip fitting assembly (IPL Fig. 1 and 5, 26G and IPL Fig. 6, 39) and aft bond assembly (IPL Fig. 3, 80; IPL Fig. 4, 75) and forward bond assembly (IPL Fig. 3, 75A; IPL Fig. 4, 65).
  - S. Cold bond, identification plate (IPL Fig. 1 and 5, 971) and moment marker (IPL Fig. 1 and 5, 973 and IPL Fig. 6, 877) as given in SOPM 20-50-12, type 44 and Fig. 704.

**55-40-13**

ASSEMBLY  
 Page 705  
 Nov 01/00

01.1



Identification and Marker Plate Location  
 Figure 704

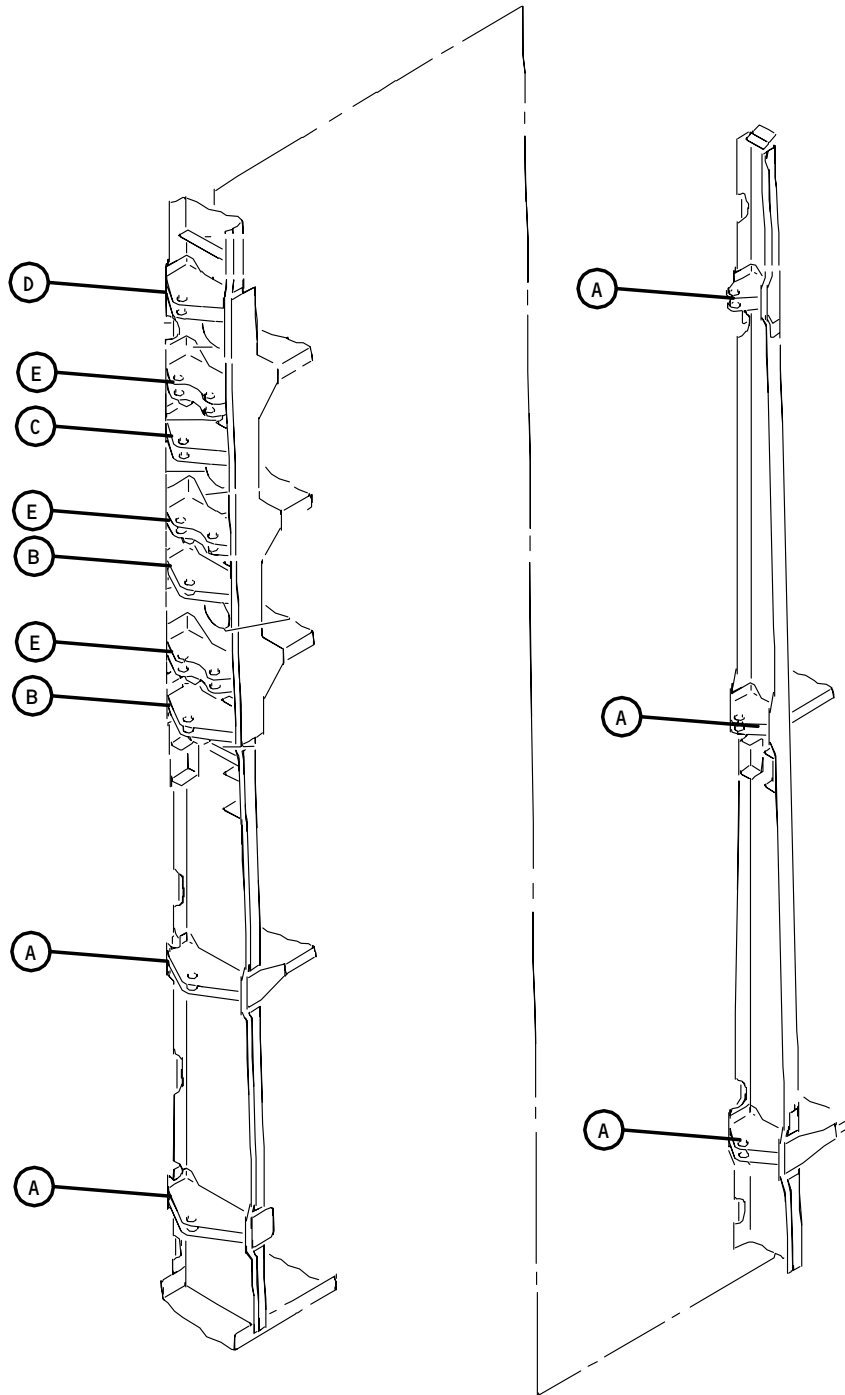
159373

**55-40-13**

ASSEMBLY  
 Page 706  
 Nov 01/00

01.1

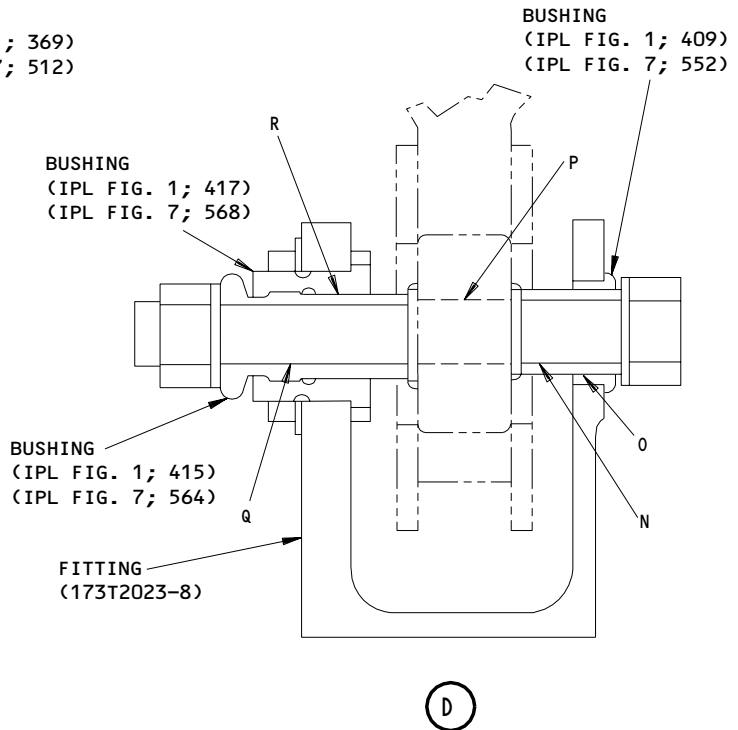
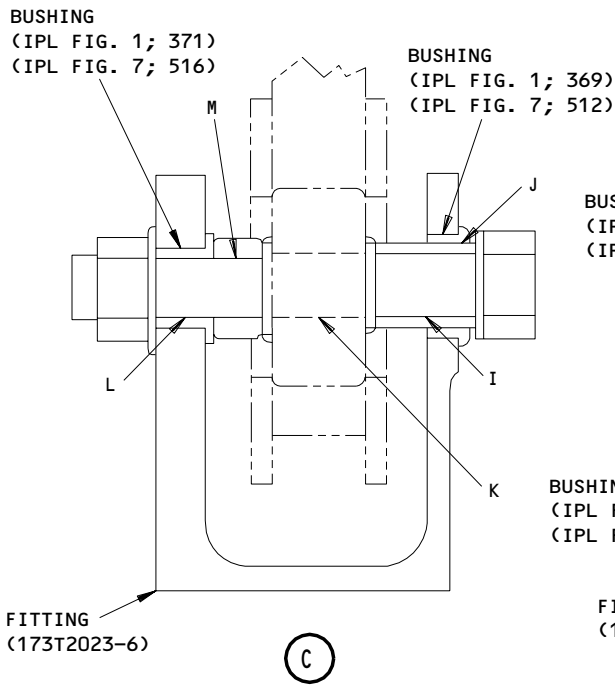
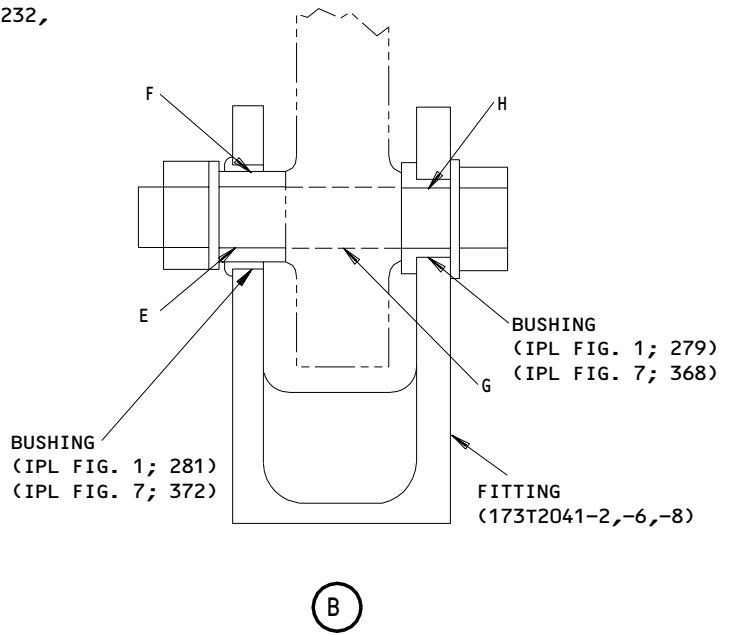
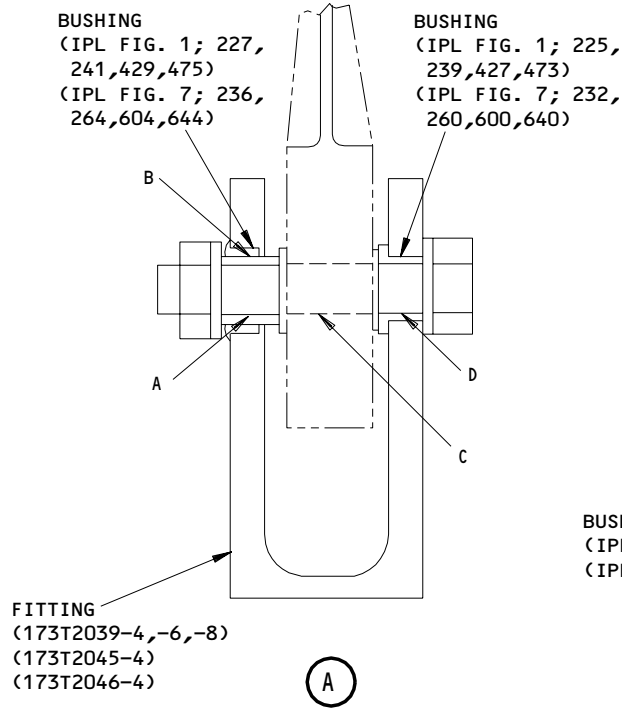
FITS AND CLEARANCES



Fits and Clearances  
Figure 801 (Sheet 1)

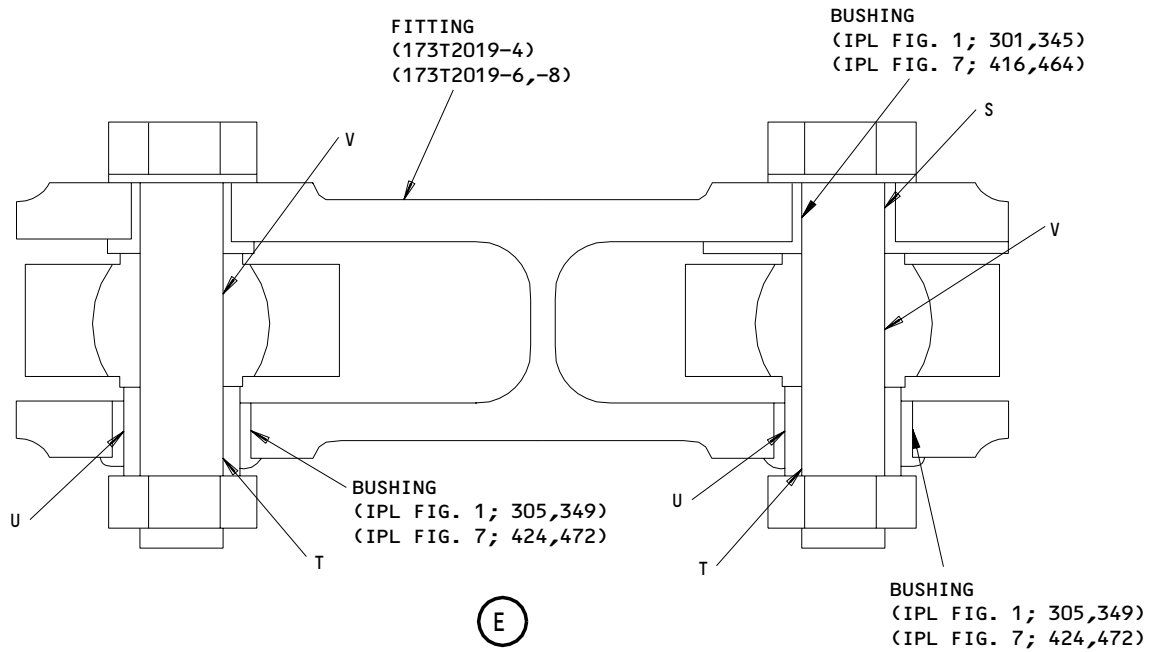
**55-40-13**

FITS AND CLEARANCES  
01 Page 801  
Oct 01/87



Fits and Clearances  
 Figure 801 (Sheet 2)

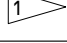
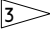
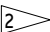
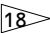
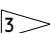
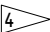

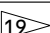

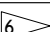

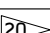

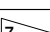

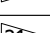

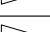

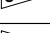
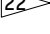
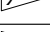
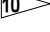
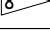
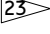
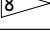
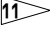
**55-40-13**



Fits and Clearances  
Figure 801 (Sheet 3)

**55-40-13**

FITS AND CLEARANCES  
01.1 Page 803  
Nov 01/00

| Ref<br>Letter<br>Fig.801 | Mating<br>Item No.<br>IPL Fig.1<br>and Fig.7   | Design Dimension |        |   |        | Service Wear Limit |        |                      |
|--------------------------|--|------------------|--------|---|--------|--------------------|--------|----------------------|
|                          |  | Dimension        |        | Assembly<br>Clearance  |        | Dimension          |        | Maximum<br>Clearance |
|                          |  | Min              | Max    | Min   | Max    | Min                | Max    |                      |
| A                        | ID    | 0.5000           | 0.5005 | 0.0005  | 0.0020 | 0.4995             | 0.5045 | 0.0050               |
|                          | OD    | 0.4985           | 0.4995 |   |        |                    |        |                      |
| B                        | ID    | 0.6870           | 0.6877 | 0.0005  | 0.0017 | 0.6827             | 0.6915 | 0.0050               |
|                          | OD    | 0.6860           | 0.6865 |   |        |                    |        |                      |
| C                        | ID    | 0.4995           | 0.5000 | 0.0000  | 0.0015 | 0.4950             | 0.5045 | 0.0050               |
|                          | OD    | 0.4985           | 0.4995 |   |        |                    |        |                      |
| D                        | ID    | 0.5000           | 0.5007 | 0.0005  | 0.0022 | 0.4957             | 0.5045 | 0.0050               |
|                          | OD    | 0.4985           | 0.4995 |   |        |                    |        |                      |
| E                        | ID    | 0.6245           | 0.6250 | 0.0005  | 0.0020 | 0.6200             | 0.6290 | 0.0050               |
|                          | OD    | 0.6230           | 0.6240 |   |        |                    |        |                      |
| F                        | ID    | 0.8745           | 0.8753 | 0.0005  | 0.0018 | 0.8703             | 0.8790 | 0.0050               |
|                          | OD    | 0.8735           | 0.8740 |   |        |                    |        |                      |
| G                        | ID    | 0.6245           | 0.6250 | 0.0005  | 0.0020 | 0.6200             | 0.6290 | 0.0050               |
|                          | OD    | 0.6230           | 0.6240 |   |        |                    |        |                      |
| H                        | ID  | 0.6245           | 0.6252 | 0.0005  | 0.0022 | 0.6202             | 0.6290 | 0.0050               |
|                          | OD  | 0.6230           | 0.6240 |   |        |                    |        |                      |
| I                        | ID  | 0.6245           | 0.6250 | 0.0005  | 0.0020 | 0.6200             | 0.6290 | 0.0050               |
|                          | OD  | 0.6230           | 0.6240 |   |        |                    |        |                      |
| J                        | ID  | 0.8745           | 0.8753 | 0.0005  | 0.0018 | 0.8703             | 0.8795 | 0.0050               |
|                          | OD  | 0.8735           | 0.8740 |   |        |                    |        |                      |
| K                        | ID  | 0.6245           | 0.6250 | 0.0005  | 0.0020 | 0.6200             | 0.6290 | 0.0050               |
|                          | OD  | 0.6230           | 0.6240 |   |        |                    |        |                      |
| L                        | ID  | 0.6245           | 0.6252 | 0.0005  | 0.0022 | 0.6202             | 0.6290 | 0.0050               |
|                          | OD  | 0.6230           | 0.6240 |   |        |                    |        |                      |
| M                        | ID  | 0.6245           | 0.6250 | 0.0005  | 0.0020 | 0.6200             | 0.6290 | 0.0050               |
|                          | OD  | 0.6230           | 0.6240 |   |        |                    |        |                      |

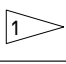
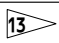
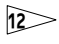

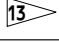
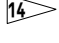
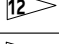
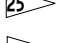
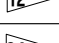
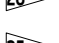
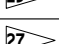
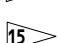
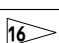
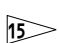
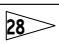
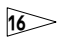



Fits and Clearances  
Figure 801 (Sheet 4)

**55-40-13**

FITS AND CLEARANCES  
01.1 Page 804  
Nov 01/00




**BOEING**  
 COMPONENT  
 MAINTENANCE MANUAL

| Ref Letter<br>Fig.801 | Mating Item No.<br>IPL Fig.1<br>and Fig.7  | Design Dimension |        |   |        | Service Wear Limit |        |                   |
|-----------------------|--|------------------|--------|---|--------|--------------------|--------|-------------------|
|                       |  | Dimension        |        | Assembly Clearance  |        | Dimension          |        | Maximum Clearance |
|                       |  | Min              | Max    | Min   | Max    | Min                | Max    |                   |
| N                     | ID    | 0.6245           | 0.6250 | 0.0005  | 0.0020 | 0.6200             | 0.6290 | 0.0050            |
|                       | OD    | 0.6230           | 0.6240 |   |        |                    |        |                   |
| O                     | ID    | 0.8745           | 0.8753 | 0.0005  | 0.0018 | 0.8703             | 0.8795 | 0.0050            |
|                       | OD    | 0.8735           | 0.8740 |   |        |                    |        |                   |
| P                     | ID    | 0.6245           | 0.6250 | 0.0005  | 0.0020 | 0.6200             | 0.6290 | 0.0050            |
|                       | OD    | 0.6230           | 0.6240 |   |        |                    |        |                   |
| Q                     | ID    | 0.6245           | 0.6252 | 0.0005  | 0.0022 | 0.6202             | 0.6290 | 0.0050            |
|                       | OD    | 0.6230           | 0.6240 |   |        |                    |        |                   |
| R                     | ID    | 0.8745           | 0.8753 | 0.0005  | 0.0018 | 0.8703             | 0.8790 | 0.0050            |
|                       | OD    | 0.8735           | 0.8740 |   |        |                    |        |                   |
| S                     | ID    | 0.8745           | 0.8753 | 0.0005  | 0.0018 | 0.8703             | 0.8790 | 0.0050            |
|                       | OD    | 0.8735           | 0.8740 |   |        |                    |        |                   |
| T                     | ID   | 0.8745           | 0.8750 | 0.0005  | 0.0015 | 0.8700             | 0.8790 | 0.0050            |
|                       | OD  | 0.8735           | 0.8740 |   |        |                    |        |                   |
| U                     | ID  | 1.1870           | 1.1878 | 0.0005  | 0.0023 | 1.1824             | 1.1919 | 0.0054            |
|                       | OD  | 1.1855           | 1.1865 |   |        |                    |        |                   |
| V                     | ID  | 0.8745           | 0.8750 | 0.0005  | 0.0015 | 0.8700             | 0.8790 | 0.0050            |
|                       | OD  | 0.8735           | 0.8740 |   |        |                    |        |                   |

ALL DIMENSIONS ARE IN INCHES

Fits and Clearances  
 Figure 801 (Sheet 5)

# 55-40-13

FITS AND CLEARANCES  
 01.1 Page 805  
 Nov 01/00

- 1 > NEGATIVE VALUES DENOTE AN INTERFERENCE FIT
- 2 > BOLT, BACB30LE8U36 (REF)
- 3 > BUSHING, BACB28AK08-065 (REF)
- 4 > BEARING, BACB10CH80C (REF)
- 5 > BOLT, BACB30LE10U40 (REF)
- 6 > BUSHING, BACB28AK10-070 (REF)
- 7 > BEARING, BACB10CH100C (REF)
- 8 > BOLT, BACB30LE10U52 (REF)
- 9 > BUSHING, BACB28AK10-100 (REF)
- 10 > BEARING, BACB10CH100C (REF)
- 11 > BUSHING, 173T2012-1 (REF)
- 12 > BOLT, BACB30LE10U65 (REF)
- 13 > BUSHING, BACB28AK10-100 (REF)
- 14 > BEARING, BACB10CH100C (REF)
- 15 > BOLT, BACB30NL14-47 (REF)
- 16 > BUSHING, BACB28AK14-089 (REF)
- 17 > S012T236-4 OR S252T701-2 (REF)
- 18 > IPL FIG. 1; 227,241,429,475  
IPL FIG. 7; 236,264,604,644
- 19 > IPL FIG. 1; 225,239,427,473  
IPL FIG. 7; 232,260,600,640
- 20 > IPL FIG. 1; 281  
IPL FIG. 7; 372
- 21 > IPL FIG. 1; 279  
IPL FIG. 7; 368
- 22 > IPL FIG. 1; 369  
IPL FIG. 7; 512
- 23 > IPL FIG. 1; 371  
IPL FIG. 7; 516
- 24 > IPL FIG. 1; 409  
IPL FIG. 7; 552
- 25 > IPL FIG. 1; 415  
IPL FIG. 7; 564
- 26 > IPL FIG. 1; 417  
IPL FIG. 7; 568
- 27 > IPL FIG. 1; 301,345  
IPL FIG. 7; 416,464
- 28 > IPL FIG. 1; 305,349  
IPL FIG. 7; 424,472

Fits and Clearances  
Figure 801 (Sheet 6)

**55-40-13**

FITS AND CLEARANCES

| FOR THE TORQUE VALUES OF STANDARD FASTENERS, REFER TO SOPM 20-50-01 |                   |              |
|---|-------------------|--------------|
| ITEM NO.  | NAME              | TORQUE       |
|   |                   | POUND-INCHES |
| 413<br>(IPL FIG. 1)   | NUT<br>173T2038-5 | 800-1000     |
| 560<br>(IPL FIG. 7)   | NUT<br>173T2038-5 | 800-1000     |

Torque Table  
 Fig. 802

# 55-40-13

FITS AND CLEARANCES  
 01.1 Page 807  
 Nov 01/00



ILLUSTRATED PARTS LIST

1. This section lists and illustrates replaceable or repairable component parts. The Illustrated Parts Catalog contains a complete explanation of the Boeing part numbering system.

2. Indentures show parts relationships as follows:

Assembly

Detail Parts for Assembly

Subassembly

Attaching Parts for Subassembly

Detail Parts for Subassembly

Detail Installation Parts (Included only if installation parts may be returned to shop as part of assembly)

3. One use code letter (A, B, C, etc.) is assigned in the EFF CODE column for each variation of top assembly. All listed parts are used on all top assemblies except when limitations are shown by use code letter opposite individual part entries.

4. Letter suffixes (alpha-variants) are added to item numbers for optional parts, Service Bulletin modification parts, configuration differences (except left- and right-hand parts), product improvement parts, and parts added between two sequential item numbers. The alpha-variant is not shown on illustrations when appearance and location of all variants of the part is the same.

5. Service Bulletin modifications are shown by the notations PRE SB XXXX and POST SB XXXX.

A. When a new top assembly part number is assigned by Service Bulletin, the notations appear at the top assembly level only. The configuration differences at detail part level are then shown by use code letter.

B. When the top assembly part number is not changed by the Service Bulletin, the notations appear at the detail part level.

6. Parts Interchangeability

Optional  
(OPT)

The parts are optional to and interchangeable with other parts having the same item number.

Supersedes, Superseded By  
(SUPSDS, SUPSD BY)

The part supersedes and is not interchangeable with the original part.

Replaces, Replaced By  
(REPLS, REPLD BY)

The part replaces and is interchangeable with, or is an alternate to, the original part.

**55-40-13**

ILLUSTRATED PARTS LIST

01

Page 1001

Oct 01/87

VENDORS

OPTK6 SPS TECHNOLOGIES INC AEROSPACE PRODUCTS DIV  
5195 W 4700 SPO BOX 18459  
KEARNS, UTAH 84118

06725 AIR INDUSTRIES CORPORATION  
12570 KNOTT STREET  
GARDEN GROVE, CALIFORNIA 92641-3932

08524 DEUTSCH FASTENER CORP SEE CODE V97928

11815 CHERRY AEROSPACE FASTENERS DIV OF TEXTRON  
1224 EAST WARNER AVENUE PO BOX 2157  
SANTA ANA, CALIFORNIA 92707-0157

15653 KAYNAR TECHNOLOGY KAYNAR DIV  
800 SOUTH STATE COLLEGE BLVD PO BOX 3001  
FULLERTON, CALIFORNIA 92831-3001

17446 HUCK MFG CO GOV CONTRACTS LOS ANGELES DIV SUB OF FED-MOGUL  
900 WATSON CENTER ROAD  
CARSON, CALIFORNIA 90745

21335 TORRINGTON CO FAFNIR BEARING DIV  
59 FIELD STREET  
TORRINGTON, CONNECTICUT 06790-4942

30163 VALENTEC DAYRON INC  
333 MAGUIRE BLVD PO BOX 140394  
ORLANDO, FLORIDA 32814-0394

38443 MRC BEARINGS  
402 CHANDLER STREET  
JAMESTOWN, NEW YORK 14701-3802

43991 FAG BEARING INCORPORATED  
118 HAMILTON AVENUE  
STAMFORD, CONNECTICUT 06904

**55-40-13**

ILLUSTRATED PARTS LIST  
01.1 Page 1002  
Nov 01/00

**BOEING**  
COMPONENT  
MAINTENANCE MANUALVENDORS

5M902 FAIRCHILD IND INC FAIRCHILD AEROSPACE FASTENER DIV  
3016 W LOMITA BLVD  
TORRANCE, CALIFORNIA 90505-5103

52825 HOFFMAN CAMERA CORP  
19 GRAND AVENUE  
FARMINGTON, NEW YORK 11735-6315

52828 REPUBLIC FASTENER MFG CORP  
1300 RANCHO CONEJO BLVD  
NEWBURY PARK, CALIFORNIA 91320-1405

53551 ALLFAST FASTENING SYSTEMS INC  
15200 EAST DON JULIAN ROAD PO BOX 3166  
CITY OF INDUSTRY, CALIFORNIA 91745-1001

56878 SPS TECHNOLOGIES INC AEROSPACE AND INDUSTRIAL PRODUCTS DIV  
HIGHLAND AVENUE  
JENKINTOWN, PENNSYLVANIA 19046

60516 WEST COAST AEROSPACE INC  
812 MIRAFLORES STREET  
SAN PEDRO, CALIFORNIA 90731-1439

72962 HARVARD INDUSTRIES INC  
3 WERNER WAY SUITE 210  
LEBANON, NEW JERSEY 08833

73197 HI-SHEAR TECHNOLOGY CORP  
2600 SKYPARK DRIVE  
TORRANCE, CALIFORNIA 90509

80539 SPS TECHNOLOGIES INC AEROSPACE PRODUCTS DIV  
2701 SOUTH HARBOR BOULEVARD PO BOX 1259  
SANTA ANA, CALIFORNIA 92702-1259

83086 NEW HAMPSHIRE BALL BEARINGS, INCORPORATED  
ROUTE 202  
PETERBOROUGH, NEW HAMPSHIRE 03458

**55-40-13**ILLUSTRATED PARTS LIST  
01.1 Page 1003  
Nov 01/00

VENDORS

92215 FAIRCHILD IND INC FAIRCHILD AEROSPACE FASTENER DIV  
3010 W LOMITA BLVD  
TORRANCE, CALIFORNIA 90505-5102

98996 OLYMPIA FASTENING INV SEE V53551

**55-40-13**

ILLUSTRATED PARTS LIST  
01.1 Page 1004  
Nov 01/00


**BOEING**  
 COMPONENT  
 MAINTENANCE MANUAL

| PART NUMBER | AIRLINE<br>PART NO. | FIG. | ITEM | TTL<br>REQ |
|-------------|---------------------|------|------|------------|
| AF5141-3-1  |                     | 1    | 69A  | 4          |
|             |                     | 1    | 69G  | 8          |
|             |                     | 5    | 69G  | 8          |
|             |                     | 6    | 111  | 8          |
| AF5141-3-2  |                     | 1    | 31A  | 12         |
|             |                     | 1    | 40   | 24         |
|             |                     | 1    | 50A  | 48         |
|             |                     | 1    | 69N  | 4          |
|             |                     | 1    | 71A  | 12         |
|             |                     | 1    | 113A | 48         |
|             |                     | 1    | 485A | 18         |
|             |                     | 1    | 575  | 6          |
|             |                     | 1    | 595  | 24         |
|             |                     | 1    | 667  | 116        |
|             |                     | 1    | 691  | 54         |
|             |                     | 1    | 717  | 44         |
|             |                     | 1    | 743  | 40         |
|             |                     | 1    | 756  | 38         |
|             |                     | 1    | 773  | 36         |
|             |                     | 1    | 799  | 28         |
|             |                     | 1    | 815  | 522        |
|             |                     | 1    | 901  | 38         |
|             |                     | 1    | 915  | 38         |
|             |                     | 1    | 922  | 22         |
|             |                     | 1    | 929  | 32         |
|             |                     | 1    | 959  | 82         |
|             |                     | 2    | 92   | 18         |
|             |                     | 2    | 440A | 24         |
|             |                     | 2    | 555A | 24         |
|             |                     | 2    | 670A | 24         |
|             |                     | 5    | 31A  | 12         |
|             |                     | 5    | 40   | 24         |
|             |                     | 5    | 50A  | 48         |
|             |                     | 5    | 69N  | 4          |
|             |                     | 5    | 71A  | 12         |
|             |                     | 5    | 113A | 48         |
| 5           | 575                 | 6    |      |            |
| 5           | 595                 | 24   |      |            |
| 5           | 667                 | 116  |      |            |
| 5           | 691                 | 54   |      |            |
| 5           | 717                 | 44   |      |            |
| 5           | 743                 | 40   |      |            |
| 5           | 756                 | 38   |      |            |
| 5           | 773                 | 36   |      |            |
| 5           | 799                 | 28   |      |            |

# 55-40-13

ILLUSTRATED PARTS LIST

01.1

Page 1005

Nov 01/00



| PART NUMBER             | AIRLINE<br>PART NO. | FIG. | ITEM | TTL<br>REQ |
|-------------------------|---------------------|------|------|------------|
| AF5141-3-2              |                     | 5    | 815  | 522        |
|                         |                     | 5    | 901  | 38         |
|                         |                     | 5    | 915  | 38         |
|                         |                     | 5    | 922  | 22         |
|                         |                     | 5    | 929  | 32         |
|                         |                     | 5    | 959  | 82         |
|                         |                     | 6    | 54   | 12         |
|                         |                     | 6    | 87   | 24         |
|                         |                     | 6    | 96   | 48         |
|                         |                     | 6    | 114  | 4          |
|                         |                     | 6    | 120  | 12         |
|                         |                     | 6    | 168  | 48         |
|                         |                     | 6    | 231  | 6          |
|                         |                     | 6    | 261  | 24         |
|                         |                     | 6    | 335  | 116        |
|                         |                     | 6    | 371  | 54         |
|                         |                     | 6    | 407  | 44         |
|                         |                     | 6    | 443  | 40         |
|                         |                     | 6    | 479  | 38         |
|                         |                     | 6    | 514  | 36         |
|                         |                     | 6    | 550  | 28         |
|                         |                     | 6    | 583  | 522        |
|                         |                     | 6    | 730  | 38         |
|                         |                     | 6    | 757  | 38         |
|                         |                     | 6    | 784  | 22         |
|                         |                     | 6    | 811  | 32         |
|                         |                     | 6    | 847  | 84         |
|                         | 7                   | 660  | 18   |            |
| AF5141-3-3              |                     | 1    | 114  | 6          |
|                         |                     | 1    | 262A | 8          |
|                         |                     | 2    | 88   | 60         |
|                         |                     | 5    | 114  | 6          |
|                         |                     | 6    | 171  | 6          |
| AF5141-3-5<br>AN960C10L |                     | 7    | 332  | 8          |
|                         |                     | 1    | 50   | 48         |
|                         |                     | 1    | 121  | 47         |
|                         |                     | 2    | 502  | 1          |
|                         |                     | 3    | 30   | 22         |
|                         |                     | 4    | 45   | 22         |
|                         |                     | 5    | 121  | 47         |
| AN960C6L                |                     | 6    | 189  | 47         |
|                         |                     | 3    | 35   | 4          |
|                         |                     | 4    | 40   | 4          |
| AN960PD10L              |                     | 1    | 258G | 4          |
|                         |                     | 7    | 320  | 4          |
| AN960PD2016             |                     | 1    | 411  | 1          |
|                         |                     | 7    | 556  | 1          |

# 55-40-13

 ILLUSTRATED PARTS LIST  
 01.1 Page 1006  
 Nov 01/00


**BOEING**  
 COMPONENT  
 MAINTENANCE MANUAL

| PART NUMBER     | AIRLINE<br>PART NO. | FIG. | ITEM | TTL<br>REQ |
|-----------------|---------------------|------|------|------------|
| BACB10AC3L      |                     | 1    | 259  | 1          |
|                 |                     | 7    | 324  | 1          |
| BACB28AM11B024A |                     | 1    | 227  | 1          |
|                 |                     | 1    | 241  | 1          |
|                 |                     | 1    | 429  | 2          |
|                 |                     | 1    | 475  | 1          |
|                 |                     | 7    | 236  | 1          |
|                 |                     | 7    | 264  | 1          |
|                 |                     | 7    | 604  | 2          |
|                 |                     | 7    | 644  | 1          |
| BACB28AM14B027A |                     | 1    | 369  | 1          |
|                 |                     | 1    | 409  | 1          |
|                 |                     | 7    | 512  | 1          |
|                 |                     | 7    | 552  | 1          |
| BACB28AM14B031A |                     | 1    | 281  | 2          |
|                 |                     | 7    | 372  | 2          |
| BACB28AM19B048A |                     | 1    | 305  | 2          |
|                 |                     | 1    | 349  | 4          |
|                 |                     | 7    | 424  | 2          |
|                 |                     | 7    | 472  | 4          |
| BACB28AP10P047  |                     | 1    | 371  | 1          |
|                 |                     | 7    | 516  | 1          |
| BACB28AP14P048  |                     | 1    | 303  | 1          |
|                 |                     | 1    | 347  | 2          |
|                 |                     | 7    | 420  | 1          |
|                 |                     | 7    | 468  | 2          |
|                 |                     | 1    | 284G | 16         |
| BACB30FM8-8     |                     | 1    | 284G | 16         |
| BACB30FM8-9     |                     | 1    | 284J | 24         |
| BACB30FN8A4     |                     | 1    | 100G | 2          |
|                 |                     | 5    | 100G | 2          |
| BACB30LK4-7     |                     | 7    | 772  | 6          |
| BACB30LL3-4     |                     | 1    | 27G  | 2          |
|                 |                     | 5    | 27G  | 2          |
|                 |                     | 6    | 45   | 2          |
| BACB30LL4-7     |                     | 1    | 546H | 6          |
| BACB30LL4-9     |                     | 4    | 15   | 2          |
| BACB30MY6K2     |                     | 2    | 310  | 7          |
|                 |                     | 2    | 465  | 4          |
|                 |                     | 2    | 580  | 4          |
|                 |                     | 2    | 695  | 4          |
|                 |                     | 2    | 770  | 9          |
|                 |                     | 2    | 770  | 9          |

55-40-13

ILLUSTRATED PARTS LIST

01.1

Page 1007

Nov 01/00

| PART NUMBER | AIRLINE<br>PART NO. | FIG. | ITEM | TTL<br>REQ |
|-------------|---------------------|------|------|------------|
| BACB30MY6K3 |                     | 1    | 120A | 47         |
|             |                     | 1    | 127  | 12         |
| BACB30MY6K3 |                     | 1    | 139  | 9          |
|             |                     | 1    | 145  | 12         |
|             |                     | 1    | 181  | 7          |
|             |                     | 1    | 201  | 12         |
|             |                     | 1    | 206  | 6          |
|             |                     | 1    | 821  | 5          |
|             |                     | 1    | 827  | 10         |
|             |                     | 1    | 837  | 10         |
|             |                     | 1    | 843  | 8          |
|             |                     | 1    | 853  | 8          |
|             |                     | 1    | 863  | 6          |
|             |                     | 1    | 873  | 6          |
|             |                     | 1    | 879  | 4          |
|             |                     | 1    | 883  | 2          |
|             |                     | 5    | 120A | 47         |
|             |                     | 5    | 821  | 5          |
|             |                     | 5    | 827  | 10         |
|             |                     | 5    | 837  | 10         |
|             |                     | 5    | 843  | 8          |
|             |                     | 5    | 853  | 8          |
|             |                     | 5    | 863  | 6          |
|             |                     | 5    | 873  | 6          |
|             |                     | 5    | 879  | 4          |
|             |                     | 5    | 883  | 2          |
|             |                     | 6    | 186  | 47         |
|             |                     | 6    | 592  | 5          |
|             |                     | 6    | 601  | 10         |
| 6           | 613                 | 10   |      |            |
| 6           | 625                 | 8    |      |            |
| 6           | 637                 | 8    |      |            |
| 6           | 652                 | 6    |      |            |
| 6           | 667                 | 6    |      |            |
| 6           | 679                 | 4    |      |            |
| 6           | 688                 | 2    |      |            |
| 7           | 4                   | 12   |      |            |
| 7           | 28                  | 9    |      |            |
| 7           | 40                  | 12   |      |            |
| 7           | 88                  | 7    |      |            |
| 7           | 144                 | 12   |      |            |
| 7           | 172                 | 6    |      |            |
| BACB30MY6K4 |                     | 1    | 248  | 8          |
|             |                     | 1    | 835  | 5          |
|             |                     | 1    | 851  | 4          |
|             |                     | 1    | 861  | 3          |
|             |                     | 1    | 871  | 3          |

# 55-40-13

ILLUSTRATED PARTS LIST

01.1

Page 1008

Nov 01/00


**BOEING**  
 COMPONENT  
 MAINTENANCE MANUAL

| PART NUMBER                | AIRLINE<br>PART NO. | FIG. | ITEM | TTL<br>REQ |   |
|----------------------------|---------------------|------|------|------------|---|
| BACB30MY6K4                |                     | 5    | 835  | 5          |   |
|                            |                     | 5    | 851  | 4          |   |
|                            |                     | 5    | 861  | 3          |   |
|                            |                     | 5    | 871  | 3          |   |
|                            |                     | 6    | 610  | 5          |   |
|                            |                     | 6    | 634  | 4          |   |
|                            |                     | 6    | 649  | 3          |   |
|                            |                     | 6    | 664  | 3          |   |
|                            |                     | 7    | 288  | 8          |   |
|                            | BACB30MY6K5         |      | 1    | 84         | 3 |
|                            |                     |      | 1    | 200        | 8 |
|                            |                     |      | 1    | 205        | 8 |
|                            |                     |      | 7    | 140        | 8 |
|                            |                     |      | 7    | 168        | 8 |
|                            |                     | 1    | 77   | 3          |   |
| BACB30MY6K6<br>BACB30MY8K5 |                     | 1    | 133  | 10         |   |
|                            |                     | 1    | 187  | 5          |   |
|                            |                     | 1    | 192A | 5          |   |
|                            |                     | 1    | 211A | 2          |   |
|                            |                     | 1    | 269  | 14         |   |
|                            |                     | 1    | 357  | 4          |   |
|                            |                     | 1    | 403  | 4          |   |
|                            |                     | 7    | 16   | 10         |   |
|                            |                     | 7    | 100  | 5          |   |
|                            |                     | 7    | 112  | 5          |   |
|                            |                     | 7    | 204  | 2          |   |
|                            |                     | 7    | 352  | 14         |   |
|                            |                     | 7    | 492  | 4          |   |
|                            |                     | 7    | 532  | 4          |   |
|                            | BACB30MY8K6         |      | 1    | 196        | 3 |
|                            |                     |      | 1    | 213        | 2 |
|                            |                     | 1    | 293  | 6          |   |
|                            |                     | 1    | 337  | 16         |   |
|                            |                     | 1    | 361  | 4          |   |
|                            |                     | 1    | 405  | 4          |   |
|                            |                     | 1    | 465A | 6          |   |
|                            |                     | 7    | 124  | 3          |   |
|                            |                     | 7    | 208  | 2          |   |
|                            |                     | 7    | 400  | 6          |   |
|                            |                     | 7    | 448  | 16         |   |
|                            |                     | 7    | 496  | 4          |   |
|                            |                     | 7    | 536  | 4          |   |
|                            |                     | 7    | 624  | 6          |   |

55-40-13

ILLUSTRATED PARTS LIST

01.1

Page 1009

Nov 01/00

| PART NUMBER | AIRLINE<br>PART NO. | FIG. | ITEM | TTL<br>REQ |
|-------------|---------------------|------|------|------------|
| BACB30MY8K7 |                     | 1    | 151  | 9          |
|             |                     | 1    | 163  | 7          |
| BACB30MY8K7 |                     | 1    | 175  | 7          |
|             |                     | 1    | 215  | 4          |
|             |                     | 1    | 291  | 2          |
|             |                     | 7    | 52   | 9          |
|             |                     | 7    | 64   | 7          |
|             |                     | 7    | 76   | 7          |
|             |                     | 7    | 212  | 4          |
|             |                     | 7    | 396  | 2          |
| BACB30MY8K9 |                     | 1    | 217A | 2          |
|             |                     | 7    | 216  | 2          |
| BACB30NN3K4 |                     | 2    | 10A  | 5          |
| BACB30NN3K5 |                     | 2    | 415  | 12         |
|             |                     | 2    | 530  | 12         |
|             |                     | 2    | 645  | 12         |
| BACB30NN3K7 |                     | 2    | 25A  | 30         |
| BACB30NN3K8 |                     | 2    | 15A  | 2          |
| BACB30NN3K9 |                     | 2    | 20A  | 2          |
| BACB30NN3R3 |                     | 1    | 108  | 24         |
|             |                     | 5    | 108  | 24         |
|             |                     | 6    | 156  | 24         |
| BACB30NT3K3 |                     | 1    | 62   | 2          |
|             |                     | 1    | 65G  | 4          |
|             |                     | 1    | 481  | 9          |
|             |                     | 5    | 62   | 2          |
|             |                     | 5    | 65G  | 4          |
|             |                     | 6    | 105  | 6          |
|             |                     | 7    | 652  | 9          |
| BACB30NT3K5 |                     | 1    | 258  | 4          |
|             |                     | 7    | 316  | 4          |
| BACB30NT3K6 |                     | 1    | 64   | 1          |
| BACB30NT3K7 |                     | 1    | 65A  | 1          |
| BACB30NT4K4 |                     | 1    | 68G  | 6          |
|             |                     | 5    | 68G  | 6          |
|             |                     | 6    | 108  | 6          |
| BACB30NT4K5 |                     | 1    | 66   | 2          |
| BACB30NT4K6 |                     | 1    | 67A  | 2          |
| BACB30NT4K8 |                     | 1    | 68   | 2          |
| BACB30NU3K3 |                     | 1    | 28   | 1          |
|             |                     | 5    | 28   | 1          |
|             |                     | 6    | 48   | 1          |
| BACB30NU3K4 |                     | 1    | 27A  | 3          |
|             |                     | 5    | 27A  | 3          |
|             |                     | 6    | 42   | 3          |
| BACB30NU3K6 |                     | 3    | 10   | 22         |
|             |                     | 4    | 25   | 12         |

55-40-13

 ILLUSTRATED PARTS LIST  
 01.1 Page 1010  
 Nov 01/00



**BOEING**  
 COMPONENT  
 MAINTENANCE MANUAL

| PART NUMBER   | AIRLINE<br>PART NO. | FIG. | ITEM | TTL<br>REQ |
|---------------|---------------------|------|------|------------|
| BACB30NU3K6   |                     | 4    | 27   | 10         |
| BACB30NU4K7   |                     | 1    | 246  | 8          |
|               |                     | 7    | 280  | 8          |
| BACB30NU4K9   |                     | 3    | 15   | 24         |
|               |                     | 4    | 10   | 22         |
| BACB30NW10K10 |                     | 1    | 463  | 6          |
|               |                     | 7    | 620  | 6          |
| BACB30NW10K12 |                     | 1    | 289  | 6          |
|               |                     | 1    | 335  | 12         |
| BACB30NW10K8  |                     | 1    | 422  | 6          |
|               |                     | 7    | 588  | 6          |
| BACB30NW10K9  |                     | 1    | 209  | 6          |
|               |                     | 1    | 233  | 6          |
|               |                     | 1    | 265  | 12         |
|               |                     | 1    | 287  | 4          |
|               |                     | 1    | 333  | 8          |
|               |                     | 1    | 355  | 6          |
|               |                     | 1    | 399  | 6          |
|               |                     | 1    | 421  | 6          |
|               |                     | 7    | 200  | 6          |
|               |                     | 7    | 248  | 6          |
|               |                     | 7    | 388  | 4          |
|               |                     | 7    | 440  | 8          |
|               |                     | 7    | 488  | 6          |
|               |                     | 7    | 528  | 6          |
|               |                     | 7    | 584  | 6          |
| BACB30NW6K3   |                     | 1    | 119  | 10         |
|               |                     | 1    | 639  | 24         |
|               |                     | 1    | 649  | 23         |
|               |                     | 1    | 655  | 20         |
|               |                     | 1    | 783  | 11         |
|               |                     | 1    | 803  | 250        |
|               |                     | 1    | 819  | 5          |
|               |                     | 1    | 895  | 17         |
|               |                     | 1    | 905  | 17         |
|               |                     | 1    | 917  | 9          |
|               |                     | 2    | 305  | 11         |
|               |                     | 2    | 455  | 6          |
|               |                     | 2    | 570  | 8          |
|               |                     | 2    | 685  | 8          |
|               |                     | 2    | 760  | 15         |
|               |                     | 5    | 119  | 10         |
|               |                     | 5    | 639  | 24         |
|               |                     | 5    | 649  | 23         |
|               |                     | 5    | 655  | 20         |

**55-40-13**

ILLUSTRATED PARTS LIST  
 01.1 Page 1011  
 Nov 01/00

| PART NUMBER | AIRLINE<br>PART NO. | FIG. | ITEM | TTL<br>REQ |
|-------------|---------------------|------|------|------------|
| BACB30NW6K3 |                     | 5    | 783  | 11         |
|             |                     | 5    | 803  | 250        |
|             |                     | 5    | 819  | 5          |
|             |                     | 5    | 895  | 17         |
|             |                     | 5    | 905  | 17         |
|             |                     | 5    | 917  | 9          |
|             |                     | 6    | 183  | 10         |
|             |                     | 6    | 291  | 24         |
|             |                     | 6    | 314  | 23         |
|             |                     | 6    | 320  | 20         |
|             |                     | 6    | 526  | 11         |
|             |                     | 6    | 562  | 250        |
|             |                     | 6    | 589  | 5          |
|             |                     | 6    | 715  | 17         |
|             |                     | 6    | 742  | 17         |
|             |                     | 6    | 769  | 9          |
|             | BACB30NW6K4         |      | 1    | 94A        |
|             |                     | 1    | 529  | 2          |
|             |                     | 1    | 539  | 158        |
|             |                     | 1    | 555  | 8          |
|             |                     | 1    | 561  | 8          |
|             |                     | 1    | 581  | 128        |
|             |                     | 1    | 631  | 40         |
|             |                     | 1    | 637  | 30         |
|             |                     | 1    | 673  | 25         |
|             |                     | 1    | 697  | 20         |
|             |                     | 1    | 723  | 18         |
|             |                     | 1    | 746  | 17         |
|             |                     | 1    | 951  | 189        |
|             |                     | 2    | 127A | 88         |
|             |                     | 2    | 145A | 2          |
|             |                     | 2    | 190A | 4          |
|             |                     | 2    | 205  | 84         |
|             |                     | 2    | 220  | 4          |
|             |                     | 2    | 935  | 12         |
|             |                     | 3    | 20   | 22         |
|             |                     | 4    | 35   | 22         |
|             |                     | 5    | 94A  | 14         |
|             |                     | 5    | 555  | 8          |
|             | 5                   | 561  | 8    |            |
|             | 5                   | 581  | 128  |            |
|             | 5                   | 631  | 40   |            |
|             | 5                   | 637  | 30   |            |
|             | 5                   | 673  | 25   |            |
|             | 5                   | 697  | 20   |            |

55-40-13

 ILLUSTRATED PARTS LIST  
 01.1 Page 1012  
 Nov 01/00


**BOEING**  
 COMPONENT  
 MAINTENANCE MANUAL

| PART NUMBER | AIRLINE<br>PART NO. | FIG. | ITEM | TTL<br>REQ |    |
|-------------|---------------------|------|------|------------|----|
| BACB30NW6K4 |                     | 5    | 723  | 18         |    |
|             |                     | 5    | 746  | 17         |    |
|             |                     | 5    | 951  | 189        |    |
|             |                     | 6    | 129  | 14         |    |
|             |                     | 6    | 198  | 8          |    |
|             |                     | 6    | 207  | 8          |    |
|             |                     | 6    | 240  | 128        |    |
|             |                     | 6    | 276  | 40         |    |
|             |                     | 6    | 285  | 30         |    |
|             |                     | 6    | 347  | 25         |    |
|             |                     | 6    | 383  | 20         |    |
|             |                     | 6    | 419  | 18         |    |
|             |                     | 6    | 455  | 17         |    |
|             |                     | 6    | 838  | 189        |    |
|             |                     | 7    | 720  | 2          |    |
|             |                     | 7    | 752  | 158        |    |
|             | BACB30NW6K5         |      | 1    | 491        | 20 |
|             |                     |      | 1    | 497        | 50 |
|             |                     |      | 1    | 501        | 46 |
|             |                     |      | 1    | 513        | 58 |
|             |                     | 1    | 527  | 4          |    |
|             |                     | 1    | 536A | 6          |    |
|             |                     | 1    | 541  | 48         |    |
|             |                     | 1    | 675  | 1          |    |
|             |                     | 1    | 701  | 1          |    |
|             |                     | 1    | 727  | 1          |    |
|             |                     | 1    | 748  | 1          |    |
|             |                     | 1    | 761  | 15         |    |
|             |                     | 1    | 785  | 1          |    |
|             |                     | 1    | 804  | 11         |    |
|             |                     | 1    | 924  | 14         |    |
|             |                     | 2    | 150A | 2          |    |
|             |                     | 2    | 210  | 6          |    |
|             |                     | 2    | 225  | 2          |    |
|             |                     | 2    | 285  | 4          |    |
|             |                     | 2    | 340  | 60         |    |
|             | 2                   | 400  | 6    |            |    |
|             | 2                   | 500  | 8    |            |    |
|             | 2                   | 500A | 7    |            |    |
|             | 2                   | 615  | 8    |            |    |
|             | 2                   | 730  | 8    |            |    |
|             | 2                   | 800  | 56   |            |    |
|             | 2                   | 840  | 4    |            |    |
|             | 2                   | 855  | 52   |            |    |
|             | 2                   | 915  | 4    |            |    |

55-40-13

ILLUSTRATED PARTS LIST

01.1

Page 1013

Nov 01/00



| PART NUMBER | AIRLINE<br>PART NO. | FIG. | ITEM | TTL<br>REQ |   |
|-------------|---------------------|------|------|------------|---|
| BACB30NW6K5 |                     | 2    | 930  | 22         |   |
|             |                     | 5    | 675  | 1          |   |
|             |                     | 5    | 701  | 1          |   |
|             |                     | 5    | 727  | 1          |   |
|             |                     | 5    | 748  | 1          |   |
|             |                     | 5    | 761  | 15         |   |
|             |                     | 5    | 785  | 1          |   |
|             |                     | 5    | 804  | 11         |   |
|             |                     | 5    | 924  | 14         |   |
|             |                     | 6    | 353  | 1          |   |
|             |                     | 6    | 389  | 1          |   |
|             |                     | 6    | 425  | 1          |   |
|             |                     | 6    | 461  | 1          |   |
|             |                     | 6    | 494  | 15         |   |
|             |                     | 6    | 532  | 1          |   |
|             |                     | 6    | 565  | 11         |   |
|             |                     | 6    | 796  | 14         |   |
|             |                     | 7    | 668  | 20         |   |
|             |                     | 7    | 680  | 50         |   |
|             |                     | 7    | 692  | 46         |   |
|             |                     | 7    | 700  | 58         |   |
|             |                     | 7    | 716  | 4          |   |
|             |                     | 7    | 736  | 6          |   |
|             |                     | 7    | 756  | 48         |   |
|             | BACB30NW6K6         |      | 1    | 542        | 4 |
|             |                     |      | 1    | 563        | 2 |
|             |                     |      | 1    | 583        | 9 |
|             |                     | 5    | 563  | 2          |   |
|             |                     | 5    | 583  | 9          |   |
|             |                     | 6    | 210  | 2          |   |
|             |                     | 6    | 243  | 9          |   |
| BACB30NW6K7 |                     | 7    | 760  | 4          |   |
|             |                     | 1    | 247  | 8          |   |
|             |                     | 1    | 759  | 1          |   |
|             |                     | 2    | 110A | 4          |   |
|             |                     | 2    | 125A | 2          |   |
|             |                     | 2    | 135A | 2          |   |
|             |                     | 2    | 300  | 6          |   |
|             |                     | 2    | 460  | 6          |   |
|             |                     | 2    | 575  | 6          |   |
|             |                     | 2    | 690  | 6          |   |
|             |                     | 2    | 765  | 6          |   |
|             |                     | 5    | 759  | 1          |   |
|             |                     | 6    | 491  | 1          |   |
|             | 7                   | 284  | 8    |            |   |

# 55-40-13

 ILLUSTRATED PARTS LIST  
 01.1 Page 1014  
 Nov 01/00


**BOEING**  
 COMPONENT  
 MAINTENANCE MANUAL

| PART NUMBER | AIRLINE<br>PART NO. | FIG. | ITEM | TTL<br>REQ |
|-------------|---------------------|------|------|------------|
| BACB30NW6R3 |                     | 1    | 640  | 1          |
|             |                     | 1    | 699A | 1          |
|             |                     | 1    | 725A | 1          |
|             |                     | 1    | 747A | 1          |
|             |                     | 1    | 784  | 2          |
|             |                     | 1    | 895G | 2          |
|             |                     | 1    | 906  | 2          |
|             |                     | 1    | 917G | 2          |
|             |                     | 5    | 640  | 1          |
|             |                     | 5    | 699A | 1          |
|             |                     | 5    | 725A | 1          |
|             |                     | 5    | 747A | 1          |
|             |                     | 5    | 784  | 2          |
|             |                     | 5    | 895G | 2          |
|             |                     | 5    | 906  | 2          |
|             |                     | 5    | 917G | 2          |
|             |                     | 6    | 294  | 1          |
|             |                     | 6    | 386  | 1          |
|             |                     | 6    | 422  | 1          |
|             |                     | 6    | 458  | 1          |
|             |                     | 6    | 529  | 2          |
|             |                     | 6    | 718  | 2          |
|             |                     | 6    | 745  | 2          |
|             |                     | 6    | 772  | 2          |
| BACB30NW6R4 |                     | 1    | 638  | 3          |
|             |                     | 1    | 674  | 1          |
|             |                     | 5    | 638  | 3          |
|             |                     | 5    | 674  | 1          |
|             |                     | 6    | 288  | 3          |
|             |                     | 6    | 350  | 1          |
| BACB30NW6R5 |                     | 1    | 762  | 2          |
|             |                     | 1    | 924G | 2          |
|             |                     | 5    | 762  | 2          |
|             |                     | 5    | 924G | 2          |
|             |                     | 6    | 497  | 2          |
| BACB30NW6R6 |                     | 6    | 799  | 2          |
|             |                     | 1    | 564  | 1          |
|             |                     | 1    | 584  | 3          |
|             |                     | 5    | 564  | 1          |
|             |                     | 5    | 584  | 3          |
|             |                     | 6    | 213  | 1          |
|             |                     | 6    | 246  | 3          |

55-40-13

ILLUSTRATED PARTS LIST

01.1

Page 1015

Nov 01/00

| PART NUMBER   | AIRLINE<br>PART NO. | FIG. | ITEM | TTL<br>REQ |
|---------------|---------------------|------|------|------------|
| BACB30NW8K4   |                     | 1    | 96   | 26         |
|               |                     | 5    | 96   | 26         |
|               |                     | 6    | 132  | 28         |
| BACB30NW8K5   |                     | 1    | 98   | 4          |
|               |                     | 1    | 543  | 6          |
|               |                     | 1    | 890  | 4          |
|               |                     | 5    | 98   | 4          |
|               |                     | 5    | 890  | 4          |
|               |                     | 6    | 135  | 4          |
|               |                     | 6    | 697  | 4          |
| BACB30NW8K6   |                     | 7    | 764  | 6          |
|               |                     | 1    | 545  | 30         |
|               |                     | 7    | 768  | 30         |
| BACB30NW8K7   |                     | 1    | 100  | 4          |
|               |                     | 5    | 100  | 4          |
| BACB30NY10K12 |                     | 6    | 138  | 4          |
|               |                     | 1    | 289A | 6          |
|               |                     | 1    | 335A | 12         |
|               |                     | 7    | 392  | 6          |
| BACB30NY10K9  |                     | 7    | 444  | 12         |
|               |                     | 1    | 265A | 12         |
|               |                     | 7    | 348  | 12         |
| BACB30UR3K3   |                     | 1    | 645A | 24         |
|               |                     | 1    | 789A | 11         |
|               |                     | 1    | 807A | 250        |
|               |                     | 1    | 897A | 17         |
|               |                     | 1    | 909A | 17         |
|               |                     | 1    | 919A | 9          |
|               |                     | 5    | 645A | 24         |
|               |                     | 5    | 789A | 11         |
|               |                     | 5    | 807A | 250        |
|               |                     | 5    | 897A | 17         |
|               |                     | 5    | 909A | 17         |
|               |                     | 5    | 919A | 9          |
|               |                     | 6    | 306  | 24         |
|               |                     | 6    | 538  | 11         |
| 6             | 571                 | 250  |      |            |
| 6             | 724                 | 17   |      |            |
| 6             | 751                 | 17   |      |            |
| 6             | 778                 | 9    |      |            |

# 55-40-13

 ILLUSTRATED PARTS LIST  
 01.1 Page 1016  
 Nov 01/00


**BOEING**  
 COMPONENT  
 MAINTENANCE MANUAL

| PART NUMBER | AIRLINE<br>PART NO. | FIG. | ITEM | TTL<br>REQ |    |
|-------------|---------------------|------|------|------------|----|
| BACB30UR3K4 |                     | 1    | 643A | 30         |    |
|             |                     | 1    | 679A | 25         |    |
|             |                     | 1    | 705A | 20         |    |
|             |                     | 1    | 731A | 18         |    |
|             |                     | 1    | 750A | 17         |    |
|             |                     | 1    | 955A | 41         |    |
|             |                     | 5    | 643A | 30         |    |
|             |                     | 5    | 679A | 25         |    |
|             | BACB30UR3K4         |      | 5    | 705A       | 20 |
|             |                     |      | 5    | 731A       | 18 |
|             |                     | 5    | 750A | 17         |    |
|             |                     | 5    | 955A | 41         |    |
|             |                     | 6    | 300  | 30         |    |
|             |                     | 6    | 359  | 25         |    |
|             |                     | 6    | 395  | 20         |    |
|             |                     | 6    | 431  | 18         |    |
|             |                     | 6    | 467  | 17         |    |
|             |                     | 6    | 844  | 42         |    |
| BACB30UR3K5 |                     | 1    | 681A | 1          |    |
|             |                     | 1    | 709A | 1          |    |
|             |                     | 1    | 735A | 1          |    |
|             |                     | 1    | 752A | 1          |    |
|             |                     | 1    | 767A | 15         |    |
|             |                     | 1    | 791A | 1          |    |
|             |                     | 1    | 808A | 11         |    |
|             |                     | 1    | 926A | 14         |    |
|             |                     | 5    | 681A | 1          |    |
|             |                     | 5    | 709A | 1          |    |
|             |                     | 5    | 735A | 1          |    |
|             |                     | 5    | 752A | 1          |    |
|             |                     | 5    | 767A | 15         |    |
|             |                     | 5    | 791A | 1          |    |
|             |                     | 5    | 808A | 11         |    |
|             |                     | 5    | 926A | 14         |    |
|             |                     | 6    | 365  | 1          |    |
|             |                     | 6    | 401  | 1          |    |
|             |                     | 6    | 437  | 1          |    |
|             |                     | 6    | 473  | 1          |    |
|             | 6                   | 506  | 15   |            |    |
|             | 6                   | 544  | 1    |            |    |
|             | 6                   | 574  | 11   |            |    |
|             | 6                   | 805  | 14   |            |    |

# 55-40-13

ILLUSTRATED PARTS LIST

01.1

Page 1017

Nov 01/00

| PART NUMBER | AIRLINE<br>PART NO. | FIG. | ITEM | TTL<br>REQ |
|-------------|---------------------|------|------|------------|
| BACB30UR3K6 |                     | 1    | 567A | 2          |
|             |                     | 1    | 585A | 9          |
|             |                     | 5    | 567A | 2          |
|             |                     | 5    | 585A | 9          |
|             |                     | 6    | 219  | 2          |
|             |                     | 6    | 249  | 9          |
| BACB30UR3K7 |                     | 1    | 765A | 1          |
|             |                     | 5    | 765A | 1          |
|             |                     | 6    | 503  | 1          |
| BACB30UR3R3 |                     | 1    | 646  | 1          |
| BACB30UR3R3 |                     | 1    | 707A | 1          |
|             |                     | 1    | 733A | 1          |
|             |                     | 1    | 751A | 1          |
|             |                     | 1    | 790  | 2          |
|             |                     | 1    | 897G | 2          |
|             |                     | 1    | 910  | 2          |
|             |                     | 1    | 919G | 2          |
|             |                     | 5    | 646  | 1          |
|             |                     | 5    | 707A | 1          |
|             |                     | 5    | 733A | 1          |
|             |                     | 5    | 751A | 1          |
|             |                     | 5    | 790  | 2          |
|             |                     | 5    | 897G | 2          |
|             |                     | 5    | 910  | 2          |
|             |                     | 5    | 919G | 2          |
|             |                     | 6    | 309  | 1          |
|             |                     | 6    | 398  | 1          |
| 6           | 434                 | 1    |      |            |
| 6           | 470                 | 1    |      |            |
| 6           | 541                 | 2    |      |            |
| 6           | 727                 | 2    |      |            |
| 6           | 754                 | 2    |      |            |
| 6           | 781                 | 2    |      |            |
| BACB30UR3R4 |                     | 1    | 644  | 3          |
|             |                     | 1    | 680  | 1          |
|             |                     | 5    | 644  | 3          |
|             |                     | 5    | 680  | 1          |
|             |                     | 6    | 303  | 3          |
|             |                     | 6    | 362  | 1          |
| BACB30UR3R5 |                     | 1    | 767G | 2          |
|             |                     | 1    | 926G | 2          |
|             |                     | 5    | 767G | 2          |
|             |                     | 5    | 926G | 2          |
|             |                     | 6    | 509  | 2          |
|             |                     | 6    | 808  | 2          |

# 55-40-13

 ILLUSTRATED PARTS LIST  
 01.1 Page 1018  
 Nov 01/00


**BOEING**  
 COMPONENT  
 MAINTENANCE MANUAL

| PART NUMBER | AIRLINE<br>PART NO. | FIG. | ITEM | TTL<br>REQ |
|-------------|---------------------|------|------|------------|
| BACB30UR3R6 |                     | 1    | 568  | 1          |
|             |                     | 1    | 586  | 3          |
|             |                     | 5    | 568  | 1          |
|             |                     | 5    | 586  | 3          |
|             |                     | 6    | 222  | 1          |
|             |                     | 6    | 252  | 3          |
| BACB30VF3K6 |                     | 4    | 27A  | 10         |
| BACC30AB6S  |                     | 1    | 78   | 3          |
|             |                     | 1    | 86   | 3          |
|             |                     | 1    | 102  | 14         |
|             |                     | 1    | 122A | 57         |

# 55-40-13

 ILLUSTRATED PARTS LIST  
 01.1 Page 1019  
 Nov 01/00

| PART NUMBER | AIRLINE<br>PART NO. | FIG. | ITEM | TTL<br>REQ |
|-------------|---------------------|------|------|------------|
| BACC30AB6S  |                     | 1    | 129  | 12         |
|             |                     | 1    | 141  | 9          |
|             |                     | 1    | 147  | 12         |
|             |                     | 1    | 183  | 7          |
|             |                     | 1    | 202A | 12         |
|             |                     | 1    | 207A | 6          |
|             |                     | 1    | 493  | 20         |
|             |                     | 1    | 499  | 50         |
|             |                     | 1    | 503  | 46         |
|             |                     | 1    | 517A | 58         |
|             |                     | 1    | 533  | 6          |
|             |                     | 1    | 537  | 6          |
|             |                     | 1    | 547  | 210        |
|             |                     | 1    | 557  | 8          |
|             |                     | 1    | 565  | 11         |
|             |                     | 1    | 587  | 140        |
|             |                     | 1    | 633  | 40         |
|             |                     | 1    | 641  | 58         |
|             |                     | 1    | 651  | 23         |
|             |                     | 1    | 657  | 20         |
|             |                     | 1    | 677  | 27         |
|             |                     | 1    | 703  | 22         |
|             |                     | 1    | 729  | 20         |
|             |                     | 1    | 749  | 19         |
|             |                     | 1    | 763  | 18         |
|             |                     | 1    | 787  | 14         |
|             |                     | 1    | 805  | 261        |
|             |                     | 1    | 823  | 10         |
|             |                     | 1    | 829  | 10         |
|             |                     | 1    | 839  | 15         |
|             | 1                   | 845  | 8    |            |
|             | 1                   | 855  | 12   |            |
|             | 1                   | 865  | 9    |            |
|             | 1                   | 875  | 9    |            |
|             | 1                   | 881  | 4    |            |
|             | 1                   | 885  | 2    |            |
|             | 1                   | 896  | 19   |            |
|             | 1                   | 907  | 19   |            |
|             | 1                   | 918  | 11   |            |
|             | 1                   | 925  | 16   |            |
|             | 1                   | 953  | 189  |            |
|             | 2                   | 115A | 4    |            |
|             | 2                   | 130A | 90   |            |
|             | 2                   | 195A | 4    |            |
|             | 2                   | 215  | 90   |            |

# 55-40-13

 ILLUSTRATED PARTS LIST  
 01.1 Page 1020  
 Nov 01/00


**BOEING**  
 COMPONENT  
 MAINTENANCE MANUAL

| PART NUMBER | AIRLINE<br>PART NO. | FIG. | ITEM | TTL<br>REQ |
|-------------|---------------------|------|------|------------|
| BACC30AB6S  |                     | 2    | 290  | 4          |
|             |                     | 2    | 315  | 24         |
|             |                     | 2    | 345  | 60         |
|             |                     | 2    | 405  | 6          |
|             |                     | 2    | 470A | 16         |
|             |                     | 2    | 505  | 8          |
|             |                     | 2    | 505A | 7          |
|             |                     | 2    | 585  | 18         |
|             |                     | 2    | 620  | 8          |
|             |                     | 2    | 700  | 18         |
|             |                     | 2    | 735  | 8          |
|             |                     | 2    | 775  | 30         |
|             |                     | 2    | 805  | 56         |
|             |                     | 2    | 845  | 4          |
|             |                     | 2    | 860  | 52         |
|             |                     | 2    | 920  | 4          |
|             |                     | 2    | 940A | 34         |
|             |                     | 3    | 40   | 22         |
|             |                     | 4    | 55   | 22         |
|             |                     | 5    | 102  | 14         |
|             |                     | 5    | 122A | 57         |
|             |                     | 5    | 557  | 8          |
|             |                     | 5    | 565  | 11         |
|             |                     | 5    | 587  | 140        |
|             |                     | 5    | 633  | 40         |
|             |                     | 5    | 641  | 58         |
|             |                     | 5    | 651  | 23         |
|             |                     | 5    | 657  | 20         |
|             |                     | 5    | 677  | 27         |
|             |                     | 5    | 703  | 22         |
|             |                     | 5    | 729  | 20         |
|             |                     | 5    | 749  | 19         |
|             |                     | 5    | 763  | 18         |
|             |                     | 5    | 787  | 14         |
|             |                     | 5    | 805  | 261        |
|             |                     | 5    | 823  | 10         |
|             | 5                   | 829  | 10   |            |
|             | 5                   | 839  | 15   |            |
|             | 5                   | 845  | 8    |            |
|             | 5                   | 855  | 12   |            |
|             | 5                   | 865  | 9    |            |
|             | 5                   | 875  | 9    |            |
|             | 5                   | 881  | 4    |            |
|             | 5                   | 885  | 2    |            |
|             | 5                   | 896  | 19   |            |

# 55-40-13

ILLUSTRATED PARTS LIST

01.1

Page 1021

Nov 01/00



| PART NUMBER | AIRLINE<br>PART NO. | FIG. | ITEM | TTL<br>REQ |
|-------------|---------------------|------|------|------------|
| BACC30AB6S  |                     | 5    | 907  | 19         |
|             |                     | 5    | 918  | 11         |
|             |                     | 5    | 925  | 16         |
|             |                     | 5    | 953  | 189        |
|             |                     | 6    | 141  | 14         |
|             |                     | 6    | 192  | 57         |
|             |                     | 6    | 201  | 8          |
|             |                     | 6    | 216  | 11         |
|             |                     | 6    | 255  | 140        |
|             |                     | 6    | 279  | 40         |
|             |                     | 6    | 297  | 58         |
|             |                     | 6    | 317  | 23         |
|             |                     | 6    | 323  | 20         |
|             |                     | 6    | 356  | 27         |
|             |                     | 6    | 392  | 22         |
|             |                     | 6    | 428  | 20         |
|             |                     | 6    | 464  | 19         |
|             |                     | 6    | 500  | 18         |
|             |                     | 6    | 535  | 14         |
|             |                     | 6    | 568  | 261        |
|             |                     | 6    | 595  | 10         |
|             |                     | 6    | 604  | 10         |
|             |                     | 6    | 616  | 15         |
|             |                     | 6    | 628  | 8          |
|             |                     | 6    | 640  | 12         |
|             |                     | 6    | 655  | 9          |
|             |                     | 6    | 670  | 9          |
|             |                     | 6    | 682  | 4          |
|             |                     | 6    | 691  | 2          |
|             |                     | 6    | 721  | 19         |
|             |                     | 6    | 748  | 19         |
|             |                     | 6    | 775  | 11         |
|             |                     | 6    | 802  | 16         |
|             |                     | 6    | 841  | 189        |
|             | 7                   | 8    | 12   |            |
|             | 7                   | 32   | 9    |            |
|             | 7                   | 44   | 12   |            |
|             | 7                   | 92   | 7    |            |
|             | 7                   | 156  | 12   |            |
|             | 7                   | 184  | 6    |            |
|             | 7                   | 672  | 20   |            |
|             | 7                   | 684  | 50   |            |
|             | 7                   | 696  | 46   |            |
|             | 7                   | 704  | 58   |            |
|             | 7                   | 724  | 6    |            |

# 55-40-13

 ILLUSTRATED PARTS LIST  
 01.1 Page 1022  
 Nov 01/00


**BOEING**  
 COMPONENT  
 MAINTENANCE MANUAL

| PART NUMBER | AIRLINE<br>PART NO. | FIG. | ITEM | TTL<br>REQ |
|-------------|---------------------|------|------|------------|
| BACC30AB6S  |                     | 7    | 740  | 6          |
|             |                     | 7    | 788  | 210        |
| BACC30AB8S  |                     | 1    | 104  | 36         |
|             |                     | 1    | 135A | 10         |
|             |                     | 1    | 153A | 9          |
|             |                     | 1    | 165A | 7          |
|             |                     | 1    | 177A | 7          |
|             |                     | 1    | 189A | 5          |
|             |                     | 1    | 193A | 5          |
|             |                     | 1    | 197  | 3          |
|             |                     | 1    | 221A | 10         |
|             |                     | 1    | 273A | 14         |
|             |                     | 1    | 365A | 8          |
|             |                     | 1    | 407A | 8          |
|             |                     | 1    | 469A | 6          |
|             |                     | 1    | 549  | 36         |
|             |                     | 1    | 891  | 4          |
|             |                     | 5    | 104  | 36         |
|             |                     | 5    | 891  | 4          |
|             |                     | 6    | 144  | 36         |
|             |                     | 6    | 700  | 4          |
|             |                     | 7    | 20   | 10         |
|             |                     | 7    | 56   | 9          |
|             |                     | 7    | 68   | 7          |
|             |                     | 7    | 80   | 7          |
|             |                     | 7    | 104  | 5          |
|             |                     | 7    | 116  | 5          |
|             |                     | 7    | 128  | 3          |
|             |                     | 7    | 224  | 10         |
|             |                     | 7    | 360  | 14         |
|             |                     | 7    | 504  | 8          |
|             |                     | 7    | 544  | 8          |
|             |                     | 7    | 632  | 6          |
|             |                     | 7    | 792  | 36         |
| BACC30AG6   |                     | 2    | 155A | 6          |
|             |                     | 2    | 230  | 6          |
| BACC30M10   |                     | 1    | 219  | 6          |
|             |                     | 1    | 235  | 6          |
|             |                     | 1    | 271  | 12         |
|             |                     | 1    | 295  | 10         |
|             |                     | 1    | 339  | 20         |
|             |                     | 1    | 363  | 6          |
|             |                     | 1    | 406  | 6          |
|             |                     | 1    | 423  | 12         |
|             |                     | 1    | 467  | 6          |

55-40-13

ILLUSTRATED PARTS LIST

01.1

Page 1023

Nov 01/00

| PART NUMBER     | AIRLINE<br>PART NO. | FIG. | ITEM | TTL<br>REQ |
|-----------------|---------------------|------|------|------------|
| BACC30M10       |                     | 7    | 220  | 6          |
|                 |                     | 7    | 252  | 6          |
|                 |                     | 7    | 356  | 12         |
|                 |                     | 7    | 404  | 10         |
|                 |                     | 7    | 452  | 20         |
|                 |                     | 7    | 500  | 6          |
|                 |                     | 7    | 540  | 6          |
|                 |                     | 7    | 592  | 12         |
|                 |                     | 7    | 628  | 6          |
| BACC30M6        |                     | 1    | 202  | 8          |
|                 |                     | 1    | 207  | 8          |
|                 |                     | 1    | 249  | 16         |
|                 |                     | 7    | 152  | 8          |
|                 |                     | 7    | 180  | 8          |
|                 |                     | 7    | 296  | 16         |
|                 |                     | 7    | 284L | 40         |
| BACC30M8        |                     | 1    | 297  | 8          |
|                 |                     | 1    | 341  | 16         |
|                 |                     | 7    | 408  | 8          |
|                 |                     | 7    | 456  | 16         |
|                 |                     | 7    | 255  | 4          |
| BACF33C105-550E |                     | 7    | 308  | 4          |
| BACN10JC06CM    |                     | 3    | 45   | 4          |
|                 |                     | 4    | 50   | 4          |
| BACN10JC4CM     |                     | 1    | 546T | 6          |
|                 |                     | 7    | 780  | 6          |
| BACN10JQ32CD    |                     | 2    | 85   | 5          |
| BACN10JR3CFD    |                     | 1    | 32A  | 2          |
|                 |                     | 1    | 43B  | 10         |
|                 |                     | 1    | 112A | 27         |
|                 |                     | 1    | 261A | 4          |
|                 |                     | 1    | 483A | 9          |
|                 |                     | 1    | 573A | 1          |
|                 |                     | 1    | 593A | 9          |
|                 |                     | 1    | 663A | 58         |
|                 |                     | 1    | 689A | 25         |
|                 |                     | 1    | 715A | 19         |
|                 |                     | 1    | 739A | 17         |
|                 |                     | 1    | 754A | 16         |
|                 |                     | 1    | 771A | 17         |
|                 |                     | 1    | 795A | 11         |
|                 |                     | 1    | 813A | 261        |
|                 | 1                   | 899A | 18   |            |
|                 | 1                   | 913A | 18   |            |
|                 | 1                   | 921A | 10   |            |

55-40-13

 ILLUSTRATED PARTS LIST  
 01.1 Page 1024  
 Nov 01/00


**BOEING**  
 COMPONENT  
 MAINTENANCE MANUAL

| PART NUMBER  | AIRLINE<br>PART NO. | FIG. | ITEM | TTL<br>REQ |
|--------------|---------------------|------|------|------------|
| BACN10JR3CFD |                     | 1    | 928A | 16         |
|              |                     | 1    | 957A | 41         |
|              |                     | 2    | 80A  | 34         |
|              |                     | 2    | 435A | 12         |
|              |                     | 2    | 550A | 12         |
|              |                     | 2    | 665A | 12         |
|              |                     | 5    | 32A  | 2          |
|              |                     | 5    | 43B  | 10         |
|              |                     | 5    | 112A | 27         |
|              |                     | 5    | 573A | 1          |
|              |                     | 5    | 593A | 9          |
|              |                     | 5    | 663A | 58         |
|              |                     | 5    | 689A | 25         |
|              |                     | 5    | 715A | 19         |
|              |                     | 5    | 739A | 17         |
|              |                     | 5    | 754A | 16         |
|              |                     | 5    | 771A | 17         |
|              |                     | 5    | 795A | 11         |
|              |                     | 5    | 813A | 261        |
|              |                     | 5    | 899A | 18         |
|              |                     | 5    | 913A | 18         |
|              |                     | 5    | 921A | 10         |
|              |                     | 5    | 928A | 16         |
|              |                     | 5    | 957A | 41         |
|              |                     | 6    | 57   | 2          |
|              |                     | 6    | 93   | 10         |
|              |                     | 6    | 174  | 27         |
|              |                     | 6    | 237  | 1          |
|              |                     | 6    | 267  | 9          |
|              |                     | 6    | 338  | 58         |
|              |                     | 6    | 377  | 25         |
|              |                     | 6    | 413  | 19         |
|              |                     | 6    | 446  | 17         |
|              |                     | 6    | 482  | 16         |
|              |                     | 6    | 520  | 17         |
|              |                     | 6    | 553  | 11         |
|              |                     | 6    | 586  | 261        |
|              |                     | 6    | 736  | 18         |
|              |                     | 6    | 763  | 18         |
|              |                     | 6    | 790  | 10         |
|              |                     | 6    | 814  | 16         |
|              |                     | 6    | 850  | 42         |
|              | 7                   | 336  | 4    |            |
|              | 7                   | 664  | 9    |            |

# 55-40-13

ILLUSTRATED PARTS LIST

01.1

Page 1025

Nov 01/00

| PART NUMBER   | AIRLINE<br>PART NO. | FIG. | ITEM | TTL<br>REQ |
|---------------|---------------------|------|------|------------|
| BACN10JR4CFD  |                     | 1    | 52A  | 24         |
| BACN10JR4CFD  |                     | 1    | 72A  | 6          |
|               |                     | 5    | 72A  | 6          |
|               |                     | 6    | 123  | 6          |
| BACN10KE3B3CD |                     | 1    | 35G  | 10         |
|               |                     | 5    | 35G  | 10         |
|               |                     | 6    | 66   | 10         |
| BACN10KE3DCD  |                     | 1    | 34   | 4          |
|               |                     | 1    | 42   | 2          |
|               |                     | 1    | 70   | 4          |
|               |                     | 1    | 70G  | 6          |
|               |                     | 1    | 571A | 2          |
|               |                     | 1    | 591A | 3          |
|               |                     | 1    | 687A | 2          |
|               |                     | 1    | 713A | 3          |
|               |                     | 1    | 741A | 3          |
|               |                     | 1    | 755B | 3          |
|               |                     | 1    | 769A | 1          |
|               |                     | 1    | 797A | 3          |
|               |                     | 1    | 898A | 1          |
|               |                     | 1    | 911A | 1          |
|               |                     | 1    | 920A | 1          |
|               |                     | 5    | 34   | 4          |
|               |                     | 5    | 42   | 2          |
|               |                     | 5    | 70G  | 6          |
|               |                     | 5    | 571A | 2          |
|               |                     | 5    | 591A | 3          |
|               |                     | 5    | 687A | 2          |
|               |                     | 5    | 713A | 3          |
|               |                     | 5    | 741A | 3          |
|               |                     | 5    | 755B | 3          |
|               |                     | 5    | 769A | 1          |
|               |                     | 5    | 797A | 3          |
|               |                     | 5    | 898A | 1          |
|               |                     | 5    | 911A | 1          |
|               |                     | 5    | 920A | 1          |
|               |                     | 6    | 60   | 4          |
|               |                     | 6    | 90   | 2          |
|               |                     | 6    | 117  | 6          |
|               |                     | 6    | 234  | 2          |
|               |                     | 6    | 264  | 3          |
|               |                     | 6    | 374  | 2          |
|               |                     | 6    | 410  | 3          |
|               |                     | 6    | 449  | 3          |
|               |                     | 6    | 485  | 3          |
|               |                     | 6    | 517  | 1          |

55-40-13

 ILLUSTRATED PARTS LIST  
 01.1 Page 1026  
 Nov 01/00


**BOEING**  
 COMPONENT  
 MAINTENANCE MANUAL

| PART NUMBER               | AIRLINE<br>PART NO. | FIG. | ITEM | TTL<br>REQ |
|---------------------------|---------------------|------|------|------------|
| BACN10KE3DCD              |                     | 6    | 556  | 3          |
|                           |                     | 6    | 733  | 1          |
|                           |                     | 6    | 760  | 1          |
|                           |                     | 6    | 787  | 1          |
| BACN10KE4B4CD             |                     | 1    | 52B  | 24         |
|                           |                     | 5    | 52B  | 24         |
|                           |                     | 6    | 99   | 24         |
| BACN10KE4B4CM             |                     | 1    | 52C  | 24         |
|                           |                     | 5    | 52C  | 24         |
|                           |                     | 6    | 99A  | 24         |
| BACN10KE4C                |                     | 1    | 251  | 8          |
|                           |                     | 7    | 304  | 8          |
| BACR15BA3AD               |                     | 1    | 253  | 16         |
|                           |                     | 7    | 300  | 16         |
| BACR15BA3AD3              |                     | 1    | 35A  | 20         |
|                           |                     | 5    | 35A  | 20         |
|                           |                     | 6    | 63   | 20         |
| BACR15CE5AD               |                     | 1    | 18   | 12         |
|                           |                     | 1    | 941  | 6          |
|                           |                     | 5    | 18   | 12         |
|                           |                     | 5    | 941  | 6          |
|                           |                     | 6    | 15   | 12         |
|                           |                     | 6    | 820  | 6          |
| BACR15CE6AD               |                     | 1    | 939  | 8          |
|                           |                     | 5    | 14   | 2          |
|                           |                     | 5    | 939  | 8          |
|                           |                     | 6    | 6    | 2          |
|                           |                     | 6    | 817  | 8          |
|                           |                     | 2    | 501A | 1          |
| BACR15CE6M<br>BACR15DR3A1 |                     | 1    | 69A  | 4          |
|                           |                     | 1    | 69G  | 8          |
|                           |                     | 5    | 69G  | 8          |
|                           |                     | 6    | 111  | 8          |

# 55-40-13

 ILLUSTRATED PARTS LIST  
 01.1 Page 1027  
 Nov 01/00

| PART NUMBER | AIRLINE<br>PART NO. | FIG. | ITEM | TTL<br>REQ |
|-------------|---------------------|------|------|------------|
| BACR15DR3A2 |                     | 1    | 31A  | 12         |
|             |                     | 1    | 40   | 24         |
|             |                     | 1    | 50A  | 48         |
|             |                     | 1    | 69N  | 4          |
|             |                     | 1    | 71A  | 12         |
|             |                     | 1    | 113A | 48         |
|             |                     | 1    | 485A | 18         |
|             |                     | 1    | 575  | 6          |
|             |                     | 1    | 595  | 24         |
|             |                     | 1    | 667  | 116        |
|             |                     | 1    | 691  | 54         |
|             |                     | 1    | 717  | 44         |

# 55-40-13

 ILLUSTRATED PARTS LIST  
 01.1 Page 1028  
 Nov 01/00


**BOEING**  
 COMPONENT  
 MAINTENANCE MANUAL

| PART NUMBER | AIRLINE<br>PART NO. | FIG. | ITEM | TTL<br>REQ |
|-------------|---------------------|------|------|------------|
| BACR15DR3A2 |                     | 1    | 743  | 40         |
|             |                     | 1    | 756  | 38         |
|             |                     | 1    | 773  | 36         |
|             |                     | 1    | 799  | 28         |
|             |                     | 1    | 815  | 522        |
|             |                     | 1    | 901  | 38         |
|             |                     | 1    | 915  | 38         |
|             |                     | 1    | 922  | 22         |
|             |                     | 1    | 929  | 32         |
|             |                     | 1    | 959  | 82         |
|             |                     | 2    | 92   | 18         |
|             |                     | 2    | 440A | 24         |
|             |                     | 2    | 555A | 24         |
|             |                     | 2    | 670A | 24         |
|             |                     | 5    | 31A  | 12         |
|             |                     | 5    | 40   | 24         |
|             |                     | 5    | 50A  | 48         |
|             |                     | 5    | 69N  | 4          |
|             |                     | 5    | 71A  | 12         |
|             |                     | 5    | 113A | 48         |
|             |                     | 5    | 575  | 6          |
|             |                     | 5    | 595  | 24         |
|             |                     | 5    | 667  | 116        |
|             |                     | 5    | 691  | 54         |
|             |                     | 5    | 717  | 44         |
|             |                     | 5    | 743  | 40         |
|             |                     | 5    | 756  | 38         |
|             |                     | 5    | 773  | 36         |
|             |                     | 5    | 799  | 28         |
|             |                     | 5    | 815  | 522        |
|             |                     | 5    | 901  | 38         |
|             |                     | 5    | 915  | 38         |
|             |                     | 5    | 922  | 22         |
|             |                     | 5    | 929  | 32         |
|             |                     | 5    | 959  | 82         |
|             |                     | 6    | 54   | 12         |
|             |                     | 6    | 87   | 24         |
|             |                     | 6    | 96   | 48         |
|             |                     | 6    | 114  | 4          |
|             |                     | 6    | 120  | 12         |
|             |                     | 6    | 168  | 48         |
|             |                     | 6    | 231  | 6          |
|             | 6                   | 261  | 24   |            |
|             | 6                   | 335  | 116  |            |
|             | 6                   | 371  | 54   |            |

# 55-40-13

ILLUSTRATED PARTS LIST

01.1

Page 1029

Nov 01/00



| PART NUMBER  | AIRLINE<br>PART NO. | FIG. | ITEM | TTL<br>REQ |
|--------------|---------------------|------|------|------------|
| BACR15DR3A2  |                     | 6    | 407  | 44         |
|              |                     | 6    | 443  | 40         |
|              |                     | 6    | 479  | 38         |
|              |                     | 6    | 514  | 36         |
|              |                     | 6    | 550  | 28         |
|              |                     | 6    | 583  | 522        |
|              |                     | 6    | 730  | 38         |
|              |                     | 6    | 757  | 38         |
|              |                     | 6    | 784  | 22         |
|              |                     | 6    | 811  | 32         |
|              |                     | 6    | 847  | 84         |
|              |                     | 7    | 660  | 18         |
|              | BACR15DR3A3         |      | 1    | 114        |
|              |                     | 1    | 262A | 8          |
|              |                     | 2    | 88   | 60         |
|              |                     | 5    | 114  | 6          |
|              |                     | 6    | 171  | 6          |
|              |                     | 7    | 332  | 8          |
| BACR15DR3A5  |                     | 1    | 50   | 48         |
| BACR15FT5AD  |                     | 5    | 960  | 7          |
|              |                     | 6    | 853  | 7          |
| BACR15GA5-4  |                     | 1    | 19A  | 8          |
|              |                     | 5    | 19A  | 8          |
|              |                     | 6    | 18   | 8          |
| BACR15GA5-5  |                     | 1    | 961  | 417        |
|              |                     | 5    | 961  | 410        |
|              |                     | 6    | 856  | 410        |
| BACS12ER06K4 |                     | 1    | 16   | 8          |
|              |                     | 5    | 16   | 8          |
|              |                     | 6    | 9    | 8          |
| BACS12ER06K6 |                     | 3    | 25A  | 4          |
|              |                     | 4    | 30   | 4          |
| BACW10BP3NDP |                     | 1    | 201G | 8          |
|              |                     | 1    | 206G | 8          |
|              |                     | 1    | 248G | 8          |
|              |                     | 7    | 148  | 8          |
|              |                     | 7    | 176  | 8          |
|              |                     | 7    | 292  | 8          |
| BACW10DM6P   |                     | 1    | 28G  | 2          |
|              |                     | 4    | 29   | 10         |
|              |                     | 5    | 28G  | 2          |
|              |                     | 6    | 51   | 2          |
| BACW10DM8P   |                     | 1    | 101G | 2          |
|              |                     | 1    | 546N | 2          |
|              |                     | 4    | 20   | 2          |

55-40-13

 ILLUSTRATED PARTS LIST  
 01.1 Page 1030  
 Nov 01/00


**BOEING**  
 COMPONENT  
 MAINTENANCE MANUAL

| PART NUMBER  | AIRLINE<br>PART NO. | FIG. | ITEM | TTL<br>REQ |
|--------------|---------------------|------|------|------------|
| BACW10DM8P   |                     | 5    | 101G | 2          |
|              |                     | 7    | 776  | 28         |
| BAC27TWG0001 |                     | 1    | 973  | 1          |
|              |                     | 5    | 973  | 1          |
|              |                     | 6    | 877  | 1          |
| BRFR120A4-1  |                     | 1    | 251  | 8          |
|              |                     | 7    | 304  | 8          |
| BRFR220C3-3D |                     | 1    | 35G  | 10         |
|              |                     | 5    | 35G  | 10         |
|              |                     | 6    | 66   | 10         |
| BRFR220C4-4D |                     | 1    | 52B  | 24         |
|              |                     | 5    | 52B  | 24         |
|              |                     | 6    | 99   | 24         |
| BRFR220C4-4M |                     | 1    | 52C  | 24         |
|              |                     | 5    | 52C  | 24         |
|              |                     | 6    | 99A  | 24         |
| BRF200C3D    |                     | 1    | 32A  | 2          |
|              |                     | 1    | 43B  | 10         |
|              |                     | 1    | 112A | 27         |
|              |                     | 1    | 261A | 4          |
|              |                     | 1    | 483A | 9          |
|              |                     | 1    | 573A | 1          |
|              |                     | 1    | 593A | 9          |
|              |                     | 1    | 663A | 58         |
|              |                     | 1    | 689A | 25         |
|              |                     | 1    | 715A | 19         |
|              |                     | 1    | 739A | 17         |
|              |                     | 1    | 754A | 16         |
|              |                     | 1    | 771A | 17         |
|              |                     | 1    | 795A | 11         |
|              |                     | 1    | 813A | 261        |
|              |                     | 1    | 899A | 18         |
|              |                     | 1    | 913A | 18         |
|              |                     | 1    | 921A | 10         |
|              |                     | 1    | 928A | 16         |
|              |                     | 1    | 957A | 41         |
|              |                     | 2    | 80A  | 34         |
|              |                     | 2    | 435A | 12         |
|              |                     | 2    | 550A | 12         |
|              |                     | 2    | 665A | 12         |
|              |                     | 5    | 32A  | 2          |
|              |                     | 5    | 43B  | 10         |
|              |                     | 5    | 112A | 27         |
|              |                     | 5    | 573A | 1          |
|              |                     | 5    | 593A | 9          |

55-40-13

ILLUSTRATED PARTS LIST

01.1

Page 1031

Nov 01/00

| PART NUMBER | AIRLINE<br>PART NO. | FIG. | ITEM | TTL<br>REQ |
|-------------|---------------------|------|------|------------|
| BRF200C3D   |                     | 5    | 663A | 58         |
|             |                     | 5    | 689A | 25         |
|             |                     | 5    | 715A | 19         |
|             |                     | 5    | 739A | 17         |
|             |                     | 5    | 754A | 16         |
|             |                     | 5    | 771A | 17         |
|             |                     | 5    | 795A | 11         |
|             |                     | 5    | 813A | 261        |
|             |                     | 5    | 899A | 18         |
|             |                     | 5    | 913A | 18         |
|             |                     | 5    | 921A | 10         |
|             |                     | 5    | 928A | 16         |
|             |                     | 5    | 957A | 41         |
|             |                     | 6    | 57   | 2          |
|             |                     | 6    | 93   | 10         |
|             |                     | 6    | 174  | 27         |
|             |                     | 6    | 237  | 1          |
|             |                     | 6    | 267  | 9          |
|             |                     | 6    | 338  | 58         |
|             |                     | 6    | 377  | 25         |
|             |                     | 6    | 413  | 19         |
|             |                     | 6    | 446  | 17         |
|             |                     | 6    | 482  | 16         |
|             |                     | 6    | 520  | 17         |
|             |                     | 6    | 553  | 11         |
|             |                     | 6    | 586  | 261        |
|             |                     | 6    | 736  | 18         |
|             |                     | 6    | 763  | 18         |
|             |                     | 6    | 790  | 10         |
|             |                     | 6    | 814  | 16         |
|             |                     | 6    | 850  | 42         |
|             |                     | 7    | 336  | 4          |
|             |                     | 7    | 664  | 9          |
| BRF200C4D   |                     | 1    | 52A  | 24         |
|             |                     | 1    | 72A  | 6          |
|             |                     | 5    | 72A  | 6          |
|             | 6                   | 123  | 6    |            |
| B30NW10K10  |                     | 1    | 463  | 6          |
|             |                     | 7    | 620  | 6          |
| B30NW10K12  |                     | 1    | 289  | 6          |
|             |                     | 1    | 335  | 12         |
| B30NW10K8   |                     | 1    | 422  | 6          |
|             |                     | 7    | 588  | 6          |
| B30NW10K9   |                     | 1    | 209  | 6          |
|             |                     | 1    | 233  | 6          |

55-40-13

 ILLUSTRATED PARTS LIST  
 01.1 Page 1032  
 Nov 01/00


**BOEING**  
 COMPONENT  
 MAINTENANCE MANUAL

| PART NUMBER | AIRLINE<br>PART NO. | FIG. | ITEM | TTL<br>REQ |    |
|-------------|---------------------|------|------|------------|----|
| B30NW10K9   |                     | 1    | 265  | 12         |    |
|             |                     | 1    | 287  | 4          |    |
|             |                     | 1    | 333  | 8          |    |
|             |                     | 1    | 355  | 6          |    |
|             |                     | 1    | 399  | 6          |    |
|             |                     | 1    | 421  | 6          |    |
|             |                     | 7    | 200  | 6          |    |
|             |                     | 7    | 248  | 6          |    |
|             |                     | 7    | 388  | 4          |    |
|             |                     | 7    | 440  | 8          |    |
|             |                     | 7    | 488  | 6          |    |
|             |                     | 7    | 528  | 6          |    |
|             |                     | 7    | 584  | 6          |    |
|             | B30NW6K3            |      | 1    | 119        | 10 |
|             |                     |      | 1    | 639        | 24 |
|             |                     |      | 1    | 649        | 23 |
|             |                     |      | 1    | 655        | 20 |
|             |                     | 1    | 783  | 11         |    |
|             |                     | 1    | 803  | 250        |    |
|             |                     | 1    | 819  | 5          |    |
|             |                     | 1    | 895  | 17         |    |
|             |                     | 1    | 905  | 17         |    |
|             |                     | 1    | 917  | 9          |    |
|             |                     | 2    | 305  | 11         |    |
|             |                     | 2    | 455  | 6          |    |
|             |                     | 2    | 570  | 8          |    |
|             |                     | 2    | 685  | 8          |    |
|             |                     | 2    | 760  | 15         |    |
|             |                     | 5    | 119  | 10         |    |
|             |                     | 5    | 639  | 24         |    |
|             |                     | 5    | 649  | 23         |    |
|             |                     | 5    | 655  | 20         |    |
|             |                     | 5    | 783  | 11         |    |
|             |                     | 5    | 803  | 250        |    |
|             |                     | 5    | 819  | 5          |    |
|             |                     | 5    | 895  | 17         |    |
|             | 5                   | 905  | 17   |            |    |
|             | 5                   | 917  | 9    |            |    |
|             | 6                   | 183  | 10   |            |    |
|             | 6                   | 291  | 24   |            |    |
|             | 6                   | 314  | 23   |            |    |
|             | 6                   | 320  | 20   |            |    |
|             | 6                   | 526  | 11   |            |    |
|             | 6                   | 562  | 250  |            |    |
|             | 6                   | 589  | 5    |            |    |

# 55-40-13

ILLUSTRATED PARTS LIST

01.1

Page 1033

Nov 01/00

| PART NUMBER | AIRLINE<br>PART NO. | FIG. | ITEM | TTL<br>REQ |
|-------------|---------------------|------|------|------------|
| B30NW6K3    |                     | 6    | 715  | 17         |
|             |                     | 6    | 742  | 17         |
|             |                     | 6    | 769  | 9          |
| B30NW6K4    |                     | 1    | 94A  | 14         |
|             |                     | 1    | 529  | 2          |
|             |                     | 1    | 539  | 158        |
|             |                     | 1    | 555  | 8          |
|             |                     | 1    | 561  | 8          |
|             |                     | 1    | 581  | 128        |
|             |                     | 1    | 631  | 40         |
|             |                     | 1    | 637  | 30         |
|             |                     | 1    | 673  | 25         |
|             |                     | 1    | 697  | 20         |
|             |                     | 1    | 723  | 18         |
|             |                     | 1    | 746  | 17         |
|             |                     | 1    | 951  | 189        |
|             |                     | 2    | 127A | 88         |
|             |                     | 2    | 145A | 2          |
|             |                     | 2    | 190A | 4          |
|             |                     | 2    | 205  | 84         |
|             |                     | 2    | 220  | 4          |
|             |                     | 2    | 935  | 12         |
|             |                     | 3    | 20   | 22         |
|             |                     | 4    | 35   | 22         |
|             |                     | 5    | 94A  | 14         |
|             |                     | 5    | 555  | 8          |
|             |                     | 5    | 561  | 8          |
|             |                     | 5    | 581  | 128        |
|             |                     | 5    | 631  | 40         |
|             |                     | 5    | 637  | 30         |
|             |                     | 5    | 673  | 25         |
|             |                     | 5    | 697  | 20         |
|             |                     | 5    | 723  | 18         |
|             |                     | 5    | 746  | 17         |
|             |                     | 5    | 951  | 189        |
|             |                     | 6    | 129  | 14         |
|             | 6                   | 198  | 8    |            |
|             | 6                   | 207  | 8    |            |
|             | 6                   | 240  | 128  |            |
|             | 6                   | 276  | 40   |            |
|             | 6                   | 285  | 30   |            |
|             | 6                   | 347  | 25   |            |
|             | 6                   | 383  | 20   |            |
|             | 6                   | 419  | 18   |            |
|             | 6                   | 455  | 17   |            |

# 55-40-13

 ILLUSTRATED PARTS LIST  
 01.1 Page 1034  
 Nov 01/00


**BOEING**  
 COMPONENT  
 MAINTENANCE MANUAL

| PART NUMBER | AIRLINE<br>PART NO. | FIG. | ITEM | TTL<br>REQ |
|-------------|---------------------|------|------|------------|
| B30NW6K4    |                     | 6    | 838  | 189        |
|             |                     | 7    | 720  | 2          |
|             |                     | 7    | 752  | 158        |
| B30NW6K5    |                     | 1    | 491  | 20         |
|             |                     | 1    | 497  | 50         |
|             |                     | 1    | 501  | 46         |
|             |                     | 1    | 513  | 58         |
|             |                     | 1    | 527  | 4          |
|             |                     | 1    | 536A | 6          |
|             |                     | 1    | 541  | 48         |
|             |                     | 1    | 675  | 1          |
|             |                     | 1    | 701  | 1          |
|             |                     | 1    | 727  | 1          |
|             |                     | 1    | 748  | 1          |
|             |                     | 1    | 761  | 15         |
|             |                     | 1    | 785  | 1          |
|             |                     | 1    | 804  | 11         |
|             |                     | 1    | 924  | 14         |
|             |                     | 2    | 150A | 2          |
|             |                     | 2    | 210  | 6          |
|             |                     | 2    | 225  | 2          |
|             |                     | 2    | 285  | 4          |
|             |                     | 2    | 340  | 60         |
|             |                     | 2    | 400  | 6          |
|             |                     | 2    | 500  | 8          |
|             |                     | 2    | 500A | 7          |
|             |                     | 2    | 615  | 8          |
|             |                     | 2    | 730  | 8          |
|             |                     | 2    | 800  | 56         |
|             |                     | 2    | 840  | 4          |
|             |                     | 2    | 855  | 52         |
|             |                     | 2    | 915  | 4          |
|             |                     | 2    | 930  | 22         |
|             |                     | 5    | 675  | 1          |
|             |                     | 5    | 701  | 1          |
|             |                     | 5    | 727  | 1          |
|             | 5                   | 748  | 1    |            |
|             | 5                   | 761  | 15   |            |
|             | 5                   | 785  | 1    |            |
|             | 5                   | 804  | 11   |            |
|             | 5                   | 924  | 14   |            |
|             | 6                   | 353  | 1    |            |
|             | 6                   | 389  | 1    |            |
|             | 6                   | 425  | 1    |            |
|             | 6                   | 461  | 1    |            |

# 55-40-13

ILLUSTRATED PARTS LIST

01.1

Page 1035

Nov 01/00

| PART NUMBER | AIRLINE<br>PART NO. | FIG. | ITEM | TTL<br>REQ |   |
|-------------|---------------------|------|------|------------|---|
| B30NW6K5    |                     | 6    | 494  | 15         |   |
|             |                     | 6    | 532  | 1          |   |
|             |                     | 6    | 565  | 11         |   |
|             |                     | 6    | 796  | 14         |   |
|             |                     | 7    | 668  | 20         |   |
|             |                     | 7    | 680  | 50         |   |
|             |                     | 7    | 692  | 46         |   |
|             |                     | 7    | 700  | 58         |   |
|             |                     | 7    | 716  | 4          |   |
|             |                     | 7    | 736  | 6          |   |
|             |                     | 7    | 756  | 48         |   |
|             | B30NW6K6            |      | 1    | 542        | 4 |
|             |                     |      | 1    | 563        | 2 |
|             |                     | 1    | 583  | 9          |   |
|             |                     | 5    | 563  | 2          |   |
|             |                     | 5    | 583  | 9          |   |
|             |                     | 6    | 210  | 2          |   |
|             |                     | 6    | 243  | 9          |   |
|             |                     | 7    | 760  | 4          |   |
| B30NW6K7    |                     |      | 1    | 247        | 8 |
|             |                     | 1    | 759  | 1          |   |
|             |                     | 2    | 110A | 4          |   |
|             |                     | 2    | 125A | 2          |   |
|             |                     | 2    | 135A | 2          |   |
|             |                     | 2    | 300  | 6          |   |
|             |                     | 2    | 460  | 6          |   |
|             |                     | 2    | 575  | 6          |   |
|             |                     | 2    | 690  | 6          |   |
|             |                     | 2    | 765  | 6          |   |
|             |                     | 5    | 759  | 1          |   |
|             |                     | 6    | 491  | 1          |   |
|             | B30NW6R3            |      | 7    | 284        | 8 |
|             |                     | 1    | 640  | 1          |   |
|             |                     | 1    | 699A | 1          |   |
|             |                     | 1    | 725A | 1          |   |
|             |                     | 1    | 747A | 1          |   |
|             |                     | 1    | 784  | 2          |   |
|             |                     | 1    | 895G | 2          |   |
|             |                     | 1    | 906  | 2          |   |
|             |                     | 1    | 917G | 2          |   |
|             |                     | 5    | 640  | 1          |   |
|             |                     | 5    | 699A | 1          |   |
|             |                     | 5    | 725A | 1          |   |
|             |                     | 5    | 747A | 1          |   |
|             | 5                   | 784  | 2    |            |   |

# 55-40-13

 ILLUSTRATED PARTS LIST  
 01.1 Page 1036  
 Nov 01/00


**BOEING**  
 COMPONENT  
 MAINTENANCE MANUAL

| PART NUMBER | AIRLINE<br>PART NO. | FIG. | ITEM | TTL<br>REQ |   |
|-------------|---------------------|------|------|------------|---|
| B30NW6R3    |                     | 5    | 895G | 2          |   |
|             |                     | 5    | 906  | 2          |   |
|             |                     | 5    | 917G | 2          |   |
|             |                     | 6    | 294  | 1          |   |
|             |                     | 6    | 386  | 1          |   |
|             |                     | 6    | 422  | 1          |   |
|             |                     | 6    | 458  | 1          |   |
|             |                     | 6    | 529  | 2          |   |
|             |                     | 6    | 718  | 2          |   |
|             |                     | 6    | 745  | 2          |   |
|             |                     | 6    | 772  | 2          |   |
|             | B30NW6R4            |      | 1    | 638        | 3 |
|             |                     |      | 1    | 674        | 1 |
|             |                     |      | 5    | 638        | 3 |
|             |                     | 5    | 674  | 1          |   |
|             |                     | 6    | 288  | 3          |   |
|             |                     | 6    | 350  | 1          |   |
| B30NW6R5    |                     | 1    | 762  | 2          |   |
|             |                     | 1    | 924G | 2          |   |
|             |                     | 5    | 762  | 2          |   |
|             |                     | 5    | 924G | 2          |   |
|             |                     | 6    | 497  | 2          |   |
|             |                     | 6    | 799  | 2          |   |
| B30NW6R6    |                     | 1    | 564  | 1          |   |
|             |                     | 1    | 584  | 3          |   |
|             |                     | 5    | 564  | 1          |   |
|             |                     | 5    | 584  | 3          |   |
|             |                     | 6    | 213  | 1          |   |
|             |                     | 6    | 246  | 3          |   |
| B30NW8K4    |                     | 1    | 96   | 26         |   |
|             |                     | 5    | 96   | 26         |   |
|             |                     | 6    | 132  | 28         |   |
| B30NW8K5    |                     | 1    | 98   | 4          |   |
|             |                     | 1    | 543  | 6          |   |
|             |                     | 1    | 890  | 4          |   |
|             |                     | 5    | 98   | 4          |   |
|             |                     | 5    | 890  | 4          |   |
|             |                     | 6    | 135  | 4          |   |
|             |                     | 6    | 697  | 4          |   |
| B30NW8K6    |                     | 7    | 764  | 6          |   |
|             |                     | 1    | 545  | 30         |   |
|             |                     | 7    | 768  | 30         |   |
| B30NW8K7    |                     | 1    | 100  | 4          |   |
|             |                     | 5    | 100  | 4          |   |
|             |                     | 6    | 138  | 4          |   |

# 55-40-13

ILLUSTRATED PARTS LIST

01.1

Page 1037

Nov 01/00



| PART NUMBER   | AIRLINE<br>PART NO. | FIG. | ITEM | TTL<br>REQ |
|---------------|---------------------|------|------|------------|
| CCR264CS3-1TT |                     | 1    | 69A  | 4          |
|               |                     | 1    | 69G  | 8          |
|               |                     | 5    | 69G  | 8          |
|               |                     | 6    | 111  | 8          |
| CCR264CS3-2TT |                     | 1    | 31A  | 12         |
|               |                     | 1    | 40   | 24         |
|               |                     | 1    | 50A  | 48         |
|               |                     | 1    | 69N  | 4          |
|               |                     | 1    | 71A  | 12         |
|               |                     | 1    | 113A | 48         |
|               |                     | 1    | 485A | 18         |
|               |                     | 1    | 575  | 6          |
|               |                     | 1    | 595  | 24         |
|               |                     | 1    | 667  | 116        |
|               |                     | 1    | 691  | 54         |
|               |                     | 1    | 717  | 44         |
|               |                     | 1    | 743  | 40         |
|               |                     | 1    | 756  | 38         |
|               |                     | 1    | 773  | 36         |
|               |                     | 1    | 799  | 28         |
|               |                     | 1    | 815  | 522        |
|               |                     | 1    | 901  | 38         |
|               |                     | 1    | 915  | 38         |
|               |                     | 1    | 922  | 22         |
|               |                     | 1    | 929  | 32         |
|               |                     | 1    | 959  | 82         |
|               |                     | 2    | 92   | 18         |
|               |                     | 2    | 440A | 24         |
|               |                     | 2    | 555A | 24         |
|               |                     | 2    | 670A | 24         |
|               |                     | 5    | 31A  | 12         |
|               |                     | 5    | 40   | 24         |
|               |                     | 5    | 50A  | 48         |
|               |                     | 5    | 69N  | 4          |
|               |                     | 5    | 71A  | 12         |
|               | 5                   | 113A | 48   |            |
|               | 5                   | 575  | 6    |            |
|               | 5                   | 595  | 24   |            |
|               | 5                   | 667  | 116  |            |
|               | 5                   | 691  | 54   |            |
|               | 5                   | 717  | 44   |            |
|               | 5                   | 743  | 40   |            |
|               | 5                   | 756  | 38   |            |
|               | 5                   | 773  | 36   |            |
|               | 5                   | 799  | 28   |            |

# 55-40-13

 ILLUSTRATED PARTS LIST  
 01.1 Page 1038  
 Nov 01/00


**BOEING**  
 COMPONENT  
 MAINTENANCE MANUAL

| PART NUMBER   | AIRLINE<br>PART NO. | FIG. | ITEM | TTL<br>REQ |    |
|---------------|---------------------|------|------|------------|----|
| CCR264CS3-2TT |                     | 5    | 815  | 522        |    |
|               |                     | 5    | 901  | 38         |    |
|               |                     | 5    | 915  | 38         |    |
|               |                     | 5    | 922  | 22         |    |
|               |                     | 5    | 929  | 32         |    |
|               |                     | 5    | 959  | 82         |    |
|               |                     | 6    | 54   | 12         |    |
|               |                     | 6    | 87   | 24         |    |
|               |                     | 6    | 96   | 48         |    |
|               |                     | 6    | 114  | 4          |    |
|               |                     | 6    | 120  | 12         |    |
|               |                     | 6    | 168  | 48         |    |
|               |                     | 6    | 231  | 6          |    |
|               |                     | 6    | 261  | 24         |    |
|               |                     | 6    | 335  | 116        |    |
|               |                     | 6    | 371  | 54         |    |
|               |                     | 6    | 407  | 44         |    |
|               |                     | 6    | 443  | 40         |    |
|               |                     | 6    | 479  | 38         |    |
|               |                     | 6    | 514  | 36         |    |
|               |                     | 6    | 550  | 28         |    |
|               |                     | 6    | 583  | 522        |    |
|               |                     | 6    | 730  | 38         |    |
|               |                     | 6    | 757  | 38         |    |
|               |                     | 6    | 784  | 22         |    |
|               |                     | 6    | 811  | 32         |    |
|               |                     | 6    | 847  | 84         |    |
|               |                     | 7    | 660  | 18         |    |
|               | CCR264CS3-3TT       |      | 1    | 114        | 6  |
|               |                     |      | 1    | 262A       | 8  |
|               |                     |      | 2    | 88         | 60 |
|               |                     |      | 5    | 114        | 6  |
|               |                     |      | 6    | 171        | 6  |
|               |                     | 7    | 332  | 8          |    |
| CCR264CS3-5TT |                     | 1    | 50   | 48         |    |
|               | F51747-3-3CD        | 1    | 35G  | 10         |    |
| 5             |                     | 35G  | 10   |            |    |
| 6             |                     | 66   | 10   |            |    |
| F51747-4-4CD  | 1                   | 52B  | 24   |            |    |
|               | 5                   | 52B  | 24   |            |    |
|               | 6                   | 99   | 24   |            |    |
| F51747-4-4DL  | 1                   | 52C  | 24   |            |    |
|               | 5                   | 52C  | 24   |            |    |
|               | 6                   | 99A  | 24   |            |    |
| F51752-4-1    |                     | 1    | 251  | 8          |    |
| F51752-4-1    |                     | 7    | 304  | 8          |    |

55-40-13

ILLUSTRATED PARTS LIST

01.1

Page 1039

Nov 01/00

| PART NUMBER | AIRLINE<br>PART NO. | FIG. | ITEM | TTL<br>REQ |
|-------------|---------------------|------|------|------------|
| F51753-3CD  |                     | 1    | 34   | 4          |
|             |                     | 1    | 42   | 2          |
|             |                     | 1    | 70   | 4          |
|             |                     | 1    | 70G  | 6          |
|             |                     | 1    | 571A | 2          |
|             |                     | 1    | 591A | 3          |
|             |                     | 1    | 687A | 2          |
|             |                     | 1    | 713A | 3          |
|             |                     | 1    | 741A | 3          |
|             |                     | 1    | 755B | 3          |
|             |                     | 1    | 769A | 1          |
|             |                     | 1    | 797A | 3          |
|             |                     | 1    | 898A | 1          |
|             |                     | 1    | 911A | 1          |
|             |                     | 1    | 920A | 1          |
|             |                     | 5    | 34   | 4          |
|             |                     | 5    | 42   | 2          |
|             |                     | 5    | 70G  | 6          |
|             |                     | 5    | 571A | 2          |
|             |                     | 5    | 591A | 3          |
|             | 5                   | 687A | 2    |            |
|             | 5                   | 713A | 3    |            |
|             | 5                   | 741A | 3    |            |
|             | 5                   | 755B | 3    |            |
|             | 5                   | 769A | 1    |            |
|             | 5                   | 797A | 3    |            |
|             | 5                   | 898A | 1    |            |
|             | 5                   | 911A | 1    |            |
|             | 5                   | 920A | 1    |            |
| F51753-3DC  |                     | 6    | 60   | 4          |
|             |                     | 6    | 90   | 2          |
|             |                     | 6    | 117  | 6          |
|             |                     | 6    | 234  | 2          |
|             |                     | 6    | 264  | 3          |
|             |                     | 6    | 374  | 2          |
|             |                     | 6    | 410  | 3          |
|             |                     | 6    | 449  | 3          |
|             |                     | 6    | 485  | 3          |
|             |                     | 6    | 517  | 1          |
|             |                     | 6    | 556  | 3          |
|             |                     | 6    | 733  | 1          |
|             | 6                   | 760  | 1    |            |
|             | 6                   | 787  | 1    |            |

**55-40-13**

 ILLUSTRATED PARTS LIST  
 01.1 Page 1040  
 Nov 01/00


**BOEING**  
 COMPONENT  
 MAINTENANCE MANUAL

| PART NUMBER | AIRLINE<br>PART NO. | FIG. | ITEM | TTL<br>REQ |
|-------------|---------------------|------|------|------------|
| HHKSP3L     |                     | 1    | 259  | 1          |
| HHKSP3L     |                     | 7    | 324  | 1          |
| HL10VAZ6-6  |                     | 1    | 77   | 3          |
| HL11RA6-3   |                     | 1    | 640  | 1          |
|             |                     | 1    | 699A | 1          |
|             |                     | 1    | 725A | 1          |
|             |                     | 1    | 747A | 1          |
|             |                     | 1    | 784  | 2          |
|             |                     | 1    | 895G | 2          |
|             |                     | 1    | 906  | 2          |
|             |                     | 1    | 917G | 2          |
|             |                     | 5    | 640  | 1          |
|             |                     | 5    | 699A | 1          |
|             |                     | 5    | 725A | 1          |
|             |                     | 5    | 747A | 1          |
|             |                     | 5    | 784  | 2          |
|             |                     | 5    | 895G | 2          |
|             |                     | 5    | 906  | 2          |
|             |                     | 5    | 917G | 2          |
|             |                     | 6    | 294  | 1          |
|             |                     | 6    | 386  | 1          |
|             |                     | 6    | 422  | 1          |
|             |                     | 6    | 458  | 1          |
|             |                     | 6    | 529  | 2          |
|             |                     | 6    | 718  | 2          |
|             |                     | 6    | 745  | 2          |
|             |                     | 6    | 772  | 2          |
| HL11RA6-4   |                     | 1    | 638  | 3          |
|             |                     | 1    | 674  | 1          |
|             |                     | 5    | 638  | 3          |
|             |                     | 5    | 674  | 1          |
|             |                     | 6    | 288  | 3          |
|             |                     | 6    | 350  | 1          |
| HL11RA6-5   |                     | 1    | 762  | 2          |
|             |                     | 1    | 924G | 2          |
|             |                     | 5    | 762  | 2          |
|             |                     | 5    | 924G | 2          |
|             |                     | 6    | 497  | 2          |
|             |                     | 6    | 799  | 2          |
| HL11RA6-6   |                     | 1    | 564  | 1          |
|             |                     | 1    | 584  | 3          |
|             |                     | 5    | 564  | 1          |
|             |                     | 5    | 584  | 3          |
|             |                     | 6    | 213  | 1          |
|             |                     | 6    | 246  | 3          |

55-40-13

 ILLUSTRATED PARTS LIST  
 01.1 Page 1040A  
 Nov 01/00

| PART NUMBER  | AIRLINE<br>PART NO. | FIG. | ITEM | TTL<br>REQ |
|--------------|---------------------|------|------|------------|
| HL11VAZ10-10 |                     | 1    | 463  | 6          |
|              |                     | 7    | 620  | 6          |
| HL11VAZ10-12 |                     | 1    | 289  | 6          |
|              |                     | 1    | 335  | 12         |
| HL11VAZ10-8  |                     | 1    | 422  | 6          |
|              |                     | 7    | 588  | 6          |
| HL11VAZ10-9  |                     | 1    | 209  | 6          |
|              |                     | 1    | 233  | 6          |
|              |                     | 1    | 265  | 12         |
|              |                     | 1    | 287  | 4          |
|              |                     | 1    | 333  | 8          |
|              |                     | 1    | 355  | 6          |
|              |                     | 1    | 399  | 6          |
|              |                     | 1    | 421  | 6          |
|              |                     | 7    | 200  | 6          |
|              |                     | 7    | 248  | 6          |
|              |                     | 7    | 388  | 4          |
|              |                     | 7    | 440  | 8          |
| 7            | 488                 | 6    |      |            |
| 7            | 528                 | 6    |      |            |
| 7            | 584                 | 6    |      |            |

# 55-40-13

 ILLUSTRATED PARTS LIST  
 01.1 Page 1040B  
 Nov 01/00


**BOEING**  
 COMPONENT  
 MAINTENANCE MANUAL

| PART NUMBER | AIRLINE<br>PART NO. | FIG. | ITEM | TTL<br>REQ |
|-------------|---------------------|------|------|------------|
| HL11VAZ6-3  |                     | 1    | 119  | 10         |
|             |                     | 1    | 639  | 24         |
|             |                     | 1    | 649  | 23         |
|             |                     | 1    | 655  | 20         |
|             |                     | 1    | 783  | 11         |
|             |                     | 1    | 803  | 250        |
|             |                     | 1    | 819  | 5          |
|             |                     | 1    | 895  | 17         |
|             |                     | 1    | 905  | 17         |
|             |                     | 1    | 917  | 9          |
|             |                     | 2    | 305  | 11         |
|             |                     | 2    | 455  | 6          |
|             |                     | 2    | 570  | 8          |
|             |                     | 2    | 685  | 8          |
|             |                     | 2    | 760  | 15         |
|             |                     | 5    | 119  | 10         |
|             |                     | 5    | 639  | 24         |
|             |                     | 5    | 649  | 23         |
|             |                     | 5    | 655  | 20         |
|             |                     | 5    | 783  | 11         |
|             |                     | 5    | 803  | 250        |
|             |                     | 5    | 819  | 5          |
|             |                     | 5    | 895  | 17         |
|             |                     | 5    | 905  | 17         |
|             |                     | 5    | 917  | 9          |
|             |                     | 6    | 183  | 10         |
|             |                     | 6    | 291  | 24         |
|             |                     | 6    | 314  | 23         |
|             |                     | 6    | 320  | 20         |
|             |                     | 6    | 526  | 11         |
|             |                     | 6    | 562  | 250        |
|             |                     | 6    | 589  | 5          |
|             |                     | 6    | 715  | 17         |
|             |                     | 6    | 742  | 17         |
|             |                     | 6    | 769  | 9          |

# 55-40-13

ILLUSTRATED PARTS LIST  
 01.1 Page 1040C  
 Nov 01/00

| PART NUMBER | AIRLINE<br>PART NO. | FIG. | ITEM | TTL<br>REQ |     |
|-------------|---------------------|------|------|------------|-----|
| HL11VAZ6-4  |                     | 1    | 94A  | 14         |     |
|             |                     | 1    | 529  | 2          |     |
|             |                     | 1    | 539  | 158        |     |
|             |                     | 1    | 555  | 8          |     |
|             |                     | 1    | 561  | 8          |     |
|             |                     | 1    | 581  | 128        |     |
|             |                     | 1    | 631  | 40         |     |
|             |                     | 1    | 637  | 30         |     |
|             |                     | 1    | 673  | 25         |     |
|             |                     | 1    | 697  | 20         |     |
|             | HL11VAZ6-4          |      | 1    | 723        | 18  |
|             |                     |      | 1    | 746        | 17  |
|             |                     |      | 1    | 951        | 189 |
|             |                     |      | 2    | 127A       | 88  |
|             |                     |      | 2    | 145A       | 2   |
|             |                     |      | 2    | 190A       | 4   |
|             |                     |      | 2    | 205        | 84  |
|             |                     | 2    | 220  | 4          |     |
|             |                     | 2    | 935  | 12         |     |
|             |                     | 3    | 20   | 22         |     |
|             |                     | 4    | 35   | 22         |     |
|             |                     | 5    | 94A  | 14         |     |
|             |                     | 5    | 555  | 8          |     |
|             |                     | 5    | 561  | 8          |     |
|             |                     | 5    | 581  | 128        |     |
|             |                     | 5    | 631  | 40         |     |
|             |                     | 5    | 637  | 30         |     |
|             |                     | 5    | 673  | 25         |     |
|             |                     | 5    | 697  | 20         |     |
|             |                     | 5    | 723  | 18         |     |
|             |                     | 5    | 746  | 17         |     |
|             |                     | 5    | 951  | 189        |     |
|             |                     | 6    | 129  | 14         |     |
|             |                     | 6    | 198  | 8          |     |
|             |                     | 6    | 207  | 8          |     |
|             |                     | 6    | 240  | 128        |     |
|             |                     | 6    | 276  | 40         |     |
|             | 6                   | 285  | 30   |            |     |
|             | 6                   | 347  | 25   |            |     |
|             | 6                   | 383  | 20   |            |     |
|             | 6                   | 419  | 18   |            |     |
|             | 6                   | 455  | 17   |            |     |
|             | 6                   | 838  | 189  |            |     |
|             | 7                   | 720  | 2    |            |     |
|             | 7                   | 752  | 158  |            |     |

# 55-40-13

 ILLUSTRATED PARTS LIST  
 01.1 Page 1040D  
 Nov 01/00


**BOEING**  
 COMPONENT  
 MAINTENANCE MANUAL

| PART NUMBER | AIRLINE<br>PART NO. | FIG. | ITEM | TTL<br>REQ |
|-------------|---------------------|------|------|------------|
| HL11VAZ6-5  |                     | 1    | 491  | 20         |
|             |                     | 1    | 497  | 50         |
|             |                     | 1    | 501  | 46         |
|             |                     | 1    | 513  | 58         |
|             |                     | 1    | 527  | 4          |
|             |                     | 1    | 536A | 6          |
|             |                     | 1    | 541  | 48         |
|             |                     | 1    | 675  | 1          |
|             |                     | 1    | 701  | 1          |
|             |                     | 1    | 727  | 1          |

# 55-40-13

ILLUSTRATED PARTS LIST  
 01.1 Page 1040E  
 Nov 01/00



| PART NUMBER | AIRLINE<br>PART NO. | FIG. | ITEM | TTL<br>REQ |
|-------------|---------------------|------|------|------------|
| HL11VAZ6-5  |                     | 1    | 748  | 1          |
|             |                     | 1    | 761  | 15         |
|             |                     | 1    | 785  | 1          |
|             |                     | 1    | 804  | 11         |
|             |                     | 1    | 924  | 14         |
|             |                     | 2    | 150A | 2          |
|             |                     | 2    | 210  | 6          |
|             |                     | 2    | 225  | 2          |
|             |                     | 2    | 285  | 4          |
|             |                     | 2    | 340  | 60         |
|             |                     | 2    | 400  | 6          |
|             |                     | 2    | 500  | 8          |
|             |                     | 2    | 500A | 7          |
|             |                     | 2    | 615  | 8          |
|             |                     | 2    | 730  | 8          |
|             |                     | 2    | 800  | 56         |
|             |                     | 2    | 840  | 4          |
|             |                     | 2    | 855  | 52         |
|             |                     | 2    | 915  | 4          |
|             |                     | 2    | 930  | 22         |
|             |                     | 5    | 675  | 1          |
|             |                     | 5    | 701  | 1          |
|             |                     | 5    | 727  | 1          |
|             |                     | 5    | 748  | 1          |
|             |                     | 5    | 761  | 15         |
|             |                     | 5    | 785  | 1          |
|             |                     | 5    | 804  | 11         |
|             |                     | 5    | 924  | 14         |
|             |                     | 6    | 353  | 1          |
|             |                     | 6    | 389  | 1          |
|             |                     | 6    | 425  | 1          |
|             |                     | 6    | 461  | 1          |
|             |                     | 6    | 494  | 15         |
|             |                     | 6    | 532  | 1          |
|             |                     | 6    | 565  | 11         |
|             |                     | 6    | 796  | 14         |
|             |                     | 7    | 668  | 20         |
|             |                     | 7    | 680  | 50         |
|             |                     | 7    | 692  | 46         |
|             |                     | 7    | 700  | 58         |
|             |                     | 7    | 716  | 4          |
|             |                     | 7    | 736  | 6          |
|             |                     | 7    | 756  | 48         |

# 55-40-13

 ILLUSTRATED PARTS LIST  
 01.1 Page 1040F  
 Nov 01/00


**BOEING**  
 COMPONENT  
 MAINTENANCE MANUAL

| PART NUMBER | AIRLINE<br>PART NO. | FIG. | ITEM | TTL<br>REQ |   |
|-------------|---------------------|------|------|------------|---|
| HL11VAZ6-6  |                     | 1    | 542  | 4          |   |
|             |                     | 1    | 563  | 2          |   |
|             |                     | 1    | 583  | 9          |   |
|             |                     | 5    | 563  | 2          |   |
|             |                     | 5    | 583  | 9          |   |
|             |                     | 6    | 210  | 2          |   |
|             |                     | 6    | 243  | 9          |   |
|             |                     | 7    | 760  | 4          |   |
|             | HL11VAZ6-7          |      | 1    | 247        | 8 |
|             |                     |      | 1    | 759        | 1 |
|             |                     | 2    | 110A | 4          |   |
|             |                     | 2    | 125A | 2          |   |
|             |                     | 2    | 135A | 2          |   |
|             |                     | 2    | 300  | 6          |   |
|             |                     | 2    | 460  | 6          |   |
|             |                     | 2    | 575  | 6          |   |
|             |                     | 2    | 690  | 6          |   |
|             |                     | 2    | 765  | 6          |   |
|             |                     | 5    | 759  | 1          |   |
|             |                     | 6    | 491  | 1          |   |
|             |                     | 7    | 284  | 8          |   |
| HL11VAZ8-4  |                     | 1    | 96   | 26         |   |
|             |                     | 5    | 96   | 26         |   |
|             |                     | 6    | 132  | 28         |   |
| HL11VAZ8-5  |                     | 1    | 98   | 4          |   |
|             |                     | 1    | 543  | 6          |   |
|             |                     | 1    | 890  | 4          |   |
|             |                     | 5    | 98   | 4          |   |
|             |                     | 5    | 890  | 4          |   |
|             |                     | 6    | 135  | 4          |   |
|             |                     | 6    | 697  | 4          |   |
|             |                     | 7    | 764  | 6          |   |

# 55-40-13

 ILLUSTRATED PARTS LIST  
 01.1 Page 1040G  
 Nov 01/00

| PART NUMBER | AIRLINE<br>PART NO. | FIG. | ITEM | TTL<br>REQ |
|-------------|---------------------|------|------|------------|
| HL11VAZ8-6  |                     | 1    | 545  | 30         |
|             |                     | 7    | 768  | 30         |
| HL11VAZ8-7  |                     | 1    | 100  | 4          |
|             |                     | 5    | 100  | 4          |
|             |                     | 6    | 138  | 4          |
| HL11V6-4    |                     | 1    | 94A  | 14         |
|             |                     | 1    | 529  | 2          |
|             |                     | 1    | 539  | 158        |
|             |                     | 1    | 555  | 8          |
|             |                     | 1    | 561  | 8          |
|             |                     | 1    | 581  | 128        |
|             |                     | 1    | 631  | 40         |
|             |                     | 1    | 637  | 30         |
|             |                     | 1    | 673  | 25         |
|             |                     | 1    | 697  | 20         |
|             |                     | 1    | 723  | 18         |
|             |                     | 1    | 746  | 17         |
|             |                     | 1    | 951  | 189        |
|             |                     | 2    | 127A | 88         |
|             |                     | 2    | 145A | 2          |
|             |                     | 2    | 190A | 4          |
|             |                     | 2    | 205  | 84         |
|             |                     | 2    | 220  | 4          |
|             |                     | 2    | 935  | 12         |
|             |                     | 3    | 20   | 22         |
|             |                     | 4    | 35   | 22         |
|             |                     | 5    | 94A  | 14         |
|             |                     | 5    | 555  | 8          |
|             |                     | 5    | 561  | 8          |
|             |                     | 5    | 581  | 128        |
|             |                     | 5    | 631  | 40         |
|             |                     | 5    | 637  | 30         |
| 5           | 673                 | 25   |      |            |
| 5           | 697                 | 20   |      |            |
| 5           | 723                 | 18   |      |            |
| 5           | 746                 | 17   |      |            |
| 5           | 951                 | 189  |      |            |
| 6           | 129                 | 14   |      |            |
| 6           | 198                 | 8    |      |            |
| 6           | 207                 | 8    |      |            |
| 6           | 240                 | 128  |      |            |
| 6           | 276                 | 40   |      |            |
| 6           | 285                 | 30   |      |            |
| 6           | 347                 | 25   |      |            |
| 6           | 383                 | 20   |      |            |
| 6           | 419                 | 18   |      |            |

# 55-40-13

 ILLUSTRATED PARTS LIST  
 01.1 Page 1040H  
 Nov 01/00


**BOEING**  
 COMPONENT  
 MAINTENANCE MANUAL

| PART NUMBER | AIRLINE<br>PART NO. | FIG. | ITEM | TTL<br>REQ |
|-------------|---------------------|------|------|------------|
| HL11V6-4    |                     | 6    | 455  | 17         |
|             |                     | 6    | 838  | 189        |
|             |                     | 7    | 720  | 2          |
| HL11V6-5    |                     | 7    | 752  | 158        |
|             |                     | 1    | 491  | 20         |
|             |                     | 1    | 497  | 50         |
|             |                     | 1    | 501  | 46         |
|             |                     | 1    | 513  | 58         |
|             |                     | 1    | 527  | 4          |
|             |                     | 1    | 536A | 6          |
|             |                     | 1    | 541  | 48         |
|             |                     | 1    | 675  | 1          |
|             |                     | 1    | 701  | 1          |
|             |                     | 1    | 727  | 1          |
|             |                     | 1    | 748  | 1          |
|             |                     | 1    | 761  | 15         |
|             |                     | 1    | 785  | 1          |
|             |                     | 1    | 804  | 11         |
|             |                     | 1    | 924  | 14         |
|             |                     | 2    | 150A | 2          |
|             |                     | 2    | 210  | 6          |
|             |                     | 2    | 225  | 2          |
|             |                     | 2    | 285  | 4          |
|             |                     | 2    | 340  | 60         |
|             |                     | 2    | 400  | 6          |
|             |                     | 2    | 500  | 8          |
|             |                     | 2    | 500A | 7          |
|             |                     | 2    | 615  | 8          |
|             |                     | 2    | 730  | 8          |
|             |                     | 2    | 800  | 56         |
|             | 2                   | 840  | 4    |            |
|             | 2                   | 855  | 52   |            |
|             | 2                   | 915  | 4    |            |
|             | 2                   | 930  | 22   |            |
|             | 5                   | 675  | 1    |            |
|             | 5                   | 701  | 1    |            |
|             | 5                   | 727  | 1    |            |
|             | 5                   | 748  | 1    |            |
|             | 5                   | 761  | 15   |            |
|             | 5                   | 785  | 1    |            |
|             | 5                   | 804  | 11   |            |
|             | 5                   | 924  | 14   |            |
|             | 6                   | 353  | 1    |            |
|             | 6                   | 389  | 1    |            |
|             | 6                   | 425  | 1    |            |

# 55-40-13

 ILLUSTRATED PARTS LIST  
 01.1 Page 1040I  
 Nov 01/00

| PART NUMBER  | AIRLINE<br>PART NO. | FIG.     | ITEM | TTL<br>REQ |     |   |
|--------------|---------------------|----------|------|------------|-----|---|
| HL11V6-5     |                     | 6        | 461  | 1          |     |   |
|              |                     | 6        | 494  | 15         |     |   |
|              |                     | 6        | 532  | 1          |     |   |
|              |                     | 6        | 565  | 11         |     |   |
|              |                     | 6        | 796  | 14         |     |   |
|              |                     | 7        | 668  | 20         |     |   |
|              |                     | 7        | 680  | 50         |     |   |
|              |                     | 7        | 692  | 46         |     |   |
|              |                     | 7        | 700  | 58         |     |   |
|              |                     | 7        | 716  | 4          |     |   |
|              |                     | 7        | 736  | 6          |     |   |
|              |                     | 7        | 756  | 48         |     |   |
|              |                     | HL11V6-7 |      | 1          | 247 | 8 |
|              |                     |          |      | 1          | 759 | 1 |
| 2            | 110A                |          |      | 4          |     |   |
| 2            | 125A                |          |      | 2          |     |   |
| 2            | 135A                |          |      | 2          |     |   |
| 2            | 300                 |          |      | 6          |     |   |
| 2            | 460                 |          |      | 6          |     |   |
| 2            | 575                 |          |      | 6          |     |   |
| 2            | 690                 |          |      | 6          |     |   |
| 2            | 765                 |          |      | 6          |     |   |
| 5            | 759                 |          |      | 1          |     |   |
| HL13VAZ10-12 |                     | 6        | 491  | 1          |     |   |
|              |                     | 7        | 284  | 8          |     |   |
|              |                     | 1        | 289A | 6          |     |   |
|              |                     | 1        | 335A | 12         |     |   |
|              |                     | 7        | 392  | 6          |     |   |
| HL13VAZ10-9  |                     | 7        | 444  | 12         |     |   |
|              |                     | 1        | 265A | 12         |     |   |
|              |                     | 7        | 348  | 12         |     |   |
| HL13V12      |                     | 1        | 289A | 6          |     |   |
|              |                     | 1        | 335A | 12         |     |   |
|              |                     | 7        | 392  | 6          |     |   |
| HL13V9       |                     | 7        | 444  | 12         |     |   |
|              |                     | 1        | 265A | 12         |     |   |
|              |                     | 7        | 348  | 12         |     |   |
| HL18PB8-8    |                     | 1        | 284G | 16         |     |   |
| HL18PB8-9    |                     | 1        | 284J | 24         |     |   |
| HL41PY8-4    |                     | 1        | 100G | 2          |     |   |
|              |                     | 5        | 100G | 2          |     |   |
| HL441N8-4    |                     | 1        | 100G | 2          |     |   |
|              |                     | 5        | 100G | 2          |     |   |

# 55-40-13

 ILLUSTRATED PARTS LIST  
 01.1 Page 1040J  
 Nov 01/00


**BOEING**  
 COMPONENT  
 MAINTENANCE MANUAL

| PART NUMBER | AIRLINE<br>PART NO. | FIG. | ITEM | TTL<br>REQ |
|-------------|---------------------|------|------|------------|
| HL441UC8-4  |                     | 1    | 100G | 2          |
|             |                     | 5    | 100G | 2          |
| HL79-10     |                     | 1    | 219  | 6          |
|             |                     | 1    | 235  | 6          |
|             |                     | 1    | 271  | 12         |
|             |                     | 1    | 295  | 10         |
|             |                     | 1    | 339  | 20         |
|             |                     | 1    | 363  | 6          |
|             |                     | 1    | 406  | 6          |
|             |                     | 1    | 423  | 12         |
|             |                     | 1    | 467  | 6          |
|             |                     | 7    | 220  | 6          |
|             |                     | 7    | 252  | 6          |
|             |                     | 7    | 356  | 12         |
|             |                     | 7    | 404  | 10         |
|             |                     | 7    | 452  | 20         |
|             |                     | 7    | 500  | 6          |
|             |                     | 7    | 540  | 6          |
|             |                     | 7    | 592  | 12         |
| HL79-6      |                     | 7    | 628  | 6          |
|             |                     | 1    | 202  | 8          |
|             |                     | 1    | 207  | 8          |
|             |                     | 1    | 249  | 16         |
|             |                     | 7    | 152  | 8          |
| HL79-8      |                     | 7    | 180  | 8          |
|             |                     | 7    | 296  | 16         |
|             |                     | 1    | 284L | 40         |
|             |                     | 1    | 297  | 8          |
| HL79-8      |                     | 1    | 341  | 16         |
|             |                     | 7    | 408  | 8          |
|             |                     | 7    | 456  | 16         |

# 55-40-13

 ILLUSTRATED PARTS LIST  
 01.1 Page 1040K  
 Nov 01/00

| PART NUMBER | AIRLINE<br>PART NO. | FIG. | ITEM | TTL<br>REQ |
|-------------|---------------------|------|------|------------|
| HL82-6APBW  |                     | 2    | 155A | 6          |
|             |                     | 2    | 230  | 6          |
| HL97DU6     |                     | 1    | 78   | 3          |
|             |                     | 1    | 86   | 3          |
|             |                     | 1    | 102  | 14         |
|             |                     | 1    | 122A | 57         |
|             |                     | 1    | 129  | 12         |
|             |                     | 1    | 141  | 9          |
|             |                     | 1    | 147  | 12         |
|             |                     | 1    | 183  | 7          |
|             |                     | 1    | 202A | 12         |
|             |                     | 1    | 207A | 6          |
|             |                     | 1    | 493  | 20         |
|             |                     | 1    | 499  | 50         |
|             |                     | 1    | 503  | 46         |
|             |                     | 1    | 517A | 58         |
|             |                     | 1    | 533  | 6          |
|             |                     | 1    | 537  | 6          |
|             |                     | 1    | 547  | 210        |
|             |                     | 1    | 557  | 8          |
|             |                     | 1    | 565  | 11         |
|             |                     | 1    | 587  | 140        |
|             |                     | 1    | 633  | 40         |
|             |                     | 1    | 641  | 58         |
|             |                     | 1    | 651  | 23         |
|             |                     | 1    | 657  | 20         |
|             |                     | 1    | 677  | 27         |
|             |                     | 1    | 703  | 22         |
|             |                     | 1    | 729  | 20         |
|             |                     | 1    | 749  | 19         |
|             |                     | 1    | 763  | 18         |
|             |                     | 1    | 787  | 14         |
|             |                     | 1    | 805  | 261        |
|             |                     | 1    | 823  | 10         |
|             |                     | 1    | 829  | 10         |
|             |                     | 1    | 839  | 15         |
|             |                     | 1    | 845  | 8          |
|             |                     | 1    | 855  | 12         |
|             |                     | 1    | 865  | 9          |
|             |                     | 1    | 875  | 9          |
|             |                     | 1    | 881  | 4          |
|             |                     | 1    | 885  | 2          |
|             |                     | 1    | 896  | 19         |
|             |                     | 1    | 907  | 19         |
|             |                     | 1    | 918  | 11         |
|             |                     | 1    | 925  | 16         |

# 55-40-13

 ILLUSTRATED PARTS LIST  
 01.1 Page 1040L  
 Nov 01/00


**BOEING**  
 COMPONENT  
 MAINTENANCE MANUAL

| PART NUMBER | AIRLINE<br>PART NO. | FIG. | ITEM | TTL<br>REQ |
|-------------|---------------------|------|------|------------|
|             |                     | 1    | 953  | 189        |
|             |                     | 2    | 115A | 4          |
|             |                     | 2    | 130A | 90         |
|             |                     | 2    | 195A | 4          |
|             |                     | 2    | 215  | 90         |
|             |                     | 2    | 290  | 4          |
|             |                     | 2    | 315  | 24         |
|             |                     | 2    | 345  | 60         |
|             |                     | 2    | 405  | 6          |
|             |                     | 2    | 470A | 16         |
|             |                     | 2    | 505  | 8          |
|             |                     | 2    | 505A | 7          |
|             |                     | 2    | 585  | 18         |
|             |                     | 2    | 620  | 8          |
|             |                     | 2    | 700  | 18         |
|             |                     | 2    | 735  | 8          |
|             |                     | 2    | 775  | 30         |
|             |                     | 2    | 805  | 56         |
|             |                     | 2    | 845  | 4          |
|             |                     | 2    | 860  | 52         |
|             |                     | 2    | 920  | 4          |
|             |                     | 2    | 940A | 34         |
|             |                     | 3    | 40   | 22         |
|             |                     | 4    | 55   | 22         |
|             |                     | 5    | 102  | 14         |
|             |                     | 5    | 122A | 57         |
|             |                     | 5    | 557  | 8          |
|             |                     | 5    | 565  | 11         |
|             |                     | 5    | 587  | 140        |
|             |                     | 5    | 633  | 40         |
|             |                     | 5    | 641  | 58         |
|             |                     | 5    | 651  | 23         |
|             |                     | 5    | 657  | 20         |
|             |                     | 5    | 677  | 27         |
|             |                     | 5    | 703  | 22         |
|             |                     | 5    | 729  | 20         |
|             |                     | 5    | 749  | 19         |
|             |                     | 5    | 763  | 18         |
|             |                     | 5    | 787  | 14         |
|             |                     | 5    | 805  | 261        |
|             |                     | 5    | 823  | 10         |
|             |                     | 5    | 829  | 10         |
|             |                     | 5    | 839  | 15         |
|             |                     | 5    | 845  | 8          |
|             |                     | 5    | 855  | 12         |
|             |                     | 5    | 865  | 9          |

# 55-40-13

 ILLUSTRATED PARTS LIST  
 01.1 Page 1040M  
 Nov 01/00



| PART NUMBER | AIRLINE<br>PART NO. | FIG. | ITEM | TTL<br>REQ |
|-------------|---------------------|------|------|------------|
|             |                     | 5    | 875  | 9          |
|             |                     | 5    | 881  | 4          |
|             |                     | 5    | 885  | 2          |
|             |                     | 5    | 896  | 19         |
|             |                     | 5    | 907  | 19         |
|             |                     | 5    | 918  | 11         |
|             |                     | 5    | 925  | 16         |
|             |                     | 5    | 953  | 189        |
|             |                     | 6    | 141  | 14         |
|             |                     | 6    | 192  | 57         |
|             |                     | 6    | 201  | 8          |
|             |                     | 6    | 216  | 11         |
|             |                     | 6    | 255  | 140        |
|             |                     | 6    | 279  | 40         |
|             |                     | 6    | 297  | 58         |
|             |                     | 6    | 317  | 23         |
|             |                     | 6    | 323  | 20         |
|             |                     | 6    | 356  | 27         |
|             |                     | 6    | 392  | 22         |
|             |                     | 6    | 428  | 20         |
|             |                     | 6    | 464  | 19         |
|             |                     | 6    | 500  | 18         |
|             |                     | 6    | 535  | 14         |
|             |                     | 6    | 568  | 261        |
|             |                     | 6    | 595  | 10         |
|             |                     | 6    | 604  | 10         |
|             |                     | 6    | 616  | 15         |
|             |                     | 6    | 628  | 8          |
|             |                     | 6    | 640  | 12         |
|             |                     | 6    | 655  | 9          |
|             |                     | 6    | 670  | 9          |
|             |                     | 6    | 682  | 4          |
|             |                     | 6    | 691  | 2          |
|             |                     | 6    | 721  | 19         |
|             |                     | 6    | 748  | 19         |
|             |                     | 6    | 775  | 11         |
|             |                     | 6    | 802  | 16         |
|             |                     | 6    | 841  | 189        |
|             |                     | 7    | 8    | 12         |
|             |                     | 7    | 32   | 9          |
|             |                     | 7    | 44   | 12         |
|             |                     | 7    | 92   | 7          |
|             |                     | 7    | 156  | 12         |
|             |                     | 7    | 184  | 6          |
|             |                     | 7    | 672  | 20         |
|             |                     | 7    | 684  | 50         |

# 55-40-13

 ILLUSTRATED PARTS LIST  
 01.1 Page 1040N  
 Nov 01/00


**BOEING**  
 COMPONENT  
 MAINTENANCE MANUAL

| PART NUMBER | AIRLINE<br>PART NO. | FIG. | ITEM | TTL<br>REQ |
|-------------|---------------------|------|------|------------|
| HL97DU8     |                     | 7    | 696  | 46         |
|             |                     | 7    | 704  | 58         |
|             |                     | 7    | 724  | 6          |
|             |                     | 7    | 740  | 6          |
|             |                     | 7    | 788  | 210        |
|             |                     | 1    | 104  | 36         |
|             |                     | 1    | 135A | 10         |
|             |                     | 1    | 153A | 9          |
|             |                     | 1    | 165A | 7          |
|             |                     | 1    | 177A | 7          |
|             |                     | 1    | 189A | 5          |
|             |                     | 1    | 193A | 5          |
|             |                     | 1    | 197  | 3          |
|             |                     | 1    | 221A | 10         |
|             |                     | 1    | 273A | 14         |
|             |                     | 1    | 365A | 8          |
|             |                     | 1    | 407A | 8          |
|             |                     | 1    | 469A | 6          |
|             |                     | 1    | 549  | 36         |
|             |                     | 1    | 891  | 4          |
|             |                     | 5    | 104  | 36         |
|             |                     | 5    | 891  | 4          |
|             |                     | 6    | 144  | 36         |
|             |                     | 6    | 700  | 4          |
|             |                     | 7    | 20   | 10         |
|             |                     | 7    | 56   | 9          |
|             |                     | 7    | 68   | 7          |
|             |                     | 7    | 80   | 7          |
|             |                     | 7    | 104  | 5          |
|             |                     | 7    | 116  | 5          |
|             |                     | 7    | 128  | 3          |
|             | 7                   | 224  | 10   |            |
|             | 7                   | 360  | 14   |            |
|             | 7                   | 504  | 8    |            |
|             | 7                   | 544  | 8    |            |
|             | 7                   | 632  | 6    |            |
|             | 7                   | 792  | 36   |            |

# 55-40-13

ILLUSTRATED PARTS LIST  
 01.1 Page 10400  
 Nov 01/00

| PART NUMBER | AIRLINE<br>PART NO. | FIG. | ITEM | TTL<br>REQ |
|-------------|---------------------|------|------|------------|
| KFN305C3    |                     | 1    | 78A  | 3          |
|             |                     | 1    | 86A  | 3          |
|             |                     | 1    | 102A | 14         |
|             |                     | 1    | 122B | 57         |
|             |                     | 1    | 557A | 8          |

**55-40-13**

ILLUSTRATED PARTS LIST  
 01.1 Page 1040P  
 Nov 01/00


**BOEING**  
 COMPONENT  
 MAINTENANCE MANUAL

| PART NUMBER | AIRLINE<br>PART NO. | FIG. | ITEM | TTL<br>REQ |
|-------------|---------------------|------|------|------------|
| KFN305C3    |                     | 1    | 565A | 11         |
|             |                     | 1    | 587A | 140        |
|             |                     | 1    | 633A | 40         |
|             |                     | 1    | 641A | 58         |
|             |                     | 1    | 651A | 23         |
|             |                     | 1    | 657A | 20         |
|             |                     | 1    | 677A | 27         |
|             |                     | 1    | 703A | 22         |
|             |                     | 1    | 729A | 20         |
|             |                     | 1    | 749A | 19         |
|             |                     | 1    | 763A | 18         |
|             |                     | 1    | 787A | 14         |
|             |                     | 1    | 805A | 261        |
|             |                     | 1    | 896A | 19         |
|             |                     | 1    | 907A | 19         |
|             |                     | 1    | 918A | 11         |
|             |                     | 1    | 925A | 16         |
|             |                     | 1    | 953A | 189        |
|             |                     | 2    | 115B | 4          |
|             |                     | 2    | 130B | 90         |
|             |                     | 2    | 195B | 4          |
|             |                     | 2    | 215A | 90         |
|             |                     | 2    | 290A | 4          |
|             |                     | 2    | 315A | 24         |
|             |                     | 2    | 345A | 60         |
|             |                     | 2    | 405A | 6          |
|             |                     | 2    | 505B | 8          |
|             |                     | 2    | 505C | 7          |
|             |                     | 2    | 585A | 18         |
|             |                     | 2    | 620A | 8          |
|             |                     | 2    | 700A | 18         |
|             |                     | 2    | 735A | 8          |
|             |                     | 2    | 775A | 30         |
|             |                     | 2    | 805A | 56         |
|             |                     | 2    | 845A | 4          |
|             |                     | 2    | 860A | 52         |
|             |                     | 2    | 920A | 4          |
|             |                     | 2    | 940B | 34         |
|             |                     | 3    | 40A  | 22         |
|             |                     | 4    | 55A  | 22         |
|             | 5                   | 102A | 14   |            |
|             | 5                   | 122B | 57   |            |
|             | 5                   | 557A | 8    |            |
|             | 5                   | 565A | 11   |            |
|             | 5                   | 587A | 140  |            |

# 55-40-13

 ILLUSTRATED PARTS LIST  
 01.1 Page 1040Q  
 Nov 01/00

| PART NUMBER | AIRLINE<br>PART NO. | FIG. | ITEM | TTL<br>REQ |
|-------------|---------------------|------|------|------------|
| KFN305C3    |                     | 5    | 633A | 40         |
|             |                     | 5    | 641A | 58         |
|             |                     | 5    | 651A | 23         |
|             |                     | 5    | 657A | 20         |
|             |                     | 5    | 677A | 27         |
|             |                     | 5    | 703A | 22         |
|             |                     | 5    | 729A | 20         |
|             |                     | 5    | 749A | 19         |
|             |                     | 5    | 763A | 18         |
|             |                     | 5    | 787A | 14         |
|             |                     | 5    | 805A | 261        |
|             |                     | 5    | 896A | 19         |
|             |                     | 5    | 907A | 19         |
|             |                     | 5    | 918A | 11         |
|             |                     | 5    | 925A | 16         |
|             |                     | 5    | 953A | 189        |
|             |                     | 6    | 141A | 14         |
|             |                     | 6    | 192A | 57         |
|             |                     | 6    | 201A | 8          |
|             |                     | 6    | 216A | 11         |
|             |                     | 6    | 255A | 140        |
|             |                     | 6    | 279A | 58         |
|             |                     | 6    | 297A | 58         |
|             |                     | 6    | 317A | 23         |
|             |                     | 6    | 323A | 20         |
|             |                     | 6    | 356A | 27         |
|             |                     | 6    | 392A | 22         |
|             |                     | 6    | 428A | 20         |
|             |                     | 6    | 464A | 19         |
|             |                     | 6    | 535A | 14         |
|             |                     | 6    | 568A | 261        |
|             |                     | 6    | 721A | 19         |
|             |                     | 6    | 748A | 19         |
|             | 6                   | 775A | 11   |            |
|             | 6                   | 802A | 16   |            |
|             | 6                   | 841A | 189  |            |
| KSP3L       |                     | 1    | 259  | 1          |
|             |                     | 7    | 324  | 1          |
| KSP3LFS428  |                     | 1    | 259  | 1          |
|             |                     | 7    | 324  | 1          |
| KSP3LG27    |                     | 1    | 259  | 1          |
|             |                     | 7    | 324  | 1          |

# 55-40-13

 ILLUSTRATED PARTS LIST  
 01.1 Page 1040R  
 Nov 01/00


**BOEING**  
 COMPONENT  
 MAINTENANCE MANUAL

| PART NUMBER | AIRLINE<br>PART NO. | FIG. | ITEM | TTL<br>REQ |
|-------------|---------------------|------|------|------------|
| KSP3LSD610  |                     | 7    | 324  | 1          |
| KSP3L2TS    |                     | 1    | 259  | 1          |
| KSP3L2TS    |                     | 7    | 324  | 1          |
| K51602-3BAC |                     | 1    | 32A  | 2          |
|             |                     | 1    | 43B  | 10         |
|             |                     | 1    | 112A | 27         |
|             |                     | 1    | 261A | 4          |
|             |                     | 1    | 483A | 9          |
|             |                     | 1    | 573A | 1          |
|             |                     | 1    | 593A | 9          |
|             |                     | 1    | 663A | 58         |
|             |                     | 1    | 689A | 25         |
|             |                     | 1    | 715A | 19         |
|             |                     | 1    | 739A | 17         |
|             |                     | 1    | 754A | 16         |
|             |                     | 1    | 771A | 17         |
|             |                     | 1    | 795A | 11         |
|             |                     | 1    | 813A | 261        |
|             |                     | 1    | 899A | 18         |
|             |                     | 1    | 913A | 18         |
|             |                     | 1    | 921A | 10         |
|             |                     | 1    | 928A | 16         |
|             |                     | 1    | 957A | 41         |
|             |                     | 2    | 80A  | 34         |
|             |                     | 2    | 435A | 12         |
|             |                     | 2    | 550A | 12         |
|             |                     | 2    | 665A | 12         |
|             |                     | 5    | 32A  | 2          |
|             |                     | 5    | 43B  | 10         |
|             |                     | 5    | 112A | 27         |
|             |                     | 5    | 573A | 1          |
|             |                     | 5    | 593A | 9          |
|             |                     | 5    | 663A | 58         |
|             |                     | 5    | 689A | 25         |
|             |                     | 5    | 715A | 19         |
|             |                     | 5    | 739A | 17         |
|             |                     | 5    | 754A | 16         |
|             |                     | 5    | 771A | 17         |
|             |                     | 5    | 795A | 11         |
|             |                     | 5    | 813A | 261        |
|             |                     | 5    | 899A | 18         |
|             |                     | 5    | 913A | 18         |
|             |                     | 5    | 921A | 10         |
|             |                     | 5    | 928A | 16         |
|             |                     | 5    | 957A | 41         |
|             |                     | 6    | 57   | 2          |

55-40-13

ILLUSTRATED PARTS LIST

01.1 Page 1040S

Nov 01/00

| PART NUMBER  | AIRLINE<br>PART NO. | FIG. | ITEM | TTL<br>REQ |
|--------------|---------------------|------|------|------------|
| K51602-3BAC  |                     | 6    | 93   | 10         |
|              |                     | 6    | 174  | 27         |
|              |                     | 6    | 237  | 1          |
|              |                     | 6    | 267  | 9          |
|              |                     | 6    | 338  | 58         |
|              |                     | 6    | 377  | 25         |
|              |                     | 6    | 413  | 19         |
|              |                     | 6    | 446  | 17         |
|              |                     | 6    | 482  | 16         |
|              |                     | 6    | 520  | 17         |
|              |                     | 6    | 553  | 11         |
|              |                     | 6    | 586  | 261        |
|              |                     | 6    | 736  | 18         |
|              |                     | 6    | 763  | 18         |
|              |                     | 6    | 790  | 10         |
|              |                     | 6    | 814  | 16         |
|              |                     | 6    | 850  | 42         |
|              |                     | 7    | 336  | 4          |
|              |                     | 7    | 664  | 9          |
|              | K51602-4BAC         |      | 1    | 52A        |
|              |                     | 1    | 72A  | 6          |
|              |                     | 5    | 72A  | 6          |
| LH13VAZ10-12 |                     | 6    | 123  | 6          |
|              |                     | 1    | 289A | 6          |
|              |                     | 1    | 335A | 12         |
|              |                     | 7    | 392  | 6          |
| L8006K6      |                     | 7    | 444  | 12         |
|              |                     | 1    | 77   | 3          |
|              |                     | 1    | 289A | 6          |
|              |                     | 1    | 335A | 12         |
| L801-10K12   |                     | 7    | 392  | 6          |
|              |                     | 7    | 444  | 12         |
|              |                     | 1    | 265A | 12         |
| L801-10K9    |                     | 7    | 348  | 12         |
|              |                     | 1    | 463  | 6          |
| L803-10K10   |                     | 7    | 620  | 6          |
|              |                     | 1    | 289  | 6          |
| L803-10K12   |                     | 1    | 335  | 12         |
|              |                     | 1    | 422  | 6          |
| L803-10K8    |                     | 7    | 588  | 6          |
|              |                     | 1    | 209  | 6          |
| L803-10K9    |                     | 1    | 233  | 6          |
|              |                     | 1    | 265  | 12         |
|              |                     | 1    | 287  | 4          |
|              |                     | 1    | 333  | 8          |
|              |                     | 1    | 355  | 6          |
|              |                     | 1    |      |            |

# 55-40-13

 ILLUSTRATED PARTS LIST  
 01.1 Page 1040T  
 Nov 01/00


**BOEING**  
 COMPONENT  
 MAINTENANCE MANUAL

| PART NUMBER | AIRLINE<br>PART NO. | FIG. | ITEM | TTL<br>REQ |     |
|-------------|---------------------|------|------|------------|-----|
| L803-10K9   |                     | 1    | 399  | 6          |     |
|             |                     | 1    | 421  | 6          |     |
|             |                     | 7    | 200  | 6          |     |
|             |                     | 7    | 248  | 6          |     |
|             |                     | 7    | 388  | 4          |     |
|             |                     | 7    | 440  | 8          |     |
|             |                     | 7    | 488  | 6          |     |
|             |                     | 7    | 528  | 6          |     |
|             |                     | 7    | 584  | 6          |     |
|             | L803-6-4            |      | 1    | 94A        | 14  |
|             |                     |      | 1    | 529        | 2   |
|             |                     |      | 1    | 539        | 158 |
|             |                     |      | 1    | 555        | 8   |
|             |                     |      | 1    | 561        | 8   |
|             |                     | 1    | 581  | 128        |     |
|             |                     | 1    | 631  | 40         |     |
|             |                     | 1    | 637  | 30         |     |
|             |                     | 1    | 673  | 25         |     |
|             |                     | 1    | 697  | 20         |     |
|             |                     | 1    | 723  | 18         |     |
|             |                     | 1    | 746  | 17         |     |
|             |                     | 1    | 951  | 189        |     |
|             |                     | 2    | 127A | 88         |     |
|             |                     | 2    | 145A | 2          |     |
|             |                     | 2    | 190A | 4          |     |
|             |                     | 2    | 205  | 84         |     |
|             |                     | 2    | 220  | 4          |     |
|             |                     | 2    | 935  | 12         |     |
|             |                     | 3    | 20   | 22         |     |
|             |                     | 4    | 35   | 22         |     |
|             |                     | 5    | 94A  | 14         |     |
|             |                     | 5    | 555  | 8          |     |
|             |                     | 5    | 561  | 8          |     |
|             |                     | 5    | 581  | 128        |     |
|             |                     | 5    | 631  | 40         |     |
|             |                     | 5    | 637  | 30         |     |
|             |                     | 5    | 673  | 25         |     |
|             |                     | 5    | 697  | 20         |     |
|             |                     | 5    | 723  | 18         |     |
|             | 5                   | 746  | 17   |            |     |
|             | 5                   | 951  | 189  |            |     |
|             | 6                   | 129  | 14   |            |     |
|             | 6                   | 198  | 8    |            |     |
|             | 6                   | 207  | 8    |            |     |
|             | 6                   | 240  | 128  |            |     |

# 55-40-13

 ILLUSTRATED PARTS LIST  
 01.1 Page 1040U  
 Nov 01/00



| PART NUMBER | AIRLINE<br>PART NO. | FIG. | ITEM | TTL<br>REQ |
|-------------|---------------------|------|------|------------|
| L803-6-4    |                     | 6    | 276  | 40         |
|             |                     | 6    | 285  | 30         |
|             |                     | 6    | 347  | 25         |
|             |                     | 6    | 383  | 20         |
|             |                     | 6    | 419  | 18         |
|             |                     | 6    | 455  | 17         |
|             |                     | 6    | 838  | 189        |
|             |                     | 7    | 720  | 2          |
|             |                     | 7    | 752  | 158        |
|             | L803-6-5            |      | 1    | 491        |
|             |                     | 1    | 497  | 50         |
|             |                     | 1    | 501  | 46         |
|             |                     | 1    | 513  | 58         |
|             |                     | 1    | 527  | 4          |
|             |                     | 1    | 536A | 6          |
|             |                     | 1    | 541  | 48         |
|             |                     | 1    | 675  | 1          |
|             |                     | 1    | 701  | 1          |
|             |                     | 1    | 727  | 1          |
|             |                     | 1    | 748  | 1          |
|             |                     | 1    | 761  | 15         |
|             |                     | 1    | 785  | 1          |
|             |                     | 1    | 804  | 11         |
|             |                     | 1    | 924  | 14         |
|             |                     | 2    | 150A | 2          |
|             |                     | 2    | 210  | 6          |
|             |                     | 2    | 225  | 2          |
|             |                     | 2    | 285  | 4          |
|             |                     | 2    | 340  | 60         |
|             |                     | 2    | 400  | 6          |
|             |                     | 2    | 500  | 8          |
|             |                     | 2    | 500A | 7          |
|             |                     | 2    | 615  | 8          |
|             |                     | 2    | 730  | 8          |
|             |                     | 2    | 800  | 56         |
|             |                     | 2    | 840  | 4          |
|             |                     | 2    | 855  | 52         |
|             |                     | 2    | 915  | 4          |
|             |                     | 2    | 930  | 22         |
|             | 5                   | 675  | 1    |            |
|             | 5                   | 701  | 1    |            |
|             | 5                   | 727  | 1    |            |
|             | 5                   | 748  | 1    |            |
|             | 5                   | 761  | 15   |            |
|             | 5                   | 785  | 1    |            |

# 55-40-13

 ILLUSTRATED PARTS LIST  
 01.1 Page 1040V  
 Nov 01/00


**BOEING**  
 COMPONENT  
 MAINTENANCE MANUAL

| PART NUMBER | AIRLINE<br>PART NO. | FIG. | ITEM | TTL<br>REQ |   |
|-------------|---------------------|------|------|------------|---|
| L803-6-5    |                     | 5    | 804  | 11         |   |
|             |                     | 5    | 924  | 14         |   |
|             |                     | 6    | 353  | 1          |   |
|             |                     | 6    | 389  | 1          |   |
|             |                     | 6    | 425  | 1          |   |
|             |                     | 6    | 461  | 1          |   |
|             |                     | 6    | 494  | 15         |   |
|             |                     | 6    | 532  | 1          |   |
|             |                     | 6    | 565  | 11         |   |
|             |                     | 6    | 796  | 14         |   |
|             |                     | 7    | 668  | 20         |   |
|             |                     | 7    | 680  | 50         |   |
|             |                     | 7    | 692  | 46         |   |
|             |                     | 7    | 700  | 58         |   |
|             |                     | 7    | 716  | 4          |   |
|             |                     | 7    | 736  | 6          |   |
|             |                     | 7    | 756  | 48         |   |
|             | L803-6-7            |      | 1    | 247        | 8 |
|             |                     |      | 1    | 759        | 1 |
|             |                     |      | 2    | 110A       | 4 |
|             |                     | 2    | 125A | 2          |   |
|             |                     | 2    | 135A | 2          |   |
|             |                     | 2    | 300  | 6          |   |
|             |                     | 2    | 460  | 6          |   |
|             |                     | 2    | 575  | 6          |   |
|             |                     | 2    | 690  | 6          |   |
|             |                     | 2    | 765  | 6          |   |
| L803-6K3    |                     | 5    | 759  | 1          |   |
|             |                     | 6    | 491  | 1          |   |
|             |                     | 7    | 284  | 8          |   |
|             |                     | 1    | 119  | 10         |   |
|             |                     | 1    | 639  | 24         |   |
|             |                     | 1    | 649  | 23         |   |
|             |                     | 1    | 655  | 20         |   |
|             |                     | 1    | 783  | 11         |   |
|             |                     | 1    | 803  | 250        |   |
|             |                     | 1    | 819  | 5          |   |
|             |                     | 1    | 895  | 17         |   |
|             |                     | 1    | 905  | 17         |   |
|             |                     | 1    | 917  | 9          |   |
|             |                     | 2    | 305  | 11         |   |
|             | 2                   | 455  | 6    |            |   |
|             | 2                   | 570  | 8    |            |   |
|             | 2                   | 685  | 8    |            |   |
|             | 2                   | 760  | 15   |            |   |

55-40-13

 ILLUSTRATED PARTS LIST  
 01.1 Page 1040W  
 Nov 01/00

| PART NUMBER | AIRLINE<br>PART NO. | FIG. | ITEM | TTL<br>REQ |   |
|-------------|---------------------|------|------|------------|---|
| L803-6K3    |                     | 5    | 119  | 10         |   |
|             |                     | 5    | 639  | 24         |   |
|             |                     | 5    | 649  | 23         |   |
|             |                     | 5    | 655  | 20         |   |
|             |                     | 5    | 783  | 11         |   |
|             |                     | 5    | 803  | 250        |   |
|             |                     | 5    | 819  | 5          |   |
|             |                     | 5    | 895  | 17         |   |
|             |                     | 5    | 905  | 17         |   |
|             |                     | 5    | 917  | 9          |   |
|             |                     | 6    | 183  | 10         |   |
|             |                     | 6    | 291  | 24         |   |
|             |                     | 6    | 314  | 23         |   |
|             |                     | 6    | 320  | 20         |   |
|             |                     | 6    | 526  | 11         |   |
|             |                     | 6    | 562  | 250        |   |
|             |                     | 6    | 589  | 5          |   |
|             |                     | 6    | 715  | 17         |   |
|             |                     | 6    | 742  | 17         |   |
|             |                     | 6    | 769  | 9          |   |
|             | L803-6K6            |      | 1    | 542        | 4 |
|             |                     |      | 1    | 563        | 2 |
|             |                     |      | 1    | 583        | 9 |
|             |                     |      | 5    | 563        | 2 |
|             |                     | 5    | 583  | 9          |   |
|             |                     | 6    | 210  | 2          |   |
|             |                     | 6    | 243  | 9          |   |
| L803-6R3    |                     | 7    | 760  | 4          |   |
|             |                     | 1    | 640  | 1          |   |
|             |                     | 1    | 699A | 1          |   |
|             |                     | 1    | 725A | 1          |   |
|             |                     | 1    | 747A | 1          |   |
|             |                     | 1    | 784  | 2          |   |
|             |                     | 1    | 895G | 2          |   |
|             |                     | 1    | 906  | 2          |   |
|             |                     | 1    | 917G | 2          |   |
|             |                     | 5    | 640  | 1          |   |
|             |                     | 5    | 699A | 1          |   |
|             |                     | 5    | 725A | 1          |   |
|             |                     | 5    | 747A | 1          |   |
|             |                     | 5    | 784  | 2          |   |
|             |                     | 5    | 895G | 2          |   |
|             |                     | 5    | 906  | 2          |   |
|             | 5                   | 917G | 2    |            |   |
|             | 6                   | 294  | 1    |            |   |

# 55-40-13

 ILLUSTRATED PARTS LIST  
 01.1 Page 1040X  
 Nov 01/00


**BOEING**  
 COMPONENT  
 MAINTENANCE MANUAL

| PART NUMBER    | AIRLINE<br>PART NO. | FIG. | ITEM | TTL<br>REQ |
|----------------|---------------------|------|------|------------|
| L803-6R3       |                     | 6    | 386  | 1          |
|                |                     | 6    | 422  | 1          |
|                |                     | 6    | 458  | 1          |
|                |                     | 6    | 529  | 2          |
|                |                     | 6    | 718  | 2          |
|                |                     | 6    | 745  | 2          |
|                |                     | 6    | 772  | 2          |
|                | L803-6R4            |      | 1    | 638        |
|                |                     | 1    | 674  | 1          |
|                |                     | 5    | 638  | 3          |
|                |                     | 5    | 674  | 1          |
|                |                     | 6    | 288  | 3          |
|                |                     | 6    | 350  | 1          |
| L803-6R5       |                     | 1    | 762  | 2          |
|                |                     | 1    | 924G | 2          |
|                |                     | 5    | 762  | 2          |
|                |                     | 5    | 924G | 2          |
|                |                     | 6    | 497  | 2          |
|                |                     | 6    | 799  | 2          |
| L803-6R6       |                     | 1    | 564  | 1          |
|                |                     | 1    | 584  | 3          |
|                |                     | 5    | 564  | 1          |
|                |                     | 5    | 584  | 3          |
|                |                     | 6    | 213  | 1          |
|                |                     | 6    | 246  | 3          |
| L803-8K4       |                     | 1    | 96   | 26         |
|                |                     | 5    | 96   | 26         |
|                |                     | 6    | 132  | 28         |
| L803-8K5       |                     | 1    | 98   | 4          |
|                |                     | 1    | 543  | 6          |
|                |                     | 1    | 890  | 4          |
|                |                     | 5    | 98   | 4          |
|                |                     | 5    | 890  | 4          |
|                |                     | 6    | 135  | 4          |
|                |                     | 6    | 697  | 4          |
| L803-8K6       |                     | 7    | 764  | 6          |
|                |                     | 1    | 545  | 30         |
|                |                     | 7    | 768  | 30         |
| L803-8K7       |                     | 1    | 100  | 4          |
|                |                     | 5    | 100  | 4          |
|                |                     | 6    | 138  | 4          |
| L839-8A4       |                     | 1    | 100G | 2          |
|                |                     | 5    | 100G | 2          |
| MF51594-3-2BAC |                     | 2    | 85   | 5          |
| MILP15035      |                     | 1    | 893  | 1          |
| MILP15035      |                     | 5    | 893  | 1          |
|                |                     | 6    | 709  | 1          |

55-40-13

 ILLUSTRATED PARTS LIST  
 01.1 Page 1040Y  
 Nov 01/00

| PART NUMBER     | AIRLINE<br>PART NO. | FIG. | ITEM | TTL<br>REQ |
|-----------------|---------------------|------|------|------------|
| MS24665-151     |                     | 1    | 110  | 3          |
|                 |                     | 5    | 110  | 3          |
|                 |                     | 6    | 162  | 3          |
| MS27253PS       |                     | 1    | 971  | 1          |
|                 |                     | 5    | 971  | 1          |
| MS27253P3       |                     | 6    | 874A | 1          |
| NAS1836C06-08M  |                     | 1    | 17A  | 8          |
|                 |                     | 5    | 17A  | 8          |
|                 |                     | 6    | 12   | 8          |
| NAS463XC416H    |                     | 1    | 53A  | 24         |
| NAS463XC416M    |                     | 1    | 54   | 2          |
| NAS500WC10      |                     | 1    | 111  | 3          |
|                 |                     | 5    | 111  | 3          |
|                 |                     | 6    | 165  | 3          |
| NS103191SE048-4 |                     | 1    | 52C  | 24         |
|                 |                     | 5    | 52C  | 24         |
|                 |                     | 6    | 99A  | 24         |
| NS103192-048    |                     | 1    | 251  | 8          |
|                 |                     | 7    | 304  | 8          |
| NS202438-02-2   |                     | 2    | 85   | 5          |
|                 |                     | 1    | 32A  | 2          |
| NS202476-02     |                     | 1    | 43B  | 10         |
|                 |                     | 1    | 112A | 27         |
|                 |                     | 1    | 261A | 4          |
|                 |                     | 1    | 483A | 9          |
|                 |                     | 1    | 573A | 1          |
|                 |                     | 1    | 593A | 9          |
|                 |                     | 1    | 663A | 58         |
|                 |                     | 1    | 689A | 25         |
|                 |                     | 1    | 715A | 19         |
|                 |                     | 1    | 739A | 17         |
|                 |                     | 1    | 754A | 16         |
|                 |                     | 1    | 771A | 17         |
|                 |                     | 1    | 795A | 11         |
|                 |                     | 1    | 813A | 261        |
|                 |                     | 1    | 899A | 18         |
| 1               | 913A                | 18   |      |            |
| 1               | 921A                | 10   |      |            |
| 1               | 928A                | 16   |      |            |
| 1               | 957A                | 41   |      |            |
| 2               | 80A                 | 34   |      |            |
| 2               | 435A                | 12   |      |            |
| 2               | 550A                | 12   |      |            |

# 55-40-13

 ILLUSTRATED PARTS LIST  
 01.1 Page 1040Z  
 Nov 01/00


**BOEING**  
 COMPONENT  
 MAINTENANCE MANUAL

| PART NUMBER   | AIRLINE<br>PART NO. | FIG. | ITEM | TTL<br>REQ |    |
|---------------|---------------------|------|------|------------|----|
| NS202476-02   |                     | 2    | 665A | 12         |    |
|               |                     | 5    | 32A  | 2          |    |
|               |                     | 5    | 43B  | 10         |    |
|               |                     | 5    | 112A | 27         |    |
|               |                     | 5    | 573A | 1          |    |
|               |                     | 5    | 593A | 9          |    |
|               |                     | 5    | 663A | 58         |    |
|               |                     | 5    | 689A | 25         |    |
|               |                     | 5    | 715A | 19         |    |
|               |                     | 5    | 739A | 17         |    |
|               |                     | 5    | 754A | 16         |    |
|               |                     | 5    | 771A | 17         |    |
|               |                     | 5    | 795A | 11         |    |
|               |                     | 5    | 813A | 261        |    |
|               |                     | 5    | 899A | 18         |    |
|               |                     | 5    | 913A | 18         |    |
|               |                     | 5    | 921A | 10         |    |
|               |                     | 5    | 928A | 16         |    |
|               |                     | 5    | 957A | 41         |    |
|               |                     | 6    | 57   | 2          |    |
|               |                     | 6    | 93   | 10         |    |
|               |                     | 6    | 174  | 27         |    |
|               |                     | 6    | 237  | 1          |    |
|               |                     | 6    | 267  | 9          |    |
|               |                     | 6    | 338  | 58         |    |
|               |                     | 6    | 377  | 25         |    |
|               |                     | 6    | 413  | 19         |    |
|               |                     | 6    | 446  | 17         |    |
|               |                     | 6    | 482  | 16         |    |
|               |                     | 6    | 520  | 17         |    |
|               |                     | 6    | 553  | 11         |    |
|               |                     | 6    | 586  | 261        |    |
|               |                     | 6    | 736  | 18         |    |
|               |                     | 6    | 763  | 18         |    |
|               |                     | 6    | 790  | 10         |    |
|               |                     | 6    | 814  | 16         |    |
|               |                     | 6    | 850  | 42         |    |
|               |                     | 7    | 336  | 4          |    |
|               |                     | 7    | 664  | 9          |    |
|               | NS202476-048        |      | 1    | 52A        | 24 |
|               |                     |      | 1    | 72A        | 6  |
|               |                     | 5    | 72A  | 6          |    |
| NS202493-02-3 |                     | 6    | 123  | 6          |    |
|               |                     | 1    | 35G  | 10         |    |
|               |                     | 5    | 35G  | 10         |    |

# 55-40-13

ILLUSTRATED PARTS LIST

01.1

Page 1041

Nov 01/00

| PART NUMBER    | AIRLINE<br>PART NO. | FIG. | ITEM | TTL<br>REQ |
|----------------|---------------------|------|------|------------|
| NS202493-02-3  |                     | 6    | 66   | 10         |
|                |                     | 1    | 52B  | 24         |
| NS202493-048-4 |                     | 5    | 52B  | 24         |
|                |                     | 6    | 99   | 24         |
| NS202495-02    |                     | 1    | 34   | 4          |
|                |                     | 1    | 42   | 2          |
|                |                     | 1    | 70   | 4          |
|                |                     | 1    | 70G  | 6          |
|                |                     | 1    | 571A | 2          |
|                |                     | 1    | 591A | 3          |
|                |                     | 1    | 687A | 2          |
|                |                     | 1    | 713A | 3          |
|                |                     | 1    | 741A | 3          |
|                |                     | 1    | 755B | 3          |
|                |                     | 1    | 769A | 1          |
|                |                     | 1    | 797A | 3          |
|                |                     | 1    | 898A | 1          |
|                |                     | 1    | 911A | 1          |
|                |                     | 1    | 920A | 1          |
|                |                     | 5    | 34   | 4          |
|                |                     | 5    | 42   | 2          |
|                |                     | 5    | 70G  | 6          |
|                |                     | 5    | 571A | 2          |
|                |                     | 5    | 591A | 3          |
|                |                     | 5    | 687A | 2          |
|                |                     | 5    | 713A | 3          |
|                |                     | 5    | 741A | 3          |
|                |                     | 5    | 755B | 3          |
|                |                     | 5    | 769A | 1          |
|                |                     | 5    | 797A | 3          |
| 5              | 898A                | 1    |      |            |
| 5              | 911A                | 1    |      |            |
| 5              | 920A                | 1    |      |            |
| 6              | 60                  | 4    |      |            |
| 6              | 90                  | 2    |      |            |
| 6              | 117                 | 6    |      |            |
| 6              | 234                 | 2    |      |            |
| 6              | 264                 | 3    |      |            |
| 6              | 374                 | 2    |      |            |
| 6              | 410                 | 3    |      |            |
| 6              | 449                 | 3    |      |            |
| 6              | 485                 | 3    |      |            |
| 6              | 517                 | 1    |      |            |
| 6              | 556                 | 3    |      |            |
| 6              | 733                 | 1    |      |            |

# 55-40-13

 ILLUSTRATED PARTS LIST  
 01.1 Page 1042  
 Nov 01/00


**BOEING**  
 COMPONENT  
 MAINTENANCE MANUAL

| PART NUMBER | AIRLINE<br>PART NO. | FIG. | ITEM | TTL<br>REQ |
|-------------|---------------------|------|------|------------|
| NS202495-02 |                     | 6    | 760  | 1          |
|             |                     | 6    | 787  | 1          |
| RMF9214-4   |                     | 1    | 251  | 8          |
|             |                     | 7    | 304  | 8          |
| RV541A3-1   |                     | 1    | 69A  | 4          |
|             |                     | 1    | 69G  | 8          |
|             |                     | 5    | 69G  | 8          |
|             |                     | 6    | 111  | 8          |
| RV541A3-2   |                     | 1    | 31A  | 12         |
|             |                     | 1    | 40   | 24         |
|             |                     | 1    | 50A  | 48         |
|             |                     | 1    | 69N  | 4          |
|             |                     | 1    | 71A  | 12         |
|             |                     | 1    | 113A | 48         |
|             |                     | 1    | 485A | 18         |
|             |                     | 1    | 575  | 6          |
|             |                     | 1    | 595  | 24         |
|             |                     | 1    | 667  | 116        |
|             |                     | 1    | 691  | 54         |
|             |                     | 1    | 717  | 44         |
|             |                     | 1    | 743  | 40         |
|             |                     | 1    | 756  | 38         |
|             |                     | 1    | 773  | 36         |
|             |                     | 1    | 799  | 28         |
|             |                     | 1    | 815  | 522        |
|             |                     | 1    | 901  | 38         |
|             |                     | 1    | 915  | 38         |
|             |                     | 1    | 922  | 22         |
| 1           | 929                 | 32   |      |            |
| 1           | 959                 | 82   |      |            |
| 2           | 92                  | 18   |      |            |
| 2           | 440A                | 24   |      |            |
| 2           | 555A                | 24   |      |            |
| 2           | 670A                | 24   |      |            |
| 5           | 31A                 | 12   |      |            |
| 5           | 40                  | 24   |      |            |
| 5           | 50A                 | 48   |      |            |
| 5           | 69N                 | 4    |      |            |
| 5           | 71A                 | 12   |      |            |
| 5           | 113A                | 48   |      |            |
| 5           | 575                 | 6    |      |            |
| 5           | 595                 | 24   |      |            |
| 5           | 667                 | 116  |      |            |
| 5           | 691                 | 54   |      |            |
| 5           | 717                 | 44   |      |            |

# 55-40-13

ILLUSTRATED PARTS LIST

01.1 Page 1042A

Nov 01/00



| PART NUMBER               | AIRLINE<br>PART NO. | FIG. | ITEM | TTL<br>REQ |
|---------------------------|---------------------|------|------|------------|
| RV541A3-2                 |                     | 5    | 743  | 40         |
|                           |                     | 5    | 756  | 38         |
|                           |                     | 5    | 773  | 36         |
|                           |                     | 5    | 799  | 28         |
|                           |                     | 5    | 815  | 522        |
|                           |                     | 5    | 901  | 38         |
|                           |                     | 5    | 915  | 38         |
|                           |                     | 5    | 922  | 22         |
|                           |                     | 5    | 929  | 32         |
|                           |                     | 5    | 959  | 82         |
|                           |                     | 6    | 54   | 12         |
|                           |                     | 6    | 87   | 24         |
|                           |                     | 6    | 96   | 48         |
|                           |                     | 6    | 114  | 4          |
|                           |                     | 6    | 120  | 12         |
|                           |                     | 6    | 168  | 48         |
|                           |                     | 6    | 231  | 6          |
|                           |                     | 6    | 261  | 24         |
|                           |                     | 6    | 335  | 116        |
|                           |                     | 6    | 371  | 54         |
|                           |                     | 6    | 407  | 44         |
|                           |                     | 6    | 443  | 40         |
|                           |                     | 6    | 479  | 38         |
|                           |                     | 6    | 514  | 36         |
|                           |                     | 6    | 550  | 28         |
|                           |                     | 6    | 583  | 522        |
|                           |                     | 6    | 730  | 38         |
|                           |                     | 6    | 757  | 38         |
|                           |                     | 6    | 784  | 22         |
|                           |                     | 6    | 811  | 32         |
|                           |                     | 6    | 847  | 84         |
|                           |                     | 7    | 660  | 18         |
|                           | RV541A3-3           |      | 1    | 114        |
|                           |                     | 1    | 262A | 8          |
|                           |                     | 2    | 88   | 60         |
|                           |                     | 5    | 114  | 6          |
|                           |                     | 6    | 171  | 6          |
| RV541A3-5<br>T8092C1032CD |                     | 7    | 332  | 8          |
|                           |                     | 1    | 50   | 48         |
|                           |                     | 1    | 32A  | 2          |
|                           |                     | 1    | 43B  | 10         |
|                           |                     | 1    | 112A | 27         |
|                           |                     | 1    | 261A | 4          |
|                           |                     | 1    | 483A | 9          |
|                           | 1                   | 573A | 1    |            |

# 55-40-13

 ILLUSTRATED PARTS LIST  
 01.1 Page 1042B  
 Nov 01/00


**BOEING**  
 COMPONENT  
 MAINTENANCE MANUAL

| PART NUMBER  | AIRLINE<br>PART NO. | FIG. | ITEM | TTL<br>REQ |
|--------------|---------------------|------|------|------------|
| T8092C1032CD |                     | 1    | 593A | 9          |
|              |                     | 1    | 663A | 58         |
|              |                     | 1    | 689A | 25         |
|              |                     | 1    | 715A | 19         |
|              |                     | 1    | 739A | 17         |
|              |                     | 1    | 754A | 16         |
|              |                     | 1    | 771A | 17         |
|              |                     | 1    | 795A | 11         |
|              |                     | 1    | 813A | 261        |
|              |                     | 1    | 899A | 18         |
|              |                     | 1    | 913A | 18         |
|              |                     | 1    | 921A | 10         |
|              |                     | 1    | 928A | 16         |
|              |                     | 1    | 957A | 41         |
|              |                     | 2    | 80A  | 34         |
|              |                     | 2    | 435A | 12         |
|              |                     | 2    | 550A | 12         |
|              |                     | 2    | 665A | 12         |
|              |                     | 5    | 32A  | 2          |
|              |                     | 5    | 43B  | 10         |
|              |                     | 5    | 112A | 27         |
|              |                     | 5    | 573A | 1          |
|              |                     | 5    | 593A | 9          |
|              |                     | 5    | 663A | 58         |
|              |                     | 5    | 689A | 25         |
|              |                     | 5    | 715A | 19         |
|              |                     | 5    | 739A | 17         |
|              |                     | 5    | 754A | 16         |
|              |                     | 5    | 771A | 17         |
|              |                     | 5    | 795A | 11         |
|              |                     | 5    | 813A | 261        |
|              |                     | 5    | 899A | 18         |
|              |                     | 5    | 913A | 18         |
|              |                     | 5    | 921A | 10         |
|              |                     | 5    | 928A | 16         |
|              |                     | 5    | 957A | 41         |
|              |                     | 6    | 57   | 2          |
|              |                     | 6    | 93   | 10         |
|              |                     | 6    | 174  | 27         |
|              |                     | 6    | 237  | 1          |
|              |                     | 6    | 267  | 9          |
|              |                     | 6    | 338  | 58         |
|              |                     | 6    | 377  | 25         |
|              |                     | 6    | 413  | 19         |
|              | 6                   | 446  | 17   |            |

# 55-40-13

 ILLUSTRATED PARTS LIST  
 01.1 Page 1042C  
 Nov 01/00

| PART NUMBER  | AIRLINE<br>PART NO. | FIG. | ITEM | TTL<br>REQ |    |
|--------------|---------------------|------|------|------------|----|
| T8092C1032CD |                     | 6    | 482  | 16         |    |
|              |                     | 6    | 520  | 17         |    |
|              |                     | 6    | 553  | 11         |    |
|              |                     | 6    | 586  | 261        |    |
|              |                     | 6    | 736  | 18         |    |
|              |                     | 6    | 763  | 18         |    |
|              |                     | 6    | 790  | 10         |    |
|              |                     | 6    | 814  | 16         |    |
|              |                     | 6    | 850  | 42         |    |
|              |                     | 7    | 336  | 4          |    |
|              |                     | 7    | 664  | 9          |    |
|              | T8092C428CD         |      | 1    | 52A        | 24 |
|              |                     |      | 1    | 72A        | 6  |
|              |                     | 5    | 72A  | 6          |    |
|              |                     | 6    | 123  | 6          |    |
| WC1318-4     |                     | 1    | 100G | 2          |    |
|              |                     | 5    | 100G | 2          |    |
| WC22-8-8     |                     | 1    | 284G | 16         |    |
| WC22-8-9     |                     | 1    | 284J | 24         |    |
| 102A9213-3-3 |                     | 1    | 35G  | 10         |    |
|              |                     | 5    | 35G  | 10         |    |
|              |                     | 6    | 66   | 10         |    |
| 102A9213-4-4 |                     | 1    | 52B  | 24         |    |
|              |                     | 5    | 52B  | 24         |    |
|              |                     | 6    | 99   | 24         |    |
| 102A9219-4-4 |                     | 1    | 52B  | 24         |    |
|              |                     | 5    | 52B  | 24         |    |
|              |                     | 6    | 99   | 24         |    |
| 102F9201-3   |                     | 1    | 32A  | 2          |    |
|              |                     | 1    | 43B  | 10         |    |
|              |                     | 1    | 112A | 27         |    |
|              |                     | 1    | 261A | 4          |    |
|              |                     | 1    | 483A | 9          |    |
|              |                     | 1    | 573A | 1          |    |
|              |                     | 1    | 593A | 9          |    |
|              |                     | 1    | 663A | 58         |    |
|              |                     | 1    | 689A | 25         |    |
|              |                     | 1    | 715A | 19         |    |
|              |                     | 1    | 739A | 17         |    |
|              |                     | 1    | 754A | 16         |    |
|              |                     | 1    | 771A | 17         |    |
|              | 1                   | 795A | 11   |            |    |
|              | 1                   | 813A | 261  |            |    |
|              | 1                   | 899A | 18   |            |    |

# 55-40-13

 ILLUSTRATED PARTS LIST  
 01.1 Page 1042D  
 Nov 01/00


**BOEING**  
 COMPONENT  
 MAINTENANCE MANUAL

| PART NUMBER | AIRLINE<br>PART NO. | FIG. | ITEM | TTL<br>REQ |
|-------------|---------------------|------|------|------------|
| 102F9201-3  |                     | 1    | 913A | 18         |
|             |                     | 1    | 921A | 10         |
|             |                     | 1    | 928A | 16         |
|             |                     | 1    | 957A | 41         |
|             |                     | 2    | 80A  | 34         |
|             |                     | 2    | 435A | 12         |
|             |                     | 2    | 550A | 12         |
|             |                     | 2    | 665A | 12         |
|             |                     | 5    | 32A  | 2          |
|             |                     | 5    | 43B  | 10         |
|             |                     | 5    | 112A | 27         |
|             |                     | 5    | 573A | 1          |
|             |                     | 5    | 593A | 9          |
|             |                     | 5    | 663A | 58         |
|             |                     | 5    | 689A | 25         |
|             |                     | 5    | 715A | 19         |
|             |                     | 5    | 739A | 17         |
|             |                     | 5    | 754A | 16         |
|             |                     | 5    | 771A | 17         |
|             |                     | 5    | 795A | 11         |
|             |                     | 5    | 813A | 261        |
|             |                     | 5    | 899A | 18         |
|             |                     | 5    | 913A | 18         |
|             |                     | 5    | 921A | 10         |
|             |                     | 5    | 928A | 16         |
|             |                     | 5    | 957A | 41         |
|             |                     | 6    | 57   | 2          |
|             |                     | 6    | 93   | 10         |
|             |                     | 6    | 174  | 27         |
|             |                     | 6    | 237  | 1          |
|             |                     | 6    | 267  | 9          |
|             |                     | 6    | 338  | 58         |
|             |                     | 6    | 377  | 25         |
|             |                     | 6    | 413  | 19         |
|             |                     | 6    | 446  | 17         |
|             |                     | 6    | 482  | 16         |
|             |                     | 6    | 520  | 17         |
|             |                     | 6    | 553  | 11         |
|             |                     | 6    | 586  | 261        |
|             |                     | 6    | 736  | 18         |
|             |                     | 6    | 763  | 18         |
|             |                     | 6    | 790  | 10         |
|             | 6                   | 814  | 16   |            |
|             | 6                   | 850  | 42   |            |
|             | 7                   | 336  | 4    |            |

# 55-40-13

 ILLUSTRATED PARTS LIST  
 01.1 Page 1042E  
 Nov 01/00

| PART NUMBER  | AIRLINE<br>PART NO. | FIG. | ITEM | TTL<br>REQ |
|--------------|---------------------|------|------|------------|
| 102F9201-3   |                     | 7    | 664  | 9          |
| 102F9201-4   |                     | 1    | 52A  | 24         |
|              |                     | 1    | 72A  | 6          |
|              |                     | 5    | 72A  | 6          |
|              |                     | 6    | 123  | 6          |
| 102F9206M2-3 |                     | 2    | 85   | 5          |
| 104F9213-4-4 |                     | 1    | 52C  | 24         |
|              |                     | 5    | 52C  | 24         |
|              |                     | 6    | 99A  | 24         |
| 173T2001-1   |                     | 1    | 38   | 1          |
| 173T2001-10  |                     | 1    | 1B   | RF         |
| 173T2001-11  |                     | 1    | 38C  | 1          |
| 173T2001-12  |                     | 1    | 38D  | 1          |
| 173T2001-16  |                     | 5    | 38   | 1          |
| 173T2001-19  |                     | 5    | 37K  | 1          |
|              |                     | 6    | 78   | 1          |
| 173T2001-2   |                     | 1    | 22   | 1          |
|              |                     | 5    | 22   | 1          |
|              |                     | 6    | 27   | 1          |
| 173T2001-20  |                     | 5    | 37M  | 1          |
|              |                     | 6    | 81   | 1          |
| 173T2001-21  |                     | 5    | 37A  | 1          |
|              |                     | 6    | 72   | 1          |
| 173T2001-22  |                     | 5    | 37C  | 1          |
|              |                     | 6    | 75   | 1          |
| 173T2001-23  |                     | 1    | 1D   | RF         |
|              |                     | 5    | 1A   | RF         |
| 173T2001-29  |                     | 1    | 1E   | RF         |
|              |                     | 6    | 1A   | RF         |
| 173T2001-3   |                     | 1    | 20   | 1          |
|              |                     | 5    | 20   | 1          |
|              |                     | 6    | 21   | 1          |

# 55-40-13

 ILLUSTRATED PARTS LIST  
 01.1 Page 1042F  
 Nov 01/00


**BOEING**  
 COMPONENT  
 MAINTENANCE MANUAL

| PART NUMBER   | AIRLINE<br>PART NO. | FIG. | ITEM | TTL<br>REQ |
|---------------|---------------------|------|------|------------|
| 173T2001-30   |                     | 6    | 84   | 1          |
| 173T2001-4    |                     | 1    | 1A   | RF         |
| 173T2001-5001 |                     | 1    | 3    | 1          |
| 173T2001-5002 |                     | 1    | 3A   | 1          |
| 173T2001-5003 |                     | 1    | 3B   | 1          |
| 173T2001-5004 |                     | 1    | 3D   | 1          |
| 173T2001-5005 |                     | 1    | 3E   | 1          |
| 173T2001-5006 |                     | 5    | 3    | 1          |
| 173T2001-5007 |                     | 5    | 3A   | 1          |
| 173T2001-5010 |                     | 5    | 3B   | 1          |
| 173T2001-6    |                     | 1    | 21A  | 1          |
|               |                     | 5    | 21A  | 1          |
|               |                     | 6    | 24   | 1          |
| 173T2001-7    |                     | 1    | 23A  | 2          |
|               |                     | 5    | 23A  | 2          |
|               |                     | 6    | 30   | 2          |
| 173T2001-8    |                     | 1    | 38A  | 1          |
| 173T2002-1    |                     | 1    | 4    | 1          |
|               |                     | 3    | 1    | RF         |
| 173T2002-2    |                     | 3    | 50   | 1          |
|               |                     | 4    | 60   | 1          |
| 173T2002-3    |                     | 3    | 5    | 1          |
| 173T2002-4    |                     | 4    | 5    | 1          |
| 173T2002-5    |                     | 1    | 4G   | 1          |
|               |                     | 4    | 1    | RF         |
| 173T2002-6    |                     | 4    | 1A   | RF         |
|               |                     | 5    | 4    | 1          |
|               |                     | 6    | 3    | 1          |
| 173T2003-1    |                     | 1    | 967  | 1          |
|               |                     | 5    | 967  | 1          |
|               |                     | 6    | 868  | 1          |
| 173T2003-2    |                     | 1    | 969  | 1          |
|               |                     | 5    | 969  | 1          |
|               |                     | 6    | 871  | 1          |

55-40-13

ILLUSTRATED PARTS LIST

01.1 Page 1042G

Nov 01/00

| PART NUMBER | AIRLINE<br>PART NO. | FIG. | ITEM | TTL<br>REQ |
|-------------|---------------------|------|------|------------|
| 173T2004-1  |                     | 1    | 963  | 1          |
| 173T2004-17 |                     | 1    | 627  | 1          |
|             |                     | 5    | 627  | 1          |
|             |                     | 6    | 270  | 1          |
| 173T2004-18 |                     | 1    | 629  | 1          |
|             |                     | 5    | 629  | 1          |
|             |                     | 6    | 273  | 1          |
| 173T2004-19 |                     | 5    | 963  | 1          |
|             |                     | 6    | 862  | 1          |
| 173T2004-2  |                     | 1    | 965  | 1          |
| 173T2004-20 |                     | 5    | 965  | 1          |
|             |                     | 6    | 865  | 1          |
| 173T2004-3  |                     | 1    | 947  | 1          |
|             |                     | 5    | 947  | 1          |
|             |                     | 6    | 832  | 1          |
| 173T2004-4  |                     | 1    | 949  | 1          |
|             |                     | 5    | 949  | 1          |
|             |                     | 6    | 835  | 1          |
| 173T2005-1  |                     | 1    | 801  | 1          |
|             |                     | 5    | 801  | 1          |
|             |                     | 6    | 559  | 1          |
| 173T2006-1  |                     | 1    | 123  | 1          |
| 173T2006-3  |                     | 5    | 123  | 1          |
|             |                     | 7    | 1A   | 1          |
| 173T2006-4  |                     | 6    | 195  | 1          |
|             |                     | 7    | 1B   | 1          |
| 173T2007-1  |                     | 1    | 117  | 1          |
|             |                     | 2    | 1    | RF         |
| 173T2007-3  |                     | 1    | 117A | 1          |
|             |                     | 2    | 1A   | RF         |
| 173T2007-5  |                     | 1    | 117B | 1          |
|             |                     | 2    | 1B   | RF         |
|             |                     | 5    | 117B | 1          |
|             |                     | 6    | 180  | 1          |
| 173T2008-1  |                     | 2    | 925  | 1          |

# 55-40-13

 ILLUSTRATED PARTS LIST  
 01.1 Page 1042H  
 Nov 01/00


**BOEING**  
 COMPONENT  
 MAINTENANCE MANUAL

| PART NUMBER | AIRLINE<br>PART NO. | FIG. | ITEM | TTL<br>REQ |
|-------------|---------------------|------|------|------------|
| 173T2008-12 |                     | 2    | 755A | 1          |
| 173T2008-2  |                     | 2    | 850  | 1          |
| 173T2008-3  |                     | 2    | 795  | 1          |
| 173T2008-4  |                     | 2    | 755  | 1          |
| 173T2008-5  |                     | 2    | 905  | 2          |
| 173T2008-7  |                     | 2    | 830  | 2          |
| 173T2009-1  |                     | 2    | 720  | 1          |
| 173T2009-10 |                     | 2    | 495  | 1          |
| 173T2009-11 |                     | 2    | 410  | 1          |
| 173T2009-13 |                     | 2    | 675  | 1          |
| 173T2009-14 |                     | 2    | 680  | 1          |
| 173T2009-15 |                     | 2    | 560  | 1          |
| 173T2009-16 |                     | 2    | 565  | 1          |
| 173T2009-17 |                     | 2    | 445  | 1          |
| 173T2009-18 |                     | 2    | 450  | 1          |
| 173T2009-19 |                     | 2    | 490A | 1          |
| 173T2009-2  |                     | 2    | 725  | 1          |
| 173T2009-3  |                     | 2    | 640  | 1          |
| 173T2009-5  |                     | 2    | 605  | 1          |
| 173T2009-6  |                     | 2    | 610  | 1          |
| 173T2009-7  |                     | 2    | 525  | 1          |
| 173T2009-9  |                     | 2    | 490  | 1          |
| 173T2010-1  |                     | 2    | 335  | 1          |
| 173T2010-11 |                     | 2    | 295  | 1          |
| 173T2010-3  |                     | 2    | 200  | 1          |
| 173T2010-5  |                     | 2    | 390  | 2          |
| 173T2010-7  |                     | 2    | 275  | 2          |
| 173T2010-9  |                     | 2    | 180  | 2          |
| 173T2011-1  |                     | 2    | 120  | 1          |
| 173T2011-3  |                     | 2    | 5    | 1          |
| 173T2011-7  |                     | 2    | 100  | 2          |
| 173T2013-1  |                     | 1    | 577  | 1          |
| 173T2013-1  |                     | 5    | 577  | 1          |
|             |                     | 6    | 238  | 1          |
| 173T2013-2  |                     | 1    | 579  | 1          |
|             |                     | 5    | 579  | 1          |
|             |                     | 6    | 239  | 1          |
| 173T2013-3  |                     | 1    | 553  | 2          |
|             |                     | 5    | 553  | 2          |
|             |                     | 6    | 204  | 2          |
| 173T2013-4  |                     | 1    | 559  | 2          |
|             |                     | 5    | 559  | 2          |
|             |                     | 6    | 225  | 2          |

55-40-13

ILLUSTRATED PARTS LIST

01.1 Page 1042I

Nov 01/00



| PART NUMBER | AIRLINE<br>PART NO. | FIG. | ITEM | TTL<br>REQ |
|-------------|---------------------|------|------|------------|
| 173T2013-5  |                     | 1    | 479  | 3          |
|             |                     | 7    | 656  | 3          |
| 173T2014-1  |                     | 1    | 107  | 3          |
|             |                     | 5    | 107  | 3          |
|             |                     | 6    | 153  | 3          |
| 173T2014-2  |                     | 1    | 115  | 3          |
|             |                     | 5    | 115  | 3          |
|             |                     | 6    | 177  | 3          |
| 173T2014-3  |                     | 1    | 109A | 3          |
|             |                     | 5    | 109A | 3          |
|             |                     | 6    | 159  | 3          |
| 173T2015-1  |                     | 1    | 887  | 1          |
|             |                     | 5    | 887  | 1          |
|             |                     | 6    | 694  | 1          |
| 173T2016-1  |                     | 1    | 551  | 1          |
|             |                     | 7    | 796  | 1          |
| 173T2017-1  |                     | 1    | 332A | 1          |
|             |                     | 7    | 436  | 1          |
| 173T2017-2  |                     | 1    | 352A | 1          |
|             |                     | 7    | 480  | 1          |
| 173T2017-3  |                     | 1    | 331A | 1          |
|             |                     | 7    | 432  | 1          |
| 173T2017-4  |                     | 1    | 351A | 1          |
|             |                     | 7    | 476  | 1          |
| 173T2017-5  |                     | 1    | 332  | 1          |
|             |                     | 7    | 436A | 1          |
| 173T2017-6  |                     | 1    | 352  | 1          |
|             |                     | 7    | 480A | 1          |
| 173T2017-7  |                     | 1    | 331  | 1          |
|             |                     | 7    | 432A | 1          |
| 173T2017-8  |                     | 1    | 351  | 1          |
|             |                     | 7    | 476A | 1          |
| 173T2019-1  |                     | 1    | 285A | 1          |
|             |                     | 7    | 384  | 1          |

# 55-40-13

 ILLUSTRATED PARTS LIST  
 01.1 Page 1042J  
 Nov 01/00


**BOEING**  
 COMPONENT  
 MAINTENANCE MANUAL

| PART NUMBER | AIRLINE<br>PART NO. | FIG. | ITEM | TTL<br>REQ |
|-------------|---------------------|------|------|------------|
| 173T2019-2  |                     | 1    | 307A | 1          |
|             |                     | 7    | 428  | 1          |
| 173T2019-3  |                     | 1    | 285  | 1          |
|             |                     | 7    | 384A | 1          |
| 173T2019-4  |                     | 1    | 307  | 1          |
|             |                     | 7    | 428A | 1          |
| 173T2023-1  |                     | 1    | 353A | 1          |
|             |                     | 7    | 484  | 1          |
| 173T2023-2  |                     | 1    | 373A | 1          |
|             |                     | 7    | 520  | 1          |
| 173T2023-3  |                     | 1    | 397A | 1          |
|             |                     | 7    | 524  | 1          |
| 173T2023-4  |                     | 1    | 418A | 1          |
|             |                     | 7    | 572  | 1          |
| 173T2023-5  |                     | 1    | 353  | 1          |
|             |                     | 7    | 484A | 1          |
| 173T2023-6  |                     | 1    | 373  | 1          |
|             |                     | 7    | 520A | 1          |
| 173T2023-7  |                     | 1    | 397  | 1          |
|             |                     | 7    | 524A | 1          |
| 173T2023-8  |                     | 1    | 418  | 1          |
|             |                     | 7    | 572A | 1          |
| 173T2025-1  |                     | 1    | 125  | 1          |
|             |                     | 7    | 12   | 1          |
| 173T2025-10 |                     | 1    | 179  | 1          |
|             |                     | 7    | 96   | 1          |
| 173T2025-11 |                     | 1    | 185  | 1          |
|             |                     | 7    | 108  | 1          |
| 173T2025-12 |                     | 1    | 191  | 1          |
|             |                     | 7    | 120  | 1          |
| 173T2025-13 |                     | 1    | 195  | 1          |
|             |                     | 7    | 136  | 1          |
| 173T2025-14 |                     | 1    | 194  | 1          |
|             |                     | 7    | 132  | 1          |
| 173T2025-15 |                     | 1    | 817  | 1          |
|             |                     | 5    | 817  | 1          |
|             |                     | 6    | 598  | 1          |

55-40-13

 ILLUSTRATED PARTS LIST  
 01.1 Page 1042K  
 Nov 01/00

| PART NUMBER | AIRLINE<br>PART NO. | FIG. | ITEM | TTL<br>REQ |
|-------------|---------------------|------|------|------------|
| 173T2025-16 |                     | 1    | 825  | 1          |
|             |                     | 5    | 825  | 1          |
|             |                     | 6    | 607  | 1          |
| 173T2025-17 |                     | 1    | 831  | 1          |
|             |                     | 5    | 831  | 1          |
|             |                     | 6    | 619  | 1          |
| 173T2025-18 |                     | 1    | 833  | 1          |
|             |                     | 5    | 833  | 1          |
|             |                     | 6    | 622  | 1          |
| 173T2025-19 |                     | 1    | 841  | 1          |
|             |                     | 5    | 841  | 1          |
|             |                     | 6    | 631  | 1          |
| 173T2025-2  |                     | 1    | 131  | 1          |
|             |                     | 7    | 24   | 1          |
|             |                     | 1    | 847  | 1          |
| 173T2025-20 |                     | 5    | 847  | 1          |
|             |                     | 6    | 643  | 1          |
|             |                     | 1    | 849  | 1          |
| 173T2025-21 |                     | 5    | 849  | 1          |
|             |                     | 6    | 646  | 1          |
|             |                     | 1    | 857  | 1          |
| 173T2025-22 |                     | 5    | 857  | 1          |
|             |                     | 6    | 658  | 1          |
|             |                     | 1    | 859  | 1          |
| 173T2025-23 |                     | 5    | 859  | 1          |
|             |                     | 6    | 661  | 1          |
|             |                     | 1    | 867  | 1          |
| 173T2025-24 |                     | 5    | 867  | 1          |
|             |                     | 6    | 673  | 1          |
|             |                     | 1    | 869  | 1          |
| 173T2025-25 |                     | 5    | 869  | 1          |
|             |                     | 6    | 676  | 1          |
|             |                     | 1    | 877  | 1          |
| 173T2025-26 |                     | 5    | 877  | 1          |
|             |                     | 6    | 685  | 1          |

# 55-40-13

 ILLUSTRATED PARTS LIST  
 01.1 Page 1042L  
 Nov 01/00


**BOEING**  
 COMPONENT  
 MAINTENANCE MANUAL

| PART NUMBER | AIRLINE<br>PART NO. | FIG. | ITEM | TTL<br>REQ |
|-------------|---------------------|------|------|------------|
| 173T2025-27 |                     | 1    | 889  | 1          |
|             |                     | 5    | 889  | 1          |
|             |                     | 6    | 706  | 1          |
| 173T2025-28 |                     | 1    | 198  | 1          |
|             |                     | 7    | 160  | 1          |
| 173T2025-29 |                     | 1    | 199  | 1          |
|             |                     | 7    | 164  | 1          |
| 173T2025-3  |                     | 1    | 137  | 1          |
|             |                     | 7    | 36   | 1          |
| 173T2025-30 |                     | 1    | 203  | 1          |
|             |                     | 7    | 188  | 1          |
| 173T2025-31 |                     | 1    | 204  | 1          |
|             |                     | 7    | 192  | 1          |
| 173T2025-32 |                     | 2    | 95   | 1          |
| 173T2025-4  |                     | 1    | 143  | 6          |
|             |                     | 7    | 48   | 6          |
| 173T2025-5  |                     | 1    | 149  | 1          |
|             |                     | 7    | 60   | 1          |
| 173T2025-7  |                     | 1    | 161  | 1          |
|             |                     | 7    | 72   | 1          |
| 173T2025-9  |                     | 1    | 173  | 1          |
|             |                     | 7    | 84   | 1          |
| 173T2026-1  |                     | 1    | 635  | 1          |
|             |                     | 5    | 635  | 1          |
|             |                     | 6    | 282  | 1          |
| 173T2026-11 |                     | 1    | 659A | 1          |
|             |                     | 5    | 659  | 1          |
|             |                     | 6    | 329  | 1          |
| 173T2026-2  |                     | 1    | 661  | 1          |
|             |                     | 5    | 661  | 1          |
|             |                     | 6    | 332  | 1          |
| 173T2026-3  |                     | 1    | 659  | 1          |
| 173T2026-4  |                     | 1    | 647  | 1          |
|             |                     | 5    | 647  | 1          |
|             |                     | 6    | 311  | 1          |
| 173T2026-5  |                     | 1    | 653  | 1          |
|             |                     | 5    | 653  | 1          |
|             |                     | 6    | 326  | 1          |
| 173T2027-1  |                     | 1    | 669  | 1          |
|             |                     | 5    | 669  | 1          |
|             |                     | 6    | 344  | 1          |

55-40-13

 ILLUSTRATED PARTS LIST  
 01.1 Page 1042M  
 Nov 01/00

| PART NUMBER | AIRLINE<br>PART NO. | FIG. | ITEM | TTL<br>REQ |
|-------------|---------------------|------|------|------------|
| 173T2028-1  |                     | 1    | 693  | 1          |
|             |                     | 5    | 693  | 1          |
|             |                     | 6    | 380  | 1          |
| 173T2028-2  |                     | 1    | 894  | 1          |
|             |                     | 5    | 894  | 1          |
|             |                     | 6    | 712  | 1          |
| 173T2029-1  |                     | 1    | 719  | 1          |
|             |                     | 5    | 719  | 1          |
|             |                     | 6    | 416  | 1          |
| 173T2030-1  |                     | 1    | 745  | 1          |
|             |                     | 5    | 745  | 1          |
|             |                     | 6    | 452  | 1          |
| 173T2030-2  |                     | 1    | 903  | 1          |
|             |                     | 5    | 903  | 1          |
|             |                     | 6    | 739  | 1          |
| 173T2031-1  |                     | 1    | 757  | 1          |
|             |                     | 5    | 757  | 1          |
|             |                     | 6    | 488  | 1          |
| 173T2031-2  |                     | 1    | 923  | 1          |
|             |                     | 5    | 923  | 1          |
|             |                     | 6    | 793  | 1          |
| 173T2032-1  |                     | 1    | 779  | 1          |
|             |                     | 5    | 779  | 1          |
|             |                     | 6    | 523  | 1          |
| 173T2032-2  |                     | 1    | 916  | 1          |
|             |                     | 5    | 916  | 1          |
|             |                     | 6    | 766  | 1          |
| 173T2033-1  |                     | 1    | 60   | 1          |
|             |                     | 5    | 60A  | 1          |
|             |                     | 6    | 102  | 1          |
| 173T2033-3  |                     | 1    | 301  | 1          |
|             |                     | 1    | 345  | 2          |
|             |                     | 7    | 416  | 1          |
| 173T2038-1  |                     | 7    | 464  | 2          |
|             |                     | 1    | 225  | 1          |
|             |                     | 1    | 239  | 1          |
| 173T2038-2  |                     | 1    | 427  | 2          |
|             |                     | 7    | 232  | 1          |
|             |                     | 7    | 260  | 1          |
| 173T2038-3  |                     | 7    | 600  | 2          |
|             |                     | 1    | 415  | 1          |
|             |                     | 7    | 564  | 1          |
| 173T2038-4  |                     | 1    | 417  | 1          |
|             |                     | 7    | 568  | 1          |
|             |                     | 1    | 413  | 1          |
| 173T2038-5  |                     | 1    | 413  | 1          |
|             |                     | 7    | 560  | 1          |

**55-40-13**

 ILLUSTRATED PARTS LIST  
 01.1 Page 1042N  
 Nov 01/00


**BOEING**  
 COMPONENT  
 MAINTENANCE MANUAL

| PART NUMBER | AIRLINE<br>PART NO. | FIG. | ITEM | TTL<br>REQ |
|-------------|---------------------|------|------|------------|
| 173T2038-6  |                     | 1    | 279  | 2          |
|             |                     | 7    | 368  | 2          |
| 173T2038-7  |                     | 1    | 473  | 1          |
|             |                     | 7    | 640  | 1          |
| 173T2039-1  |                     | 1    | 208A | 1          |
|             |                     | 7    | 196  | 1          |
| 173T2039-2  |                     | 1    | 229A | 1          |
|             |                     | 7    | 240  | 1          |
| 173T2039-3  |                     | 1    | 231A | 1          |
|             |                     | 7    | 244  | 1          |
| 173T2039-4  |                     | 1    | 243A | 1          |
|             |                     | 7    | 268  | 1          |
| 173T2039-5  |                     | 1    | 208  | 1          |
|             |                     | 7    | 196A | 1          |
| 173T2039-6  |                     | 1    | 229  | 1          |
|             |                     | 7    | 240A | 1          |
| 173T2039-7  |                     | 1    | 231  | 1          |
|             |                     | 7    | 244A | 1          |
| 173T2039-8  |                     | 1    | 243  | 1          |
|             |                     | 7    | 268A | 1          |
| 173T2041-1  |                     | 1    | 263A | 1          |
|             |                     | 7    | 340  | 1          |
| 173T2041-11 |                     | 1    | 284P | 40         |
| 173T2041-12 |                     | 1    | 282A | 1          |
| 173T2041-13 |                     | 1    | 282C | 1          |
| 173T2041-14 |                     | 1    | 282  | 1          |
| 173T2041-15 |                     | 1    | 282B | 1          |
| 173T2041-16 |                     | 1    | 281H | 1          |
|             |                     | 7    | 376  | 1          |
| 173T2041-17 |                     | 1    | 281K | 1          |
|             |                     | 7    | 380  | 1          |
| 173T2041-18 |                     | 1    | 281G | 1          |
|             |                     | 7    | 376A | 1          |
| 173T2041-19 |                     | 1    | 281J | 1          |
|             |                     | 7    | 380A | 1          |
| 173T2041-2  |                     | 1    | 283A | 1          |
| 173T2041-20 |                     | 1    | 284S | 4          |
| 173T2041-21 |                     | 1    | 284V | 4          |
| 173T2041-22 |                     | 7    | 340B | 1          |
| 173T2041-23 |                     | 7    | 344B | 1          |
| 173T2041-3  |                     | 1    | 264A | 1          |
|             |                     | 7    | 344  | 1          |
| 173T2041-4  |                     | 1    | 284A | 1          |
| 173T2041-5  |                     | 1    | 263  | 1          |
|             |                     | 7    | 340A | 1          |

55-40-13

 ILLUSTRATED PARTS LIST  
 01.1 Page 10420  
 Nov 01/00

| PART NUMBER | AIRLINE<br>PART NO. | FIG. | ITEM | TTL<br>REQ |
|-------------|---------------------|------|------|------------|
| 173T2041-6  |                     | 1    | 283  | 1          |
| 173T2041-7  |                     | 1    | 264  | 1          |
|             |                     | 7    | 344A | 1          |
| 173T2041-8  |                     | 1    | 284  | 1          |
| 173T2043-1  |                     | 1    | 419A | 1          |
|             |                     | 7    | 576  | 1          |
| 173T2043-2  |                     | 1    | 431A | 1          |
|             |                     | 7    | 608  | 1          |
| 173T2043-3  |                     | 1    | 419  | 1          |
|             |                     | 7    | 576A | 1          |
| 173T2043-4  |                     | 1    | 431  | 1          |
|             |                     | 7    | 608A | 1          |
| 173T2045-1  |                     | 1    | 420A | 1          |
|             |                     | 7    | 580  | 1          |
| 173T2045-2  |                     | 1    | 432A | 1          |
|             |                     | 7    | 612  | 1          |
| 173T2045-3  |                     | 1    | 420  | 1          |
|             |                     | 7    | 580A | 1          |
| 173T2045-4  |                     | 1    | 432  | 1          |
|             |                     | 7    | 612A | 1          |
| 173T2046-1  |                     | 1    | 461A | 1          |
|             |                     | 7    | 616  | 1          |
| 173T2046-2  |                     | 1    | 477A | 1          |
|             |                     | 7    | 648  | 1          |
| 173T2046-3  |                     | 1    | 461  | 1          |
|             |                     | 7    | 616A | 1          |
| 173T2046-4  |                     | 1    | 477  | 1          |
|             |                     | 7    | 648A | 1          |
| 173T2048-3  |                     | 1    | 36G  | 1          |
|             |                     | 5    | 36G  | 1          |
|             |                     | 6    | 69   | 1          |

# 55-40-13

 ILLUSTRATED PARTS LIST  
 01.1 Page 1042P  
 Nov 01/00


**BOEING**  
 COMPONENT  
 MAINTENANCE MANUAL

| PART NUMBER | AIRLINE<br>PART NO. | FIG. | ITEM | TTL<br>REQ |
|-------------|---------------------|------|------|------------|
| 173T2048-5  |                     | 1    | 26G  | 1          |
|             |                     | 5    | 26G  | 1          |
|             |                     | 6    | 39   | 1          |
| 173T2050-1  |                     | 1    | 933  | 1          |
|             |                     | 5    | 933  | 1          |
|             |                     | 6    | 823  | 1          |
| 173T2050-2  |                     | 1    | 935  | 1          |
|             |                     | 5    | 935  | 1          |
|             |                     | 6    | 826  | 1          |
| 173T2051-1  |                     | 1    | 937  | 1          |
|             |                     | 5    | 937  | 1          |
|             |                     | 6    | 829  | 1          |
| 173T2052-2  |                     | 3    | 80   | 1          |
|             |                     | 4    | 75   | 1          |
| 173T2052-4  |                     | 3    | 70   | 1          |
|             |                     | 4    | 70   | 1          |
| 173T2052-5  |                     | 3    | 75A  | 1          |
|             |                     | 4    | 65   | 1          |
| 173T2053-1  |                     | 1    | 521  | 1          |
|             |                     | 7    | 728  | 1          |
| 173T2053-10 |                     | 1    | 367  | 2          |
|             |                     | 1    | 408  | 2          |
|             |                     | 7    | 508  | 2          |
|             |                     | 7    | 548  | 2          |
| 173T2053-11 |                     | 2    | 945  | 1          |
| 173T2053-12 |                     | 2    | 950  | 1          |
| 173T2053-13 |                     | 2    | 885  | 1          |
| 173T2053-14 |                     | 2    | 890  | 1          |
| 173T2053-15 |                     | 2    | 865  | 1          |
| 173T2053-16 |                     | 2    | 870  | 1          |
| 173T2053-17 |                     | 2    | 810  | 1          |
| 173T2053-18 |                     | 2    | 815  | 1          |
| 173T2053-19 |                     | 2    | 370  | 1          |
| 173T2053-2  |                     | 1    | 523  | 1          |
|             |                     | 7    | 732  | 1          |

55-40-13

 ILLUSTRATED PARTS LIST  
 01.1 Page 1042Q  
 Nov 01/00



| PART NUMBER | AIRLINE<br>PART NO. | FIG. | ITEM | TTL<br>REQ |
|-------------|---------------------|------|------|------------|
| 173T2053-20 |                     | 2    | 375  | 1          |
| 173T2053-21 |                     | 2    | 350  | 1          |
| 173T2053-22 |                     | 2    | 355  | 1          |
| 173T2053-23 |                     | 2    | 265  | 1          |
| 173T2053-24 |                     | 2    | 270  | 1          |
| 173T2053-25 |                     | 2    | 235  | 2          |
| 173T2053-26 |                     | 2    | 165  | 2          |
| 173T2053-28 |                     | 2    | 60   | 2          |
| 173T2053-29 |                     | 2    | 40   | 2          |
| 173T2053-3  |                     | 1    | 534  | 1          |
|             |                     | 7    | 744  | 1          |
| 173T2053-30 |                     | 2    | 475  | 2          |
|             |                     | 2    | 590  | 2          |
|             |                     | 2    | 705  | 2          |
| 173T2053-31 |                     | 2    | 320  | 2          |
|             |                     | 2    | 780  | 2          |
| 173T2053-32 |                     | 2    | 330  | 2          |
| 173T2053-33 |                     | 2    | 790  | 2          |
| 173T2053-34 |                     | 2    | 485  | 2          |
|             |                     | 2    | 600  | 2          |
|             |                     | 2    | 715  | 2          |
| 173T2053-35 |                     | 1    | 495  | 2          |
|             |                     | 7    | 688  | 2          |
| 173T2053-36 |                     | 1    | 505  | 2          |
|             |                     | 7    | 708  | 2          |
| 173T2053-37 |                     | 2    | 325  | 2          |
|             |                     | 2    | 480  | 2          |
|             |                     | 2    | 595  | 2          |
|             |                     | 2    | 710  | 2          |
|             |                     | 2    | 785  | 2          |
| 173T2053-38 |                     | 2    | 250  | 2          |
| 173T2053-39 |                     | 1    | 809  | 4          |
|             |                     | 5    | 809  | 4          |
|             |                     | 6    | 577  | 4          |
| 173T2053-4  |                     | 1    | 535  | 1          |
|             |                     | 7    | 748  | 1          |

# 55-40-13

 ILLUSTRATED PARTS LIST  
 01.1 Page 1042R  
 Nov 01/00


**BOEING**  
 COMPONENT  
 MAINTENANCE MANUAL

| PART NUMBER | AIRLINE<br>PART NO. | FIG. | ITEM | TTL<br>REQ |
|-------------|---------------------|------|------|------------|
| 173T2053-40 |                     | 1    | 811  | 4          |
|             |                     | 5    | 811  | 4          |
|             |                     | 6    | 580  | 4          |
| 173T2053-41 |                     | 1    | 589  | 6          |
|             |                     | 5    | 589  | 6          |
|             |                     | 6    | 258  | 6          |
| 173T2053-42 |                     | 1    | 683  | 2          |
|             |                     | 1    | 711  | 2          |
|             |                     | 1    | 737  | 2          |
|             |                     | 1    | 753  | 2          |
|             |                     | 1    | 768  | 2          |
|             |                     | 1    | 793  | 2          |
|             |                     | 5    | 683  | 2          |
|             |                     | 5    | 711  | 2          |
|             |                     | 5    | 737  | 2          |
|             |                     | 5    | 753  | 2          |
|             |                     | 5    | 768  | 2          |
|             |                     | 5    | 793  | 2          |
|             |                     | 6    | 368  | 2          |
|             |                     | 6    | 404  | 2          |
|             |                     | 6    | 440  | 2          |
| 6           | 476                 | 2    |      |            |
| 6           | 511                 | 2    |      |            |
| 6           | 547                 | 2    |      |            |
| 173T2053-43 |                     | 1    | 569  | 2          |
|             |                     | 5    | 569  | 2          |
|             |                     | 6    | 228  | 2          |
| 173T2053-44 |                     | 2    | 55   | 2          |
| 173T2053-45 |                     | 2    | 510  | 2          |
|             |                     | 2    | 625  | 2          |
|             |                     | 2    | 740  | 2          |
| 173T2053-46 |                     | 1    | 668  | 1          |
|             |                     | 5    | 668  | 1          |
|             |                     | 6    | 341  | 1          |
| 173T2053-47 |                     | 1    | 962  | 1          |
|             |                     | 5    | 962  | 1          |
|             |                     | 6    | 859  | 1          |
| 173T2053-48 |                     | 2    | 75   | 2          |
| 173T2053-49 |                     | 2    | 30   | 1          |
| 173T2053-5  |                     | 1    | 511  | 2          |
|             |                     | 7    | 712  | 2          |
| 173T2053-50 |                     | 2    | 35   | 1          |
| 173T2053-51 |                     | 2    | 955  | 2          |
| 173T2053-52 |                     | 2    | 960  | 2          |
| 173T2053-53 |                     | 2    | 895  | 2          |
| 173T2053-54 |                     | 2    | 900  | 2          |
| 173T2053-55 |                     | 2    | 875  | 2          |

# 55-40-13

 ILLUSTRATED PARTS LIST  
 01.1 Page 1042S  
 Nov 01/00

| PART NUMBER | AIRLINE<br>PART NO. | FIG. | ITEM | TTL<br>REQ |
|-------------|---------------------|------|------|------------|
| 173T2053-56 |                     | 2    | 880  | 2          |
| 173T2053-57 |                     | 2    | 820  | 2          |
| 173T2053-58 |                     | 2    | 825  | 2          |
| 173T2053-59 |                     | 2    | 380  | 2          |
| 173T2053-60 |                     | 2    | 385  | 2          |
| 173T2053-61 |                     | 2    | 360  | 2          |
| 173T2053-62 |                     | 2    | 365  | 2          |
| 173T2053-63 |                     | 2    | 240  | 2          |
| 173T2053-64 |                     | 2    | 245  | 2          |
| 173T2053-65 |                     | 2    | 170  | 2          |
| 173T2053-66 |                     | 2    | 175  | 2          |
| 173T2053-67 |                     | 2    | 65   | 2          |
| 173T2053-68 |                     | 2    | 70   | 2          |
| 173T2053-69 |                     | 2    | 45   | 2          |
| 173T2053-7  |                     | 1    | 487  | 2          |
|             |                     | 7    | 676  | 2          |
| 173T2053-70 |                     | 2    | 50   | 2          |
| 173T2053-71 |                     | 2    | 420  | 2          |
|             |                     | 2    | 535  | 2          |
|             |                     | 2    | 650  | 2          |
| 173T2053-72 |                     | 2    | 425  | 2          |
|             |                     | 2    | 540  | 2          |
|             |                     | 2    | 655  | 2          |
| 173T2053-73 |                     | 2    | 430  | 2          |
|             |                     | 2    | 545  | 2          |
|             |                     | 2    | 660  | 2          |
| 173T2053-74 |                     | 2    | 255  | 2          |
| 173T2053-75 |                     | 2    | 260  | 2          |
| 173T2053-76 |                     | 1    | 892  | 2          |
|             |                     | 5    | 892  | 2          |
|             |                     | 6    | 703  | 2          |
| 173T2053-78 |                     | 2    | 515  | 2          |
|             |                     | 2    | 630  | 2          |
|             |                     | 2    | 745  | 2          |
| 173T2053-79 |                     | 2    | 520  | 2          |
|             |                     | 2    | 635  | 2          |
|             |                     | 2    | 750  | 2          |
| 173T2053-8  |                     | 1    | 223  | 2          |
|             |                     | 1    | 237  | 2          |
|             |                     | 1    | 275  | 4          |
|             |                     | 1    | 425  | 4          |
|             |                     | 1    | 471  | 2          |
|             |                     | 7    | 228  | 2          |
|             |                     | 7    | 256  | 2          |
|             |                     | 7    | 364  | 4          |
|             |                     | 7    | 596  | 4          |
|             |                     | 7    | 636  | 2          |

# 55-40-13

 ILLUSTRATED PARTS LIST  
 01.1 Page 1042T  
 Nov 01/00


**BOEING**  
 COMPONENT  
 MAINTENANCE MANUAL

| PART NUMBER | AIRLINE<br>PART NO. | FIG. | ITEM | TTL<br>REQ |
|-------------|---------------------|------|------|------------|
| 173T2053-81 |                     | 2    | 160A | 1          |
| 173T2053-82 |                     | 2    | 162  | 1          |
| 173T2053-9  |                     | 1    | 299  | 2          |
|             |                     | 1    | 343  | 4          |
|             |                     | 7    | 412  | 2          |
|             |                     | 7    | 460  | 4          |
| 173T2054-2  |                     | 1    | 244  | 4          |
|             |                     | 7    | 272  | 4          |
| 173T2054-3  |                     | 1    | 245  | 4          |
|             |                     | 7    | 276  | 4          |
| 173T2055-2  |                     | 1    | 79   | 1          |
| 173T2055-5  |                     | 1    | 90   | 1          |
|             |                     | 5    | 90   | 1          |
|             |                     | 6    | 147  | 1          |
| 173T2055-6  |                     | 1    | 92   | 1          |
|             |                     | 5    | 92   | 1          |
|             |                     | 6    | 150  | 1          |
| 173T2055-7  |                     | 1    | 75   | 1          |
| 173T2055-8  |                     | 1    | 88G  | 1          |
|             |                     | 5    | 88G  | 1          |
|             |                     | 6    | 126  | 1          |
| 173T2056-1  |                     | 1    | 546  | 2          |
|             |                     | 7    | 784  | 2          |
| 173T2057-1  |                     | 1    | 24   | 1          |
|             |                     | 5    | 24   | 1          |
|             |                     | 6    | 33   | 1          |
| 173T2057-2  |                     | 1    | 25   | 2          |
|             |                     | 5    | 25   | 2          |
|             |                     | 6    | 36   | 2          |
| 173T2091-1  |                     | 1    | 4    | 1          |
|             |                     | 1    | 60   | 1          |
|             |                     | 1    | 75   | 1          |
|             |                     | 1    | 88A  | 1          |
|             |                     | 3    | 1    | RF         |
| 173T2091-1  |                     | 3    | 5    | 1          |
|             |                     | 3    | 75B  | 1          |
| 173T2091-2  |                     | 1    | 88A  | 1          |
| 173T2092-1  |                     | 3    | 75B  | 1          |
| 251T3445-5  |                     | 1    | 257  | 1          |
|             |                     | 7    | 312  | 1          |
| 251T3445-6  |                     | 1    | 260  | 1          |
|             |                     | 7    | 328  | 1          |
| 251T3445-7  |                     | 1    | 260A | 1          |
|             |                     | 7    | 328A | 1          |
| 3LFS428     |                     | 1    | 259  | 1          |
|             |                     | 7    | 324  | 1          |

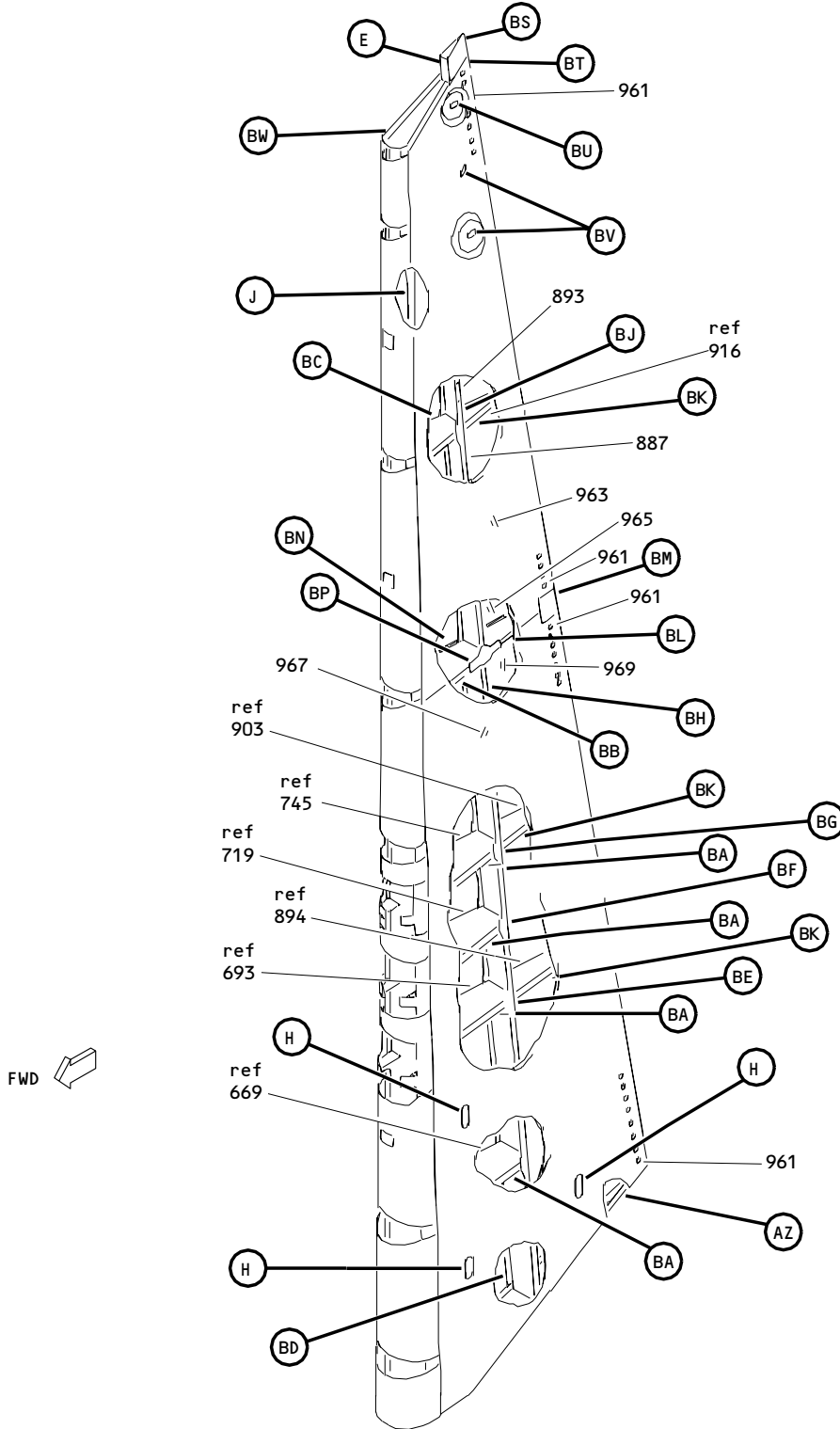
55-40-13

 ILLUSTRATED PARTS LIST  
 01.1 Page 1042U  
 Nov 01/00

| PART NUMBER                        | AIRLINE<br>PART NO. | FIG. | ITEM | TTL<br>REQ |
|------------------------------------|---------------------|------|------|------------|
| 62550-8-8<br>62550-8-9<br>66014-10 |                     | 1    | 284G | 16         |
|                                    |                     | 1    | 284J | 24         |
|                                    |                     | 1    | 219  | 6          |
|                                    |                     | 1    | 235  | 6          |
|                                    |                     | 1    | 271  | 12         |
|                                    |                     | 1    | 295  | 10         |
|                                    |                     | 1    | 339  | 20         |
|                                    |                     | 1    | 363  | 6          |
|                                    |                     | 1    | 406  | 6          |
|                                    |                     | 1    | 423  | 12         |
|                                    |                     | 1    | 467  | 6          |
|                                    |                     | 7    | 220  | 6          |
|                                    |                     | 7    | 252  | 6          |
|                                    |                     | 7    | 356  | 12         |
|                                    |                     | 7    | 404  | 10         |
|                                    |                     | 7    | 452  | 20         |
|                                    |                     | 7    | 500  | 6          |
|                                    |                     | 7    | 540  | 6          |
|                                    |                     | 7    | 592  | 12         |
|                                    | 66014-6             |      | 7    | 628        |
|                                    |                     | 1    | 202  | 8          |
|                                    |                     | 1    | 207  | 8          |
|                                    |                     | 1    | 249  | 16         |
|                                    |                     | 7    | 152  | 8          |
|                                    |                     | 7    | 180  | 8          |
| 66014-8                            |                     | 7    | 296  | 16         |
|                                    |                     | 1    | 284L | 40         |
|                                    |                     | 1    | 297  | 8          |
|                                    |                     | 1    | 341  | 16         |
|                                    |                     | 7    | 408  | 8          |
| 67068-8A4                          |                     | 7    | 456  | 16         |
|                                    |                     | 1    | 100G | 2          |
|                                    |                     | 5    | 100G | 2          |

# 55-40-13

 ILLUSTRATED PARTS LIST  
 01.1 Page 1042V  
 Nov 01/00

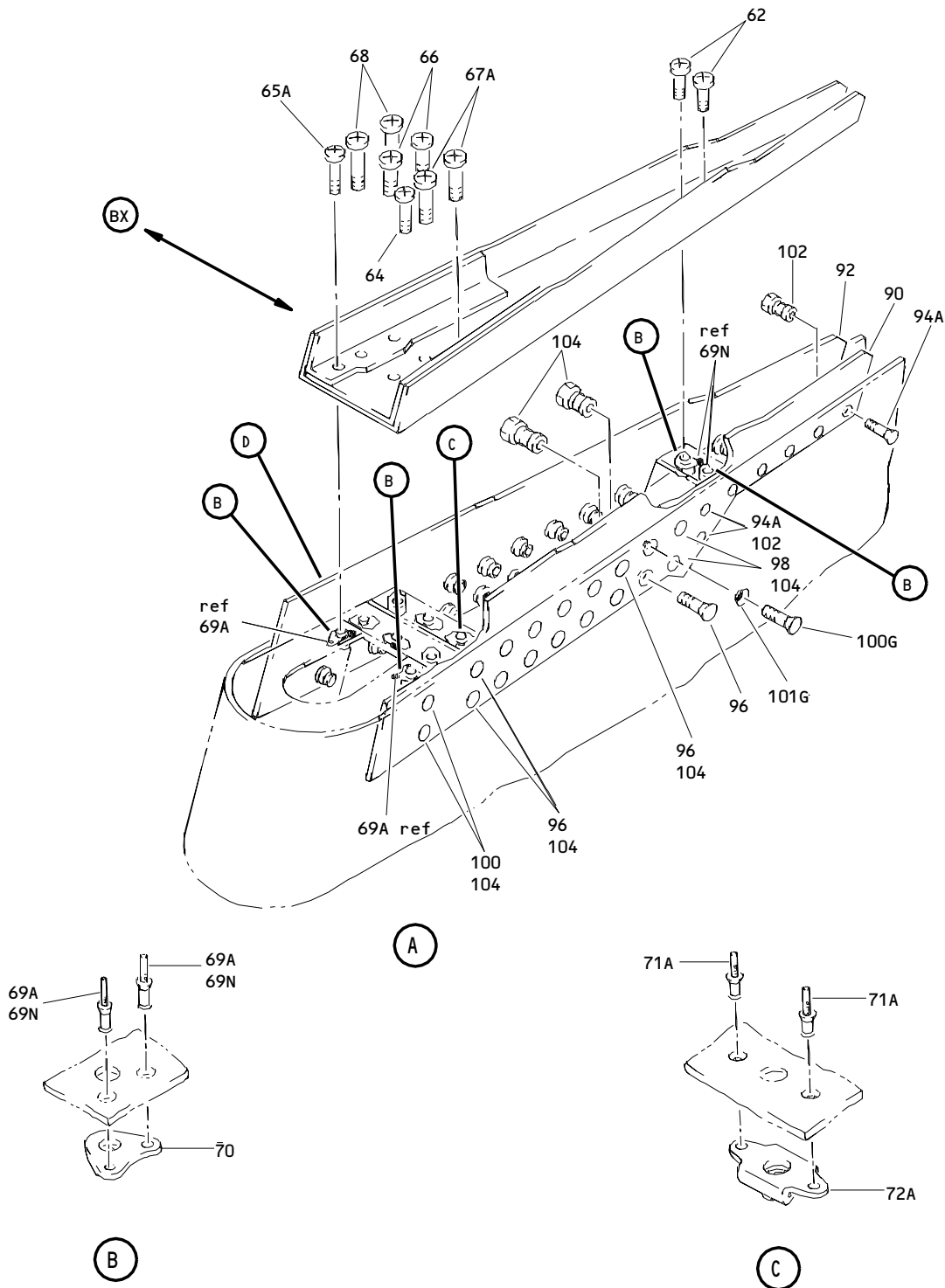


**Rudder Assembly  
 Figure 1 (Sheet 1)**

**55-40-13**

ILLUSTRATED PARTS LIST  
 01.1 Page 1042X  
 Nov 01/00

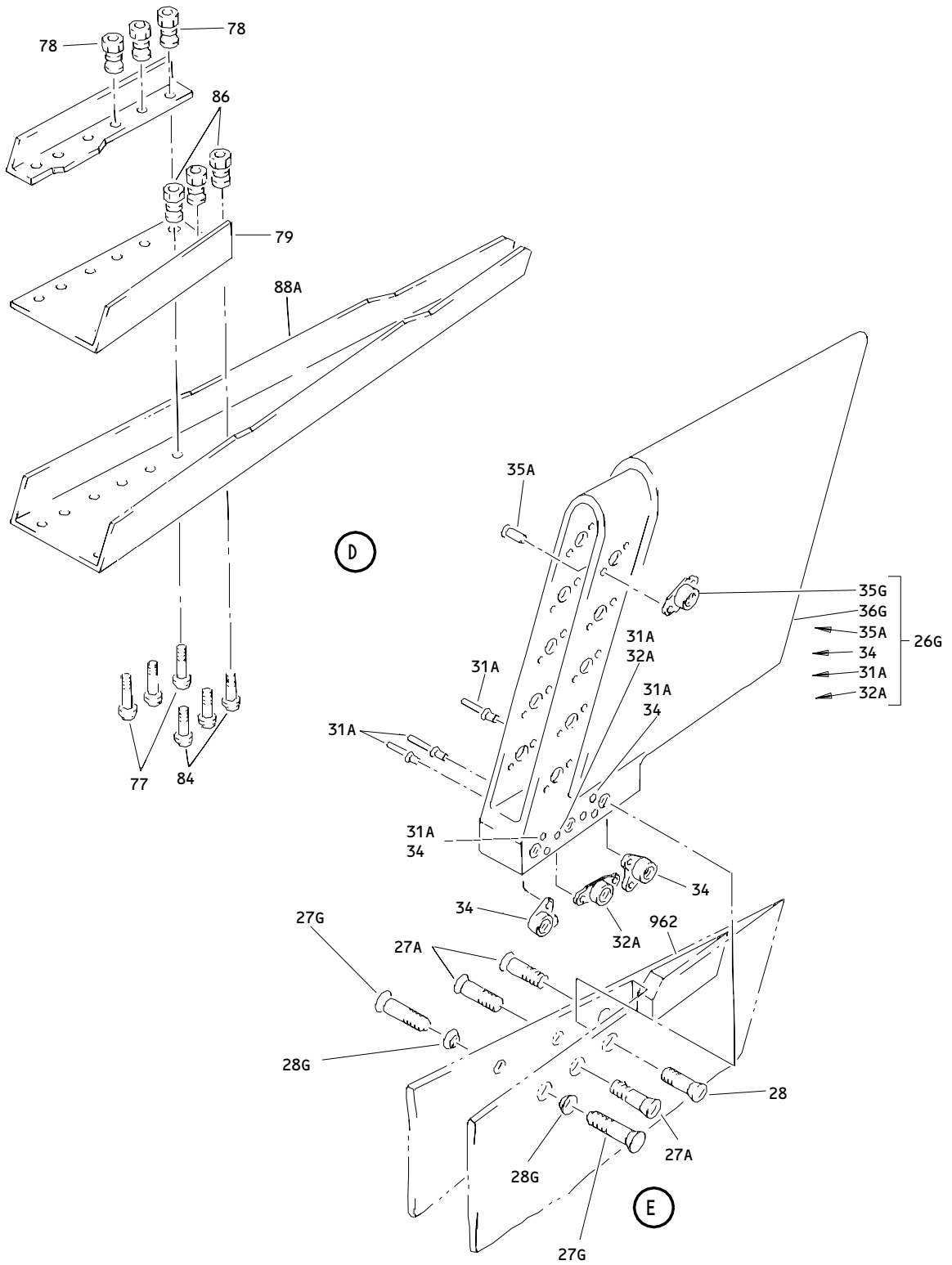
# BOEING COMPONENT MAINTENANCE MANUAL



Rudder Assembly  
Figure 1 (Sheet 2)

## 55-40-13

ILLUSTRATED PARTS LIST  
01.1 Page 1042Y  
Nov 01/00

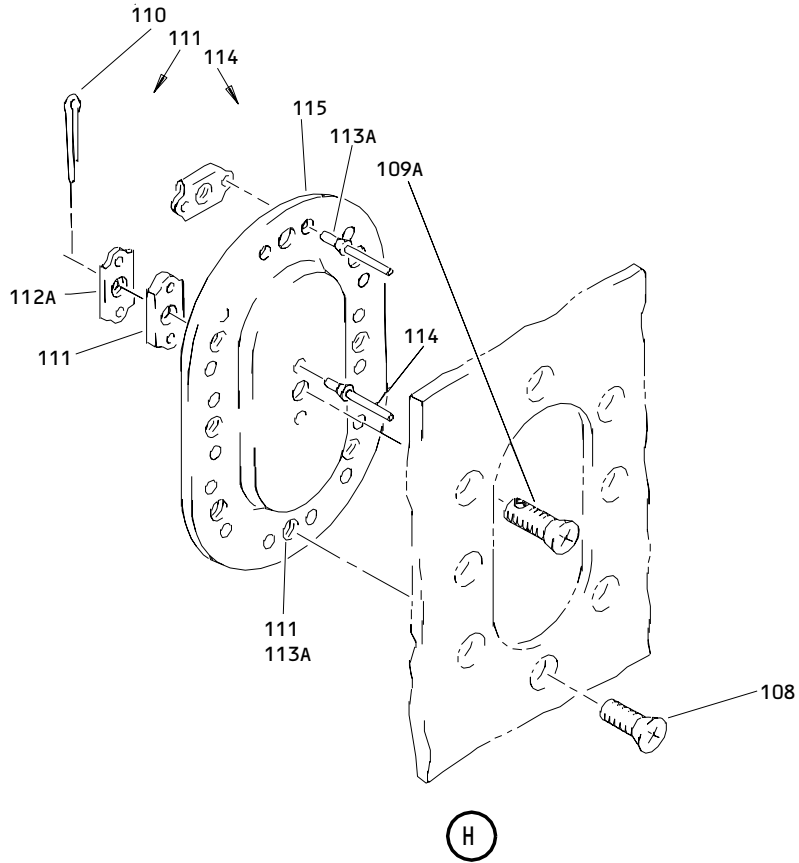


Rudder Assembly  
 Figure 1 (Sheet 3)

**55-40-13**

ILLUSTRATED PARTS LIST  
 01.1 Page 1042Z  
 Nov 01/00

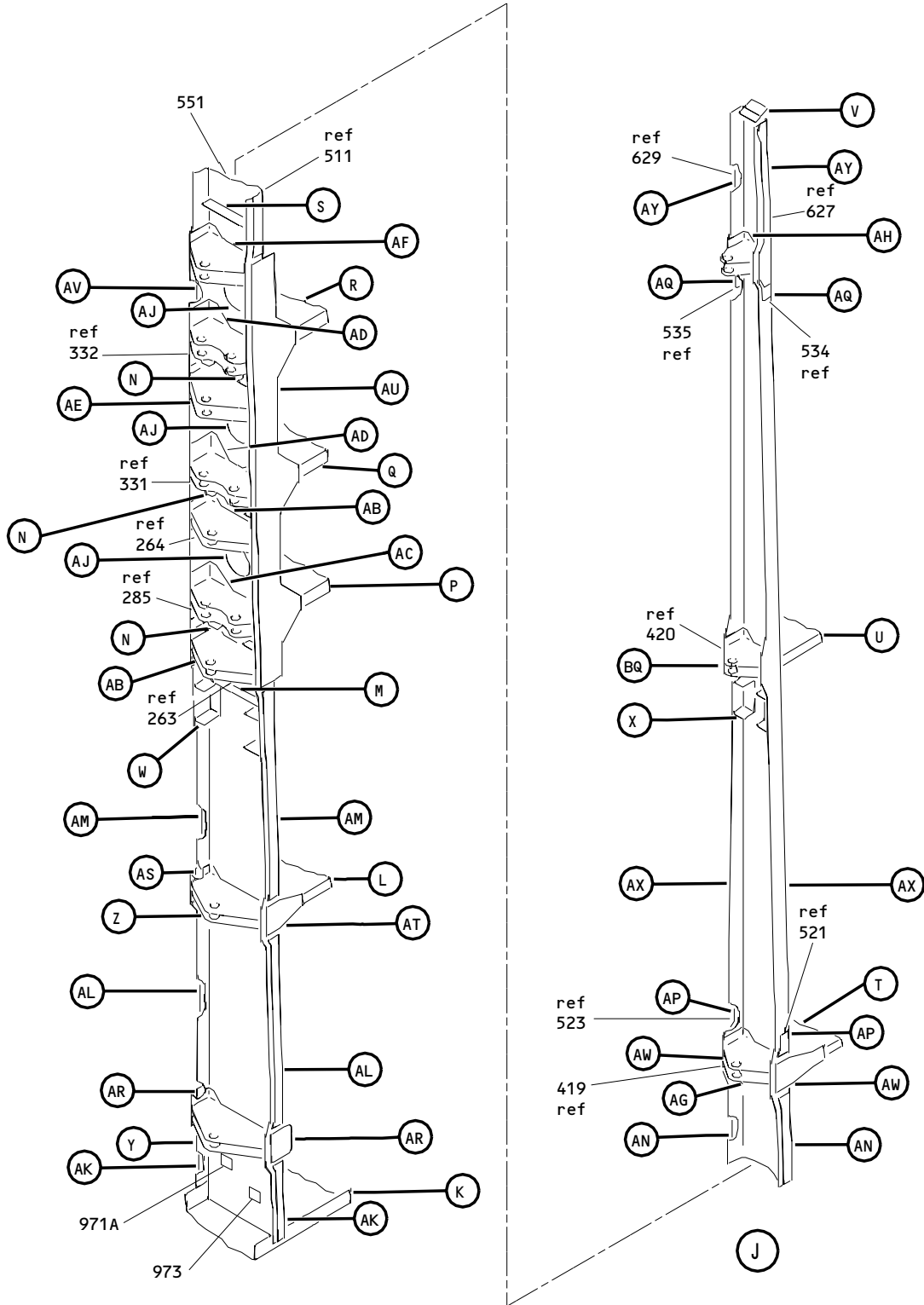




Rudder Assembly  
Figure 1 (Sheet 4)

**55-40-13**

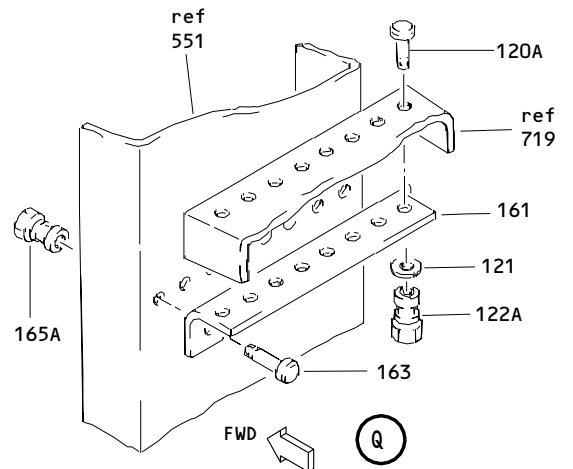
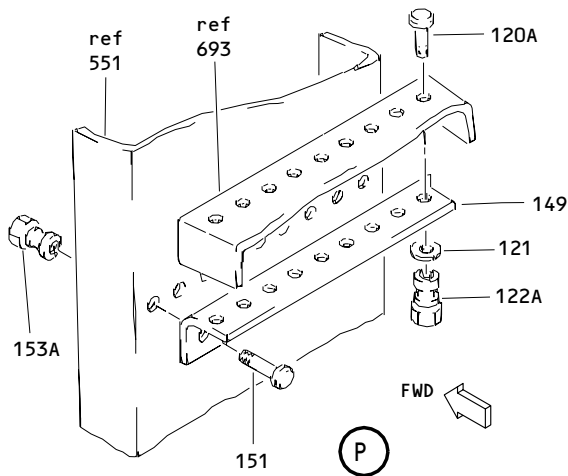
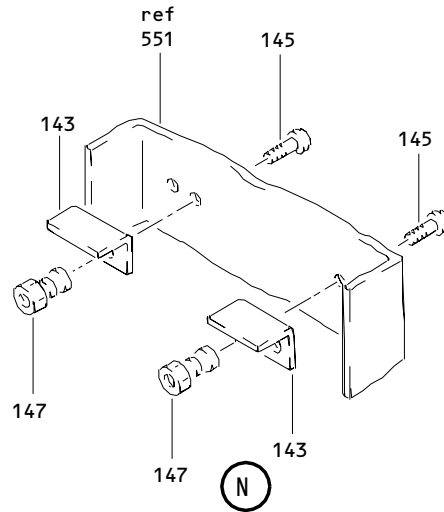
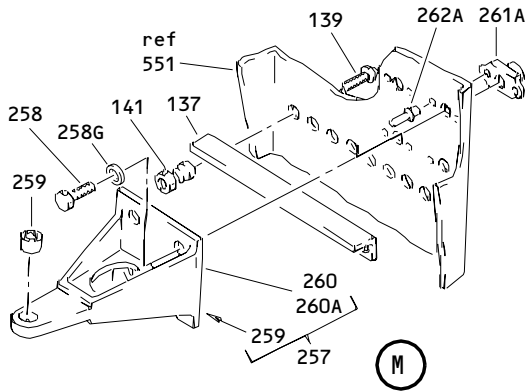
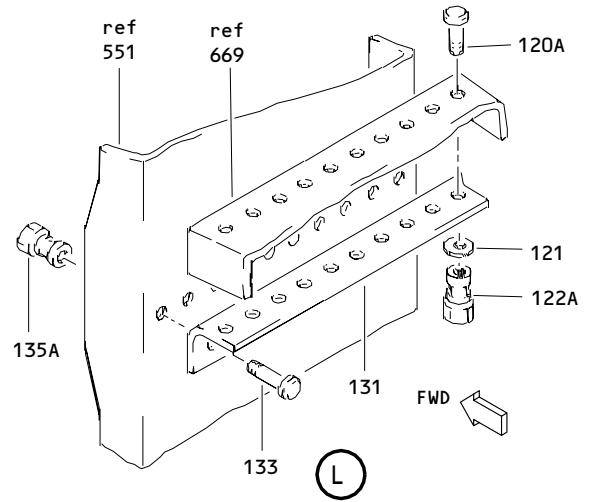
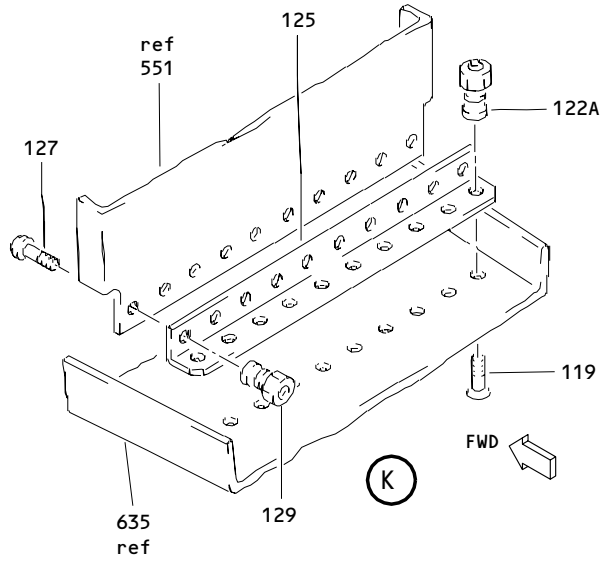
ILLUSTRATED PARTS LIST  
01.1 Page 1043  
Nov 01/00



Rudder Assembly  
 Figure 1 (Sheet 5)

**55-40-13**

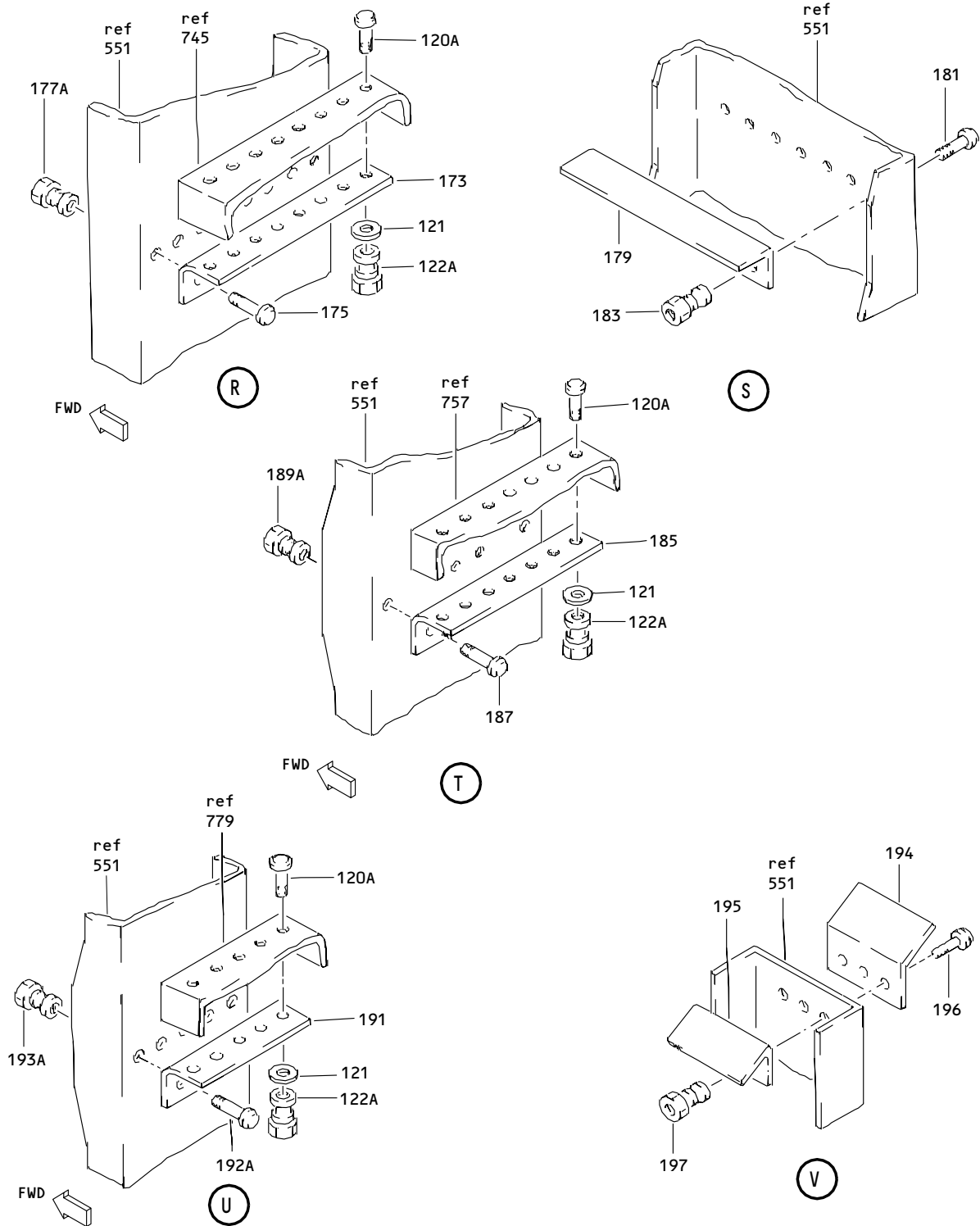
ILLUSTRATED PARTS LIST  
 01.1 Page 1044  
 Nov 01/00



Rudder Assembly  
 Figure 1 (Sheet 6)

**55-40-13**

ILLUSTRATED PARTS LIST  
 01.1 Page 1044A  
 Nov 01/00

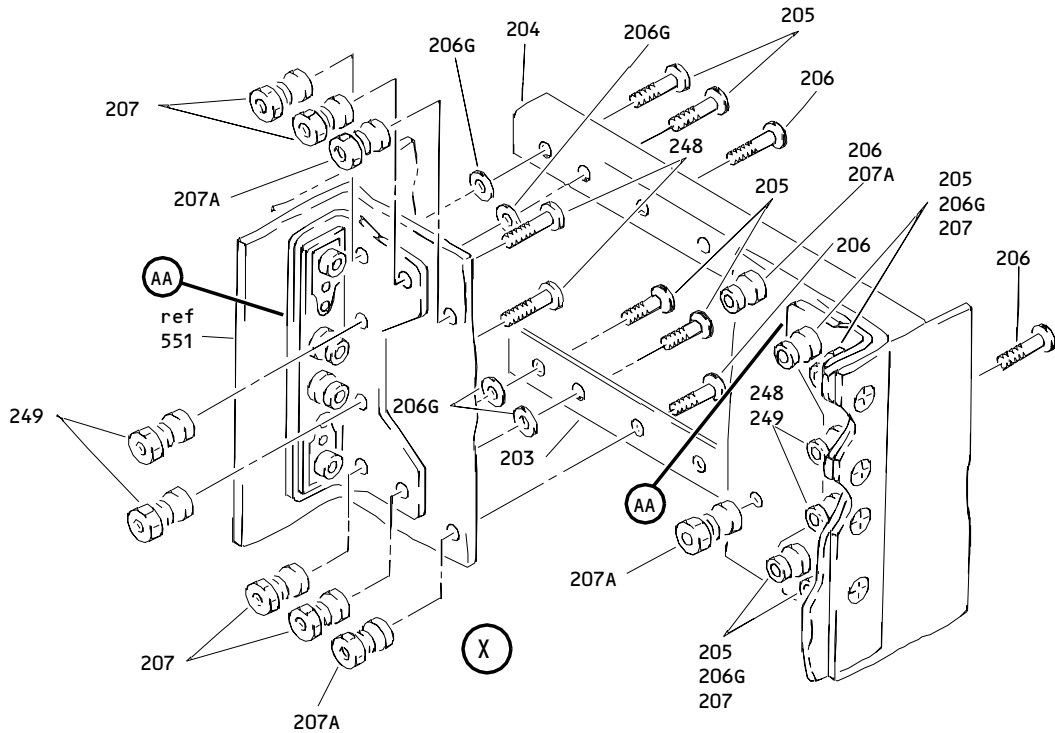
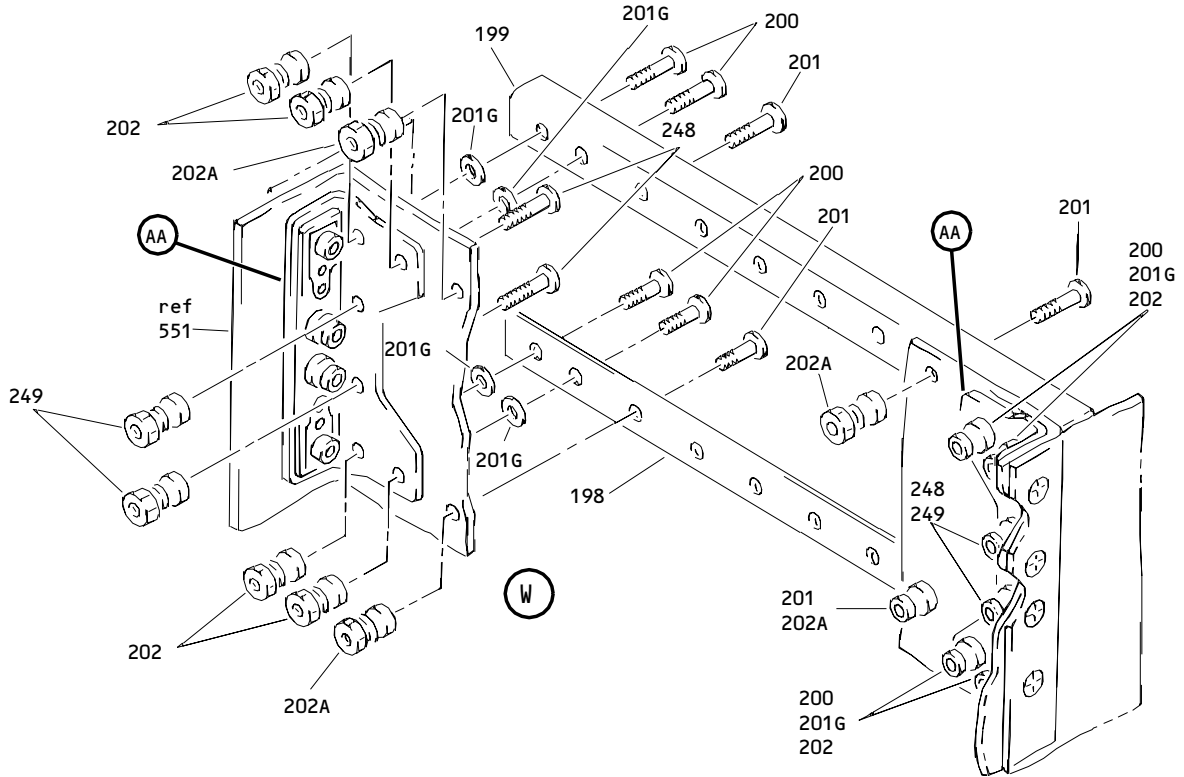
**COMPONENT  
MAINTENANCE MANUAL**


Rudder Assembly  
Figure 1 (Sheet 7)

# 55-40-13

ILLUSTRATED PARTS LIST  
01.1 Page 1044B  
Nov 01/00

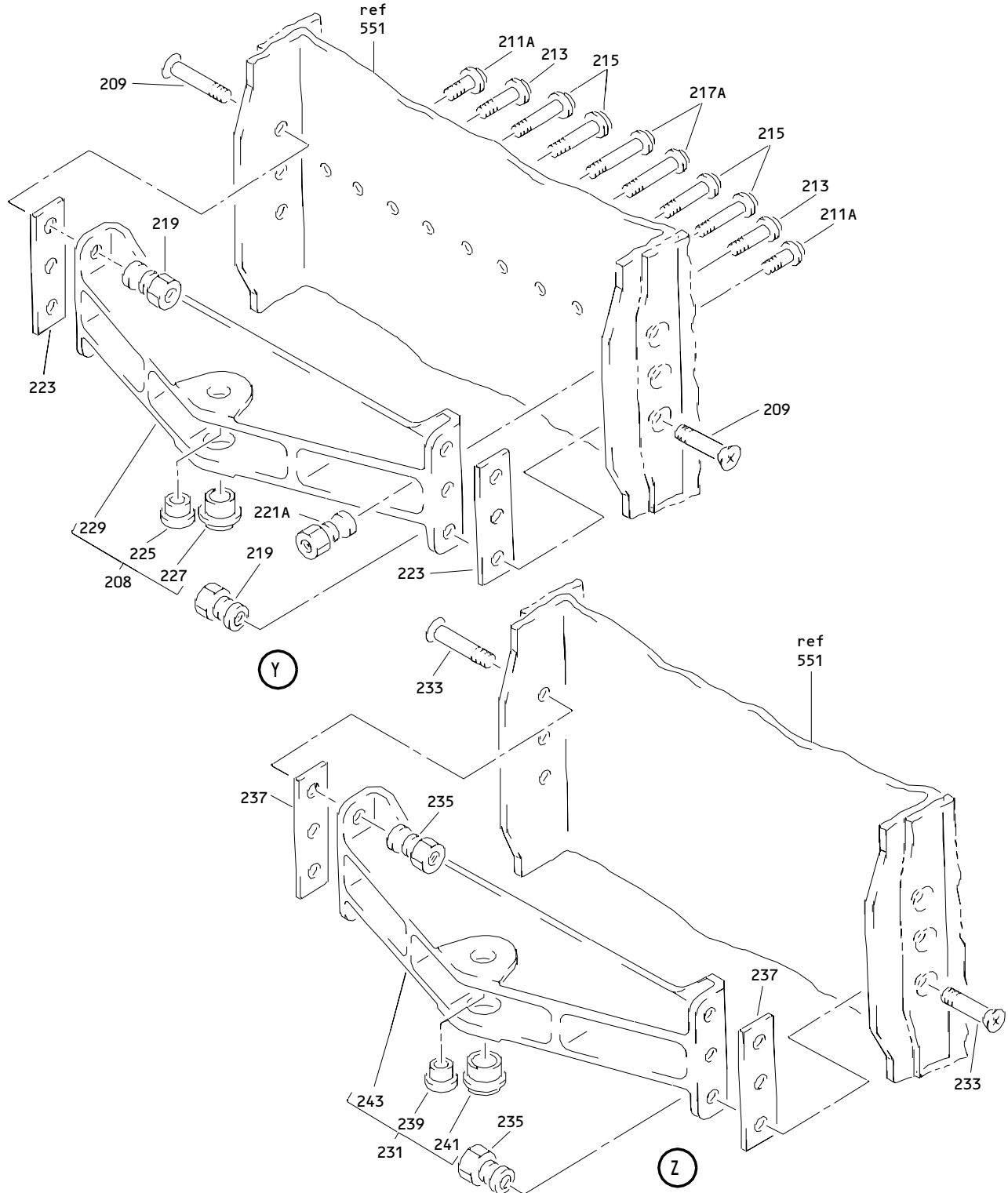
**BOEING**  
**COMPONENT**  
**MAINTENANCE MANUAL**



Rudder Assembly  
 Figure 1 (Sheet 8)

**55-40-13**

ILLUSTRATED PARTS LIST  
 01.1 Page 1044C  
 Nov 01/00



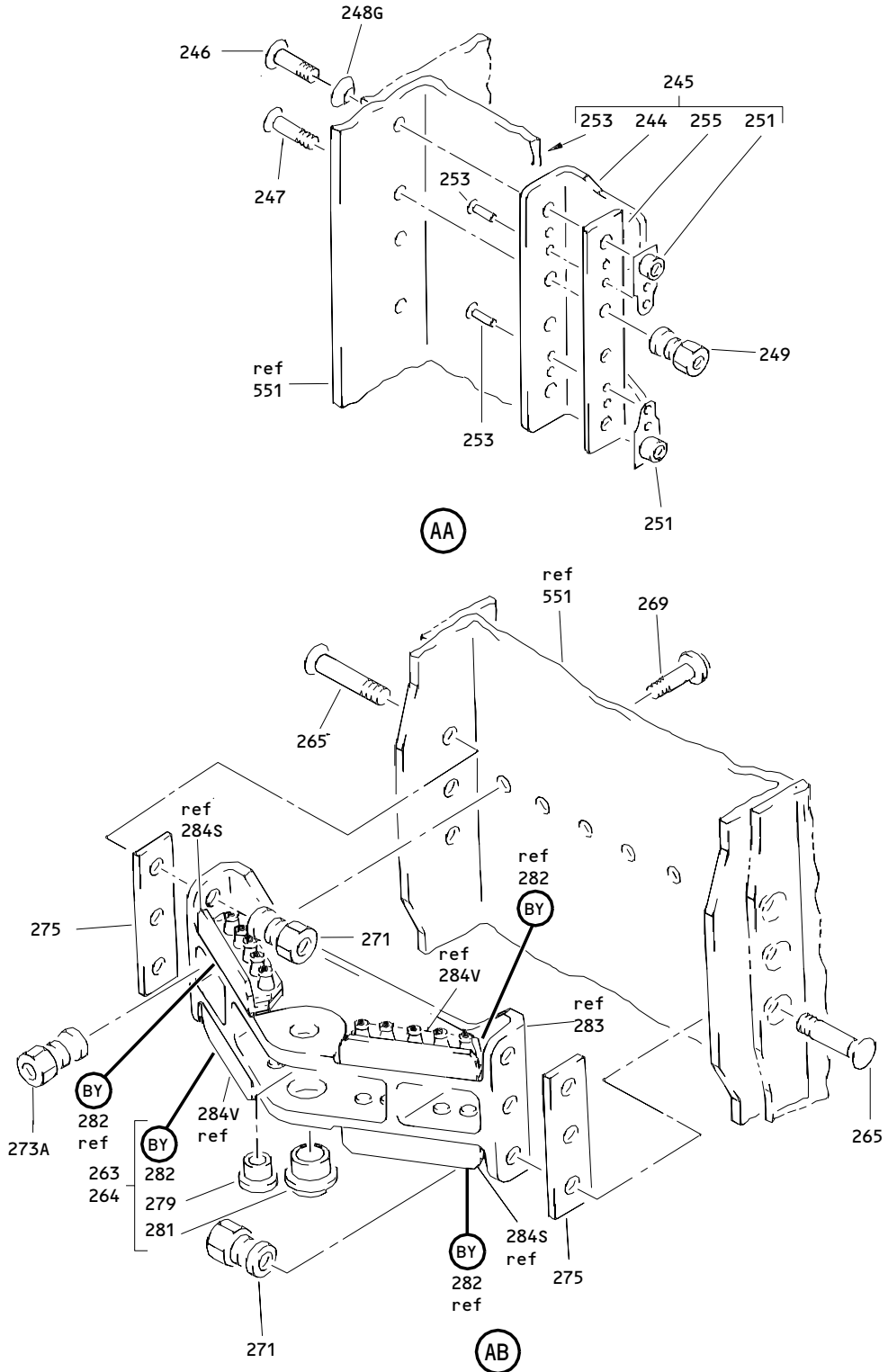
**Rudder Assembly  
 Figure 1 (Sheet 9)**

**55-40-13**

ILLUSTRATED PARTS LIST  
 01.1 Page 1044D  
 Nov 01/00

# BOEING

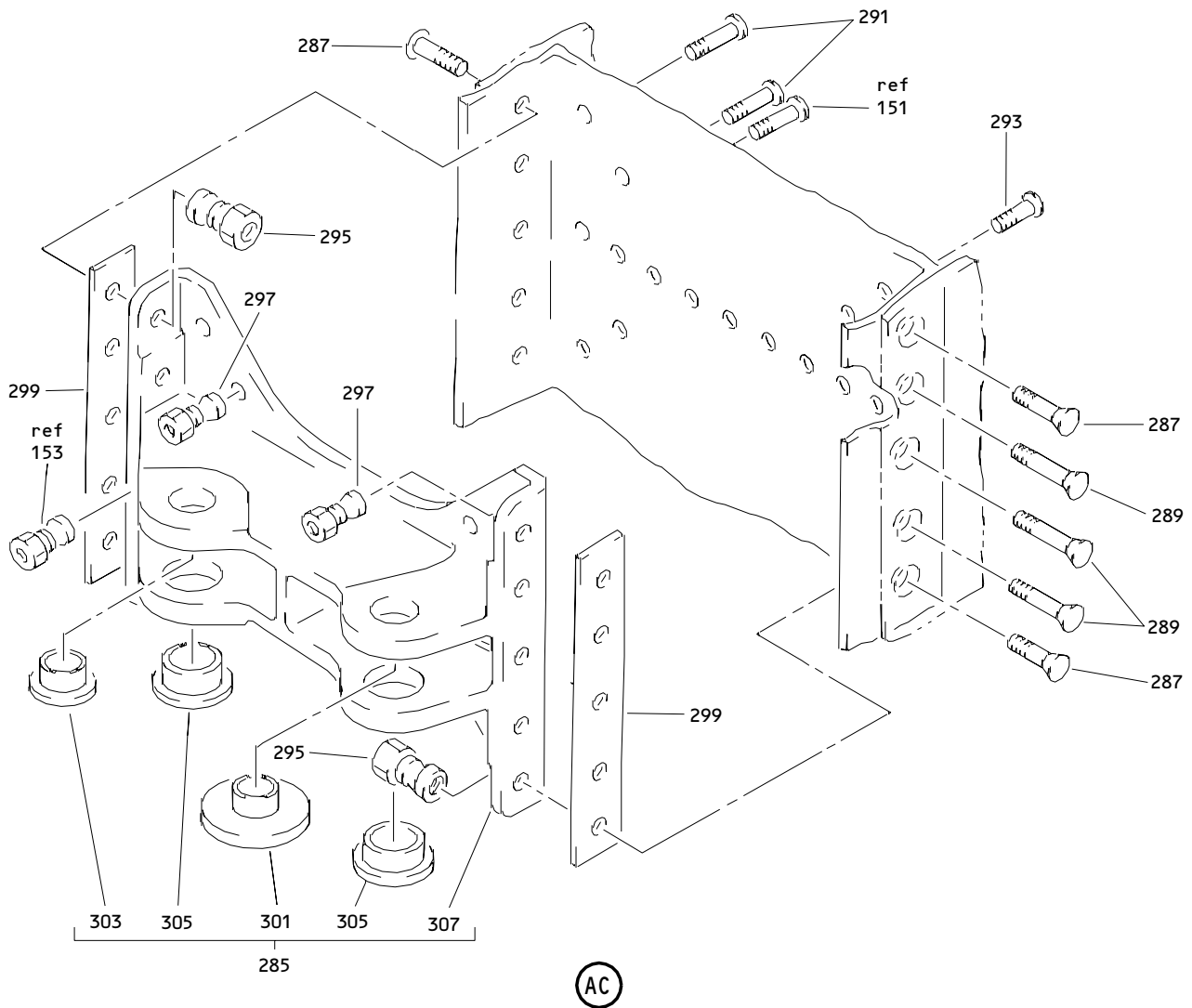
COMPONENT  
MAINTENANCE MANUAL



Rudder Assembly  
Figure 1 (Sheet 10)

## 55-40-13

ILLUSTRATED PARTS LIST  
01.1 Page 1044E  
Nov 01/00

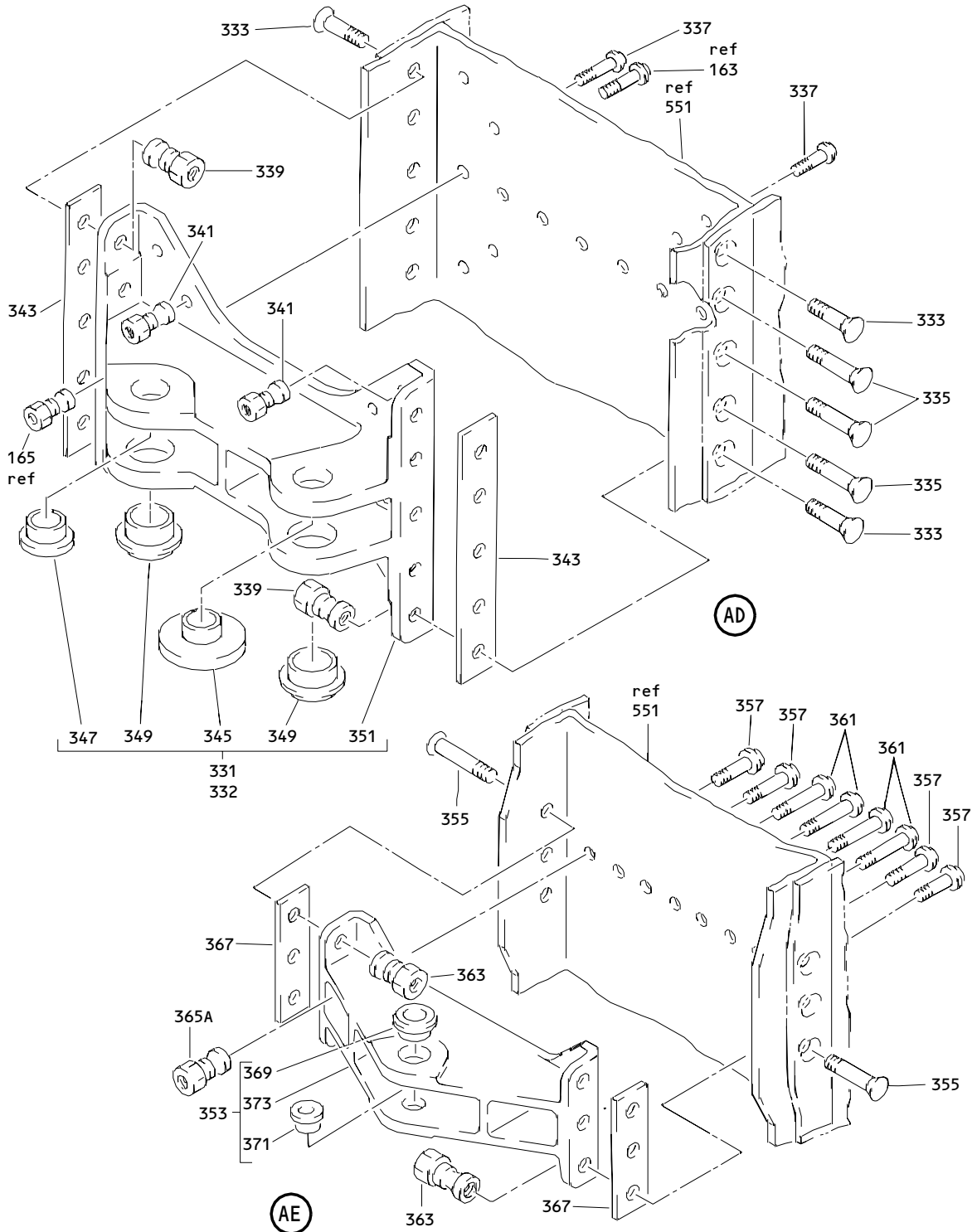


Rudder Assembly  
 Figure 1 (Sheet 11)

**55-40-13**

ILLUSTRATED PARTS LIST  
 01.1 Page 1044F  
 Nov 01/00

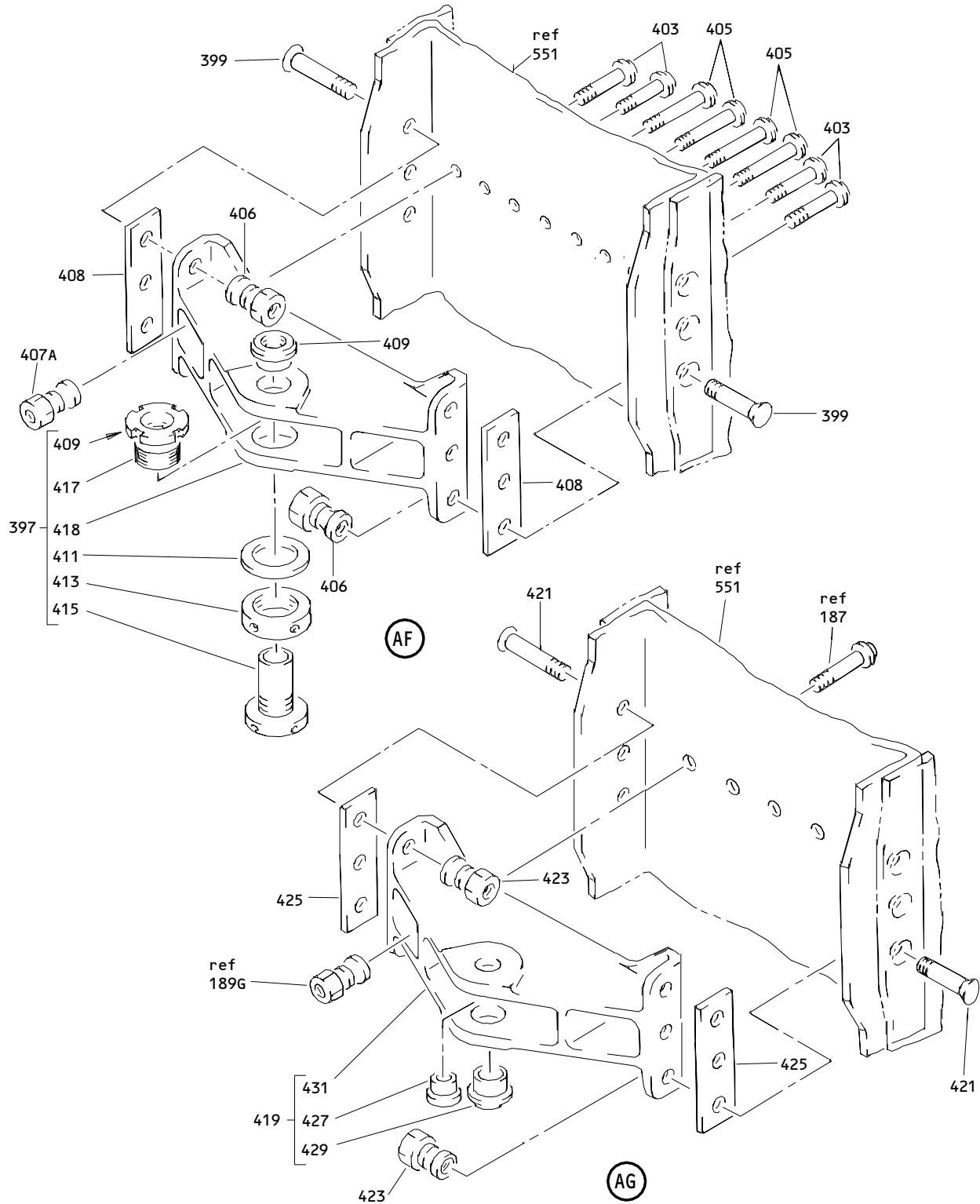




Rudder Assembly  
 Figure 1 (Sheet 12)

**55-40-13**

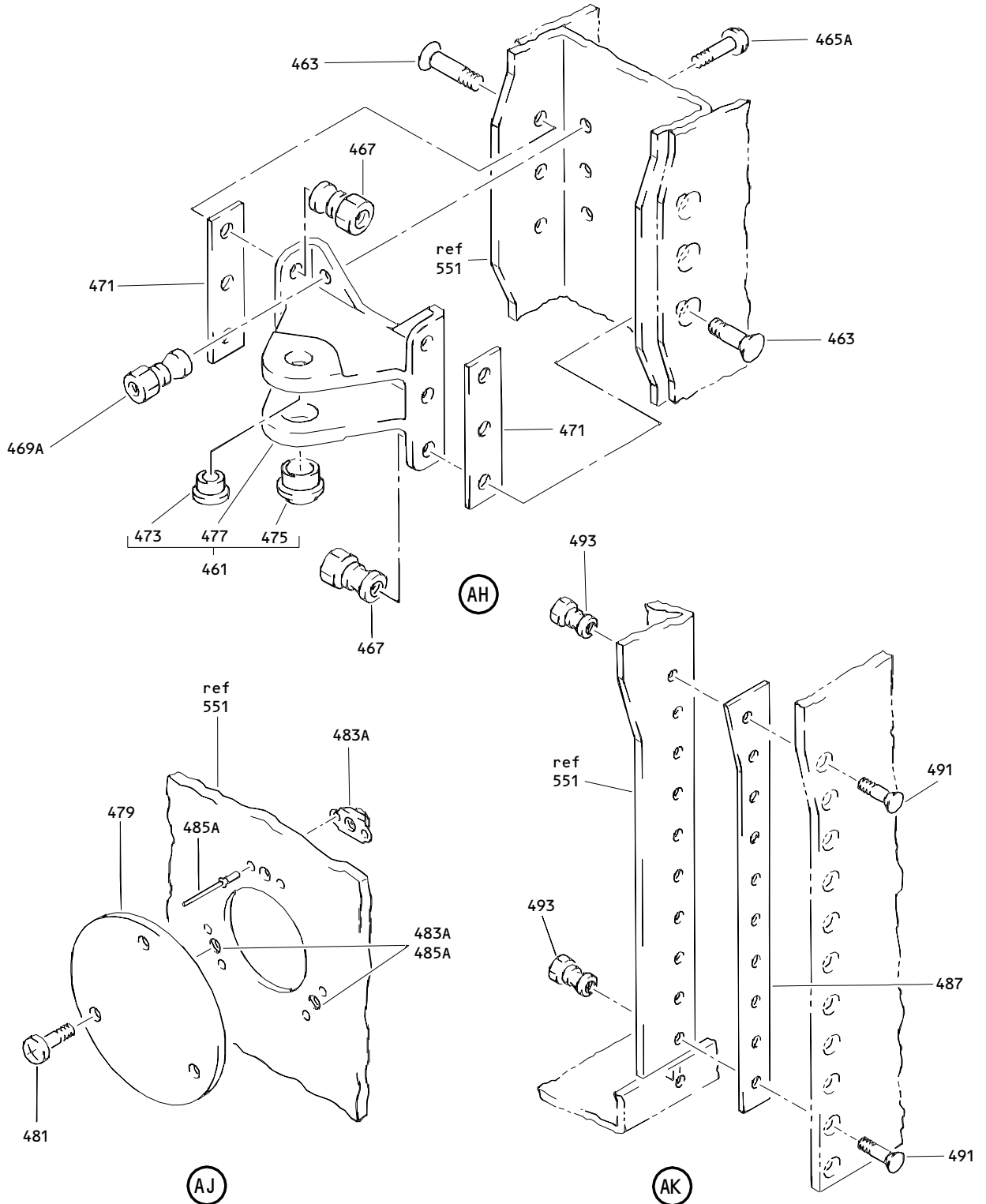
ILLUSTRATED PARTS LIST  
 01.1 Page 1044G  
 Nov 01/00



Rudder Assembly  
Figure 1 (Sheet 13)

**55-40-13**

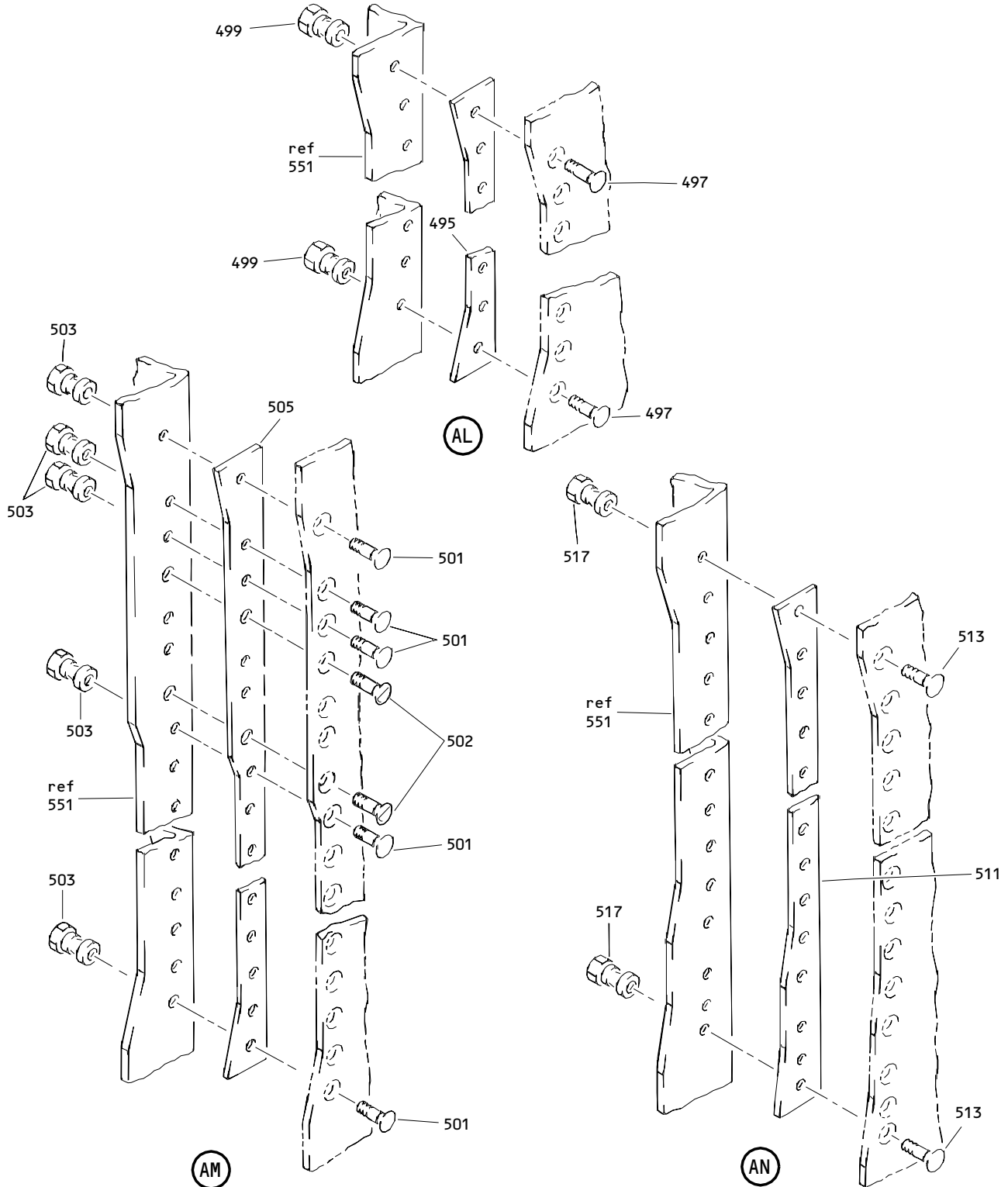
ILLUSTRATED PARTS LIST  
01.1 Page 1044H  
Nov 01/00



Rudder Assembly  
 Figure 1 (Sheet 14)

**55-40-13**

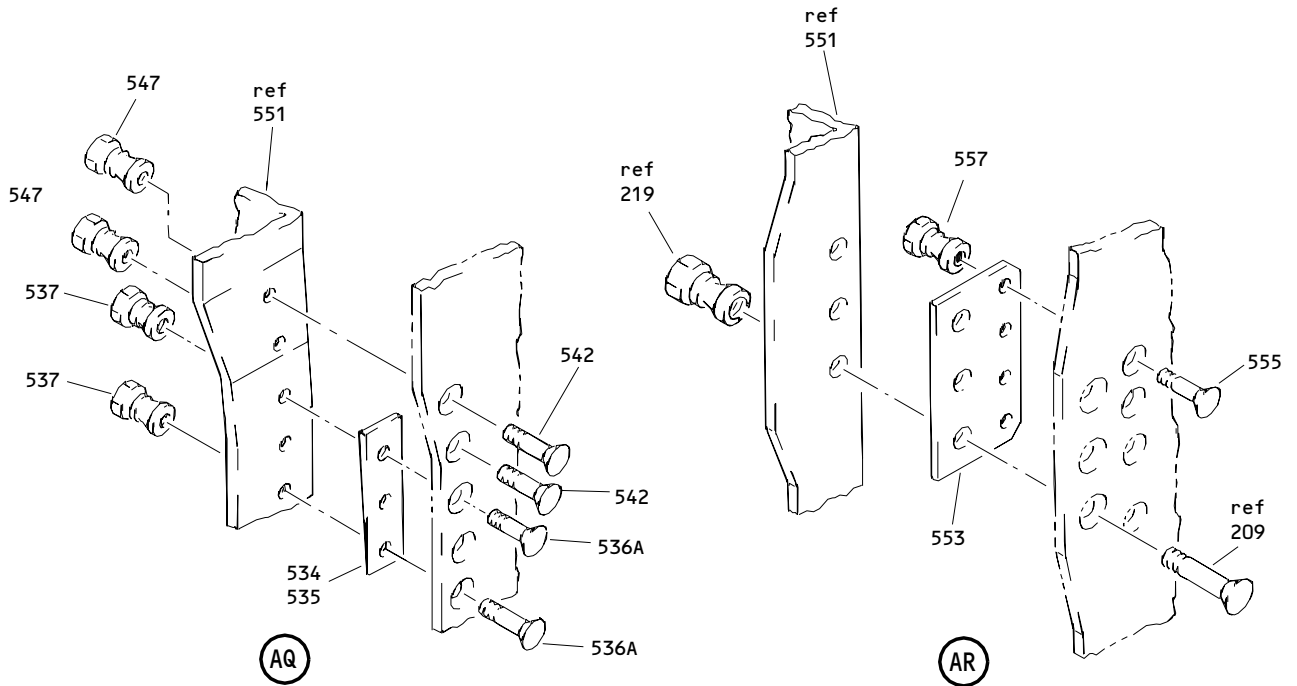
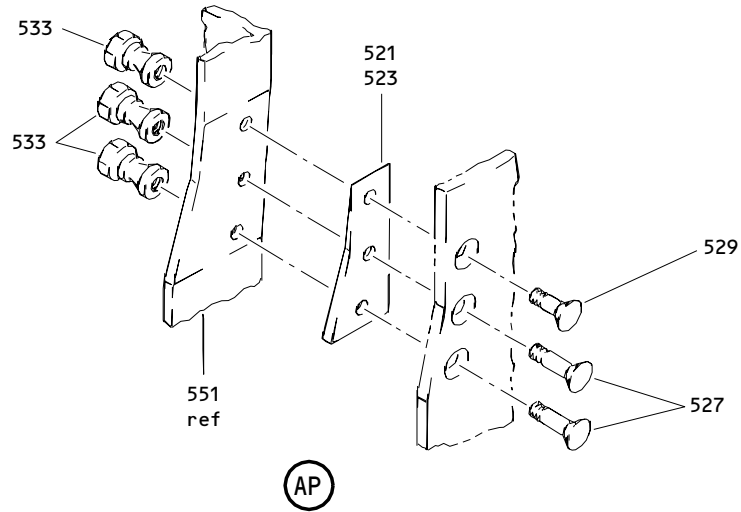
ILLUSTRATED PARTS LIST  
 01.1 Page 1044I  
 Nov 01/00



Rudder Assembly  
 Figure 1 (Sheet 15)

**55-40-13**

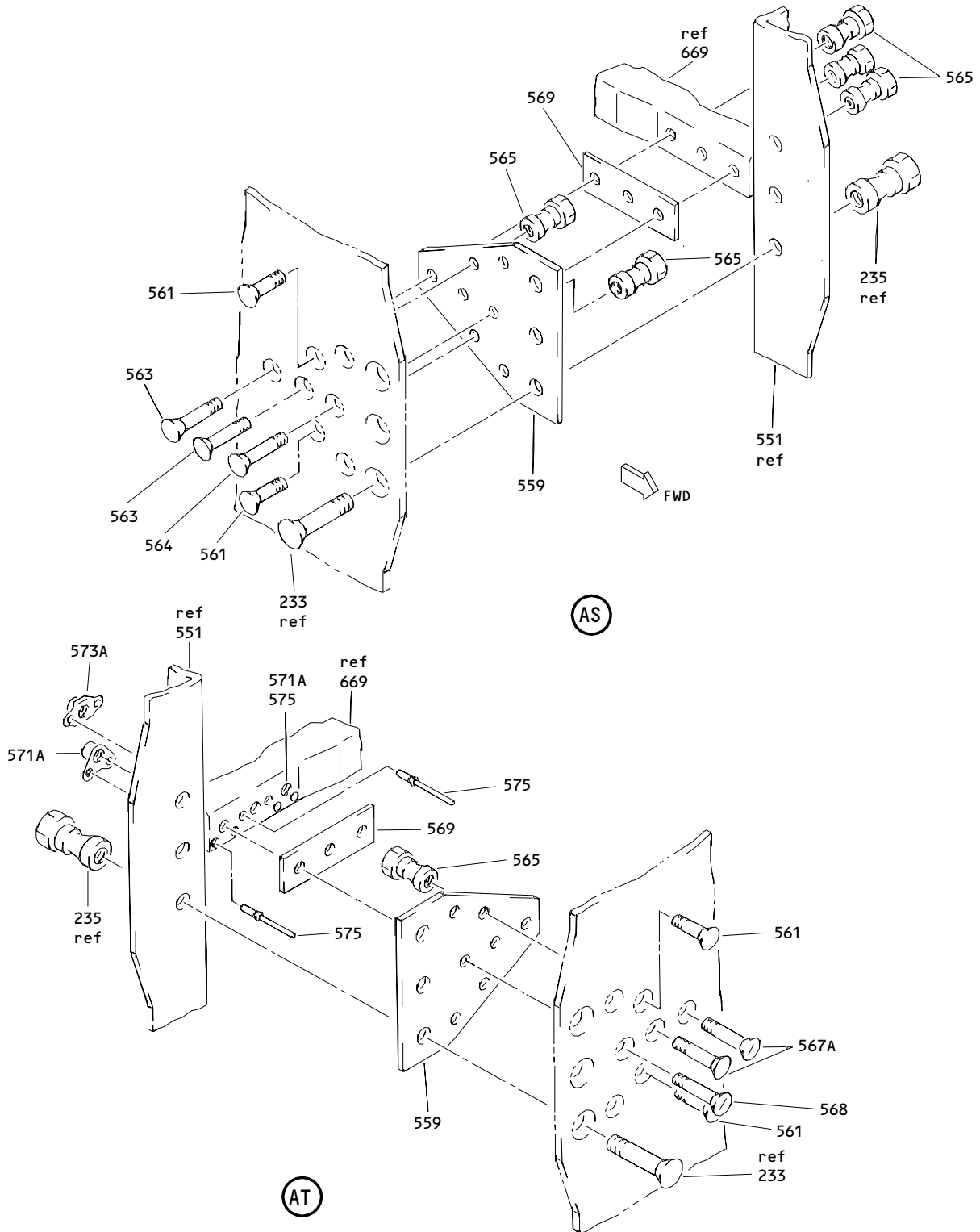
ILLUSTRATED PARTS LIST  
 01.1 Page 1044J  
 Nov 01/00



Rudder Assembly  
 Figure 1 (Sheet 16)

**55-40-13**

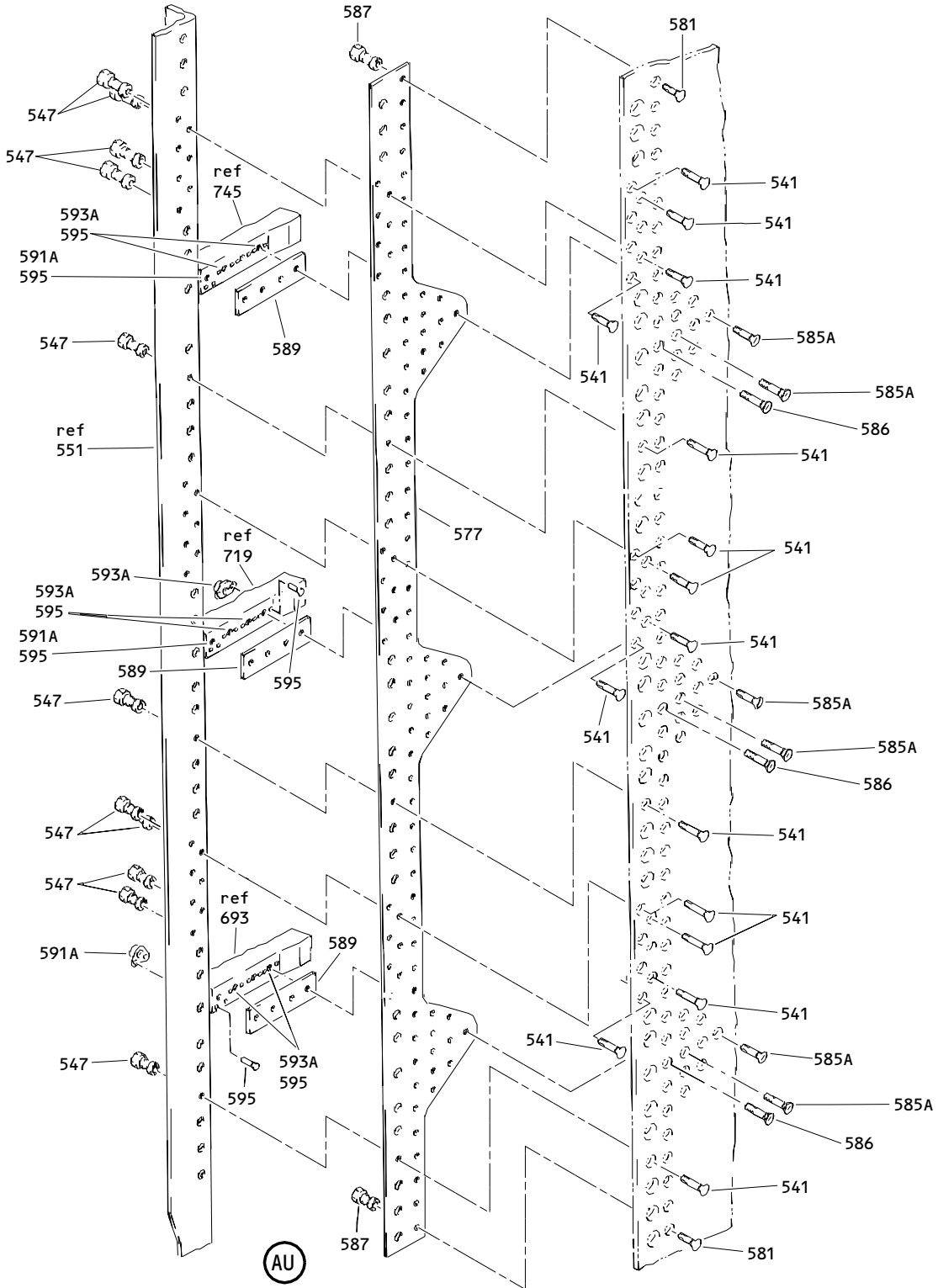
ILLUSTRATED PARTS LIST  
 01.1 Page 1044K  
 Nov 01/00



Rudder Assembly  
 Figure 1 (Sheet 17)

**55-40-13**

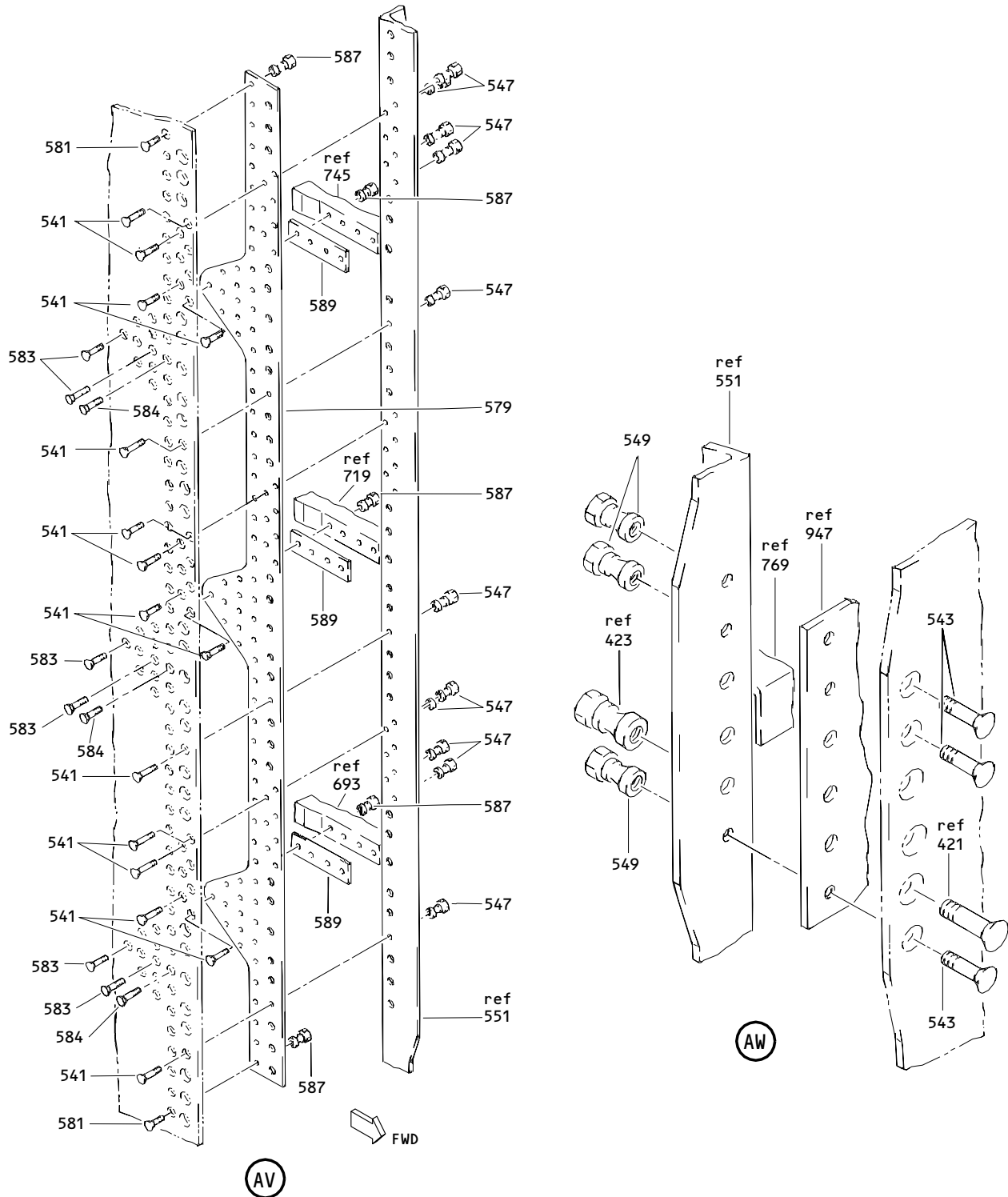
ILLUSTRATED PARTS LIST  
 01.1 Page 1044L  
 Nov 01/00



Rudder Assembly  
Figure 1 (Sheet 18)

**55-40-13**

ILLUSTRATED PARTS LIST  
01.1 Page 1044M  
Nov 01/00

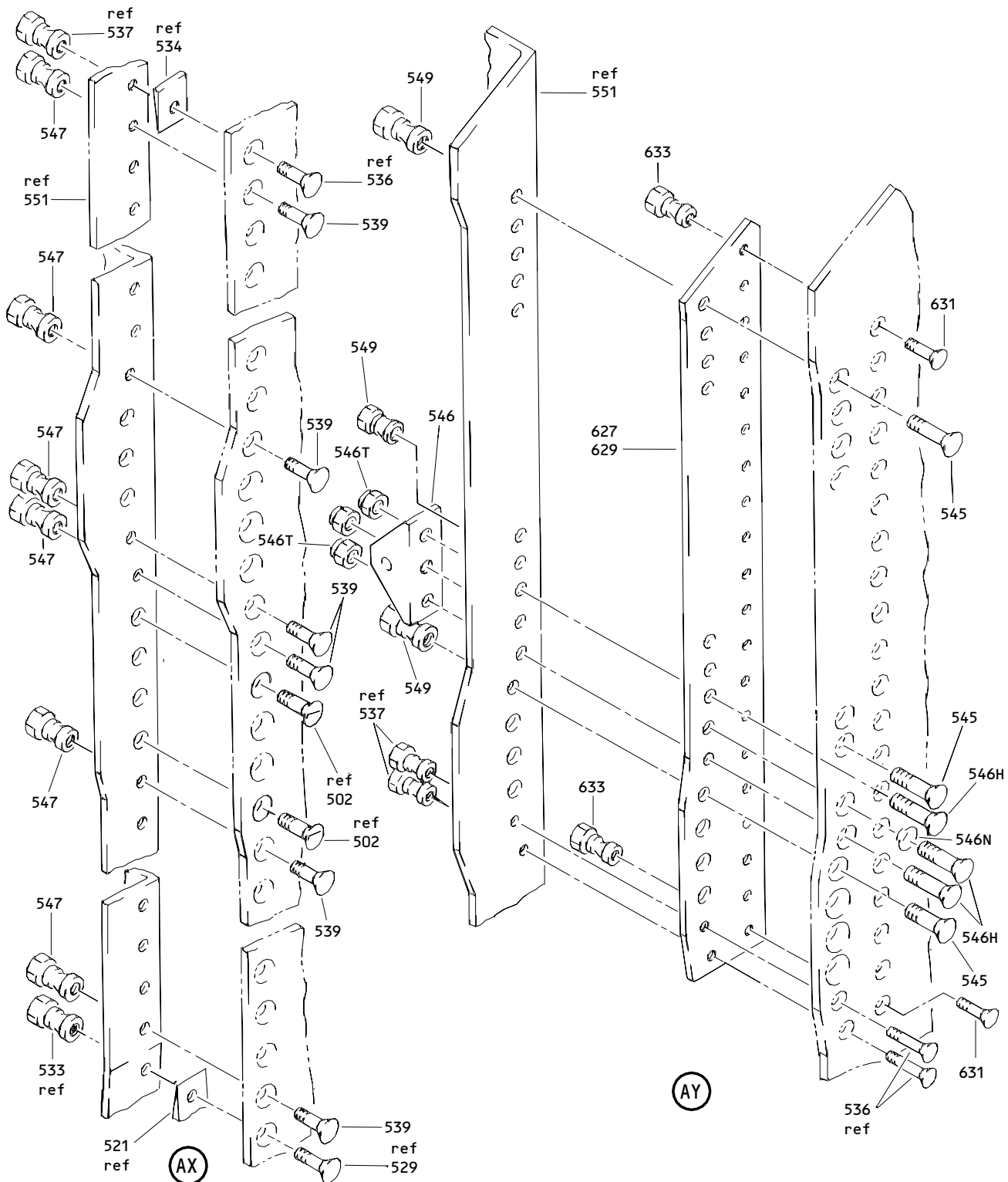


Rudder Assembly  
 Figure 1 (Sheet 19)

**55-40-13**

ILLUSTRATED PARTS LIST  
 01.1 Page 1044N  
 Nov 01/00

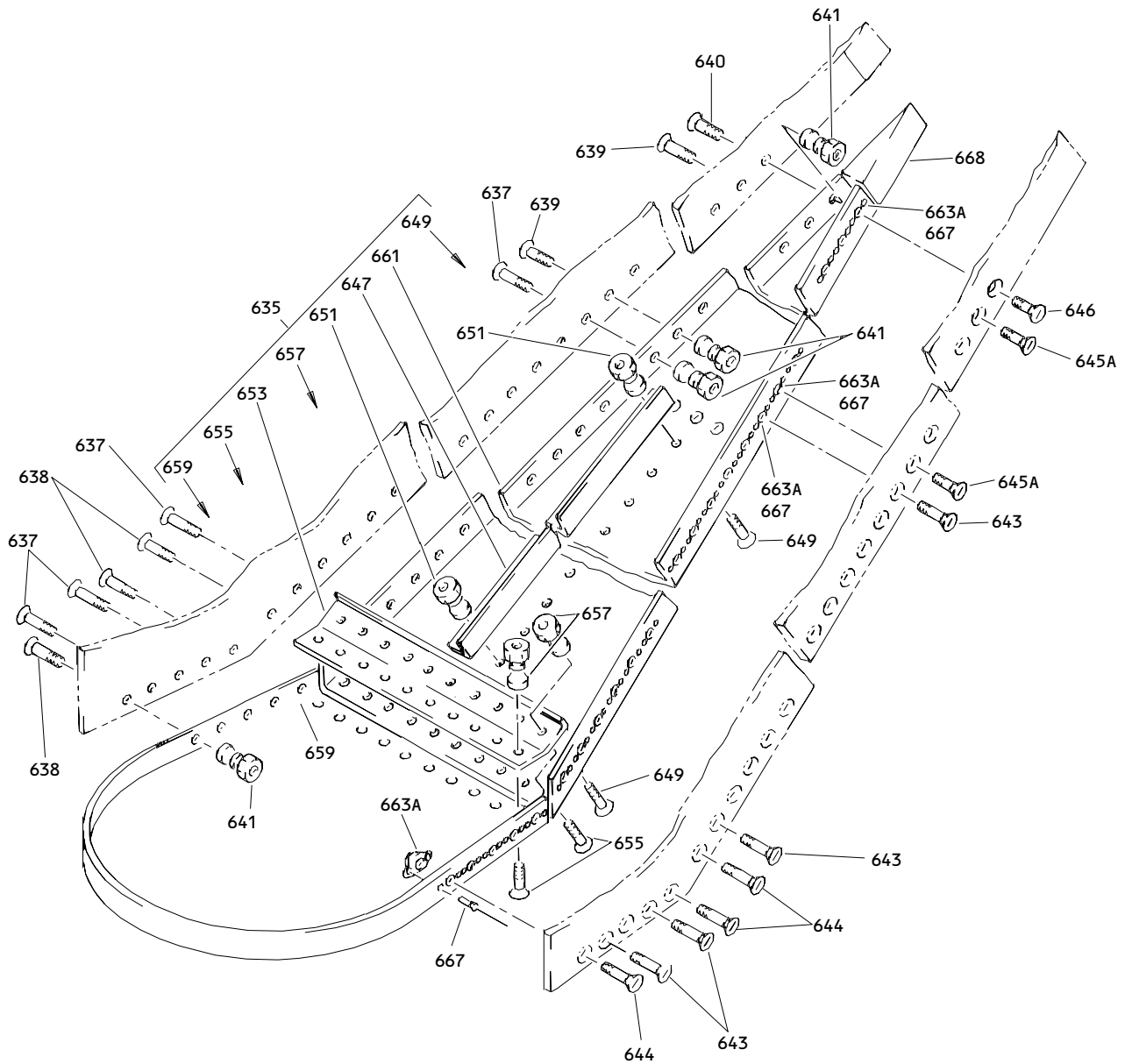




Rudder Assembly  
Figure 1 (Sheet 20)

**55-40-13**

ILLUSTRATED PARTS LIST  
01.1 Page 10440  
Nov 01/00



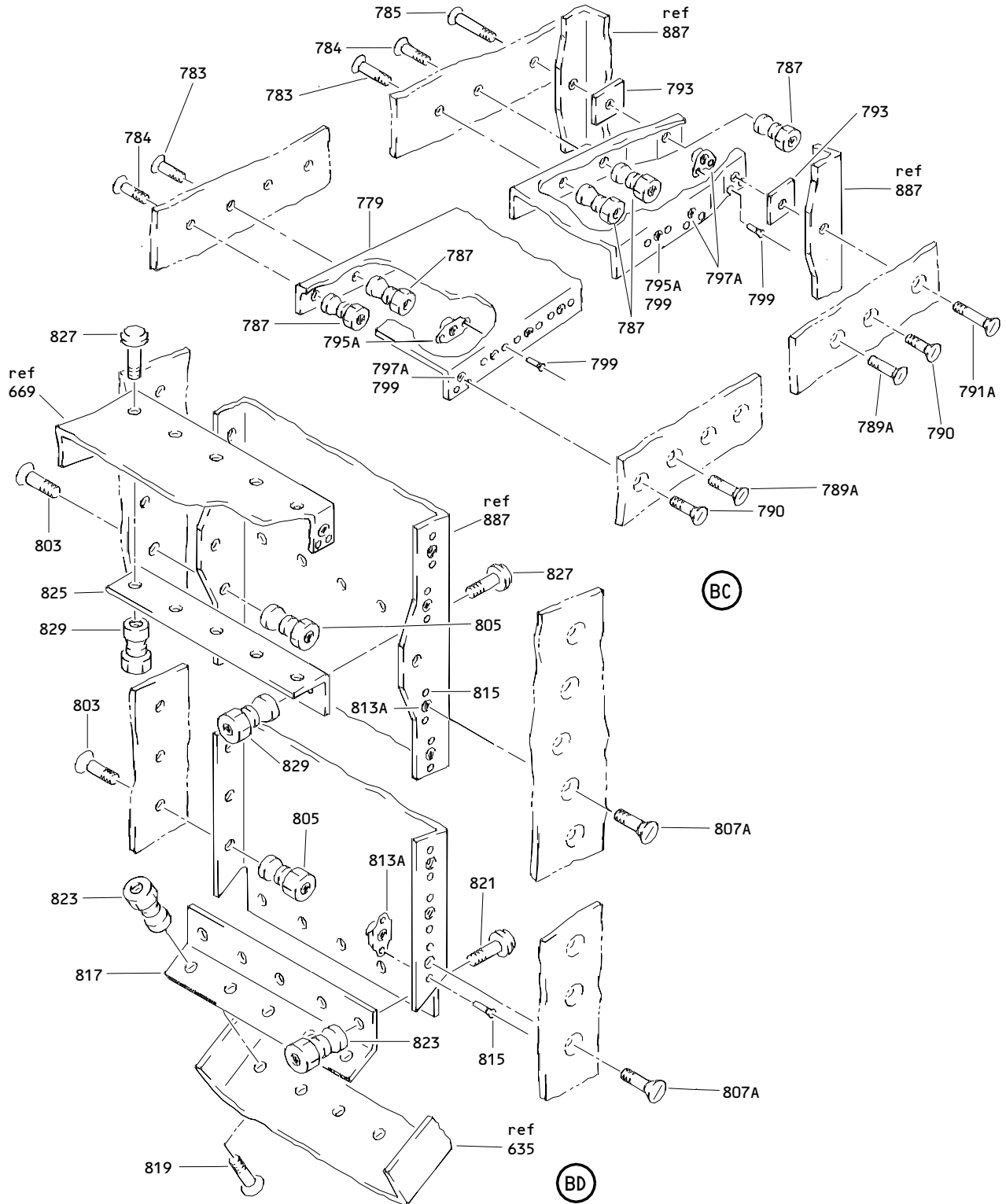
(AZ)

Rudder Assembly  
Figure 1 (Sheet 21)

**55-40-13**

ILLUSTRATED PARTS LIST  
01.1 Page 1044P  
Nov 01/00





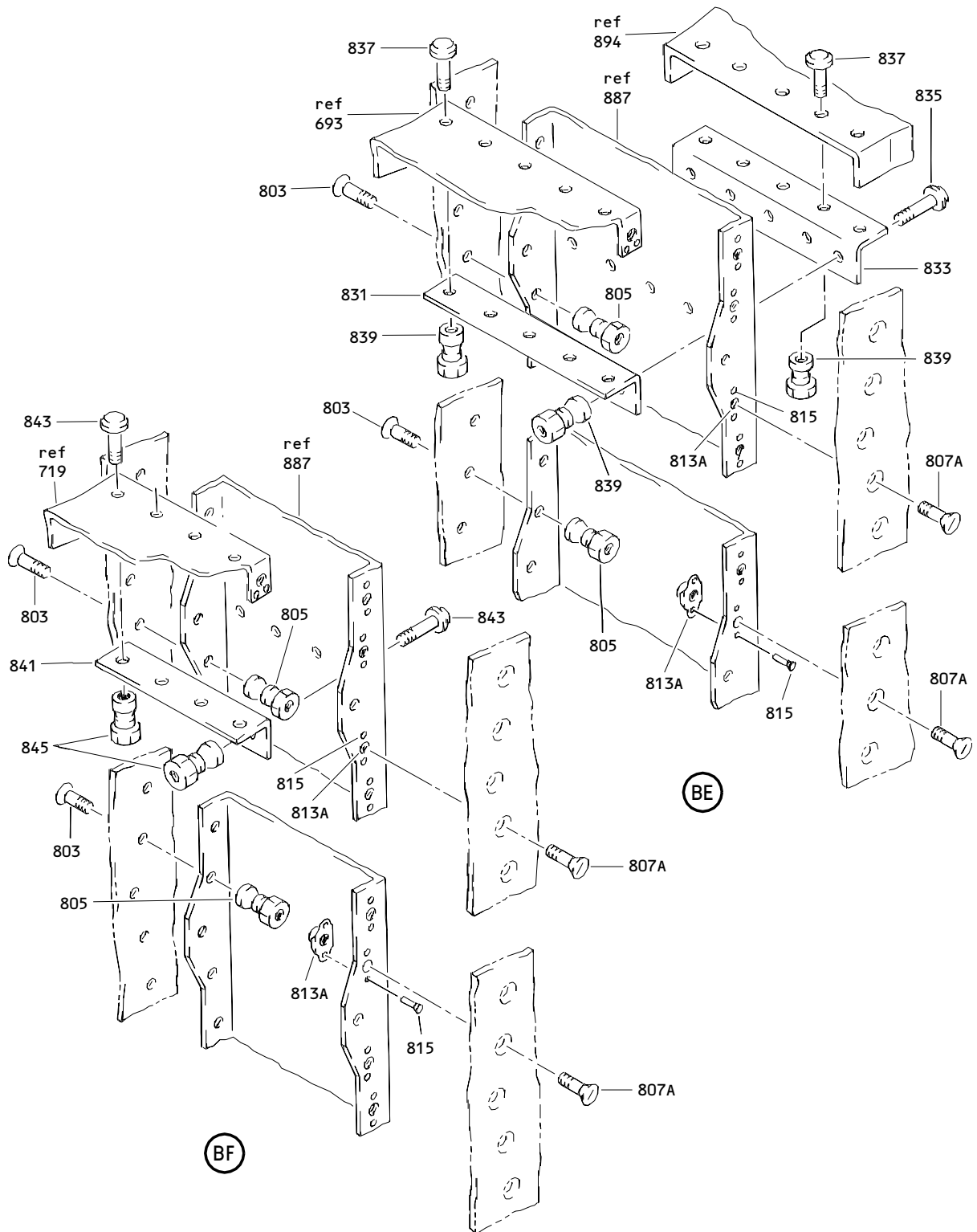
Rudder Assembly  
Figure 1 (Sheet 23)

**55-40-13**

ILLUSTRATED PARTS LIST  
01.1 Page 1044R  
Nov 01/00

# BOEING

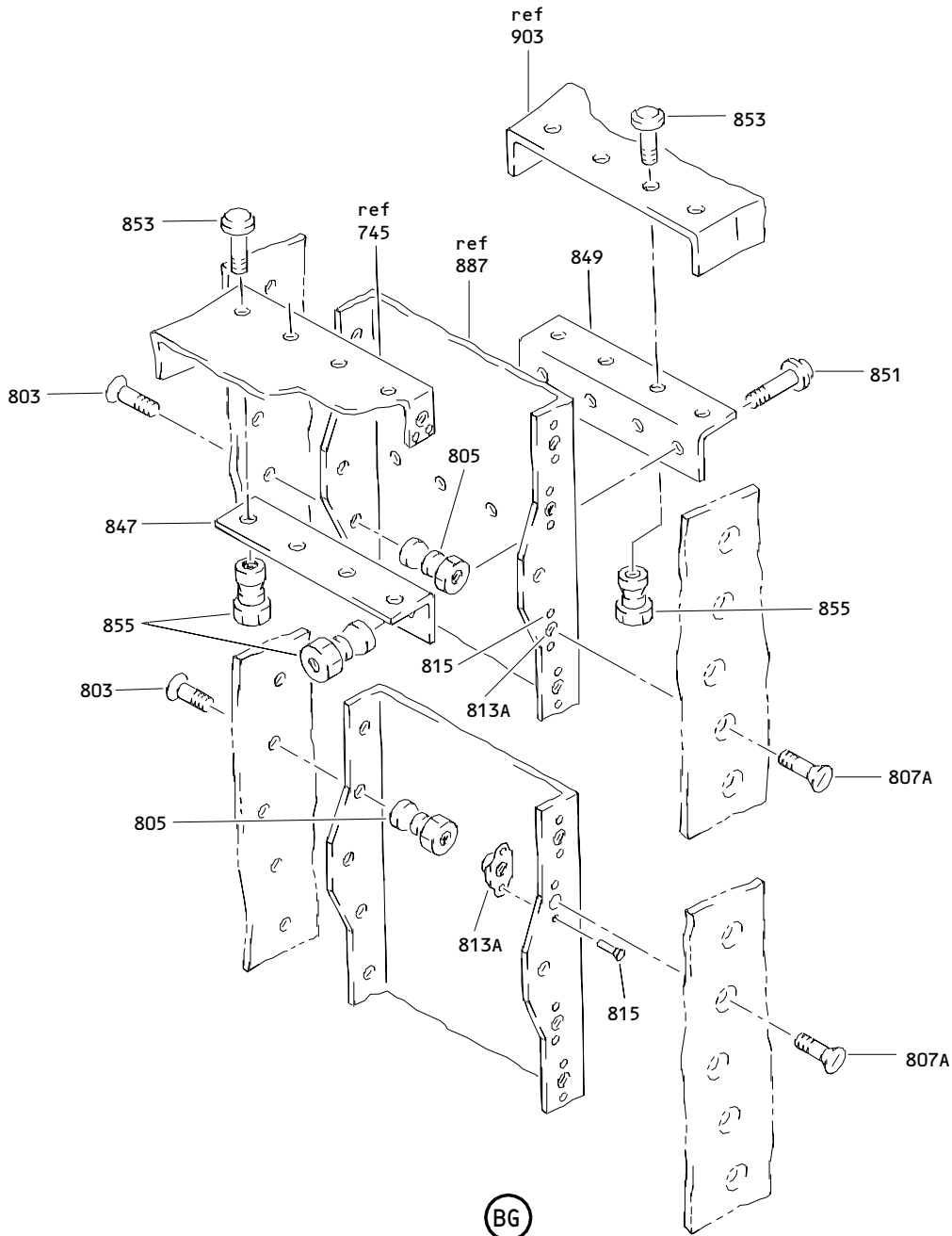
COMPONENT  
MAINTENANCE MANUAL



Rudder Assembly  
Figure 1 (Sheet 24)

55-40-13

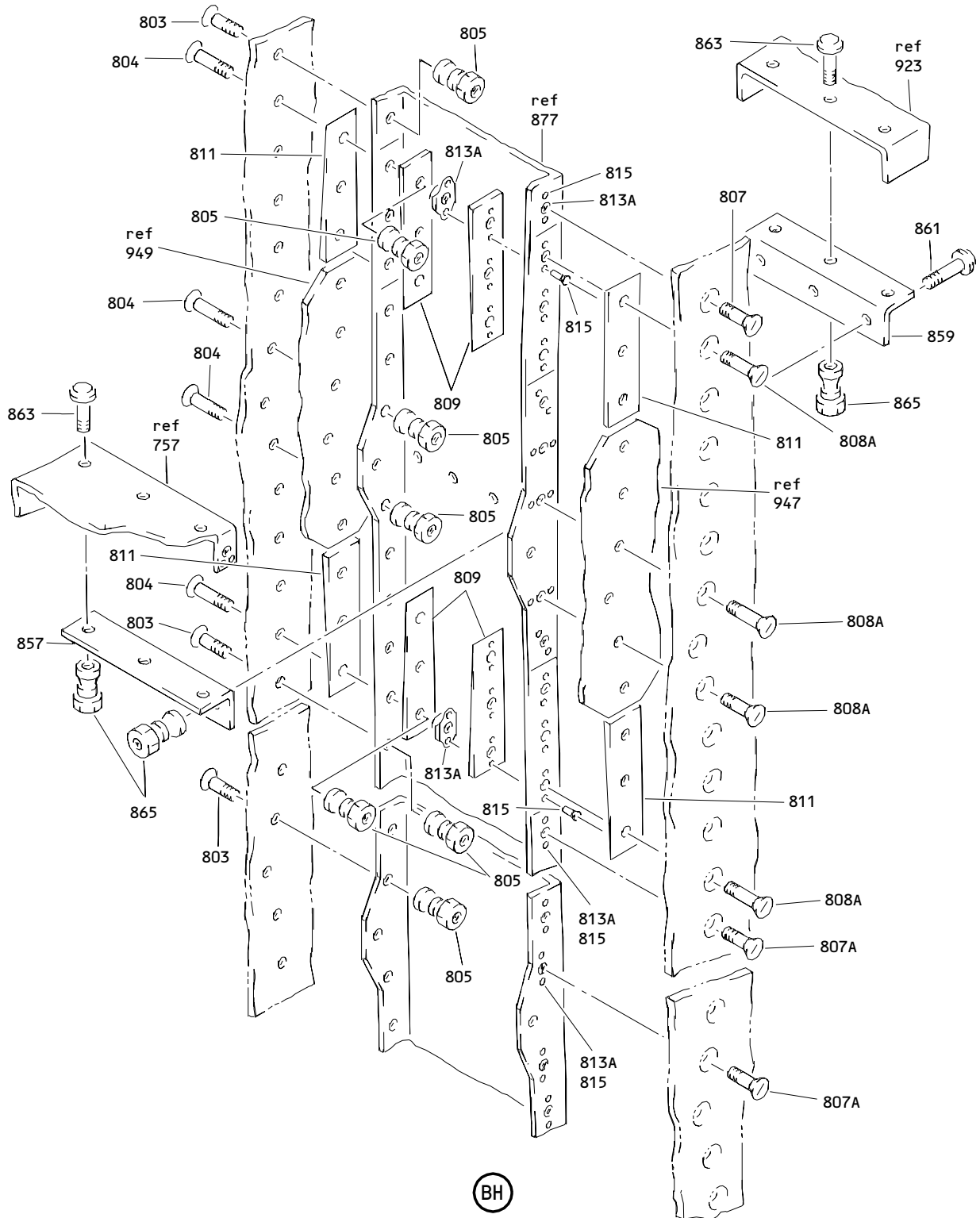
ILLUSTRATED PARTS LIST  
01.1 Page 1044S  
Nov 01/00



Rudder Assembly  
Figure 1 (Sheet 25)

**55-40-13**

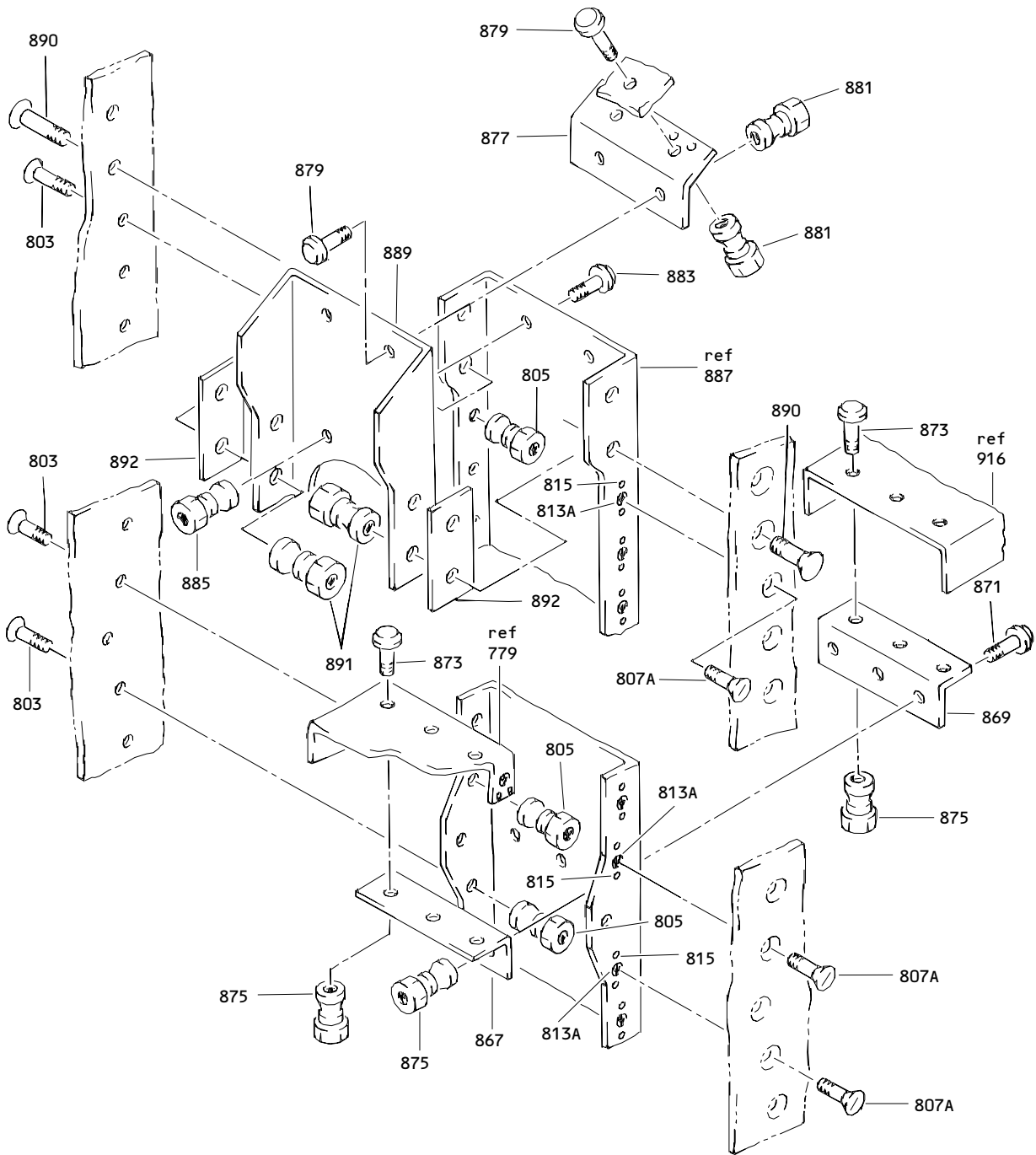
ILLUSTRATED PARTS LIST  
01.1 Page 1044T  
Nov 01/00



Rudder Assembly  
Figure 1 (Sheet 26)

**55-40-13**

ILLUSTRATED PARTS LIST  
01.1 Page 1044U  
Nov 01/00



(BJ)

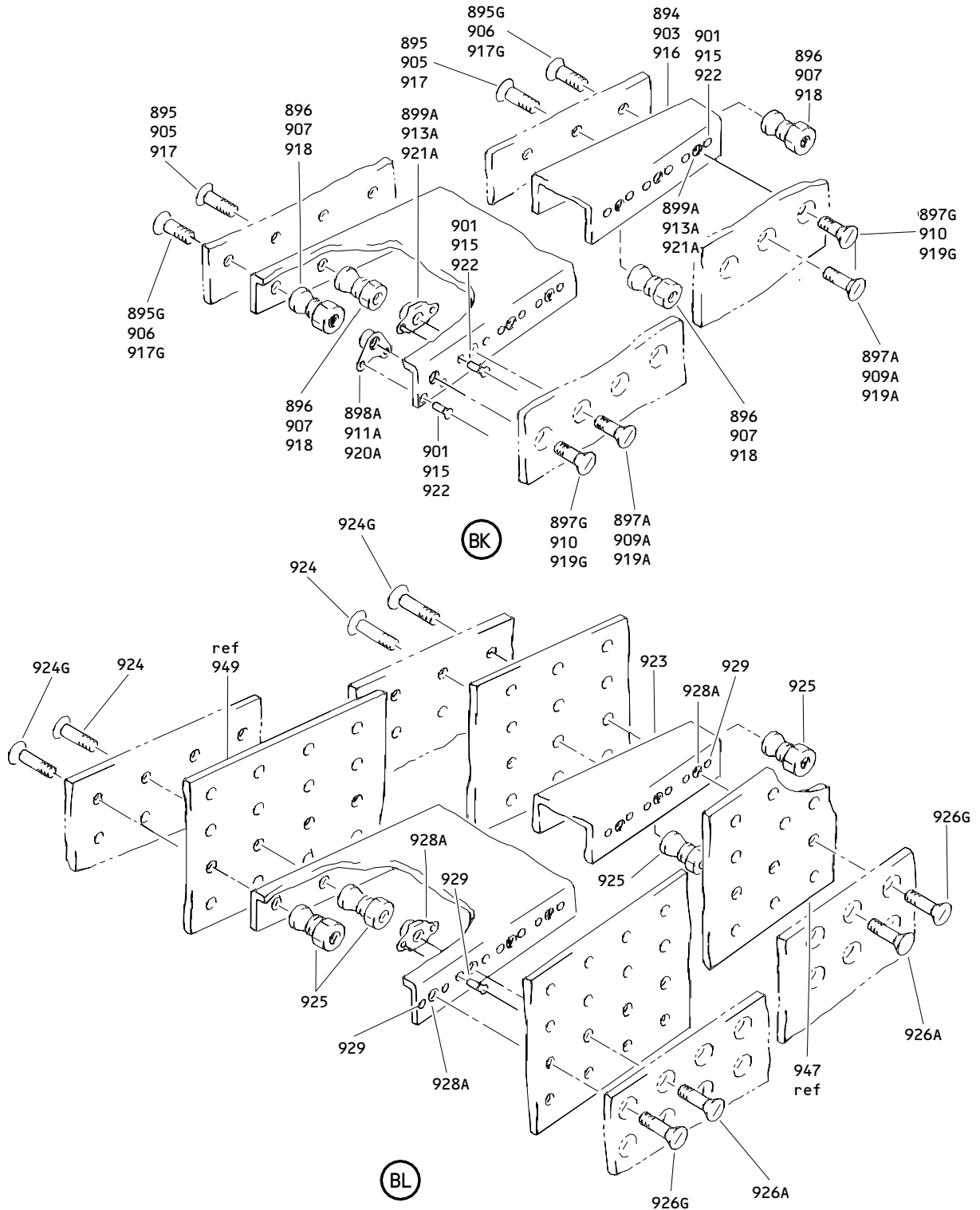
Rudder Assembly  
 Figure 1 (Sheet 27)

**55-40-13**

ILLUSTRATED PARTS LIST  
 01.1 Page 1044V  
 Nov 01/00



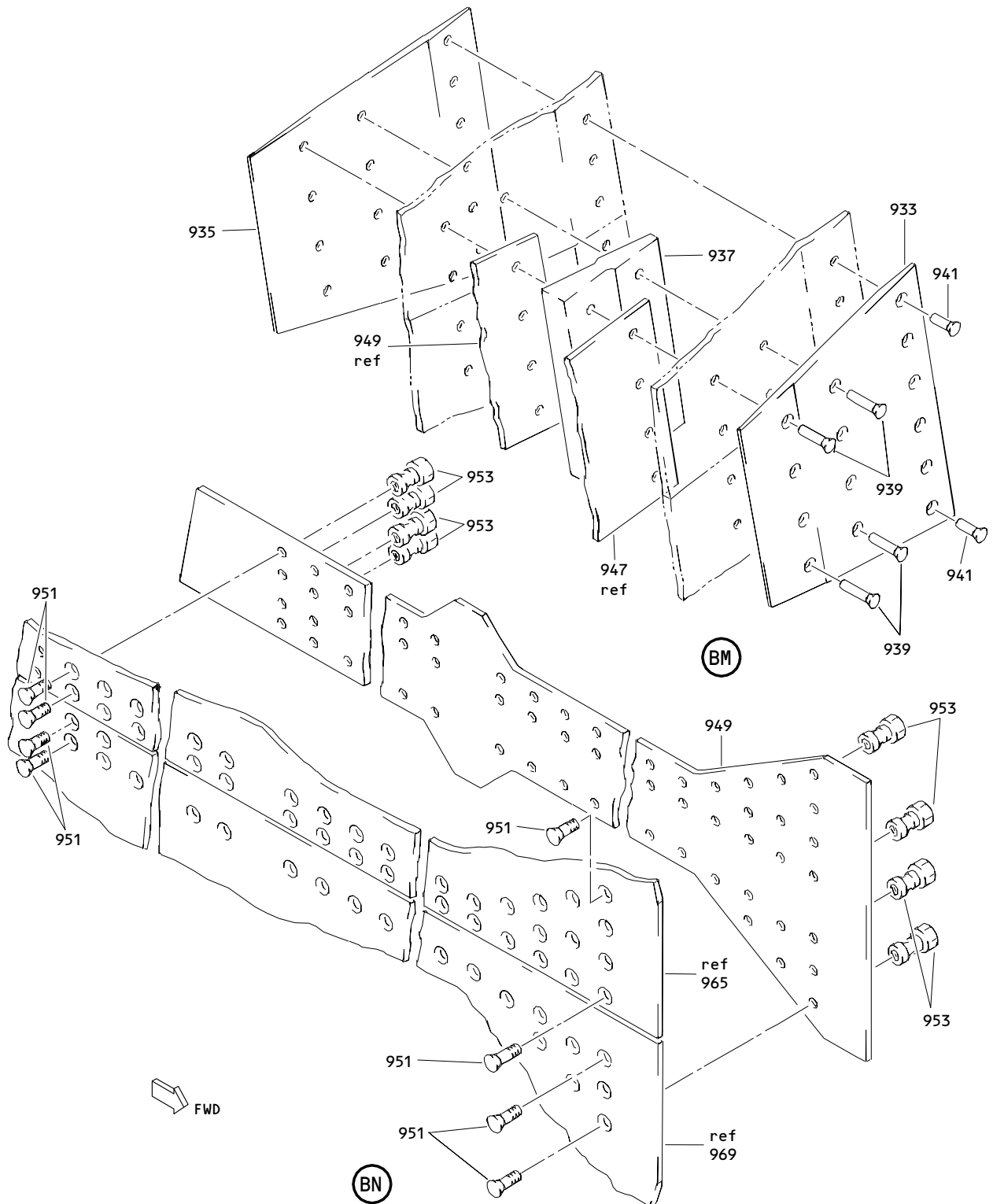
**BOEING**  
 COMPONENT  
 MAINTENANCE MANUAL



Rudder Assembly  
 Figure 1 (Sheet 28)

**55-40-13**

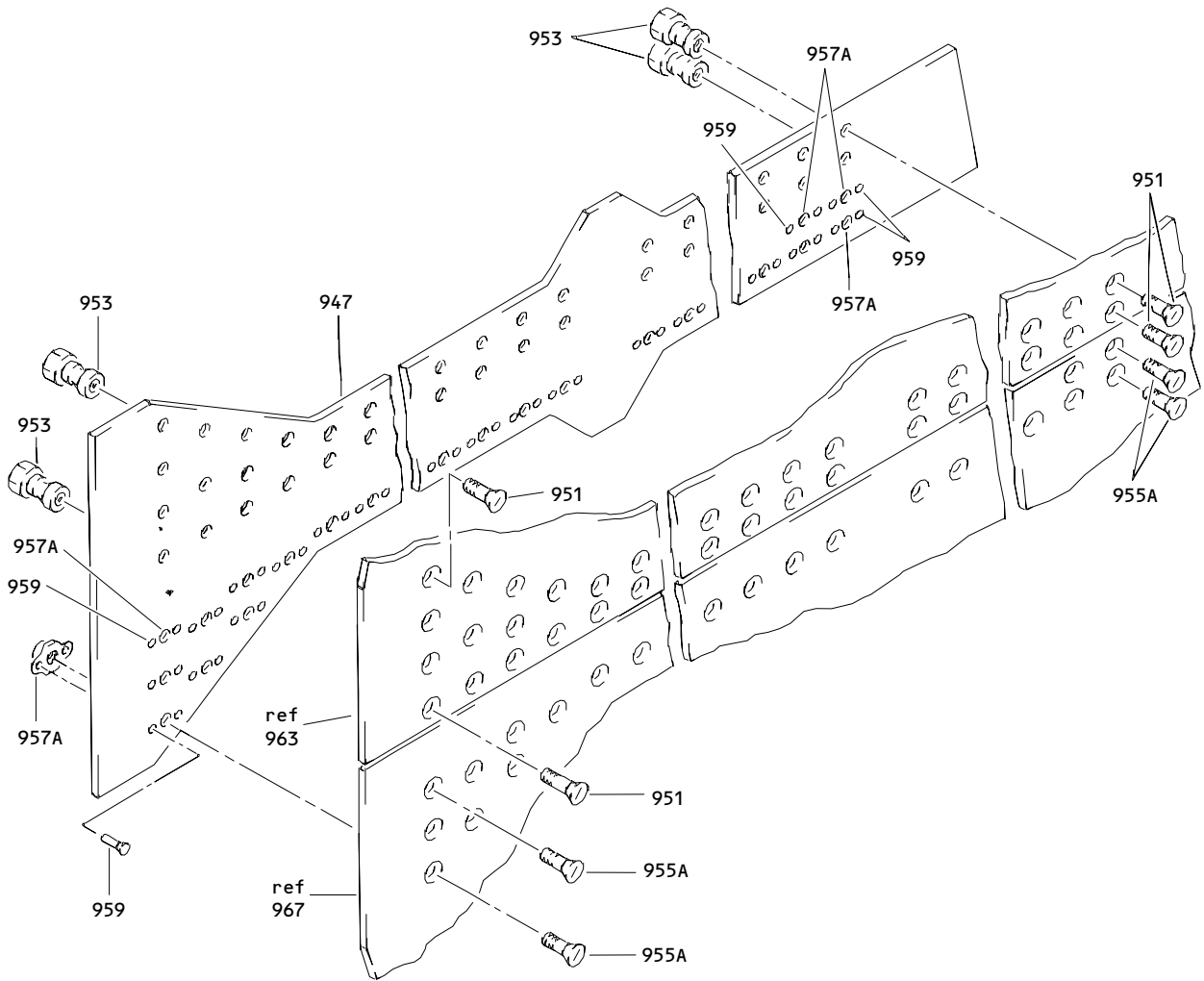
ILLUSTRATED PARTS LIST  
 01.1 Page 1044W  
 Nov 01/00



**Rudder Assembly  
 Figure 1 (Sheet 29)**

**55-40-13**

**ILLUSTRATED PARTS LIST  
 01.1 Page 1044X  
 Nov 01/00**

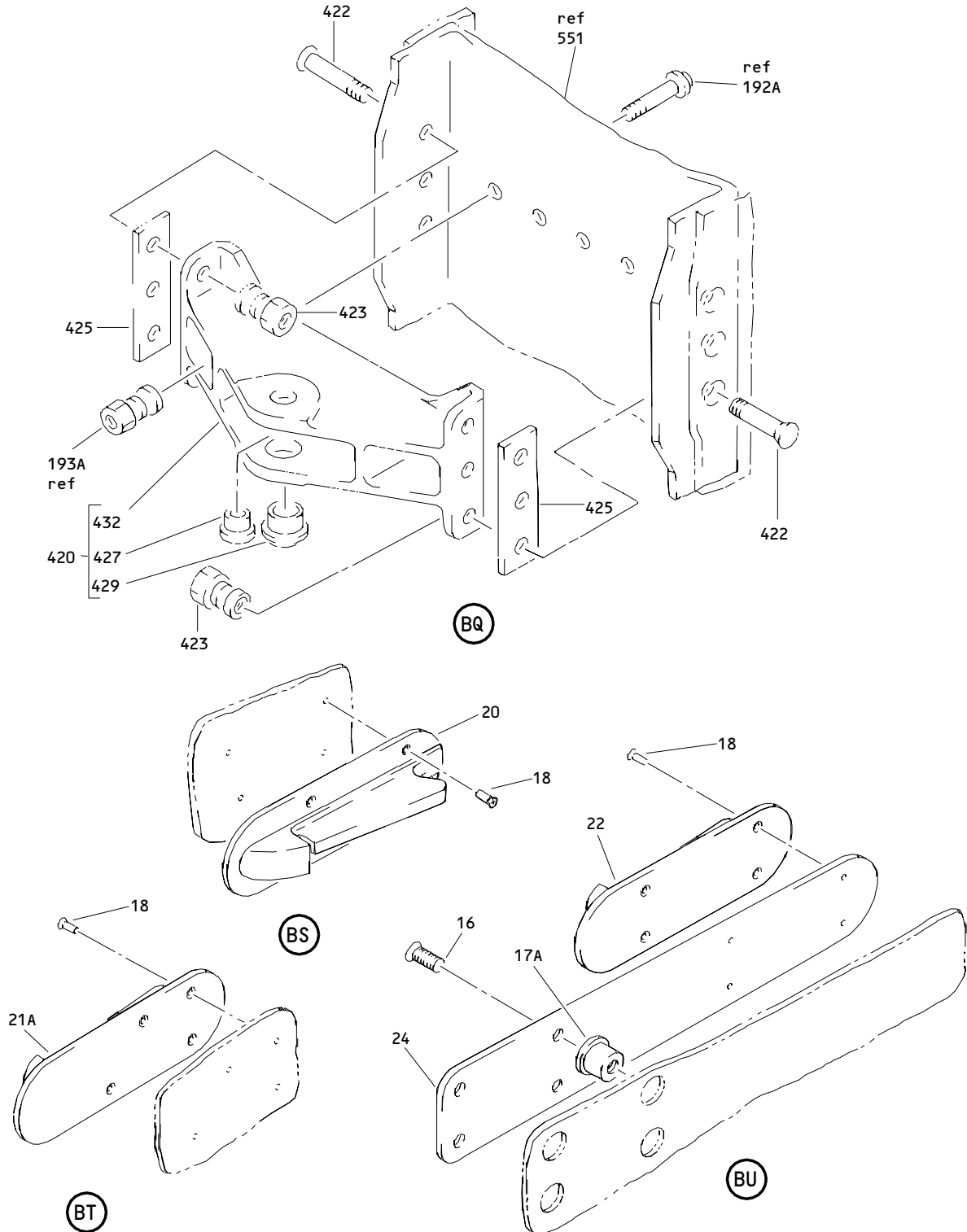


BP

Rudder Assembly  
Figure 1 (Sheet 30)

**55-40-13**

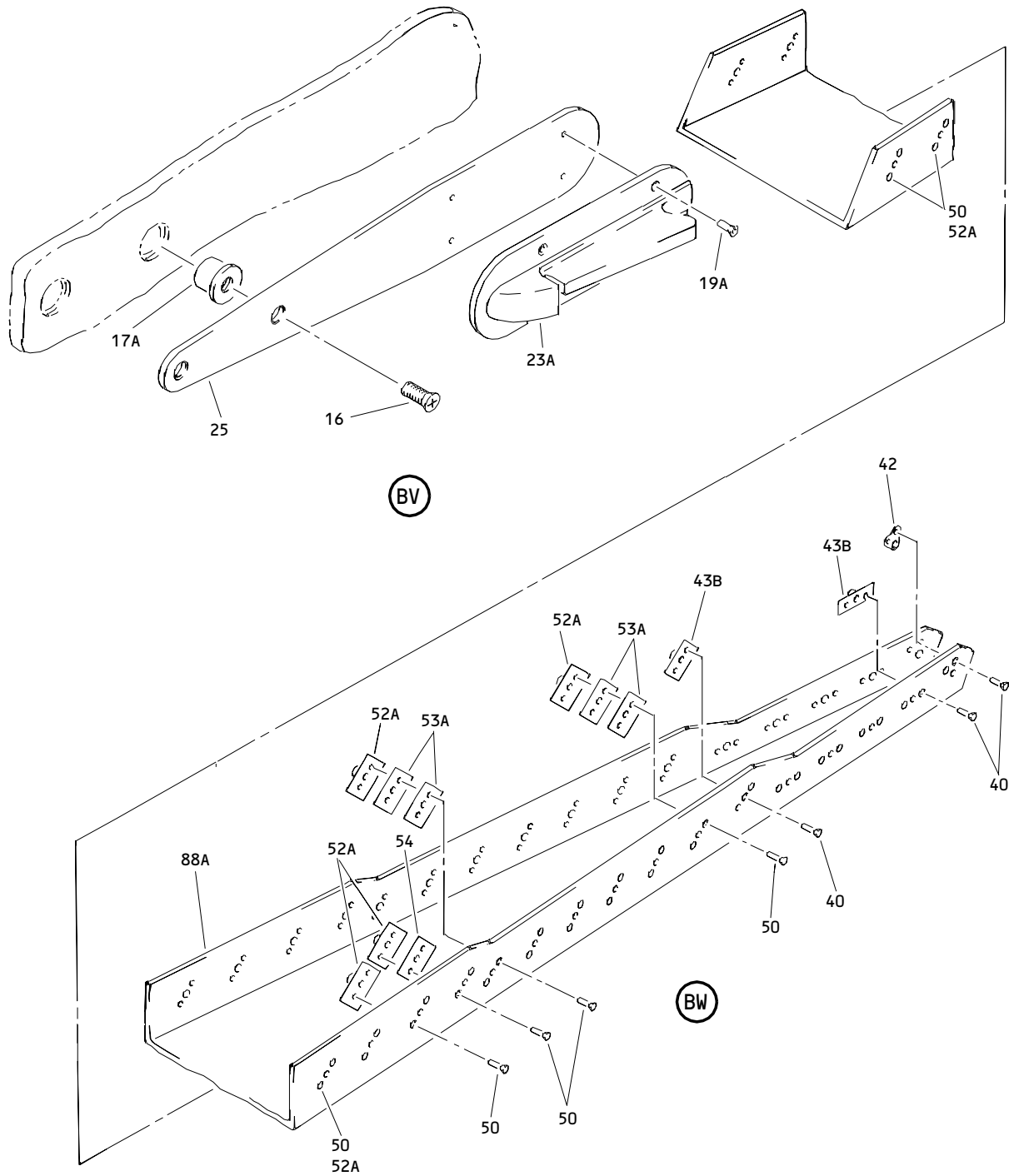
ILLUSTRATED PARTS LIST  
01.1 Page 1044Y  
Nov 01/00



Rudder Assembly  
 Figure 1 (Sheet 31)

**55-40-13**

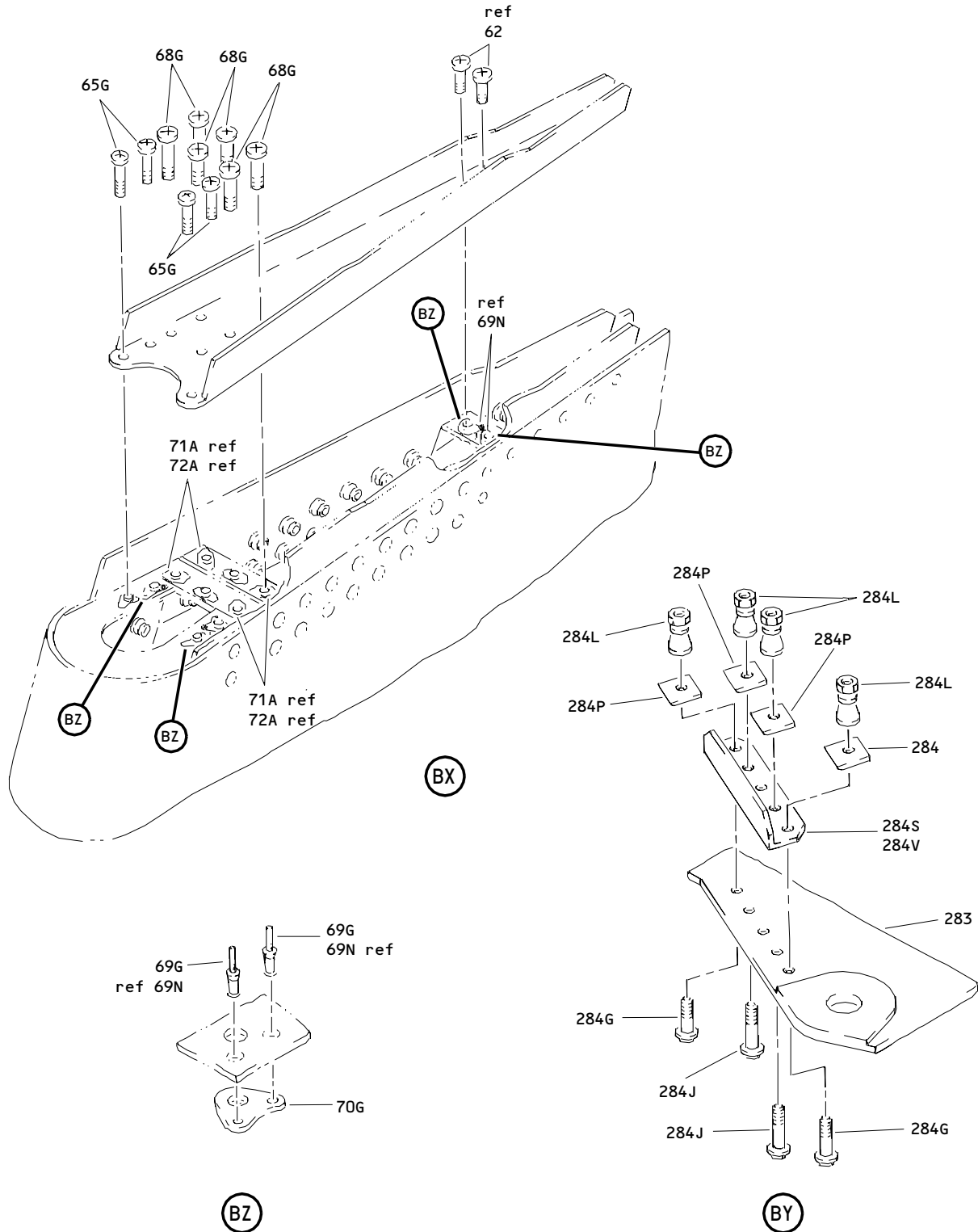
ILLUSTRATED PARTS LIST  
 01.1 Page 1044Z  
 Nov 01/00



Rudder Assembly  
Figure 1 (Sheet 32)

**55-40-13**

ILLUSTRATED PARTS LIST  
01.1 Page 1045  
Nov 01/00



Rudder Assembly  
 Figure 1 (Sheet 33)

**55-40-13**

ILLUSTRATED PARTS LIST  
 01.1 Page 1046  
 Nov 01/00


**BOEING**  
 COMPONENT  
 MAINTENANCE MANUAL

| FIG. & ITEM | PART NO.      | AIRLINE PART NUMBER | NOMENCLATURE<br>1234567   | EFF CODE | QTY PER ASSY |
|-------------|---------------|---------------------|---|----------|--------------|
| R 01-       |               |                     |   |          |              |
| R -1A       | 173T2001-4    |                     | RUDDER ASSY   | A        | RF           |
| R -1B       | 173T2001-10   |                     | RUDDER ASSY-<br>(PRE SB 767-51-0010 AND<br>SB 767-51-0012)                                    | B        | RF           |
| -1C         | 173T2001-13   |                     | DELETED   |          |              |
| -1D         | 173T2001-23   |                     | RUDDER ASSY-<br>(POST SB 767-51-0010)<br>(FOR DETAILS SEE FIG, 5)                             | C        | RF           |
| R -1E       | 173T2001-29   |                     | RUDDER ASSY-<br>(FOR DETAILS SEE FIG. 6)  | D        | RF           |
| R -3        | 173T2001-5001 |                     | .RUDDER ASSY-<br>(REPLD BY ITEMS 3A, 3B)  | A        | 1            |
| R -3A       | 173T2001-5002 |                     | .RUDDER ASSY-<br>(REPLS ITEM 3)<br>(REPLD BY ITEM 3B)   | A        | 1            |
| R -3B       | 173T2001-5003 |                     | .RUDDER ASSY-<br>(REPLS ITEMS 3, 3A)  | A        | 1            |
| -3D         | 173T2001-5004 |                     | .RUDDER ASSY-<br>(LIMITED)  | B        | 1            |
| -3E         | 173T2001-5005 |                     | .RUDDER ASSY-<br>(LIMITED)  | B        | 1            |
| R -4        | 173T2002-1    |                     | ..TIP INSTL-<br>(REWORK DWG<br>173T2091-1)<br>(USED ON ITEM 3)<br>(FOR DETAILS SEE<br>FIG. 3) | A        | 1            |
| R -4G       | 173T2002-5    |                     | ..TIP INSTL-<br>(USED ON ITEMS 3A, 3B)<br>(FOR DETAILS SEE<br>FIG. 4)                         | A,B      | 1            |

55-40-13

 ILLUSTRATED PARTS LIST  
 01.1 Page 1046A  
 Nov 01/00

| FIG. & ITEM | PART NO.       | AIRLINE PART NUMBER | NOMENCLATURE<br>1234567   | EFF CODE | QTY PER ASSY |
|-------------|----------------|---------------------|---|----------|--------------|
| 01-         |                |                     |   |          |              |
| R 16        | BACS12ER06K4   |                     | ..SCREW   | A,B      | 8            |
| R 17A       | NAS1836C06-08M |                     | ..INSERT  | A,B      | 8            |
| R 18        | BACR15CE5AD    |                     | ..RIVET-<br>(SIZE DETERMINE ON INST)  | A,B      | 12           |
| R 19A       | BACR15GA5-4    |                     | ..RIVET   | A,B      | 8            |
| R 20        | 173T2001-3     |                     | ..RETAINER  | A,B      | 1            |
| R 21A       | 173T2001-6     |                     | ..RETAINER  | A,B      | 1            |
| R 22        | 173T2001-2     |                     | ..RETAINER  | A,B      | 1            |
| R 23A       | 173T2001-7     |                     | ..RETAINER  | A,B      | 2            |
| R 24        | 173T2057-1     |                     | ..PLATE-MTG   | A,B      | 1            |
| R 25        | 173T2057-2     |                     | ..PLATE-MTG   | A,B      | 2            |
| R 26G       | 173T2048-5     |                     | ..FITTING ASSY-TIP<br>ATTACHING PARTS   | A,B      | 1            |
| R 27A       | BACB30NU3K4    |                     | ..BOLT  | A,B      | 3            |
| R 27G       | BACB30LL3-4    |                     | ..BOLT  | A,B      | 2            |
| R 28        | BACB30NU3K3    |                     | ..BOLT  | A,B      | 1            |
| R 28G       | BACW10DM6P     |                     | ..WASHER<br>-----*-----   | A,B      | 2            |
| R 31A       | AF5141-3-2     |                     | ...RIVET-<br>(V53551)<br>(SPEC BACR15DR3A2)<br>(OPT RV541A3-2<br>(V98996))<br>(OPT CCR264CS3-2TT<br>(V11815))   | A,B      | 12           |
| R 32A       | BRF200C3D      |                     | ...NUTPLATE-<br>(V52828)<br>(SPEC BACN10JR3CFD)<br>(OPT K51602-3BAC<br>(V15653))<br>(OPT NS202476-02<br>(V80539))<br>(OPT 102F9201-3<br>(V72962))<br>(OPT T8092C1032CD<br>(V11815)) | A,B      | 2            |

55-40-13

 ILLUSTRATED PARTS LIST  
 01.1 Page 1046B  
 Nov 01/00




**BOEING**  
 COMPONENT  
 MAINTENANCE MANUAL

| FIG. & ITEM | PART NO.      | AIRLINE PART NUMBER | NOMENCLATURE<br>1234567  | EFF CODE | QTY PER ASSY |
|-------------|---------------|---------------------|--|----------|--------------|
| R 01-34     | NS202495-02   |                     | ...NUTPLATE-<br>(V80539)<br>(SPEC BACN10KE3DCD)<br>(OPT F51753-3CD<br>(V15653))  | A,B      | 4            |
| R 35A       | BACR15BA3AD3  |                     | ...RIVET   | A,B      | 20           |
| R 35G       | NS202493-02-3 |                     | ...NUTPLATE-<br>(V80539)<br>(SPEC BACN10KE3B3CD)<br>(OPT 102A9213-3-3<br>(V72962))<br>(OPT F51747-3-3CD<br>(V15653))<br>(OPT BRFR220C3-3D<br>(V52828)) | A,B      | 10           |
| R 36G       | 173T2048-3    |                     | ...FITTING   | A,B      | 1            |
| R -38       | 173T2001-1    |                     | ..RUDDER ASSY-<br>(USED ON ITEM 3)   | A        | 1            |
| R -38A      | 173T2001-8    |                     | ..RUDDER ASSY-<br>(USED ON ITEM 3B)  | A        | 1            |
| R -38B      | 173T2001-9    |                     | ..RUDDER ASSY-<br>(USED ON ITEM 3A)  | A        | 1            |
| R -38C      | 173T2001-11   |                     | ..RUDDER ASSY-<br>(USED ON ITEM 3D)  | B        | 1            |
| R -38D      | 173T2001-12   |                     | ..RUDDER ASSY-<br>(USED ON ITEM 3E)  | B        | 1            |
| R 40        | AF5141-3-2    |                     | ...RIVET-<br>(V53551)<br>(SPEC BACR15DR3A2)<br>(OPT RV541A3-2<br>(V98996))<br>(OPT CCR264CS3-2TT<br>(V11815))  | A,B      | 24           |
| R 42        | NS202495-02   |                     | ...NUTPLATE-<br>(V80539)<br>(SPEC BACN10KE3DCD)<br>(OPT F51753-3CD<br>(V15653))  | A,B      | 2            |

55-40-13

 ILLUSTRATED PARTS LIST  
 01.1 Page 1046C  
 Nov 01/00

| FIG. & ITEM | PART NO.   | AIRLINE PART NUMBER | NOMENCLATURE<br>1234567   | EFF CODE | QTY PER ASSY |
|-------------|------------|---------------------|---|----------|--------------|
| R 01-43B    | BRF200C3D  |                     | ...NUTPLATE-<br>(V52828)<br>(SPEC BACN10JR3CFD)<br>(OPT K51602-3BAC<br>(V15653))<br>(OPT NS202476-02<br>(V80539))<br>(OPT 102F9201-3<br>(V72962))<br>(OPT T8092C1032CD<br>(V11815)) | A,B      | 10           |
| R 50        | AF5141-3-5 |                     | ...RIVET-<br>(V53551)<br>(SPEC BACR15DR3A5)<br>(OPT RV541A3-5<br>(V98996))<br>(OPT CCR264CS3-5TT<br>(V11815))<br>(USED WITH ITEMS 60,<br>60B)                                       | A        | 48           |
| R -50A      | AF5141-3-2 |                     | ...RIVET-<br>(V53551)<br>(SPEC BACR15DR3A2)<br>(OPT RV541A3-2<br>(V98996))<br>(OPT CCR264CS3-2TT<br>(V11815))<br>(USED WITH ITEMS 60A,<br>60C)                                      | A,B      | 48           |

# 55-40-13

 ILLUSTRATED PARTS LIST  
 01.1 Page 1046D  
 Nov 01/00


**BOEING**  
 COMPONENT  
 MAINTENANCE MANUAL

| FIG. & ITEM | PART NO.       | AIRLINE PART NUMBER | NOMENCLATURE<br>1234567   | EFF CODE | QTY PER ASSY |
|-------------|----------------|---------------------|---|----------|--------------|
| R 01-52A    | BRF200C4D      |                     | ...NUTPLATE-<br>(V52828)<br>(SPEC BACN10JR4CFD)<br>(OPT K51602-4BAC<br>(V15653))<br>(OPT NS202476-048<br>(V80539))<br>(OPT 102F9201-4<br>(V72962))<br>(OPT T8092C428CD<br>(V11815))<br>(USED WITH ITEMS 60,<br>60B)                         | A        | 24           |
| R -52B      | NS202493-048-4 |                     | ...NUTPLATE-<br>(V80539)<br>(SPEC BACN10KE4B4CD)<br>(OPT 102A9219-4-4<br>(V72962))<br>(OPT F51747-4-4CD<br>(V15653))<br>(OPT 102A9213-4-4<br>(V72962))<br>(OPT BRFR220C4-4D<br>(V52825))<br>(OPT ITEM 52C)<br>(USED WITH ITEMS 60A,<br>60C) | A,B      | 24           |
| -52C        | F51747-4-4DL   |                     | ...NUTPLATE-<br>(V15653)<br>(SPEC BACN10KE4B4CM)<br>(OPT 104F9213-4-4<br>(V72962))<br>(OPT NS103191SE048-4<br>(V80539))<br>(OPT BRFR220C4-4M<br>(V52825))<br>(OPT ITEM 52B)<br>(USED WITH ITEMS 60A,<br>60C)                                | A,B      | 24           |
| R 53A       | NAS463XC416H   |                     | ...SPACER-<br>(USED WITH ITEMS 60,<br>60B)  | A        | 24           |
| R 54        | NAS463XC416M   |                     | ...SPACER-<br>(USED WITH ITEMS 60,<br>60B)  | A        | 2            |

55-40-13

 ILLUSTRATED PARTS LIST  
 01.1 Page 1046E  
 Nov 01/00

| FIG. & ITEM | PART NO.    | AIRLINE PART NUMBER | NOMENCLATURE<br>1234567  | EFF CODE | QTY PER ASSY |
|-------------|-------------|---------------------|--|----------|--------------|
| R 01-60     | 173T2033-1  |                     | ...RIB INSTL-UPR CLOSURE<br>(REWORK DWG<br>173T2091-1)<br>(USED ON ITEM 38)  | A        | 1            |
| R -60A      | 173T2033-2  |                     | ...RIB INSTL-UPR CLOSURE<br>(USED ON ITEM 38A)   | A,B      | 1            |
| R -60B      | 173T2033-1  |                     | ...RIB INSTL-PR CLOSURE<br>(REWORK DWG<br>173T2091-1)<br>(OPT ITEM 60C)<br>(USED ON ITEM 38B)  | A        | 1            |
| R -60C      | 173T2033-2  |                     | ...RIB INSTL-UPR CLOSURE<br>(OPT ITEM 60B)<br>(USED ON ITEM 38B)   | A        | 1            |
| R 62        | BACB30NT3K3 |                     | ....BOLT   | A,B      | 2            |
| R 64        | BACB30NT3K6 |                     | ....BOLT-<br>(USED ON ITEMS 60, 60B)   | A        | 1            |
| R 65A       | BACB30NT3K7 |                     | ....BOLT-<br>(USED ON ITEMS 60, 60B)   | A        | 1            |
| R 65G       | BACB30NT3K3 |                     | ....BOLT-<br>(USED ON ITEMS 60A, 60C)  | A,B      | 4            |
| R 66        | BACB30NT4K5 |                     | ....BOLT-<br>(USED ON ITEMS 60, 60B)   | A        | 2            |
| R 67A       | BACB30NT4K6 |                     | ....BOLT-<br>(USED ON ITEMS 60, 60B)   | A        | 2            |
| R 68        | BACB30NT4K8 |                     | ....BOLT-<br>(USED ON ITEMS 60, 60B)   | A        | 2            |
| R 68G       | BACB30NT4K4 |                     | ....BOLT-<br>(USED ON ITEMS 60A, 60C)  | A,B      | 6            |
| R 69A       | AF5141-3-1  |                     | ....RIVET-<br>(V53551)<br>(SPEC BACR15DR3A1)<br>(OPT RV541A3-1<br>(V98996))<br>(OPT CCR264CS3-1TT<br>(V11815))<br>(USED ON ITEMS 60, 60B)  | A        | 4            |
| R 69G       | AF5141-3-1  |                     | ....RIVET-<br>(V53551)<br>(SPEC BACR15DR3A1)<br>(OPT RV541A3-1<br>(V98996))<br>(OPT CCR264CS3-1TT<br>(V11815))<br>(USED ON ITEMS 60A, 60C) | A,B      | 8            |

55-40-13

ILLUSTRATED PARTS LIST

01.1 Page 1046F

Nov 01/00


**BOEING**  
 COMPONENT  
 MAINTENANCE MANUAL

| FIG. & ITEM | PART NO.    | AIRLINE PART NUMBER | NOMENCLATURE<br>1234567  | EFF CODE | QTY PER ASSY |
|-------------|-------------|---------------------|--|----------|--------------|
| R 01-69N    | AF5141-3-2  |                     | ....RIVET-<br>(V53551)<br>(SPEC BACR15DR3A2)<br>(OPT RV541A3-2<br>(V98996))<br>(OPT CCR264CS3-2TT<br>(V11815))   | A,B      | 4            |
| R 70        | NS202495-02 |                     | ....NUTPLATE-<br>(V80539)<br>(SPEC BACN10KE3DCD)<br>(OPT F51753-3CD<br>(V15653))<br>(USED ON ITEMS 60, 60B)  | A        | 4            |
| R 70G       | NS202495-02 |                     | ....NUTPLATE-<br>(V80539)<br>(SPEC BACN10KE3DCD)<br>(OPT F51753-3CD<br>(V15653))<br>(USED ON ITEMS 60A, 60C)   | A,B      | 6            |
| R 71A       | AF5141-3-2  |                     | ....RIVET-<br>(V53551)<br>(SPEC BACR15DR3A2)<br>(OPT RV541A3-2<br>(V98996))<br>(OPT CCR264CS3-2TT<br>(V11815))   | A,B      | 12           |
| R 72A       | BRF200C4D   |                     | ....NUTPLATE-<br>(V52828)<br>(SPEC BACN10JR4CFD)<br>(OPT K51602-4BAC<br>(V15653))<br>(OPT NS202476-048<br>(V80539))<br>(OPT 102F9201-4<br>(V72962))<br>(OPT T8092C428CD<br>(V11815)) | A,B      | 6            |
| R 75        | 173T2055-7  |                     | ....BOND ASSY-ANGLE<br>(REWORK DWG<br>173T2091-1)<br>(USED ON ITEMS 60, 60B)   | A        | 1            |

55-40-13

 ILLUSTRATED PARTS LIST  
 01.1 Page 1046G  
 Nov 01/00

| FIG. & ITEM | PART NO.    | AIRLINE PART NUMBER | NOMENCLATURE<br>1234567   | EFF CODE | QTY PER ASSY |
|-------------|-------------|---------------------|---|----------|--------------|
| 01-         |             |                     |   |          |              |
| R 77        | L8006K6     |                     | ATTACHING PARTS<br>....BOLT-<br>(V06725)<br>(SPEC BACB30MY6K6)<br>(OPT HL10VAZ6-6<br>(VOPTK6))<br>(USED ON ITEMS 60, 60B)                           | A        | 3            |
| R 78        | HL97DU6     |                     | ....COLLAR-<br>(V73197)<br>(SPEC BACC30AB6S)<br>(OPT HL97DU6<br>(V92215))<br>(OPT HL97DU6<br>(V56878))<br>(OPT ITEM 78A)<br>(USED ON ITEMS 60, 60B) | A        | 3            |
| -78A        | KFN305C3    |                     | ....NUT-<br>(V15653)<br>(OPT ITEM 78)<br>(USED ON ITEMS 60, 60B)<br>-----*  | A        | 3            |
| R 79        | 173T2055-2  |                     | ....BOND ASSY-ANGLE<br>(USED ON ITEMS 60, 60B)  | A        | 1            |
| R 84        | BACB30MY6K5 |                     | ATTACHING PARTS<br>....BOLT-<br>(USED ON ITEMS 60, 60B)   | A        | 3            |
| R 86        | HL97DU6     |                     | ....COLLAR-<br>(V73197)<br>(SPEC BACC30AB6S)<br>(OPT HL97DU6<br>(V92215))<br>(OPT HL97DU6<br>(V56878))<br>(OPT ITEM 86A)<br>(USED ON ITEMS 60, 60B) | A        | 3            |
| -86A        | KFN305C3    |                     | ....NUT-<br>(V15653)<br>(OPT ITEM 86)<br>(USED ON ITEMS 60, 60B)<br>-----*  | A        | 3            |

55-40-13

 ILLUSTRATED PARTS LIST  
 01.1 Page 1046H  
 Nov 01/00


**BOEING**  
 COMPONENT  
 MAINTENANCE MANUAL

| FIG. & ITEM | PART NO.   | AIRLINE PART NUMBER | NOMENCLATURE<br>1234567   | EFF CODE | QTY PER ASSY |
|-------------|------------|---------------------|---|----------|--------------|
| R 01-88A    | 173T2091-2 |                     | ....BOND ASSY-TIP<br>(REWORK DWG<br>173T2091-1)<br>(USED ON ITEMS 60, 60B)  | A        | 1            |
| R 88G       | 173T2055-8 |                     | ....BOND ASSY-<br>(USED ON ITEMS 60A, 60C)  | A,B      | 1            |
| R 90        | 173T2055-5 |                     | ....PLATE-SKIN SPLICE   | A,B      | 1            |
| R 92        | 173T2055-6 |                     | ....PLATE-SKIN SPLICE<br>ATTACHING PARTS  | A,B      | 1            |
| R 94A       | HL11VAZ6-4 |                     | ....BOLT-<br>(V56878)<br>(SPEC BACB30NW6K4)<br>(OPT HL11V6-4<br>(V92215))<br>(OPT HL11V6-4<br>(V97928))<br>(OPT L803-6-4<br>(V06725))<br>(OPT B30NW6K4<br>(V97928))<br>(OPT HL11VAZ6-4<br>(V73197))<br>(OPT HL11VAZ6-4<br>(V92215))<br>(OPT HL11VAZ6-4<br>(V97928))     | A,B      | 14           |
| R 96        | HL11VAZ8-4 |                     | ....BOLT-<br>(V56878)<br>(SPEC BACB30NW8K4)<br>(OPT B30NW8K4<br>(V97928))<br>(OPT HL11VAZ8-4<br>(V73197))<br>(OPT HL11VAZ8-4<br>(V92215))<br>(OPT HL11VAZ8-4<br>(V97928))<br>(OPT L803-8K4<br>(V06725))<br>(OPT HL11VAZ8-4<br>(V0PTK6))<br>(OPT HL11VAZ8-4<br>(V60516)) | A,B      | 26           |

55-40-13

 ILLUSTRATED PARTS LIST  
 01.1 Page 1046I  
 Nov 01/00

| FIG. & ITEM | PART NO.   | AIRLINE PART NUMBER | NOMENCLATURE<br>1234567   | EFF CODE | QTY PER ASSY |
|-------------|------------|---------------------|---|----------|--------------|
| R 01-98     | HL11VAZ8-5 |                     | ....BOLT-<br>(V56878)<br>(SPEC BACB30NW8K5)<br>(OPT B30NW8K5<br>(V97928))<br>(OPT HL11VAZ8-5<br>(V73197))<br>(OPT HL11VAZ8-5<br>(V92215))<br>(OPT HL11VAZ8-5<br>(V97928))<br>(OPT L803-8K5<br>(V06725))<br>(OPT HL11VAZ8-5<br>(VOPTK6))<br>(OPT HL11VAZ8-5<br>(V60516)) | A,B      | 4            |
| R 100       | HL11VAZ8-7 |                     | ....BOLT-<br>(V56878)<br>(SPEC BACB30NW8K7)<br>(OPT B30NW8K7<br>(V97928))<br>(OPT HL11VAZ8-7<br>(V73197))<br>(OPT HL11VAZ8-7<br>(V92215))<br>(OPT HL11VAZ8-7<br>(V97928))<br>(OPT L803-8K7<br>(V06725))<br>(OPT HL11VAZ8-7<br>(VOPTK6))<br>(OPT HL11VAZ8-7<br>(V60516)) | A,B      | 4            |

55-40-13

ILLUSTRATED PARTS LIST

01.1 Page 1046J

Nov 01/00




**BOEING**  
 COMPONENT  
 MAINTENANCE MANUAL

| FIG. & ITEM | PART NO.   | AIRLINE PART NUMBER | NOMENCLATURE<br>1234567  | EFF CODE | QTY PER ASSY |
|-------------|------------|---------------------|--|----------|--------------|
| R 01-100G   | HL441UC8-4 |                     | ....BOLT-<br>(V56878)<br>(SPEC BACB30FN8A4)<br>(OPT HL441UC8-4<br>(V73197))<br>(OPT HL441UC8-4<br>(V92215))<br>(OPT HL441UC8-4<br>(V97928))<br>(OPT HL41PY8-4<br>(V80539))<br>(OPT HL441N8-4<br>(V80539))<br>(OPT HL441UC8-4<br>(V80539))<br>(OPT WC1318-4<br>(V60516))<br>(OPT 67068-8A4<br>(V56878))<br>(OPT HL441UC8-4<br>(V08524))<br>(OPT L839-8A4<br>(V06725)) | A,B      | 2            |
| R 101G      | BACW10DM8P |                     | ....WASHER   | A,B      | 2            |
| R 102       | HL97DU6    |                     | ....COLLAR-<br>(V73197)<br>(SPEC BACC30AB6S)<br>(OPT HL97DU6<br>(V92215))<br>(OPT HL97DU6<br>(V56878))<br>(OPT ITEM 102A)  | A,B      | 14           |

55-40-13

 ILLUSTRATED PARTS LIST  
 01.1 Page 1046K  
 Nov 01/00

| FIG. & ITEM  | PART NO.    | AIRLINE PART NUMBER | NOMENCLATURE<br>1234567   | EFF CODE | QTY PER ASSY |
|--------------|-------------|---------------------|---|----------|--------------|
| 01-<br>-102A | KFN305C3    |                     | ....NUT-<br>(V15653)<br>(OPT ITEM 102)  | A,B      | 14           |
| R 104        | HL97DU8     |                     | ....COLLAR-<br>(V73197)<br>(SPEC BACC30AB8S)<br>(OPT HL97DU8<br>(V92215))<br>(OPT HL97DU8<br>(V56878))<br>-----*  | A,B      | 36           |
| R 107        | 173T2014-1  |                     | ...DOOR ASSY-INSPECTION<br>ATTACHING PARTS  | A,B      | 3            |
| R 108        | BACB30NN3R3 |                     | ...BOLT<br>-----*   | A,B      | 24           |
| R 109A       | 173T2014-3  |                     | ....SCREW   | A,B      | 1            |
| R 110        | MS24665-151 |                     | ....PIN   | A,B      | 1            |
| R 111        | NAS500WC10  |                     | ....SPACER  | A,B      | 1            |
| R 112A       | BRF200C3D   |                     | ....NUTPLATE-F-<br>(V52828)<br>(SPEC BACN10JR3CFD)<br>(OPT K51602-3BAC<br>(V15653))<br>(OPT NS202476-02<br>(V80539))<br>(OPT 102F9201-3<br>(V72962))<br>(OPT T8092C1032CD<br>(V11815))<br>ATTACHING PARTS | A,B      | 9            |
| R 113A       | AF5141-3-2  |                     | ....RIVET-<br>(V53551)<br>(SPEC BACR15DR3A2)<br>(OPT RV541A3-2<br>(V98996))<br>(OPT CCR264CS3-2TT<br>(V11815))  | A,B      | 16           |
| R 114        | AF5141-3-3  |                     | ....RIVET-<br>(V53551)<br>(SPEC BACR15DR3A3)<br>(OPT RV541A3-3<br>(V98996))<br>(OPT CCR264CS3-3TT<br>(V11815))<br>-----*  | A,B      | 2            |

55-40-13

 ILLUSTRATED PARTS LIST  
 01.1 Page 1046L  
 Nov 01/00


**BOEING**  
 COMPONENT  
 MAINTENANCE MANUAL

| FIG. & ITEM | PART NO.    | AIRLINE PART NUMBER | NOMENCLATURE<br>1234567  | EFF CODE | QTY PER ASSY |
|-------------|-------------|---------------------|--|----------|--------------|
| R 01-115    | 173T2014-2  |                     | ....BOND ASSY  | A,B      | 1            |
| R -117      | 173T2007-1  |                     | ...PANEL INSTL-LE<br>(FOR DETAILS SEE FIG. 2)<br>(USED ON ITEMS 38, 38B)   | A        | 1            |
| R -117A     | 173T2007-3  |                     | ...PANEL INSTL-LE<br>(USED ON ITEMS 38A, 38C)<br>(FOR DETAILS SEE FIG. 2)  | A,B      | 1            |
| -117B       | 173T2007-5  |                     | ...PANEL INSTL-LE<br>(USED ON ITEM 38D)<br>(FOR DETAILS SEE FIG. 2)  | B        | 1            |
| R 119       | HL11VAZ6-3  |                     | ...BOLT-<br>(V56878)<br>(SPEC BACB30NW6K3)<br>(OPT B30NW6K3<br>(V97928))<br>(OPT HL11VAZ6-3<br>(V73197))<br>(OPT HL11VAZ6-3<br>(V92215))<br>(OPT HL11VAZ6-3<br>(V97928))<br>(OPT L803-6K3<br>(V06725))<br>(OPT HL11VAZ6-3<br>(V0PTK6))<br>(OPT HL11VAZ6-3<br>(V60516)) | A,B      | 10           |
| R 120A      | BACB30MY6K3 |                     | ...BOLT  | A,B      | 47           |
| R 121       | AN960C10L   |                     | ...WASHER  | A,B      | 47           |
| R 122A      | HL97DU6     |                     | ...COLLAR-<br>(V73197)<br>(SPEC BACC30AB6S)<br>(OPT HL97DU6<br>(V92215))<br>(OPT HL97DU6<br>(V56878))<br>(OPT ITEM 122B)   | A,B      | 57           |
| -122B       | KFN305C3    |                     | ...NUT-<br>(V15653)<br>(OPT ITEM 122A)   | A,B      | 57           |
| R -123      | 173T2006-1  |                     | ...SPAR INSTL-FRONT  | A        | 1            |
| R -123A     | 173T2006-2  |                     | ...SPAR INSTL-FRONT  | B        | 1            |

55-40-13

 ILLUSTRATED PARTS LIST  
 01.1 Page 1046M  
 Nov 01/00

| FIG. & ITEM | PART NO.    | AIRLINE PART NUMBER | NOMENCLATURE<br>1234567  | EFF CODE | QTY PER ASSY |
|-------------|-------------|---------------------|--|----------|--------------|
| R 01-125    | 173T2025-1  |                     | ....RIB<br>ATTACHING PARTS   | A,B      | 1            |
| R 127       | BACB30MY6K3 |                     | ....BOLT   | A,B      | 12           |
| R 129       | HL97DU6     |                     | ....COLLAR-<br>(V73197)<br>(SPEC BACC30AB6S)<br>(OPT HL97DU6<br>(V92215))<br>(OPT HL97DU6<br>(V56878))<br>-----* | A,B      | 12           |
| R 131       | 173T2025-2  |                     | ....RIB<br>ATTACHING PARTS   | A,B      | 1            |
| R 133       | BACB30MY8K5 |                     | ....BOLT   | A,B      | 10           |
| R 135A      | HL97DU8     |                     | ....COLLAR-<br>(V73197)<br>(SPEC BACC30AB8S)<br>(OPT HL97DU8<br>(V92215))<br>(OPT HL97DU8<br>(V56878))<br>-----* | A,B      | 10           |
| R 137       | 173T2025-3  |                     | ....RIB<br>ATTACHING PARTS   | A,B      | 1            |
| R 139       | BACB30MY6K3 |                     | ....BOLT   | A,B      | 9            |
| R 141       | HL97DU6     |                     | ....COLLAR-<br>(V73197)<br>(SPEC BACC30AB6S)<br>(OPT HL97DU6<br>(V92215))<br>(OPT HL97DU6<br>(V56878))<br>-----* | A,B      | 9            |
| R 143       | 173T2025-4  |                     | ....RIB<br>ATTACHING PARTS   | A,B      | 6            |
| R 145       | BACB30MY6K3 |                     | ....BOLT   | A,B      | 12           |
| R 147       | HL97DU6     |                     | ....COLLAR-<br>(V73197)<br>(SPEC BACC30AB6S)<br>(OPT HL97DU6<br>(V92215))<br>(OPT HL97DU6<br>(V56878))<br>-----* | A,B      | 12           |

**55-40-13**

ILLUSTRATED PARTS LIST  
01.1 Page 1046N  
Nov 01/00


**BOEING**  
 COMPONENT  
 MAINTENANCE MANUAL

| FIG. & ITEM | PART NO.    | AIRLINE PART NUMBER | NOMENCLATURE<br>1234567  | EFF CODE | QTY PER ASSY |
|-------------|-------------|---------------------|--|----------|--------------|
| R 01-149    | 173T2025-5  |                     | ....RIB<br>ATTACHING PARTS   | A,B      | 1            |
| R 151       | BACB30MY8K7 |                     | ....BOLT   | A,B      | 9            |
| R 153A      | HL97DU8     |                     | ....COLLAR-<br>(V73197)<br>(SPEC BACC30AB8S)<br>(OPT HL97DU8<br>(V92215))<br>(OPT HL97DU8<br>(V56878))<br>-----* | A,B      | 9            |
| R 161       | 173T2025-7  |                     | ....RIB<br>ATTACHING PARTS   | A,B      | 1            |
| R 163       | BACB30MY8K7 |                     | ....BOLT   | A,B      | 7            |
| R 165A      | HL97DU8     |                     | ....COLLAR-<br>(V73197)<br>(SPEC BACC30AB8S)<br>(OPT HL97DU8<br>(V92215))<br>(OPT HL97DU8<br>(V56878))<br>-----* | A,B      | 7            |
| R 173       | 173T2025-9  |                     | ....RIB<br>ATTACHING PARTS   | A,B      | 1            |
| R 175       | BACB30MY8K7 |                     | ....BOLT   | A,B      | 7            |
| R 177A      | HL97DU8     |                     | ....COLLAR-<br>(V73197)<br>(SPEC BACC30AB8S)<br>(OPT HL97DU8<br>(V92215))<br>(OPT HL97DU8<br>(V56878))<br>-----* | A,B      | 7            |
| R 179       | 173T2025-10 |                     | ....RIB<br>ATTACHING PARTS   | A,B      | 1            |
| R 181       | BACB30MY6K3 |                     | ....BOLT   | A,B      | 7            |
| R 183       | HL97DU6     |                     | ....COLLAR-<br>(V73197)<br>(SPEC BACC30AB6S)<br>(OPT HL97DU6<br>(V92215))<br>(OPT HL97DU6<br>(V56878))<br>-----* | A,B      | 7            |

55-40-13

 ILLUSTRATED PARTS LIST  
 01.1 Page 10460  
 Nov 01/00

| FIG. & ITEM | PART NO.    | AIRLINE PART NUMBER | NOMENCLATURE<br>1234567   | EFF CODE | QTY PER ASSY |
|-------------|-------------|---------------------|---|----------|--------------|
| R 01-185    | 173T2025-11 |                     | ....RIB<br>ATTACHING PARTS  | A,B      | 1            |
| R 187       | BACB30MY8K5 |                     | ....BOLT  | A,B      | 5            |
| R 189A      | HL97DU8     |                     | ....COLLAR-<br>(V73197)<br>(SPEC BACC30AB8S)<br>(OPT HL97DU8<br>(V92215))<br>(OPT HL97DU8<br>(V56878))<br>-----*----- | A,B      | 5            |
| R 191       | 173T2025-12 |                     | ....RIB<br>ATTACHING PARTS  | A,B      | 1            |
| R 192A      | BACB30MY8K5 |                     | ....BOLT  | A,B      | 5            |
| R 193A      | HL97DU8     |                     | ....COLLAR-<br>(V73197)<br>(SPEC BACC30AB8S)<br>(OPT HL97DU8<br>(V92215))<br>(OPT HL97DU8<br>(V56878))<br>-----*----- | A,B      | 5            |
| R 194       | 173T2025-14 |                     | ....RIB   | A,B      | 1            |
| R 195       | 173T2025-13 |                     | ....RIB<br>ATTACHING PARTS  | A,B      | 1            |
| R 196       | BACB30MY8K6 |                     | ....BOLT  | A,B      | 3            |
| R 197       | HL97DU8     |                     | ....COLLAR-<br>(V73197)<br>(SPEC BACC30AB8S)<br>(OPT HL97DU8<br>(V92215))<br>(OPT HL97DU8<br>(V56878))<br>-----*----- | A,B      | 3            |
| R 198       | 173T2025-28 |                     | ....RIB   | A,B      | 1            |
| R 199       | 173T2025-29 |                     | ....RIB<br>ATTACHING PARTS  | A,B      | 1            |
| R 200       | BACB30MY6K5 |                     | ....BOLT  | A,B      | 8            |
| R 201       | BACB30MY6K3 |                     | ....BOLT  | A,B      | 12           |

55-40-13

ILLUSTRATED PARTS LIST

01.1 Page 1046P

Nov 01/00


**BOEING**  
 COMPONENT  
 MAINTENANCE MANUAL

| FIG. & ITEM | PART NO.    | AIRLINE PART NUMBER | NOMENCLATURE<br>1234567   | EFF CODE | QTY PER ASSY |
|-------------|-------------|---------------------|---|----------|--------------|
| R           | 01-<br>201G | BACW10BP3NDP        | ....WASHER  | A,B      | 8            |
| R           | 202         | HL79-6              | ....COLLAR-<br>(V56878)<br>(SPEC BACC30M6)<br>(OPT HL79-6<br>(V73197))<br>(OPT HL79-6<br>(V92215))<br>(OPT 66014-6<br>(V56878))<br>(OPT HL79-6<br>(V5M902)) | A,B      | 8            |
| R           | 202A        | HL97DU6             | ....COLLAR-<br>(V73197)<br>(SPEC BACC30AB6S)<br>(OPT HL97DU6<br>(V92215))<br>(OPT HL97DU6<br>(V56878))<br>-----*  | A,B      | 12           |
| R           | 203         | 173T2025-30         | ....RIB   | A,B      | 1            |
| R           | 204         | 173T2025-31         | ....RIB   | A,B      | 1            |
|             |             |                     | ATTACHING PARTS   |          |              |
| R           | 205         | BACB30MY6K5         | ....BOLT  | A,B      | 8            |
| R           | 206         | BACB30MY6K3         | ....BOLT  | A,B      | 6            |
| R           | 206G        | BACW10BP3NDP        | ....WASHER  | A,B      | 8            |
| R           | 207         | HL79-6              | ....COLLAR-<br>(V56878)<br>(SPEC BACC30M6)<br>(OPT HL79-6<br>(V73197))<br>(OPT HL79-6<br>(V92215))<br>(OPT 66014-6<br>(V56878))<br>(OPT HL79-6<br>(V5M902)) | A,B      | 8            |

55-40-13

ILLUSTRATED PARTS LIST

01.1 Page 1046Q

Nov 01/00

| FIG. & ITEM | PART NO.    | AIRLINE PART NUMBER | NOMENCLATURE<br>1234567   | EFF CODE | QTY PER ASSY |
|-------------|-------------|---------------------|---|----------|--------------|
| R 01-207A   | HL97DU6     |                     | ....COLLAR-<br>(V73197)<br>(SPEC BACC30AB6S)<br>(OPT HL97DU6<br>(V92215))<br>(OPT HL97DU6<br>(V56878))<br>-----*-----   | A,B      | 6            |
| R 208       | 173T2039-5  |                     | ....FITTING ASSY-HINGE<br>(REPLD BY ITEM 208A)  | A,B      | 1            |
| R -208A     | 173T2039-1  |                     | ....FITTING ASSY-HINGE<br>(REPLS ITEM 208)<br>ATTACHING PARTS   | A,B      | 1            |
| R 209       | HL11VAZ10-9 |                     | ....BOLT-<br>(V56878)<br>(SPEC BACB30NW10K9)<br>(OPT B30NW10K9<br>(V97928))<br>(OPT HL11VAZ10-9<br>(V73197))<br>(OPT HL11VAZ10-9<br>(V92215))<br>(OPT HL11VAZ10-9<br>(V97928))<br>(OPT L803-10K9<br>(V06725))<br>(OPT HL11VAZ10-9<br>(V0PTK6))<br>(OPT HL11VAZ10-9<br>(V60516)) | A,B      | 6            |

55-40-13

 ILLUSTRATED PARTS LIST  
 01.1 Page 1046R  
 Nov 01/00




**BOEING**  
 COMPONENT  
 MAINTENANCE MANUAL

| FIG. & ITEM | PART NO.        | AIRLINE PART NUMBER | NOMENCLATURE<br>1234567  | EFF CODE | QTY PER ASSY |
|-------------|-----------------|---------------------|--|----------|--------------|
| 01-         |                 |                     |  |          |              |
| R 211A      | BACB30MY8K5     |                     | ....BOLT   | A,B      | 2            |
| R 213       | BACB30MY8K6     |                     | ....BOLT   | A,B      | 2            |
| R 215       | BACB30MY8K7     |                     | ....BOLT   | A,B      | 4            |
| R 217A      | BACB30MY8K9     |                     | ....BOLT   | A,B      | 2            |
| R 219       | HL79-10         |                     | ....COLLAR-<br>(V56878)<br>(SPEC BACC30M10)<br>(OPT HL79-10<br>(V73197))<br>(OPT HL79-10<br>(V92215))<br>(OPT 66014-10<br>(V56878))<br>(OPT HL79-10<br>(V5M902)) | A,B      | 6            |
| R 221A      | HL97DU8         |                     | ....COLLAR-<br>(V73197)<br>(SPEC BACC30AB8S)<br>(OPT HL97DU8<br>(V92215))<br>(OPT HL97DU8<br>(V56878))   | A,B      | 10           |
| R 223       | 173T2053-8      |                     | ....SHIM<br>-----*-----  | A,B      | 2            |
| R 225       | 173T2038-2      |                     | .....BUSHING   | A,B      | 1            |
| R 227       | BACB28AM11B024A |                     | .....BUSHING   | A,B      | 1            |
| R 229       | 173T2039-6      |                     | .....FITTING-<br>(USED ON ITEM 208)  | A,B      | 1            |
| R -229A     | 173T2039-2      |                     | .....FITTING-<br>(USED ON ITEM 208A)   | A,B      | 1            |
| R 231       | 173T2039-7      |                     | ....FITTING ASSY-HINGE<br>(REPLD BY ITEM 231A)   | A,B      | 1            |

55-40-13

 ILLUSTRATED PARTS LIST  
 01.1 Page 1046S  
 Nov 01/00

| FIG. & ITEM | PART NO.        | AIRLINE PART NUMBER | NOMENCLATURE<br>1234567   | EFF CODE | QTY PER ASSY |
|-------------|-----------------|---------------------|---|----------|--------------|
| R 01-231A   | 173T2039-3      |                     | ....FITTING ASSY-HINGE<br>(REPLS ITEM 231)<br>ATTACHING PARTS   | A,B      | 1            |
| R 233       | HL11VAZ10-9     |                     | ....BOLT-<br>(V56878)<br>(SPEC BACB30NW10K9)<br>(OPT B30NW10K9<br>(V97928))<br>(OPT HL11VAZ10-9<br>(V73197))<br>(OPT HL11VAZ10-9<br>(V92215))<br>(OPT HL11VAZ10-9<br>(V97928))<br>(OPT L803-10K9<br>(V06725))<br>(OPT HL11VAZ10-9<br>(V0PTK6))<br>(OPT HL11VAZ10-9<br>(V60516)) | A,B      | 6            |
| R 235       | HL79-10         |                     | ....COLLAR-<br>(V56878)<br>(SPEC BACC30M10)<br>(OPT HL79-10<br>(V73197))<br>(OPT HL79-10<br>(V92215))<br>(OPT 66014-10<br>(V56878))<br>(OPT HL79-10<br>(V5M902))  | A,B      | 6            |
| R 237       | 173T2053-8      |                     | ....SHIM<br>-----*  | A,B      | 2            |
| R 239       | 173T2038-2      |                     | .....BUSHING  | A,B      | 1            |
| R 241       | BACB28AM11B024A |                     | .....BUSHING  | A,B      | 1            |
| R 243       | 173T2039-8      |                     | .....FITTING-<br>(USED ON ITEM 231)   | A,B      | 1            |
| R -243A     | 173T2039-4      |                     | .....FITTING-<br>(USED ON ITEM 231A)  | A,B      | 1            |

55-40-13

ILLUSTRATED PARTS LIST

01.1 Page 1046T

Nov 01/00


**BOEING**  
 COMPONENT  
 MAINTENANCE MANUAL

| FIG. & ITEM | PART NO.     | AIRLINE PART NUMBER | NOMENCLATURE<br>1234567   | EFF CODE | QTY PER ASSY |
|-------------|--------------|---------------------|---|----------|--------------|
| 01-         |              |                     |   |          |              |
| R 244       | 173T2054-2   |                     | ....ANGLE   | A,B      | 4            |
| R 245       | 173T2054-3   |                     | ....FILLER ASSY<br>ATTACHING PARTS  | A,B      | 4            |
| R 246       | BACB30NU4K7  |                     | ....BOLT  | A,B      | 8            |
| R 247       | HL11VAZ6-7   |                     | ....BOLT-<br>(V56878)<br>(SPEC BACB30NW6K7)<br>(OPT HL11V6-7<br>(V92215))<br>(OPT HL11V6-7<br>(V97928))<br>(OPT L803-6-7<br>(V06725))<br>(OPT B30NW6K7<br>(V97928))<br>(OPT HL11VAZ6-7<br>(V73197))<br>(OPT HL11VAZ6-7<br>(V92215))<br>(OPT HL11VAZ6-7<br>(V97928)) | A,B      | 8            |
| R 248       | BACB30MY6K4  |                     | ....BOLT  | A,B      | 8            |
| R 248G      | BACW10BP3NDP |                     | ....WASHER  | A,B      | 8            |
| R 249       | HL79-6       |                     | ....COLLAR-<br>(V56878)<br>(SPEC BACC30M6)<br>(OPT HL79-6<br>(V73197))<br>(OPT HL79-6<br>(V92215))<br>(OPT 66014-6<br>(V56878))<br>(OPT HL79-6<br>(V5M902))<br>-----*   | A,B      | 16           |
| R 251       | NS103192-048 |                     | .....NUTPLATE-<br>(V80539)<br>(SPEC BACN10KE4C)<br>(OPT F51752-4-1<br>(V15653))<br>(OPT RMF9214-4<br>(V72962))<br>(OPT BRFR120A4-1<br>(V52825))   | A,B      | 2            |

55-40-13

 ILLUSTRATED PARTS LIST  
 01.1 Page 1046U  
 Nov 01/00



COMPONENT  
MAINTENANCE MANUAL

| FIG. & ITEM | PART NO.        | AIRLINE PART NUMBER | NOMENCLATURE<br>1234567   | EFF CODE | QTY PER ASSY |
|-------------|-----------------|---------------------|---|----------|--------------|
| 01-         |                 |                     |   |          |              |
| R 253       | BACR15BA3AD     |                     | ATTACHING PARTS<br>.....RIVET-<br>(SIZE DETERMINE ON INST)  | A,B      | 4            |
| R 255       | BACF33C105-550E |                     | .....FILLER<br>-----*-----  | A,B      | 1            |
| R 257       | 251T3445-5      |                     | ....BRACKET ASSY<br>ATTACHING PARTS   | A,B      | 1            |
| R 258       | BACB30NT3K5     |                     | ....BOLT  | A,B      | 4            |
| R 258G      | AN960PD10L      |                     | ....WASHER<br>-----*-----   | A,B      | 4            |
| R 259       | KSP3L           |                     | .....BEARING-<br>(V38443)<br>(SPEC BACB10AC3L)<br>(OPT HHKSP3L<br>(V38443))<br>(OPT KSP3LE9440A<br>(V21335))<br>(OPT KSP3LFS428<br>(V21335))<br>(OPT KSP3L2TS<br>(V43991))<br>(OPT KSP3LG27<br>(V30163))<br>(OPT 3LFS428<br>(V21335)) | A,B      | 1            |
| R 260       | 251T3445-6      |                     | .....BRACKET-<br>(OPT ITEM 260A)  | A,B      | 1            |
| R -260A     | 251T3445-7      |                     | .....BRACKET-<br>(OPT ITEM 260)   | A,B      | 1            |
| R 261A      | BRF200C3D       |                     | ....NUTPLATE-<br>(V52828)<br>(SPEC BACN10JR3CFD)<br>(OPT K51602-3BAC<br>(V15653))<br>(OPT NS202476-02<br>(V80539))<br>(OPT 102F9201-3<br>(V72962))<br>(OPT T8092C1032CD<br>(V11815))  | A,B      | 4            |

55-40-13


**BOEING**  
 COMPONENT  
 MAINTENANCE MANUAL

| FIG. & ITEM | PART NO.    | AIRLINE PART NUMBER | NOMENCLATURE<br>1234567  | EFF CODE | QTY PER ASSY |
|-------------|-------------|---------------------|--|----------|--------------|
| 01-         |             |                     |  |          |              |
| R 262A      | AF5141-3-3  |                     | ATTACHING PARTS<br>....RIVET-<br>(V53551)<br>(SPEC BACR15DR3A3)<br>(OPT RV541A3-3<br>(V98996))<br>(OPT CCR264CS3-3TT<br>(V11815))<br>-----*-----   | A,B      | 8            |
| R 263       | 173T2041-5  |                     | ....FITTING ASSY-HINGE<br>(REPLD BY ITEM 263A)   | A,B      | 1            |
| R -263A     | 173T2041-1  |                     | ....FITTING ASSY-HINGE<br>(REPLS ITEM 263)   | A,B      | 1            |
| R 264       | 173T2041-7  |                     | ....FITTING ASSY-HINGE<br>(REPLD BY ITEM 264A)   | A,B      | 1            |
| R -264A     | 173T2041-3  |                     | ....FITTING ASSY-HINGE<br>(REPLS ITEM 264)   | A,B      | 1            |
| R 265       | HL11VAZ10-9 |                     | ATTACHING PARTS<br>....BOLT-<br>(V56878)<br>(SPEC BACB30NW10K9)<br>(OPT B30NW10K9<br>(V97928))<br>(OPT HL11VAZ10-9<br>(V73197))<br>(OPT HL11VAZ10-9<br>(V92215))<br>(OPT HL11VAZ10-9<br>(V97928))<br>(OPT L803-10K9<br>(V06725))<br>(OPT HL11VAZ10-9<br>(V0PTK6))<br>(OPT HL11VAZ10-9<br>(V60516)) | A        | 12           |

55-40-13

 ILLUSTRATED PARTS LIST  
 01.1 Page 1046W  
 Nov 01/00

| FIG. & ITEM    | PART NO.    | AIRLINE PART NUMBER | NOMENCLATURE<br>1234567  | EFF CODE | QTY PER ASSY |
|----------------|-------------|---------------------|--|----------|--------------|
| R 01-<br>-265A | HL13VAZ10-9 |                     | ....BOLT-<br>(V56878)<br>(SPEC BACB30NY10K9)<br>(OPT HL13VAZ10-9<br>(V73197))<br>(OPT HL13VAZ10-9<br>(V92215))<br>(OPT HL13VAZ10-9<br>(V97928))<br>(OPT L801-10K9<br>(V06725))<br>(OPT HL13VAZ10-9<br>(V08524))<br>(OPT HL13V9<br>(V06725))<br>(OPT HL13VAZ10-9<br>(V17446)) | B        | 12           |
| R 269          | BACB30MY8K5 |                     | ....BOLT   | A,B      | 14           |
| R 271          | HL79-10     |                     | ....COLLAR-<br>(V56878)<br>(SPEC BACC30M10)<br>(OPT HL79-10<br>(V73197))<br>(OPT HL79-10<br>(V92215))<br>(OPT 66014-10<br>(V56878))<br>(OPT HL79-10<br>(V5M902))   | A,B      | 12           |

55-40-13

 ILLUSTRATED PARTS LIST  
 01.1 Page 1046X  
 Nov 01/00


**BOEING**  
 COMPONENT  
 MAINTENANCE MANUAL

| FIG. & ITEM | PART NO.        | AIRLINE PART NUMBER | NOMENCLATURE<br>1234567  | EFF CODE | QTY PER ASSY |
|-------------|-----------------|---------------------|--|----------|--------------|
| R 01-273A   | HL97DU8         |                     | ....COLLAR-<br>(V73197)<br>(SPEC BACC30AB8S)<br>(OPT HL97DU8<br>(V92215))<br>(OPT HL97DU8<br>(V56878)) | A,B      | 14           |
| R 275       | 173T2053-8      |                     | ....SHIM<br>-----*-----  | A,B      | 4            |
| R 279       | 173T2038-6      |                     | .....BUSHING   | A,B      | 1            |
| R 281       | BACB28AM14B031A |                     | .....BUSHING   | A,B      | 1            |
| R -281G     | 173T2041-18     |                     | .....FITTING-<br>(REPLS ITEM 282)<br>(USED ON ITEM 263)  | A,B      | 1            |
| R -281H     | 173T2041-16     |                     | .....FITTING-<br>(REPLS ITEM 282A)<br>(USED ON ITEM 263A)  | A,B      | 1            |
| R -281J     | 173T2041-19     |                     | .....FITTING-<br>(REPLS ITEM 282B)<br>(USED ON ITEM 264)   | A,B      | 1            |
| R -281K     | 173T2041-17     |                     | .....FITTING-<br>(REPLS ITEM 282C)<br>(USED ON ITEM 264A)  | A,B      | 1            |
| R 282       | 173T2041-14     |                     | .....FITTING ASSY-<br>(REPLD BY ITEM 281G)<br>(USED ON ITEM 263)                                       | A,B      | 1            |
| R -282A     | 173T2041-12     |                     | .....FITTING ASSY-<br>(REPLD BY ITEM 281H)<br>(USED ON ITEM 263A)                                      | A,B      | 1            |
| R -282B     | 173T2041-15     |                     | .....FITTING ASSY-<br>(REPLD BY ITEM 281J)<br>(USED ON ITEM 264)                                       | A,B      | 1            |
| R -282C     | 173T2041-13     |                     | .....FITTING ASSY-<br>(REPLD BY ITEM 281K)<br>(USED ON ITEM 264A)                                      | A,B      | 1            |
| R 283       | 173T2041-6      |                     | .....FITTING-<br>(USED ON ITEM 282)  | A,B      | 1            |
| R -283A     | 173T2041-2      |                     | .....FITTING-<br>(USED ON ITEM 282A)   | A,B      | 1            |
| R -284      | 173T2041-8      |                     | .....FITTING-<br>(USED ON ITEM 282B)   | A,B      | 1            |
| R -284A     | 173T2041-4      |                     | .....FITTING-<br>(USED ON ITEM 282C)   | A,B      | 1            |

55-40-13

 ILLUSTRATED PARTS LIST  
 01.1 Page 1046Y  
 Nov 01/00

| FIG. & ITEM | PART NO.  | AIRLINE PART NUMBER | NOMENCLATURE<br>1234567   | EFF CODE | QTY PER ASSY |
|-------------|-----------|---------------------|---|----------|--------------|
| R 01-284G   | HL18PB8-8 |                     | .....BOLT-<br>(V56878)<br>(SPEC BACB30FM8-8)<br>(OPT HL18PB8-8<br>(V73197))<br>(OPT HL18PB8-8<br>(V92215))<br>(OPT HL18PB8-8<br>(V97928))<br>(OPT HL18PB8-8<br>(V80539))<br>(OPT WC22-8-8<br>(V60516))<br>(OPT 62550-8-8<br>(V56878))<br>(OPT HL18PB8-8<br>(V60516))<br>(OPT HL18PB8-8<br>(V08524)) | A,B      | 8            |
| R 284J      | HL18PB8-9 |                     | .....BOLT-<br>(V56878)<br>(SPEC BACB30FM8-9)<br>(OPT HL18PB8-9<br>(V73197))<br>(OPT HL18PB8-9<br>(V92215))<br>(OPT HL18PB8-9<br>(V97928))<br>(OPT WC22-8-9<br>(V60516))<br>(OPT WC22-8-9<br>(V60516))<br>(OPT 62550-8-9<br>(V56878))<br>(OPT HL18PB8-9<br>(V60516))<br>(OPT HL18PB8-9<br>(V08524))  | A,B      | 12           |

# 55-40-13

 ILLUSTRATED PARTS LIST  
 01.1 Page 1046Z  
 Nov 01/00




**BOEING**  
 COMPONENT  
 MAINTENANCE MANUAL

| FIG. & ITEM | PART NO.    | AIRLINE PART NUMBER | NOMENCLATURE<br>1234567   | EFF CODE | QTY PER ASSY |
|-------------|-------------|---------------------|---|----------|--------------|
| R 01-284L   | HL79-8      |                     | .....COLLAR-<br>(V56878)<br>(SPEC BACC30M8)<br>(OPT HL79-8<br>(V73197))<br>(OPT HL79-8<br>(V92215))<br>(OPT 66014-8<br>(V56878))<br>(OPT HL79-8<br>(V5M902))  | A,B      | 20           |
| R 284P      | 173T2041-11 |                     | .....FILLER   | A,B      | 20           |
| R 284S      | 173T2041-20 |                     | .....ANGLE  | A,B      | 2            |
| R 284V      | 173T2041-21 |                     | .....ANGLE  | A,B      | 2            |
| R 285       | 173T2019-3  |                     | ....FITTING ASSY-ACTR<br>(REPLD BY ITEM 285A)   | A,B      | 1            |
| R -285A     | 173T2019-1  |                     | ....FITTING ASSY-ACTR<br>(REPLS ITEM 285)<br>ATTACHING PARTS  | A,B      | 1            |
| R 287       | HL11VAZ10-9 |                     | ....BOLT-<br>(V56878)<br>(SPEC BACB30NW10K9)<br>(OPT B30NW10K9<br>(V97928))<br>(OPT HL11VAZ10-9<br>(V73197))<br>(OPT HL11VAZ10-9<br>(V92215))<br>(OPT HL11VAZ10-9<br>(V97928))<br>(OPT L803-10K9<br>(V06725))<br>(OPT HL11VAZ10-9<br>(V0PTK6))<br>(OPT HL11VAZ10-9<br>(V60516)) | A,B      | 4            |

55-40-13

ILLUSTRATED PARTS LIST

01.1

Page 1047

Nov 01/00

| FIG. & ITEM | PART NO.     | AIRLINE PART NUMBER | NOMENCLATURE<br>1234567   | EFF CODE | QTY PER ASSY |
|-------------|--------------|---------------------|---|----------|--------------|
| R 01-289    | HL11VAZ10-12 |                     | ....BOLT-<br>(V56878)<br>(SPEC BACB30NW10K12)<br>(OPT B30NW10K12<br>(V97928))<br>(OPT HL11VAZ10-12<br>(V73197))<br>(OPT HL11VAZ10-12<br>(V92215))<br>(OPT HL11VAZ10-12<br>(V97928))<br>(OPT L803-10K12<br>(V06725))<br>(OPT HL11VAZ10-12<br>(V0PTK6))<br>(OPT HL11VAZ10-12<br>(V60516)) | A        | 6            |
| R -289A     | HL13VAZ10-12 |                     | ....BOLT-<br>(V56878)<br>(SPEC BACB30NY10K12)<br>(OPT HL13VAZ10-12<br>(V73197))<br>(OPT HL13VAZ10-12<br>(V92215))<br>(OPT HL13VAZ10-12<br>(V97928))<br>(OPT L801-10K12<br>(V06725))<br>(OPT HL13VAZ10-12<br>(V08524))<br>(OPT HL13V12<br>(V06725))<br>(OPT LH13VAZ10-12<br>(V17446))    | B        | 6            |
| R 291       | BACB30MY8K7  |                     | ....BOLT  | A,B      | 2            |
| R 293       | BACB30MY8K6  |                     | ....BOLT  | A,B      | 6            |

# 55-40-13

ILLUSTRATED PARTS LIST

01.1

Page 1048

Nov 01/00


**BOEING**  
 COMPONENT  
 MAINTENANCE MANUAL

| FIG. & ITEM | PART NO.        | AIRLINE PART NUMBER | NOMENCLATURE<br>1234567  | EFF CODE | QTY PER ASSY |
|-------------|-----------------|---------------------|--|----------|--------------|
| R 01-295    | HL79-10         |                     | ....COLLAR-<br>(V56878)<br>(SPEC BACC30M10)<br>(OPT HL79-10<br>(V73197))<br>(OPT HL79-10<br>(V92215))<br>(OPT 66014-10<br>(V56878))<br>(OPT HL79-10<br>(V5M902)) | A,B      | 10           |
| R 297       | HL79-8          |                     | ....COLLAR-<br>(V56878)<br>(SPEC BACC30M8)<br>(OPT HL79-8<br>(V73197))<br>(OPT HL79-8<br>(V92215))<br>(OPT 66014-8<br>(V56878))<br>(OPT HL79-8<br>(V5M902))      | A,B      | 8            |
| R 299       | 173T2053-9      |                     | ....SHIM<br>-----*-----  | A,B      | 2            |
| R 301       | 173T2038-1      |                     | .....BUSHING   | A,B      | 1            |
| R 303       | BACB28AP14P048  |                     | .....BUSHING   | A,B      | 1            |
| R 305       | BACB28AM19B048A |                     | .....BUSHING   | A,B      | 2            |
| R 307       | 173T2019-4      |                     | .....FITTING-<br>(USED ON ITEM 285)  | A,B      | 1            |
| R -307A     | 173T2019-2      |                     | .....FITTING-<br>(USED ON ITEM 285A)   | A,B      | 1            |
| R 331       | 173T2017-7      |                     | ....FITTING ASSY-ACTR<br>(REPLD BY ITEM 331A)  | A,B      | 1            |

55-40-13

 ILLUSTRATED PARTS LIST  
 01.1 Page 1048A  
 Nov 01/00

| FIG. & ITEM | PART NO.     | AIRLINE PART NUMBER | NOMENCLATURE<br>1234567   | EFF CODE | QTY PER ASSY |
|-------------|--------------|---------------------|---|----------|--------------|
| R 01-331A   | 173T2017-3   |                     | ....FITTING ASSY-ACTR<br>(REPLS ITEM 331)   | A,B      | 1            |
| R 332       | 173T2017-5   |                     | ....FITTING ASSY-ACTR<br>(REPLD BY ITEM 332A)   | A,B      | 1            |
| R -332A     | 173T2017-1   |                     | ....FITTING ASSY-ACTR<br>(REPLS ITEM 332)   | A,B      | 1            |
| R 333       | HL11VAZ10-9  |                     | ....BOLT-<br>(V56878)<br>(SPEC BACB30NW10K9)<br>(OPT B30NW10K9<br>(V97928))<br>(OPT HL11VAZ10-9<br>(V73197))<br>(OPT HL11VAZ10-9<br>(V92215))<br>(OPT HL11VAZ10-9<br>(V97928))<br>(OPT L803-10K9<br>(V06725))<br>(OPT HL11VAZ10-9<br>(V0PTK6))<br>(OPT HL11VAZ10-9<br>(V60516))         | A,B      | 8            |
| R 335       | HL11VAZ10-12 |                     | ....BOLT-<br>(V56878)<br>(SPEC BACB30NW10K12)<br>(OPT B30NW10K12<br>(V97928))<br>(OPT HL11VAZ10-12<br>(V73197))<br>(OPT HL11VAZ10-12<br>(V92215))<br>(OPT HL11VAZ10-12<br>(V97928))<br>(OPT L803-10K12<br>(V06725))<br>(OPT HL11VAZ10-12<br>(V0PTK6))<br>(OPT HL11VAZ10-12<br>(V60516)) | A        | 12           |

# 55-40-13

 ILLUSTRATED PARTS LIST  
 01.1 Page 1048B  
 Nov 01/00


**BOEING**  
 COMPONENT  
 MAINTENANCE MANUAL

| FIG. & ITEM    | PART NO.     | AIRLINE PART NUMBER | NOMENCLATURE<br>1234567  | EFF CODE | QTY PER ASSY |
|----------------|--------------|---------------------|--|----------|--------------|
| R 01-<br>-335A | HL13VAZ10-12 |                     | ....BOLT-<br>(V56878)<br>(SPEC BACB30NY10K12)<br>(OPT HL13VAZ10-12<br>(V73197))<br>(OPT HL13VAZ10-12<br>(V92215))<br>(OPT HL13VAZ10-12<br>(V97928))<br>(OPT L801-10K12<br>(V06725))<br>(OPT HL13VAZ10-12<br>(V08524))<br>(OPT HL13V12<br>(V06725))<br>(OPT LH13VAZ10-12<br>(V17446)) | B        | 12           |
| R 337          | BACB30MY8K6  |                     | ....BOLT   | A,B      | 16           |
| R 339          | HL79-10      |                     | ....COLLAR-<br>(V56878)<br>(SPEC BACC30M10)<br>(OPT HL79-10<br>(V73197))<br>(OPT HL79-10<br>(V92215))<br>(OPT 66014-10<br>(V56878))<br>(OPT HL79-10<br>(V5M902))   | A,B      | 20           |

55-40-13

 ILLUSTRATED PARTS LIST  
 01.1 Page 1048C  
 Nov 01/00

| FIG. & ITEM | PART NO.        | AIRLINE PART NUMBER | NOMENCLATURE<br>1234567   | EFF CODE | QTY PER ASSY |
|-------------|-----------------|---------------------|---|----------|--------------|
| R 01-341    | HL79-8          |                     | ....COLLAR-<br>(V56878)<br>(SPEC BACC30M8)<br>(OPT HL79-8<br>(V73197))<br>(OPT HL79-8<br>(V92215))<br>(OPT 66014-8<br>(V56878))<br>(OPT HL79-8<br>(V5M902)) | A,B      | 16           |
| R 343       | 173T2053-9      |                     | ....SHIM<br>-----*-----   | A,B      | 4            |
| R 345       | 173T2038-1      |                     | .....BUSHING  | A,B      | 1            |
| R 347       | BACB28AP14P048  |                     | .....BUSHING  | A,B      | 1            |
| R 349       | BACB28AM19B048A |                     | .....BUSHING  | A,B      | 2            |
| R 351       | 173T2017-8      |                     | .....FITTING-<br>(USED ON ITEM 331)   | A,B      | 1            |
| R -351A     | 173T2017-4      |                     | .....FITTING-<br>(USED ON ITEM 331A)  | A,B      | 1            |
| R -352      | 173T2017-6      |                     | .....FITTING-<br>(USED ON ITEM 332)   | A,B      | 1            |
| R -352A     | 173T2017-2      |                     | .....FITTING-<br>(USED ON ITEM 332A)  | A,B      | 1            |
| R 353       | 173T2023-5      |                     | ....FITTING ASSY-HINGE<br>(REPLD BY ITEM 353A)  | A,B      | 1            |
| R -353A     | 173T2023-1      |                     | ....FITTING ASSY-HINGE<br>(REPLS ITEM 353)<br>ATTACHING PARTS   | A,B      | 1            |

55-40-13

 ILLUSTRATED PARTS LIST  
 01.1 Page 1048D  
 Nov 01/00


**BOEING**  
 COMPONENT  
 MAINTENANCE MANUAL

| FIG. & ITEM | PART NO.    | AIRLINE PART NUMBER | NOMENCLATURE<br>1234567   | EFF CODE | QTY PER ASSY |
|-------------|-------------|---------------------|---|----------|--------------|
| R 01-355    | HL11VAZ10-9 |                     | ....BOLT-<br>(V56878)<br>(SPEC BACB30NW10K9)<br>(OPT B30NW10K9<br>(V97928))<br>(OPT HL11VAZ10-9<br>(V73197))<br>(OPT HL11VAZ10-9<br>(V92215))<br>(OPT HL11VAZ10-9<br>(V97928))<br>(OPT L803-10K9<br>(V06725))<br>(OPT HL11VAZ10-9<br>(V0PTK6))<br>(OPT HL11VAZ10-9<br>(V60516)) | A,B      | 6            |
| R 357       | BACB30MY8K5 |                     | ....BOLT  | A,B      | 4            |
| R 361       | BACB30MY8K6 |                     | ....BOLT  | A,B      | 4            |
| R 363       | HL79-10     |                     | ....COLLAR-<br>(V56878)<br>(SPEC BACC30M10)<br>(OPT HL79-10<br>(V73197))<br>(OPT HL79-10<br>(V92215))<br>(OPT 66014-10<br>(V56878))<br>(OPT HL79-10<br>(V5M902))  | A,B      | 6            |

55-40-13

 ILLUSTRATED PARTS LIST  
 01.1 Page 1048E  
 Nov 01/00

| FIG. & ITEM | PART NO.        | AIRLINE PART NUMBER | NOMENCLATURE<br>1234567  | EFF CODE | QTY PER ASSY |
|-------------|-----------------|---------------------|--|----------|--------------|
| R 01-365A   | HL97DU8         |                     | ....COLLAR-<br>(V73197)<br>(SPEC BACC30AB8S)<br>(OPT HL97DU8<br>(V92215))<br>(OPT HL97DU8<br>(V56878))   | A,B      | 8            |
| R 367       | 173T2053-10     |                     | ....SHIM<br>-----*-----  | A,B      | 2            |
| R 369       | BACB28AM14B027A |                     | .....BUSHING   | A,B      | 1            |
| R 371       | BACB28AP10P047  |                     | .....BUSHING   | A,B      | 1            |
| R 373       | 173T2023-6      |                     | .....FITTING-<br>(USED ON ITEM 353)  | A,B      | 1            |
| R -373A     | 173T2023-2      |                     | .....FITTING-<br>(USED ON ITEM 353A)   | A,B      | 1            |
| R 397       | 173T2023-7      |                     | ....FITTING ASSY-HINGE<br>(REPLD BY ITEM 397A)   | A,B      | 1            |
| R -397A     | 173T2023-3      |                     | ....FITTING ASSY-HINGE<br>(REPLS ITEM 397)   | A,B      | 1            |
| R 399       | HL11VAZ10-9     |                     | ATTACHING PARTS<br>....BOLT-<br>(V56878)<br>(SPEC BACB30NW10K9)<br>(OPT B30NW10K9<br>(V97928))<br>(OPT HL11VAZ10-9<br>(V73197))<br>(OPT HL11VAZ10-9<br>(V92215))<br>(OPT HL11VAZ10-9<br>(V97928))<br>(OPT L803-10K9<br>(V06725))<br>(OPT HL11VAZ10-9<br>(V0PTK6))<br>(OPT HL11VAZ10-9<br>(V60516)) | A,B      | 6            |

55-40-13

 ILLUSTRATED PARTS LIST  
 01.1 Page 1048F  
 Nov 01/00




**BOEING**  
 COMPONENT  
 MAINTENANCE MANUAL

| FIG. & ITEM | PART NO.        | AIRLINE PART NUMBER | NOMENCLATURE<br>1234567  | EFF CODE | QTY PER ASSY |
|-------------|-----------------|---------------------|--|----------|--------------|
| 01-         |                 |                     |  |          |              |
| R 403       | BACB30MY8K5     |                     | ....BOLT   | A,B      | 4            |
| R 405       | BACB30MY8K6     |                     | ....BOLT   | A,B      | 4            |
| R 406       | HL79-10         |                     | ....COLLAR-<br>(V56878)<br>(SPEC BACC30M10)<br>(OPT HL79-10<br>(V73197))<br>(OPT HL79-10<br>(V92215))<br>(OPT 66014-10<br>(V56878))<br>(OPT HL79-10<br>(V5M902)) | A,B      | 6            |
| R 407A      | HL97DU8         |                     | ....COLLAR-<br>(V73197)<br>(SPEC BACC30AB8S)<br>(OPT HL97DU8<br>(V92215))<br>(OPT HL97DU8<br>(V56878))   | A,B      | 8            |
| R 408       | 173T2053-10     |                     | ....SHIM<br>-----*-----  | A,B      | 2            |
| R 409       | BACB28AM14B027A |                     | .....BUSHING   | A,B      | 1            |
| R 411       | AN960PD2016     |                     | .....WASHER  | A,B      | 1            |
| R 413       | 173T2038-5      |                     | .....NUT   | A,B      | 1            |
| R 415       | 173T2038-3      |                     | .....BUSHING   | A,B      | 1            |
| R 417       | 173T2038-4      |                     | .....BUSHING   | A,B      | 1            |
| R 418       | 173T2023-8      |                     | .....FITTING-<br>(USED ON ITEM 397)  | A,B      | 1            |
| R -418A     | 173T2023-4      |                     | .....FITTING-<br>(USED ON ITEM 397A)   | A,B      | 1            |
| R 419       | 173T2043-3      |                     | ....FITTING ASSY-HINGE<br>(REPLD BY ITEM 419A)   | A,B      | 1            |
| R -419A     | 173T2043-1      |                     | ....FITTING ASSY-HINGE<br>(REPLS ITEM 419)   | A,B      | 1            |
| R 420       | 173T2045-3      |                     | ....FITTING ASSY-HINGE<br>(REPLD BY ITEM 420A)   | A,B      | 1            |
| R -420A     | 173T2045-1      |                     | ....FITTING ASSY-HINGE<br>(REPLS ITEM 420)   | A,B      | 1            |

55-40-13

 ILLUSTRATED PARTS LIST  
 01.1 Page 1048G  
 Nov 01/00

| FIG. & ITEM  | PART NO.    | AIRLINE PART NUMBER | NOMENCLATURE<br>1234567  | EFF CODE | QTY PER ASSY |
|--------------|-------------|---------------------|--|----------|--------------|
| 01-<br>R 421 | HL11VAZ10-9 |                     | ATTACHING PARTS<br>....BOLT-<br>(V56878)<br>(SPEC BACB30NW10K9)<br>(OPT B30NW10K9<br>(V97928))<br>(OPT HL11VAZ10-9<br>(V73197))<br>(OPT HL11VAZ10-9<br>(V92215))<br>(OPT HL11VAZ10-9<br>(V97928))<br>(OPT L803-10K9<br>(V06725))<br>(OPT HL11VAZ10-9<br>(V0PTK6))<br>(OPT HL11VAZ10-9<br>(V60516)) | A,B      | 6            |
| R 422        | HL11VAZ10-8 |                     | ....BOLT-<br>(V56878)<br>(SPEC BACB30NW10K8)<br>(OPT B30NW10K8<br>(V97928))<br>(OPT HL11VAZ10-8<br>(V73197))<br>(OPT HL11VAZ10-8<br>(V92215))<br>(OPT HL11VAZ10-8<br>(V97928))<br>(OPT L803-10K8<br>(V06725))<br>(OPT HL11VAZ10-8<br>(V0PTK6))<br>(OPT HL11VAZ10-8<br>(V60516))                    | A,B      | 6            |

55-40-13

ILLUSTRATED PARTS LIST

01.1 Page 1048H

Nov 01/00


**BOEING**  
 COMPONENT  
 MAINTENANCE MANUAL

| FIG. & ITEM | PART NO.        | AIRLINE PART NUMBER | NOMENCLATURE<br>1234567   | EFF CODE | QTY PER ASSY |
|-------------|-----------------|---------------------|---|----------|--------------|
| R 01-423    | HL79-10         |                     | ....COLLAR-<br>(V56878)<br>(SPEC BACC30M10)<br>(OPT HL79-10<br>(V73197))<br>(OPT HL79-10<br>(V92215))<br>(OPT 66014-10<br>(V56878))<br>(OPT HL79-10<br>(V5M902))  | A,B      | 12           |
| R 425       | 173T2053-8      |                     | ....SHIM<br>-----*-----   | A,B      | 4            |
| R 427       | 173T2038-2      |                     | .....BUSHING  | A,B      | 1            |
| R 429       | BACB28AM11B024A |                     | .....BUSHING  | A,B      | 1            |
| R 431       | 173T2043-4      |                     | .....FITTING-<br>(USED ON ITEM 419)   | A,B      | 1            |
| R -431A     | 173T2043-2      |                     | .....FITTING-<br>(USED ON ITEM 419A)  | A,B      | 1            |
| R -432      | 173T2045-4      |                     | .....FITTING-<br>(USED ON ITEM 420)   | A,B      | 1            |
| R -432A     | 173T2045-2      |                     | .....FITTING-<br>(USED ON ITEM 420A)  | A,B      | 1            |
| R 461       | 173T2046-3      |                     | ....FITTING ASSY-HINGE<br>(REPLD BY ITEM 461A)  | A,B      | 1            |
| R -461A     | 173T2046-1      |                     | ....FITTING ASSY-HINGE<br>(REPLS ITEM 461)<br>ATTACHING PARTS   | A,B      | 1            |
| R 463       | HL11VAZ10-10    |                     | ....BOLT-<br>(V56878)<br>(SPEC BACB30NW10K10)<br>(OPT B30NW10K10<br>(V97928))<br>(OPT HL11VAZ10-10<br>(V73197))<br>(OPT HL11VAZ10-10<br>(V92215))<br>(OPT HL11VAZ10-10<br>(V97928))<br>(OPT L803-10K10<br>(V06725))<br>(OPT HL11VAZ10-10<br>(V0PTK6))<br>(OPT HL11VAZ10-10<br>(V60516)) | A,B      | 6            |

55-40-13

 ILLUSTRATED PARTS LIST  
 01.1 Page 1048I  
 Nov 01/00

| FIG. & ITEM | PART NO.        | AIRLINE PART NUMBER | NOMENCLATURE<br>1234567  | EFF CODE | QTY PER ASSY |
|-------------|-----------------|---------------------|--|----------|--------------|
| R 01-465A   | BACB30MY8K6     |                     | ....BOLT   | A,B      | 6            |
| R 467       | HL79-10         |                     | ....COLLAR-<br>(V56878)<br>(SPEC BACC30M10)<br>(OPT HL79-10<br>(V73197))<br>(OPT HL79-10<br>(V92215))<br>(OPT 66014-10<br>(V56878))<br>(OPT HL79-10<br>(V5M902)) | A,B      | 6            |
| R 469A      | HL97DU8         |                     | ....COLLAR-<br>(V73197)<br>(SPEC BACC30AB8S)<br>(OPT HL97DU8<br>(V92215))<br>(OPT HL97DU8<br>(V56878))   | A,B      | 6            |
| R 471       | 173T2053-8      |                     | ....SHIM<br>-----*-----  | A,B      | 2            |
| R 473       | 173T2038-7      |                     | .....BUSHING   | A,B      | 1            |
| R 475       | BACB28AM11B024A |                     | .....BUSHING   | A,B      | 1            |
| R 477       | 173T2046-4      |                     | .....FITTING-<br>(USED ON ITEM 461)  | A,B      | 1            |
| R -477A     | 173T2046-2      |                     | .....FITTING-<br>(USED ON ITEM 461A)   | A,B      | 1            |
| R 479       | 173T2013-5      |                     | ....DOOR-INSPECTION<br>ATTACHING PARTS   | A,B      | 3            |
| R 481       | BACB30NT3K3     |                     | ....BOLT<br>-----*-----  | A,B      | 9            |

55-40-13

 ILLUSTRATED PARTS LIST  
 01.1 Page 1048J  
 Nov 01/00


**BOEING**  
 COMPONENT  
 MAINTENANCE MANUAL

| FIG. & ITEM | PART NO.   | AIRLINE PART NUMBER | NOMENCLATURE<br>1234567   | EFF CODE | QTY PER ASSY |
|-------------|------------|---------------------|---|----------|--------------|
| R 01-483A   | BRF200C3D  |                     | ....NUTPLATE-<br>(V52828)<br>(SPEC BACN10JR3CFD)<br>(OPT K51602-3BAC<br>(V15653))<br>(OPT NS202476-02<br>(V80539))<br>(OPT 102F9201-3<br>(V72962))<br>(OPT T8092C1032CD<br>(V11815))<br>ATTACHING PARTS   | A,B      | 9            |
| R 485A      | AF5141-3-2 |                     | ....RIVET-<br>(V53551)<br>(SPEC BACR15DR3A2)<br>(OPT RV541A3-2<br>(V98996))<br>(OPT CCR264CS3-2TT<br>(V11815))<br>-----*-----   | A,B      | 18           |
| R 487       | 173T2053-7 |                     | ....SHIM<br>ATTACHING PARTS   | A,B      | 2            |
| R 491       | HL11VAZ6-5 |                     | ....BOLT-<br>(V56878)<br>(SPEC BACB30NW6K5)<br>(OPT HL11V6-5<br>(V92215))<br>(OPT HL11V6-5<br>(V97928))<br>(OPT L803-6-5<br>(V06725))<br>(OPT B30NW6K5<br>(V97928))<br>(OPT HL11VAZ6-5<br>(V73197))<br>(OPT HL11VAZ6-5<br>(V92215))<br>(OPT HL11VAZ6-5<br>(V97928)) | A,B      | 20           |

55-40-13

 ILLUSTRATED PARTS LIST  
 01.1 Page 1048K  
 Nov 01/00

| FIG. & ITEM | PART NO.    | AIRLINE PART NUMBER | NOMENCLATURE<br>1234567   | EFF CODE | QTY PER ASSY |
|-------------|-------------|---------------------|---|----------|--------------|
| R 01-493    | HL97DU6     |                     | ....COLLAR-<br>(V73197)<br>(SPEC BACC30AB6S)<br>(OPT HL97DU6<br>(V92215))<br>(OPT HL97DU6<br>(V56878))<br>-----*  | A,B      | 20           |
| R 495       | 173T2053-35 |                     | ....SHIM<br>ATTACHING PARTS   | A,B      | 2            |
| R 497       | HL11VAZ6-5  |                     | ....BOLT-<br>(V56878)<br>(SPEC BACB30NW6K5)<br>(OPT HL11V6-5<br>(V92215))<br>(OPT HL11V6-5<br>(V97928))<br>(OPT L803-6-5<br>(V06725))<br>(OPT B30NW6K5<br>(V97928))<br>(OPT HL11VAZ6-5<br>(V73197))<br>(OPT HL11VAZ6-5<br>(V92215))<br>(OPT HL11VAZ6-5<br>(V97928)) | A,B      | 50           |
| R 499       | HL97DU6     |                     | ....COLLAR-<br>(V73197)<br>(SPEC BACC30AB6S)<br>(OPT HL97DU6<br>(V92215))<br>(OPT HL97DU6<br>(V56878))<br>-----*  | A,B      | 50           |

55-40-13

 ILLUSTRATED PARTS LIST  
 01.1 Page 1048L  
 Nov 01/00


**BOEING**  
 COMPONENT  
 MAINTENANCE MANUAL

| FIG. & ITEM | PART NO.    | AIRLINE PART NUMBER | NOMENCLATURE<br>1234567   | EFF CODE | QTY PER ASSY |
|-------------|-------------|---------------------|---|----------|--------------|
| R 01-501    | HL11VAZ6-5  |                     | ....BOLT-<br>(V56878)<br>(SPEC BACB30NW6K5)<br>(OPT HL11V6-5<br>(V92215))<br>(OPT HL11V6-5<br>(V97928))<br>(OPT L803-6-5<br>(V06725))<br>(OPT B30NW6K5<br>(V97928))<br>(OPT HL11VAZ6-5<br>(V73197))<br>(OPT HL11VAZ6-5<br>(V92215))<br>(OPT HL11VAZ6-5<br>(V97928)) | A,B      | 46           |
| R 503       | HL97DU6     |                     | ....COLLAR-<br>(V73197)<br>(SPEC BACC30AB6S)<br>(OPT HL97DU6<br>(V92215))<br>(OPT HL97DU6<br>(V56878))  | A,B      | 46           |
| R 505       | 173T2053-36 |                     | ....SHIM  | A,B      | 2            |
| R 511       | 173T2053-5  |                     | ....SHIM<br>ATTACHING PARTS   | A,B      | 2            |
| R 513       | HL11VAZ6-5  |                     | ....BOLT-<br>(V56878)<br>(SPEC BACB30NW6K5)<br>(OPT HL11V6-5<br>(V92215))<br>(OPT HL11V6-5<br>(V97928))<br>(OPT L803-6-5<br>(V06725))<br>(OPT B30NW6K5<br>(V97928))<br>(OPT HL11VAZ6-5<br>(V73197))<br>(OPT HL11VAZ6-5<br>(V92215))<br>(OPT HL11VAZ6-5<br>(V97928)) | A,B      | 58           |

55-40-13

 ILLUSTRATED PARTS LIST  
 01.1 Page 1048M  
 Nov 01/00

| FIG. & ITEM | PART NO.   | AIRLINE PART NUMBER | NOMENCLATURE<br>1234567   | EFF CODE | QTY PER ASSY |
|-------------|------------|---------------------|---|----------|--------------|
| R 01-517A   | HL97DU6    |                     | ....COLLAR-<br>(V73197)<br>(SPEC BACC30AB6S)<br>(OPT HL97DU6<br>(V92215))<br>(OPT HL97DU6<br>(V56878))<br>-----*  | A,B      | 58           |
| R 521       | 173T2053-1 |                     | ....SHIM  | A,B      | 1            |
| R 523       | 173T2053-2 |                     | ....SHIM<br>ATTACHING PARTS   | A,B      | 1            |
| R 527       | HL11VAZ6-5 |                     | ....BOLT-<br>(V56878)<br>(SPEC BACB30NW6K5)<br>(OPT HL11V6-5<br>(V92215))<br>(OPT HL11V6-5<br>(V97928))<br>(OPT L803-6-5<br>(V06725))<br>(OPT B30NW6K5<br>(V97928))<br>(OPT HL11VAZ6-5<br>(V73197))<br>(OPT HL11VAZ6-5<br>(V92215))<br>(OPT HL11VAZ6-5<br>(V97928)) | A,B      | 4            |
| R 529       | HL11VAZ6-4 |                     | ....BOLT-<br>(V56878)<br>(SPEC BACB30NW6K4)<br>(OPT HL11V6-4<br>(V92215))<br>(OPT HL11V6-4<br>(V97928))<br>(OPT L803-6-4<br>(V06725))<br>(OPT B30NW6K4<br>(V97928))<br>(OPT HL11VAZ6-4<br>(V73197))<br>(OPT HL11VAZ6-4<br>(V92215))<br>(OPT HL11VAZ6-4<br>(V97928)) | A,B      | 2            |

55-40-13

 ILLUSTRATED PARTS LIST  
 01.1 Page 1048N  
 Nov 01/00




**BOEING**  
 COMPONENT  
 MAINTENANCE MANUAL

| FIG. & ITEM | PART NO.   | AIRLINE PART NUMBER | NOMENCLATURE<br>1234567   | EFF CODE | QTY PER ASSY |
|-------------|------------|---------------------|---|----------|--------------|
| R 01-533    | HL97DU6    |                     | ....COLLAR-<br>(V73197)<br>(SPEC BACC30AB6S)<br>(OPT HL97DU6<br>(V92215))<br>(OPT HL97DU6<br>(V56878))<br>-----*-----   | A,B      | 6            |
| R 534       | 173T2053-3 |                     | ....SHIM  | A,B      | 1            |
| R 535       | 173T2053-4 |                     | ....SHIM<br>ATTACHING PARTS   | A,B      | 1            |
| R 536A      | HL11VAZ6-5 |                     | ....BOLT-<br>(V56878)<br>(SPEC BACB30NW6K5)<br>(OPT HL11V6-5<br>(V92215))<br>(OPT HL11V6-5<br>(V97928))<br>(OPT L803-6-5<br>(V06725))<br>(OPT B30NW6K5<br>(V97928))<br>(OPT HL11VAZ6-5<br>(V73197))<br>(OPT HL11VAZ6-5<br>(V92215))<br>(OPT HL11VAZ6-5<br>(V97928)) | A,B      | 6            |
| R 537       | HL97DU6    |                     | ....COLLAR-<br>(V73197)<br>(SPEC BACC30AB6S)<br>(OPT HL97DU6<br>(V92215))<br>(OPT HL97DU6<br>(V56878))<br>-----*-----   | A,B      | 6            |

55-40-13

 ILLUSTRATED PARTS LIST  
 01.1 Page 10480  
 Nov 01/00

| FIG. & ITEM | PART NO.   | AIRLINE PART NUMBER | NOMENCLATURE<br>1234567   | EFF CODE | QTY PER ASSY |
|-------------|------------|---------------------|---|----------|--------------|
| R 01-539    | HL11VAZ6-4 |                     | ....BOLT-<br>(V56878)<br>(SPEC BACB30NW6K4)<br>(OPT HL11V6-4<br>(V92215))<br>(OPT HL11V6-4<br>(V97928))<br>(OPT L803-6-4<br>(V06725))<br>(OPT B30NW6K4<br>(V97928))<br>(OPT HL11VAZ6-4<br>(V73197))<br>(OPT HL11VAZ6-4<br>(V92215))<br>(OPT HL11VAZ6-4<br>(V97928)) | A,B      | 158          |
| R 541       | HL11VAZ6-5 |                     | ....BOLT-<br>(V56878)<br>(SPEC BACB30NW6K5)<br>(OPT HL11V6-5<br>(V92215))<br>(OPT HL11V6-5<br>(V97928))<br>(OPT L803-6-5<br>(V06725))<br>(OPT B30NW6K5<br>(V97928))<br>(OPT HL11VAZ6-5<br>(V73197))<br>(OPT HL11VAZ6-5<br>(V92215))<br>(OPT HL11VAZ6-5<br>(V97928)) | A,B      | 48           |

# 55-40-13

 ILLUSTRATED PARTS LIST  
 01.1 Page 1048P  
 Nov 01/00


**BOEING**  
 COMPONENT  
 MAINTENANCE MANUAL

| FIG. & ITEM | PART NO.   | AIRLINE PART NUMBER | NOMENCLATURE<br>1234567   | EFF CODE | QTY PER ASSY |
|-------------|------------|---------------------|---|----------|--------------|
| R 01-542    | HL11VAZ6-6 |                     | ....BOLT-<br>(V56878)<br>(SPEC BACB30NW6K6)<br>(OPT B30NW6K6<br>(V97928))<br>(OPT HL11VAZ6-6<br>(V73197))<br>(OPT HL11VAZ6-6<br>(V92215))<br>(OPT HL11VAZ6-6<br>(V97928))<br>(OPT L803-6K6<br>(V06725))<br>(OPT HL11VAZ6-6<br>(V0PTK6))<br>(OPT HL11VAZ6-6<br>(V60516)) | A,B      | 4            |
| R 543       | HL11VAZ8-5 |                     | ....BOLT-<br>(V56878)<br>(SPEC BACB30NW8K5)<br>(OPT B30NW8K5<br>(V97928))<br>(OPT HL11VAZ8-5<br>(V73197))<br>(OPT HL11VAZ8-5<br>(V92215))<br>(OPT HL11VAZ8-5<br>(V97928))<br>(OPT L803-8K5<br>(V06725))<br>(OPT HL11VAZ8-5<br>(V0PTK6))<br>(OPT HL11VAZ8-5<br>(V60516)) | A,B      | 6            |

55-40-13

 ILLUSTRATED PARTS LIST  
 01.1 Page 1048Q  
 Nov 01/00

| FIG. & ITEM | PART NO.    | AIRLINE PART NUMBER | NOMENCLATURE<br>1234567   | EFF CODE | QTY PER ASSY |
|-------------|-------------|---------------------|---|----------|--------------|
| R 01-545    | HL11VAZ8-6  |                     | ....BOLT-<br>(V56878)<br>(SPEC BACB30NW8K6)<br>(OPT B30NW8K6<br>(V97928))<br>(OPT HL11VAZ8-6<br>(V73197))<br>(OPT HL11VAZ8-6<br>(V92215))<br>(OPT HL11VAZ8-6<br>(V97928))<br>(OPT L803-8K6<br>(V06725))<br>(OPT HL11VAZ8-6<br>(V0PTK6))<br>(OPT HL11VAZ8-6<br>(V60516)) | A,B      | 30           |
| R 546       | 173T2056-1  |                     | ....CLIP<br>ATTACHING PARTS   | A,B      | 2            |
| R 546H      | BACB30LL4-7 |                     | ....BOLT  | A,B      | 6            |
| R 546N      | BACW10DM8P  |                     | ....WASHER  | A,B      | 2            |
| R 546T      | BACN10JC4CM |                     | ....NUT<br>-----*-----  | A,B      | 6            |
| R 547       | HL97DU6     |                     | ....COLLAR-<br>(V73197)<br>(SPEC BACC30AB6S)<br>(OPT HL97DU6<br>(V92215))<br>(OPT HL97DU6<br>(V56878))  | A,B      | 210          |

# 55-40-13

 ILLUSTRATED PARTS LIST  
 01.1 Page 1048R  
 Nov 01/00


**BOEING**  
 COMPONENT  
 MAINTENANCE MANUAL

| FIG. & ITEM | PART NO.   | AIRLINE PART NUMBER | NOMENCLATURE<br>1234567  | EFF CODE | QTY PER ASSY |
|-------------|------------|---------------------|--|----------|--------------|
| R 01-549    | HL97DU8    |                     | ....COLLAR-<br>(V73197)<br>(SPEC BACC30AB8S)<br>(OPT HL97DU8<br>(V92215))<br>(OPT HL97DU8<br>(V56878))   | A,B      | 36           |
| R 551       | 173T2016-1 |                     | ....BOND ASSY  | A,B      | 1            |
| R 553       | 173T2013-3 |                     | ...DOUBLER-PNL SKIN<br>ATTACHING PARTS   | A,B      | 2            |
| R 555       | HL11VAZ6-4 |                     | ...BOLT-<br>(V56878)<br>(SPEC BACB30NW6K4)<br>(OPT HL11V6-4<br>(V92215))<br>(OPT HL11V6-4<br>(V97928))<br>(OPT L803-6-4<br>(V06725))<br>(OPT B30NW6K4<br>(V97928))<br>(OPT HL11VAZ6-4<br>(V73197))<br>(OPT HL11VAZ6-4<br>(V92215))<br>(OPT HL11VAZ6-4<br>(V97928)) | A,B      | 8            |
| R 557       | HL97DU6    |                     | ...COLLAR-<br>(V73197)<br>(SPEC BACC30AB6S)<br>(OPT HL97DU6<br>(V92215))<br>(OPT HL97DU6<br>(V56878))<br>(OPT ITEM 557A)   | A,B      | 8            |

55-40-13

 ILLUSTRATED PARTS LIST  
 01.1 Page 1048S  
 Nov 01/00

| FIG. & ITEM | PART NO.   | AIRLINE PART NUMBER | NOMENCLATURE<br>1234567  | EFF CODE | QTY PER ASSY |
|-------------|------------|---------------------|--|----------|--------------|
| 01-557A     | KFN305C3   |                     | ...NUT-<br>(V15653)<br>(OPT ITEM 557)<br>-----*-----   | A,B      | 8            |
| R 559       | 173T2013-4 |                     | ...DOUBLER-PNL SKIN<br>ATTACHING PARTS   | A,B      | 2            |
| R 561       | HL11VAZ6-4 |                     | ...BOLT-<br>(V56878)<br>(SPEC BACB30NW6K4)<br>(OPT HL11V6-4<br>(V92215))<br>(OPT HL11V6-4<br>(V97928))<br>(OPT L803-6-4<br>(V06725))<br>(OPT B30NW6K4<br>(V97928))<br>(OPT HL11VAZ6-4<br>(V73197))<br>(OPT HL11VAZ6-4<br>(V92215))<br>(OPT HL11VAZ6-4<br>(V97928))     | A,B      | 8            |
| R 563       | HL11VAZ6-6 |                     | ...BOLT-<br>(V56878)<br>(SPEC BACB30NW6K6)<br>(OPT B30NW6K6<br>(V97928))<br>(OPT HL11VAZ6-6<br>(V73197))<br>(OPT HL11VAZ6-6<br>(V92215))<br>(OPT HL11VAZ6-6<br>(V97928))<br>(OPT L803-6K6<br>(V06725))<br>(OPT HL11VAZ6-6<br>(VOPTK6))<br>(OPT HL11VAZ6-6<br>(V60516)) | A,B      | 2            |

55-40-13

 ILLUSTRATED PARTS LIST  
 01.1 Page 1048T  
 Nov 01/00


**BOEING**  
 COMPONENT  
 MAINTENANCE MANUAL

| FIG. & ITEM | PART NO.    | AIRLINE PART NUMBER | NOMENCLATURE<br>1234567   | EFF CODE | QTY PER ASSY |
|-------------|-------------|---------------------|---|----------|--------------|
| R 01-564    | HL11RA6-6   |                     | ...BOLT-<br>(V56878)<br>(SPEC BACB30NW6R6)<br>(OPT HL11RA6-6<br>(V92215))<br>(OPT HL11RA6-6<br>(V97928))<br>(OPT L803-6R6<br>(V06725))<br>(OPT HL11RA6-6<br>(V73197))<br>(OPT B30NW6R6<br>(V97928))<br>(OPT HL11RA6-6<br>(V0PTK6))<br>(OPT HL11RA6-6<br>(V60516)) | A,B      | 1            |
| R 565       | HL97DU6     |                     | ...COLLAR-<br>(V73197)<br>(SPEC BACC30AB6S)<br>(OPT HL97DU6<br>(V92215))<br>(OPT HL97DU6<br>(V56878))<br>(OPT ITEM 565A)  | A,B      | 11           |
| -565A       | KFN305C3    |                     | ...NUT-<br>(V15653)<br>(OPT ITEM 565)   | A,B      | 11           |
| R 567A      | BACB30UR3K6 |                     | ...BOLT   | A,B      | 2            |
| R 568       | BACB30UR3R6 |                     | ...BOLT   | A,B      | 1            |
| R 569       | 173T2053-43 |                     | ...SHIM<br>-----*   | A,B      | 2            |
| R 571A      | NS202495-02 |                     | ...NUTPLATE-<br>(V80539)<br>(SPEC BACN10KE3DCD)<br>(OPT F51753-3CD<br>(V15653))   | A,B      | 2            |

55-40-13

 ILLUSTRATED PARTS LIST  
 01.1 Page 1048U  
 Nov 01/00

| FIG. & ITEM | PART NO.   | AIRLINE PART NUMBER | NOMENCLATURE<br>1234567  | EFF CODE | QTY PER ASSY |
|-------------|------------|---------------------|--|----------|--------------|
| R 01-573A   | BRF200C3D  |                     | ...NUTPLATE-<br>(V52828)<br>(SPEC BACN10JR3CFD)<br>(OPT K51602-3BAC<br>(V15653))<br>(OPT NS202476-02<br>(V80539))<br>(OPT 102F9201-3<br>(V72962))<br>(OPT T8092C1032CD<br>(V11815))<br>ATTACHING PARTS   | A,B      | 1            |
| R 575       | AF5141-3-2 |                     | ...RIVET-<br>(V53551)<br>(SPEC BACR15DR3A2)<br>(OPT RV541A3-2<br>(V98996))<br>(OPT CCR264CS3-2TT<br>(V11815))<br>-----*-----   | A,B      | 6            |
| R 577       | 173T2013-1 |                     | ...DOUBLER ASSY-SKIN PNL   | A,B      | 1            |
| R 579       | 173T2013-2 |                     | ...DOUBLER ASSY-SKIN PNL<br>ATTACHING PARTS  | A,B      | 1            |
| R 581       | HL11VAZ6-4 |                     | ...BOLT-<br>(V56878)<br>(SPEC BACB30NW6K4)<br>(OPT HL11V6-4<br>(V92215))<br>(OPT HL11V6-4<br>(V97928))<br>(OPT L803-6-4<br>(V06725))<br>(OPT B30NW6K4<br>(V97928))<br>(OPT HL11VAZ6-4<br>(V73197))<br>(OPT HL11VAZ6-4<br>(V92215))<br>(OPT HL11VAZ6-4<br>(V97928)) | A,B      | 128          |

55-40-13

 ILLUSTRATED PARTS LIST  
 01.1 Page 1048V  
 Nov 01/00




**BOEING**  
 COMPONENT  
 MAINTENANCE MANUAL

| FIG. & ITEM | PART NO.   | AIRLINE PART NUMBER | NOMENCLATURE<br>1234567  | EFF CODE | QTY PER ASSY |
|-------------|------------|---------------------|--|----------|--------------|
| R 01-583    | HL11VAZ6-6 |                     | ...BOLT-<br>(V56878)<br>(SPEC BACB30NW6K6)<br>(OPT B30NW6K6<br>(V97928))<br>(OPT HL11VAZ6-6<br>(V73197))<br>(OPT HL11VAZ6-6<br>(V92215))<br>(OPT HL11VAZ6-6<br>(V97928))<br>(OPT L803-6K6<br>(V06725))<br>(OPT HL11VAZ6-6<br>(VOPTK6))<br>(OPT HL11VAZ6-6<br>(V60516)) | A,B      | 9            |
| R 584       | HL11RA6-6  |                     | ...BOLT-<br>(V56878)<br>(SPEC BACB30NW6R6)<br>(OPT HL11RA6-6<br>(V92215))<br>(OPT HL11RA6-6<br>(V97928))<br>(OPT L803-6R6<br>(V06725))<br>(OPT HL11RA6-6<br>(V73197))<br>(OPT B30NW6R6<br>(V97928))<br>(OPT HL11RA6-6<br>(VOPTK6))<br>(OPT HL11RA6-6<br>(V60516))      | A,B      | 3            |

55-40-13

 ILLUSTRATED PARTS LIST  
 01.1 Page 1048W  
 Nov 01/00

| FIG. & ITEM | PART NO.    | AIRLINE PART NUMBER | NOMENCLATURE<br>1234567  | EFF CODE | QTY PER ASSY |
|-------------|-------------|---------------------|--|----------|--------------|
| 01-         |             |                     |  |          |              |
| R 585A      | BACB30UR3K6 |                     | ...BOLT  | A,B      | 9            |
| R 586       | BACB30UR3R6 |                     | ...BOLT  | A,B      | 3            |
| R 587       | HL97DU6     |                     | ...COLLAR-<br>(V73197)<br>(SPEC BACC30AB6S)<br>(OPT HL97DU6<br>(V92215))<br>(OPT HL97DU6<br>(V56878))<br>(OPT ITEM 587A)   | A,B      | 140          |
| -587A       | KFN305C3    |                     | ...NUT-<br>(V15653)<br>(OPT ITEM 587)  | A,B      | 140          |
| R 589       | 173T2053-41 |                     | ...SHIM<br>-----*  | A,B      | 6            |
| R 591A      | NS202495-02 |                     | ...NUTPLATE-<br>(V80539)<br>(SPEC BACN10KE3DCD)<br>(OPT F51753-3CD<br>(V15653))  | A,B      | 3            |
| R 593A      | BRF200C3D   |                     | ...NUTPLATE-<br>(V52828)<br>(SPEC BACN10JR3CFD)<br>(OPT K51602-3BAC<br>(V15653))<br>(OPT NS202476-02<br>(V80539))<br>(OPT 102F9201-3<br>(V72962))<br>(OPT T8092C1032CD<br>(V11815))<br>ATTACHING PARTS | A,B      | 9            |

# 55-40-13

 ILLUSTRATED PARTS LIST  
 01.1 Page 1048X  
 Nov 01/00


**BOEING**  
 COMPONENT  
 MAINTENANCE MANUAL

| FIG. & ITEM | PART NO.    | AIRLINE PART NUMBER | NOMENCLATURE<br>1234567  | EFF CODE | QTY PER ASSY |
|-------------|-------------|---------------------|--|----------|--------------|
| R 01-595    | AF5141-3-2  |                     | ...RIVET-<br>(V53551)<br>(SPEC BACR15DR3A2)<br>(OPT RV541A3-2<br>(V98996))<br>(OPT CCR264CS3-2TT<br>(V11815))<br>-----*  | A,B      | 24           |
| R 627       | 173T2004-17 |                     | ...BOND ASSY-DOUBLER   | A,B      | 1            |
| R 629       | 173T2004-18 |                     | ...BOND ASSY-DOUBLER<br>ATTACHING PARTS  | A,B      | 1            |
| R 631       | HL11VAZ6-4  |                     | ...BOLT-<br>(V56878)<br>(SPEC BACB30NW6K4)<br>(OPT HL11V6-4<br>(V92215))<br>(OPT HL11V6-4<br>(V97928))<br>(OPT L803-6-4<br>(V06725))<br>(OPT B30NW6K4<br>(V97928))<br>(OPT HL11VAZ6-4<br>(V73197))<br>(OPT HL11VAZ6-4<br>(V92215))<br>(OPT HL11VAZ6-4<br>(V97928)) | A,B      | 40           |
| R 633       | HL97DU6     |                     | ...COLLAR-<br>(V73197)<br>(SPEC BACC30AB6S)<br>(OPT HL97DU6<br>(V92215))<br>(OPT HL97DU6<br>(V56878))<br>(OPT ITEM 633A)   | A,B      | 40           |
| -633A       | KFN305C3    |                     | ...NUT-<br>(V15653)<br>(OPT ITEM 633)<br>-----*  | A,B      | 40           |
| R 635       | 173T2026-1  |                     | ...RIB ASSY-LWR CLOSURE<br>(USED ON ITEM 38C)  | A,B      | 1            |
| -635A       | 173T2026-10 |                     | ...RIB ASSY-LWR CLOSURE<br>(USED ON ITEM 38D)  | B        | 1            |

55-40-13

 ILLUSTRATED PARTS LIST  
 01.1 Page 1048Y  
 Nov 01/00

| FIG. & ITEM | PART NO.   | AIRLINE PART NUMBER | NOMENCLATURE<br>1234567   | EFF CODE | QTY PER ASSY |
|-------------|------------|---------------------|---|----------|--------------|
| 01-         |            |                     |   |          |              |
| R 637       | HL11VAZ6-4 |                     | ATTACHING PARTS<br>...BOLT-<br>(V56878)<br>(SPEC BACB30NW6K4)<br>(OPT HL11V6-4<br>(V92215))<br>(OPT HL11V6-4<br>(V97928))<br>(OPT L803-6-4<br>(V06725))<br>(OPT B30NW6K4<br>(V97928))<br>(OPT HL11VAZ6-4<br>(V73197))<br>(OPT HL11VAZ6-4<br>(V92215))<br>(OPT HL11VAZ6-4<br>(V97928)) | A,B      | 30           |
| R 638       | HL11RA6-4  |                     | ...BOLT-<br>(V56878)<br>(SPEC BACB30NW6R4)<br>(OPT HL11RA6-4<br>(V92215))<br>(OPT HL11RA6-4<br>(V97928))<br>(OPT L803-6R4<br>(V06725))<br>(OPT HL11RA6-4<br>(V73197))<br>(OPT B30NW6R4<br>(V97928))<br>(OPT HL11RA6-4<br>(VOPTK6))<br>(OPT HL11RA6-4<br>(V60516))                     | A,B      | 3            |

55-40-13

 ILLUSTRATED PARTS LIST  
 01.1 Page 1048Z  
 Nov 01/00


**BOEING**  
 COMPONENT  
 MAINTENANCE MANUAL

| FIG. & ITEM | PART NO.   | AIRLINE PART NUMBER | NOMENCLATURE<br>1234567  | EFF CODE | QTY PER ASSY |
|-------------|------------|---------------------|--|----------|--------------|
| R 01-639    | HL11VAZ6-3 |                     | ...BOLT-<br>(V56878)<br>(SPEC BACB30NW6K3)<br>(OPT B30NW6K3<br>(V97928))<br>(OPT HL11VAZ6-3<br>(V73197))<br>(OPT HL11VAZ6-3<br>(V92215))<br>(OPT HL11VAZ6-3<br>(V97928))<br>(OPT L803-6K3<br>(V06725))<br>(OPT HL11VAZ6-3<br>(VOPTK6))<br>(OPT HL11VAZ6-3<br>(V60516)) | A,B      | 24           |
| R 640       | HL11RA6-3  |                     | ...BOLT-<br>(V56878)<br>(SPEC BACB30NW6R3)<br>(OPT HL11RA6-3<br>(V92215))<br>(OPT HL11RA6-3<br>(V97928))<br>(OPT L803-6R3<br>(V06725))<br>(OPT HL11RA6-3<br>(V73197))<br>(OPT B30NW6R3<br>(V97928))<br>(OPT HL11RA6-3<br>(VOPTK6))<br>(OPT HL11RA6-3<br>(V60516))      | A,B      | 1            |
| R 641       | HL97DU6    |                     | ...COLLAR-<br>(V73197)<br>(SPEC BACC30AB6S)<br>(OPT HL97DU6<br>(V92215))<br>(OPT HL97DU6<br>(V56878))<br>(OPT ITEM 641A)   | A,B      | 58           |
| -641A       | KFN305C3   |                     | ...NUT-<br>(V15653)<br>(OPT ITEM 641)  | A,B      | 58           |

55-40-13

ILLUSTRATED PARTS LIST

01.1

Page 1049

Nov 01/00

| FIG. & ITEM | PART NO.    | AIRLINE PART NUMBER | NOMENCLATURE<br>1234567   | EFF CODE | QTY PER ASSY |
|-------------|-------------|---------------------|---|----------|--------------|
| 01-         |             |                     |   |          |              |
| R 643A      | BACB30UR3K4 |                     | ...BOLT   | A,B      | 30           |
| R 644       | BACB30UR3R4 |                     | ...BOLT   | A,B      | 3            |
| R 645A      | BACB30UR3K3 |                     | ...BOLT   | A,B      | 24           |
| R 646       | BACB30UR3R3 |                     | ...BOLT   | A,B      | 1            |
|             |             |                     | -----*-----   |          |              |
| R 647       | 173T2026-4  |                     | ....BOND ASSY-STIFFENER<br>ATTACHING PARTS  | A,B      | 1            |
| R 649       | HL11VAZ6-3  |                     | ....BOLT-<br>(V56878)<br>(SPEC BACB30NW6K3)<br>(OPT B30NW6K3<br>(V97928))<br>(OPT HL11VAZ6-3<br>(V73197))<br>(OPT HL11VAZ6-3<br>(V92215))<br>(OPT HL11VAZ6-3<br>(V97928))<br>(OPT L803-6K3<br>(V06725))<br>(OPT HL11VAZ6-3<br>(V0PTK6))<br>(OPT HL11VAZ6-3<br>(V60516)) | A,B      | 23           |
| R 651       | HL97DU6     |                     | ....COLLAR-<br>(V73197)<br>(SPEC BACC30AB6S)<br>(OPT HL97DU6<br>(V92215))<br>(OPT HL97DU6<br>(V56878))<br>(OPT ITEM 651A)   | A,B      | 23           |
| -651A       | KFN305C3    |                     | ....NUT-<br>(V15653)<br>(OPT ITEM 651)<br>-----*-----   | A,B      | 23           |

55-40-13

 ILLUSTRATED PARTS LIST  
 01.1 Page 1050  
 Nov 01/00

**BOEING**  
 COMPONENT  
 MAINTENANCE MANUAL

| FIG. & ITEM | PART NO.   | AIRLINE PART NUMBER | NOMENCLATURE<br>1234567  | EFF CODE | QTY PER ASSY |
|-------------|------------|---------------------|--|----------|--------------|
| R 01-653    | 173T2026-5 |                     | ....RIB-SPLICE PLATE ATTACHING PARTS   | A,B      | 1            |
| R 655       | HL11VAZ6-3 |                     | ....BOLT-<br>(V56878)<br>(SPEC BACB30NW6K3)<br>(OPT B30NW6K3 (V97928))<br>(OPT HL11VAZ6-3 (V73197))<br>(OPT HL11VAZ6-3 (V92215))<br>(OPT HL11VAZ6-3 (V97928))<br>(OPT L803-6K3 (V06725))<br>(OPT HL11VAZ6-3 (V0PTK6))<br>(OPT HL11VAZ6-3 (V60516)) | A,B      | 20           |
| R 657       | HL97DU6    |                     | ....COLLAR-<br>(V73197)<br>(SPEC BACC30AB6S)<br>(OPT HL97DU6 (V92215))<br>(OPT HL97DU6 (V56878))<br>(OPT ITEM 657A)  | A,B      | 20           |
| -657A       | KFN305C3   |                     | ....NUT-<br>(V15653)<br>(OPT ITEM 657)<br>-----*   | A,B      | 20           |

**55-40-13**

ILLUSTRATED PARTS LIST  
 01.1 Page 1050A  
 Nov 01/00

| FIG. & ITEM | PART NO.    | AIRLINE PART NUMBER | NOMENCLATURE<br>1234567  | EFF CODE | QTY PER ASSY |
|-------------|-------------|---------------------|--|----------|--------------|
| R 01-659    | 173T2026-3  |                     | ....BOND ASSY-FWD RIB<br>(USED ON ITEM 635)  | A,B      | 1            |
| -659A       | 173T2026-11 |                     | ....BOND ASSY-FWD RIB<br>(USED ON ITEM 635A)   | B        | 1            |
| R 661       | 173T2026-2  |                     | ....BOND ASSY-AFT RIB  | A,B      | 1            |
| R 663A      | BRF200C3D   |                     | ...NUTPLATE-<br>(V52828)<br>(SPEC BACN10JR3CFD)<br>(OPT K51602-3BAC<br>(V15653))<br>(OPT NS202476-02<br>(V80539))<br>(OPT 102F9201-3<br>(V72962))<br>(OPT T8092C1032CD<br>(V11815))  | A,B      | 58           |
| R 667       | AF5141-3-2  |                     | ATTACHING PARTS<br>...RIVET-<br>(V53551)<br>(SPEC BACR15DR3A2)<br>(OPT RV541A3-2<br>(V98996))<br>(OPT CCR264CS3-2TT<br>(V11815))<br>-----*   | A,B      | 116          |
| R 668       | 173T2053-46 |                     | ...SHIM  | A,B      | 1            |
| R 669       | 173T2027-1  |                     | ...RIB ASSY<br>ATTACHING PARTS   | A,B      | 1            |
| R 673       | HL11VAZ6-4  |                     | ...BOLT-<br>(V56878)<br>(SPEC BACB30NW6K4)<br>(OPT HL11V6-4<br>(V92215))<br>(OPT HL11V6-4<br>(V97928))<br>(OPT L803-6-4<br>(V06725))<br>(OPT B30NW6K4<br>(V97928))<br>(OPT HL11VAZ6-4<br>(V73197))<br>(OPT HL11VAZ6-4<br>(V92215))<br>(OPT HL11VAZ6-4<br>(V97928)) | A,B      | 25           |

55-40-13

 ILLUSTRATED PARTS LIST  
 01.1 Page 1050B  
 Nov 01/00




**BOEING**  
 COMPONENT  
 MAINTENANCE MANUAL

| FIG. & ITEM | PART NO.   | AIRLINE PART NUMBER | NOMENCLATURE<br>1234567  | EFF CODE | QTY PER ASSY |
|-------------|------------|---------------------|--|----------|--------------|
| R 01-674    | HL11RA6-4  |                     | ...BOLT-<br>(V56878)<br>(SPEC BACB30NW6R4)<br>(OPT HL11RA6-4<br>(V92215))<br>(OPT HL11RA6-4<br>(V97928))<br>(OPT L803-6R4<br>(V06725))<br>(OPT HL11RA6-4<br>(V73197))<br>(OPT B30NW6R4<br>(V97928))<br>(OPT HL11RA6-4<br>(V0PTK6))<br>(OPT HL11RA6-4<br>(V60516))  | A,B      | 1            |
| R 675       | HL11VAZ6-5 |                     | ...BOLT-<br>(V56878)<br>(SPEC BACB30NW6K5)<br>(OPT HL11V6-5<br>(V92215))<br>(OPT HL11V6-5<br>(V97928))<br>(OPT L803-6-5<br>(V06725))<br>(OPT B30NW6K5<br>(V97928))<br>(OPT HL11VAZ6-5<br>(V73197))<br>(OPT HL11VAZ6-5<br>(V92215))<br>(OPT HL11VAZ6-5<br>(V97928)) | A,B      | 1            |

55-40-13

 ILLUSTRATED PARTS LIST  
 01.1 Page 1050C  
 Nov 01/00

| FIG. & ITEM | PART NO.    | AIRLINE PART NUMBER | NOMENCLATURE<br>1234567  | EFF CODE | QTY PER ASSY |
|-------------|-------------|---------------------|--|----------|--------------|
| R 01-677    | HL97DU6     |                     | ...COLLAR-<br>(V73197)<br>(SPEC BACC30AB6S)<br>(OPT HL97DU6<br>(V92215))<br>(OPT HL97DU6<br>(V56878))<br>(OPT ITEM 677A)   | A,B      | 27           |
| -677A       | KFN305C3    |                     | ...NUT-<br>(V15653)<br>(OPT ITEM 677)  | A,B      | 27           |
| R 679A      | BACB30UR3K4 |                     | ...BOLT  | A,B      | 25           |
| R 680       | BACB30UR3R4 |                     | ...BOLT  | A,B      | 1            |
| R 681A      | BACB30UR3K5 |                     | ...BOLT  | A,B      | 1            |
| R 683       | 173T2053-42 |                     | ...SHIM<br>-----*  | A,B      | 2            |
| R 687A      | NS202495-02 |                     | ...NUTPLATE-<br>(V80539)<br>(SPEC BACN10KE3DCD)<br>(OPT F51753-3CD<br>(V15653))  | A,B      | 2            |
| R 689A      | BRF200C3D   |                     | ...NUTPLATE-<br>(V52828)<br>(SPEC BACN10JR3CFD)<br>(OPT K51602-3BAC<br>(V15653))<br>(OPT NS202476-02<br>(V80539))<br>(OPT 102F9201-3<br>(V72962))<br>(OPT T8092C1032CD<br>(V11815))<br>ATTACHING PARTS | A,B      | 25           |

55-40-13

 ILLUSTRATED PARTS LIST  
 01.1 Page 1050D  
 Nov 01/00


**BOEING**  
 COMPONENT  
 MAINTENANCE MANUAL

| FIG. & ITEM | PART NO.   | AIRLINE PART NUMBER | NOMENCLATURE<br>1234567  | EFF CODE | QTY PER ASSY |
|-------------|------------|---------------------|--|----------|--------------|
| R 01-691    | AF5141-3-2 |                     | ...RIVET-<br>(V53551)<br>(SPEC BACR15DR3A2)<br>(OPT RV541A3-2<br>(V98996))<br>(OPT CCR264CS3-2TT<br>(V11815))<br>-----*  | A,B      | 54           |
| R 693       | 173T2028-1 |                     | ...RIB ASSY<br>ATTACHING PARTS   | A,B      | 1            |
| R 697       | HL11VAZ6-4 |                     | ...BOLT-<br>(V56878)<br>(SPEC BACB30NW6K4)<br>(OPT HL11V6-4<br>(V92215))<br>(OPT HL11V6-4<br>(V97928))<br>(OPT L803-6-4<br>(V06725))<br>(OPT B30NW6K4<br>(V97928))<br>(OPT HL11VAZ6-4<br>(V73197))<br>(OPT HL11VAZ6-4<br>(V92215))<br>(OPT HL11VAZ6-4<br>(V97928)) | A,B      | 20           |
| R 699A      | HL11RA6-3  |                     | ...BOLT-<br>(V56878)<br>(SPEC BACB30NW6R3)<br>(OPT HL11RA6-3<br>(V92215))<br>(OPT HL11RA6-3<br>(V97928))<br>(OPT L803-6R3<br>(V06725))<br>(OPT HL11RA6-3<br>(V73197))<br>(OPT B30NW6R3<br>(V97928))<br>(OPT HL11RA6-3<br>(V0PTK6))<br>(OPT HL11RA6-3<br>(V60516))  | A,B      | 1            |

55-40-13

 ILLUSTRATED PARTS LIST  
 01.1 Page 1050E  
 Nov 01/00

| FIG. & ITEM | PART NO.    | AIRLINE PART NUMBER | NOMENCLATURE<br>1234567  | EFF CODE | QTY PER ASSY |
|-------------|-------------|---------------------|--|----------|--------------|
| R 01-701    | HL11VAZ6-5  |                     | ...BOLT-<br>(V56878)<br>(SPEC BACB30NW6K5)<br>(OPT HL11V6-5<br>(V92215))<br>(OPT HL11V6-5<br>(V97928))<br>(OPT L803-6-5<br>(V06725))<br>(OPT B30NW6K5<br>(V97928))<br>(OPT HL11VAZ6-5<br>(V73197))<br>(OPT HL11VAZ6-5<br>(V92215))<br>(OPT HL11VAZ6-5<br>(V97928)) | A,B      | 1            |
| R 703       | HL97DU6     |                     | ...COLLAR-<br>(V73197)<br>(SPEC BACC30AB6S)<br>(OPT HL97DU6<br>(V92215))<br>(OPT HL97DU6<br>(V56878))<br>(OPT ITEM 703A)   | A,B      | 22           |
| -703A       | KFN305C3    |                     | ...NUT-<br>(V15653)<br>(OPT ITEM 703)  | A,B      | 22           |
| R 705A      | BACB30UR3K4 |                     | ...BOLT  | A,B      | 20           |
| R 707A      | BACB30UR3R3 |                     | ...BOLT  | A,B      | 1            |
| R 709A      | BACB30UR3K5 |                     | ...BOLT  | A,B      | 1            |
| R 711       | 173T2053-42 |                     | ...SHIM  | A,B      | 2            |
| R 713A      | NS202495-02 |                     | -----*-----<br>...NUTPLATE-<br>(V80539)<br>(SPEC BACN10KE3DCD)<br>(OPT F51753-3CD<br>(V15653))   | A,B      | 3            |

55-40-13

 ILLUSTRATED PARTS LIST  
 01.1 Page 1050F  
 Nov 01/00


**BOEING**  
 COMPONENT  
 MAINTENANCE MANUAL

| FIG. & ITEM | PART NO.   | AIRLINE PART NUMBER | NOMENCLATURE<br>1234567  | EFF CODE | QTY PER ASSY |
|-------------|------------|---------------------|--|----------|--------------|
| R 01-715A   | BRF200C3D  |                     | ...NUTPLATE-<br>(V52828)<br>(SPEC BACN10JR3CFD)<br>(OPT K51602-3BAC<br>(V15653))<br>(OPT NS202476-02<br>(V80539))<br>(OPT 102F9201-3<br>(V72962))<br>(OPT T8092C1032CD<br>(V11815))<br>ATTACHING PARTS   | A,B      | 19           |
| R 717       | AF5141-3-2 |                     | ...RIVET-<br>(V53551)<br>(SPEC BACR15DR3A2)<br>(OPT RV541A3-2<br>(V98996))<br>(OPT CCR264CS3-2TT<br>(V11815))<br>-----*  | A,B      | 44           |
| R 719       | 173T2029-1 |                     | ...RIB ASSY<br>ATTACHING PARTS   | A,B      | 1            |
| R 723       | HL11VAZ6-4 |                     | ...BOLT-<br>(V56878)<br>(SPEC BACB30NW6K4)<br>(OPT HL11V6-4<br>(V92215))<br>(OPT HL11V6-4<br>(V97928))<br>(OPT L803-6-4<br>(V06725))<br>(OPT B30NW6K4<br>(V97928))<br>(OPT HL11VAZ6-4<br>(V73197))<br>(OPT HL11VAZ6-4<br>(V92215))<br>(OPT HL11VAZ6-4<br>(V97928)) | A,B      | 18           |

55-40-13

 ILLUSTRATED PARTS LIST  
 01.1 Page 1050G  
 Nov 01/00

| FIG. & ITEM | PART NO.   | AIRLINE PART NUMBER | NOMENCLATURE<br>1234567  | EFF CODE | QTY PER ASSY |
|-------------|------------|---------------------|--|----------|--------------|
| R 01-725A   | HL11RA6-3  |                     | ...BOLT-<br>(V56878)<br>(SPEC BACB30NW6R3)<br>(OPT HL11RA6-3<br>(V92215))<br>(OPT HL11RA6-3<br>(V97928))<br>(OPT L803-6R3<br>(V06725))<br>(OPT HL11RA6-3<br>(V73197))<br>(OPT B30NW6R3<br>(V97928))<br>(OPT HL11RA6-3<br>(VOPTK6))<br>(OPT HL11RA6-3<br>(V60516))  | A,B      | 1            |
| R 727       | HL11VAZ6-5 |                     | ...BOLT-<br>(V56878)<br>(SPEC BACB30NW6K5)<br>(OPT HL11V6-5<br>(V92215))<br>(OPT HL11V6-5<br>(V97928))<br>(OPT L803-6-5<br>(V06725))<br>(OPT B30NW6K5<br>(V97928))<br>(OPT HL11VAZ6-5<br>(V73197))<br>(OPT HL11VAZ6-5<br>(V92215))<br>(OPT HL11VAZ6-5<br>(V97928)) | A,B      | 1            |

# 55-40-13

 ILLUSTRATED PARTS LIST  
 01.1 Page 1050H  
 Nov 01/00


**BOEING**  
 COMPONENT  
 MAINTENANCE MANUAL

| FIG. & ITEM | PART NO.    | AIRLINE PART NUMBER | NOMENCLATURE<br>1234567   | EFF CODE | QTY PER ASSY |
|-------------|-------------|---------------------|---|----------|--------------|
| R 01-729    | HL97DU6     |                     | ...COLLAR-<br>(V73197)<br>(SPEC BACC30AB6S)<br>(OPT HL97DU6<br>(V92215))<br>(OPT HL97DU6<br>(V56878))<br>(OPT ITEM 729A)  | A,B      | 20           |
| -729A       | KFN305C3    |                     | ...NUT-<br>(V15653)<br>(OPT ITEM 729)   | A,B      | 20           |
| R 731A      | BACB30UR3K4 |                     | ...BOLT   | A,B      | 18           |
| R 733A      | BACB30UR3R3 |                     | ...BOLT   | A,B      | 1            |
| R 735A      | BACB30UR3K5 |                     | ...BOLT   | A,B      | 1            |
| R 737       | 173T2053-42 |                     | ...SHIM<br>-----*-----  | A,B      | 2            |
| R 739A      | BRF200C3D   |                     | ...NUTPLATE-<br>(V52828)<br>(SPEC BACN10JR3CFD)<br>(OPT K51602-3BAC<br>(V15653))<br>(OPT NS202476-02<br>(V80539))<br>(OPT 102F9201-3<br>(V72962))<br>(OPT T8092C1032CD<br>(V11815)) | A,B      | 17           |
| R 741A      | NS202495-02 |                     | ...NUTPLATE-<br>(V80539)<br>(SPEC BACN10KE3DCD)<br>(OPT F51753-3CD<br>(V15653))<br>ATTACHING PARTS  | A,B      | 3            |

55-40-13

 ILLUSTRATED PARTS LIST  
 01.1 Page 1050I  
 Nov 01/00

| FIG. & ITEM | PART NO.   | AIRLINE PART NUMBER | NOMENCLATURE<br>1234567  | EFF CODE   | QTY PER ASSY |
|-------------|------------|---------------------|--|------------|--------------|
| R 01-743    | AF5141-3-2 |                     | ...RIVET-<br>(V53551)<br>(SPEC BACR15DR3A2)<br>(OPT RV541A3-2<br>(V98996))<br>(OPT CCR264CS3-2TT<br>(V11815))<br>-----*  | A,B        | 40           |
| R 745       | 173T2030-1 |                     | ...RIB ASSY  | A,B        | 1            |
| R 746       | HL11VAZ6-4 |                     | ...BOLT-<br>(V56878)<br>(SPEC BACB30NW6K4)<br>(OPT HL11V6-4<br>(V92215))<br>(OPT HL11V6-4<br>(V97928))<br>(OPT L803-6-4<br>(V06725))<br>(OPT B30NW6K4<br>(V97928))<br>(OPT HL11VAZ6-4<br>(V73197))<br>(OPT HL11VAZ6-4<br>(V92215))<br>(OPT HL11VAZ6-4<br>(V97928))                   | A,B<br>A,B | 17           |
| R 747A      | HL11RA6-3  |                     | ATTACHING PARTS<br>...BOLT-<br>(V56878)<br>(SPEC BACB30NW6R3)<br>(OPT HL11RA6-3<br>(V92215))<br>(OPT HL11RA6-3<br>(V97928))<br>(OPT L803-6R3<br>(V06725))<br>(OPT HL11RA6-3<br>(V73197))<br>(OPT B30NW6R3<br>(V97928))<br>(OPT HL11RA6-3<br>(VOPTK6))<br>(OPT HL11RA6-3<br>(V60516)) | A,B        | 1            |

55-40-13

ILLUSTRATED PARTS LIST

01.1 Page 1050J

Nov 01/00




**BOEING**  
 COMPONENT  
 MAINTENANCE MANUAL

| FIG. & ITEM | PART NO.    | AIRLINE PART NUMBER | NOMENCLATURE<br>1234567  | EFF CODE | QTY PER ASSY |
|-------------|-------------|---------------------|--|----------|--------------|
| R 01-748    | HL11VAZ6-5  |                     | ...BOLT-<br>(V56878)<br>(SPEC BACB30NW6K5)<br>(OPT HL11V6-5<br>(V92215))<br>(OPT HL11V6-5<br>(V97928))<br>(OPT L803-6-5<br>(V06725))<br>(OPT B30NW6K5<br>(V97928))<br>(OPT HL11VAZ6-5<br>(V73197))<br>(OPT HL11VAZ6-5<br>(V92215))<br>(OPT HL11VAZ6-5<br>(V97928)) | A,B      | 1            |
| R 749       | HL97DU6     |                     | ...COLLAR-<br>(V73197)<br>(SPEC BACC30AB6S)<br>(OPT HL97DU6<br>(V92215))<br>(OPT HL97DU6<br>(V56878))<br>(OPT ITEM 749A)   | A,B      | 19           |
| -749A       | KFN305C3    |                     | ...NUT-<br>(V15653)<br>(OPT ITEM 749)  | A,B      | 19           |
| R 750A      | BACB30UR3K4 |                     | ...BOLT  | A,B      | 17           |
| R 751A      | BACB30UR3R3 |                     | ...BOLT  | A,B      | 1            |
| R 752A      | BACB30UR3K5 |                     | ...BOLT  | A,B      | 1            |
| R 753       | 173T2053-42 |                     | ...SHIM<br>-----*  | A,B      | 2            |
| R 754A      | BRF200C3D   |                     | ...NUTPLATE-<br>(V52828)<br>(SPEC BACN10JR3CFD)<br>(OPT K51602-3BAC<br>(V15653))<br>(OPT NS202476-02<br>(V80539))<br>(OPT 102F9201-3<br>(V72962))<br>(OPT T8092C1032CD<br>(V11815))  | A,B      | 16           |

55-40-13

 ILLUSTRATED PARTS LIST  
 01.1 Page 1050K  
 Nov 01/00

| FIG. & ITEM | PART NO.    | AIRLINE PART NUMBER | NOMENCLATURE<br>1234567  | EFF CODE | QTY PER ASSY |
|-------------|-------------|---------------------|--|----------|--------------|
| R 01-755B   | NS202495-02 |                     | ...NUTPLATE-<br>(V80539)<br>(SPEC BACN10KE3DCD)<br>(OPT F51753-3CD<br>(V15653))<br>ATTACHING PARTS   | A,B      | 3            |
| R 756       | AF5141-3-2  |                     | ...RIVET-<br>(V53551)<br>(SPEC BACR15DR3A2)<br>(OPT RV541A3-2<br>(V98996))<br>(OPT CCR264CS3-2TT<br>(V11815))<br>-----*  | A,B      | 38           |
| R 757       | 173T2031-1  |                     | ...RIB ASSY<br>ATTACHING PARTS   | A,B      | 1            |
| R 759       | HL11VAZ6-7  |                     | ...BOLT-<br>(V56878)<br>(SPEC BACB30NW6K7)<br>(OPT HL11V6-7<br>(V92215))<br>(OPT HL11V6-7<br>(V97928))<br>(OPT L803-6-7<br>(V06725))<br>(OPT B30NW6K7<br>(V97928))<br>(OPT HL11VAZ6-7<br>(V73197))<br>(OPT HL11VAZ6-7<br>(V92215))<br>(OPT HL11VAZ6-7<br>(V97928)) | A,B      | 1            |

# 55-40-13

 ILLUSTRATED PARTS LIST  
 01.1 Page 1050L  
 Nov 01/00


**BOEING**  
 COMPONENT  
 MAINTENANCE MANUAL

| FIG. & ITEM | PART NO.   | AIRLINE PART NUMBER | NOMENCLATURE<br>1234567  | EFF CODE | QTY PER ASSY |
|-------------|------------|---------------------|--|----------|--------------|
| R 01-761    | HL11VAZ6-5 |                     | ...BOLT-<br>(V56878)<br>(SPEC BACB30NW6K5)<br>(OPT HL11V6-5<br>(V92215))<br>(OPT HL11V6-5<br>(V97928))<br>(OPT L803-6-5<br>(V06725))<br>(OPT B30NW6K5<br>(V97928))<br>(OPT HL11VAZ6-5<br>(V73197))<br>(OPT HL11VAZ6-5<br>(V92215))<br>(OPT HL11VAZ6-5<br>(V97928)) | A,B      | 15           |
| R 762       | HL11RA6-5  |                     | ...BOLT-<br>(V56878)<br>(SPEC BACB30NW6R5)<br>(OPT HL11RA6-5<br>(V92215))<br>(OPT HL11RA6-5<br>(V97928))<br>(OPT L803-6R5<br>(V06725))<br>(OPT HL11RA6-5<br>(V73197))<br>(OPT B30NW6R5<br>(V97928))<br>(OPT HL11RA6-5<br>(VOPTK6))<br>(OPT HL11RA6-5<br>(V60516))  | A,B      | 2            |

55-40-13

 ILLUSTRATED PARTS LIST  
 01.1 Page 1050M  
 Nov 01/00

| FIG. & ITEM | PART NO.    | AIRLINE PART NUMBER | NOMENCLATURE<br>1234567  | EFF CODE | QTY PER ASSY |
|-------------|-------------|---------------------|--|----------|--------------|
| R 01-763    | HL97DU6     |                     | ...COLLAR-<br>(V73197)<br>(SPEC BACC30AB6S)<br>(OPT HL97DU6<br>(V92215))<br>(OPT HL97DU6<br>(V56878))<br>(OPT ITEM 763A)   | A,B      | 18           |
| -763A       | KFN305C3    |                     | ...NUT-<br>(V15653)<br>(OPT ITEM 763)  | A,B      | 18           |
| R 765A      | BACB30UR3K7 |                     | ...BOLT  | A,B      | 1            |
| R 767A      | BACB30UR3K5 |                     | ...BOLT  | A,B      | 15           |
| R 767G      | BACB30UR3R5 |                     | ...BOLT  | A,B      | 2            |
| R 768       | 173T2053-42 |                     | ...SHIM<br>-----*  | A,B      | 2            |
| R 769A      | NS202495-02 |                     | ...NUTPLATE-<br>(V80539)<br>(SPEC BACN10KE3DCD)<br>(OPT F51753-3CD<br>(V15653))  | A,B      | 1            |
| R 771A      | BRF200C3D   |                     | ...NUTPLATE-<br>(V52828)<br>(SPEC BACN10JR3CFD)<br>(OPT K51602-3BAC<br>(V15653))<br>(OPT NS202476-02<br>(V80539))<br>(OPT 102F9201-3<br>(V72962))<br>(OPT T8092C1032CD<br>(V11815))<br>ATTACHING PARTS | A,B      | 17           |

55-40-13

 ILLUSTRATED PARTS LIST  
 01.1 Page 1050N  
 Nov 01/00


**BOEING**  
 COMPONENT  
 MAINTENANCE MANUAL

| FIG. & ITEM | PART NO.   | AIRLINE PART NUMBER | NOMENCLATURE<br>1234567  | EFF CODE | QTY PER ASSY |
|-------------|------------|---------------------|--|----------|--------------|
| R 01-773    | AF5141-3-2 |                     | ...RIVET-<br>(V53551)<br>(SPEC BACR15DR3A2)<br>(OPT RV541A3-2<br>(V98996))<br>(OPT CCR264CS3-2TT<br>(V11815))<br>-----*  | A,B      | 36           |
| R 779       | 173T2032-1 |                     | ...RIB ASSY<br>ATTACHING PARTS   | A,B      | 1            |
| R 783       | HL11VAZ6-3 |                     | ...BOLT-<br>(V56878)<br>(SPEC BACB30NW6K3)<br>(OPT B30NW6K3<br>(V97928))<br>(OPT HL11VAZ6-3<br>(V73197))<br>(OPT HL11VAZ6-3<br>(V92215))<br>(OPT HL11VAZ6-3<br>(V97928))<br>(OPT L803-6K3<br>(V06725))<br>(OPT HL11VAZ6-3<br>(VOPTK6))<br>(OPT HL11VAZ6-3<br>(V60516)) | A,B      | 11           |
| R 784       | HL11RA6-3  |                     | ...BOLT-<br>(V56878)<br>(SPEC BACB30NW6R3)<br>(OPT HL11RA6-3<br>(V92215))<br>(OPT HL11RA6-3<br>(V97928))<br>(OPT L803-6R3<br>(V06725))<br>(OPT HL11RA6-3<br>(V73197))<br>(OPT B30NW6R3<br>(V97928))<br>(OPT HL11RA6-3<br>(VOPTK6))<br>(OPT HL11RA6-3<br>(V60516))      | A,B      | 2            |

55-40-13

 ILLUSTRATED PARTS LIST  
 01.1 Page 10500  
 Nov 01/00

| FIG. & ITEM | PART NO.    | AIRLINE PART NUMBER | NOMENCLATURE<br>1234567  | EFF CODE | QTY PER ASSY |
|-------------|-------------|---------------------|--|----------|--------------|
| R 01-785    | HL11VAZ6-5  |                     | ...BOLT-<br>(V56878)<br>(SPEC BACB30NW6K5)<br>(OPT HL11V6-5<br>(V92215))<br>(OPT HL11V6-5<br>(V97928))<br>(OPT L803-6-5<br>(V06725))<br>(OPT B30NW6K5<br>(V97928))<br>(OPT HL11VAZ6-5<br>(V73197))<br>(OPT HL11VAZ6-5<br>(V92215))<br>(OPT HL11VAZ6-5<br>(V97928)) | A,B      | 1            |
| R 787       | HL97DU6     |                     | ...COLLAR-<br>(V73197)<br>(SPEC BACC30AB6S)<br>(OPT HL97DU6<br>(V92215))<br>(OPT HL97DU6<br>(V56878))<br>(OPT ITEM 787A)   | A,B      | 14           |
| -787A       | KFN305C3    |                     | ...NUT-<br>(V15653)<br>(OPT ITEM 787)  | A,B      | 14           |
| R 789A      | BACB30UR3K3 |                     | ...BOLT  | A,B      | 11           |
| R 790       | BACB30UR3R3 |                     | ...BOLT  | A,B      | 2            |
| R 791A      | BACB30UR3K5 |                     | ...BOLT  | A,B      | 1            |
| R 793       | 173T2053-42 |                     | ...SHIM<br>-----*-----   | A,B      | 2            |
| R 795A      | BRF200C3D   |                     | ...NUTPLATE-<br>(V52828)<br>(SPEC BACN10JR3CFD)<br>(OPT K51602-3BAC<br>(V15653))<br>(OPT NS202476-02<br>(V80539))<br>(OPT 102F9201-3<br>(V72962))<br>(OPT T8092C1032CD<br>(V11815))  | A,B      | 11           |

55-40-13

 ILLUSTRATED PARTS LIST  
 01.1 Page 1050P  
 Nov 01/00


**BOEING**  
 COMPONENT  
 MAINTENANCE MANUAL

| FIG. & ITEM | PART NO.    | AIRLINE PART NUMBER | NOMENCLATURE<br>1234567  | EFF CODE | QTY PER ASSY |
|-------------|-------------|---------------------|--|----------|--------------|
| R 01-797A   | NS202495-02 |                     | ...NUTPLATE-<br>(V80539)<br>(SPEC BACN10KE3DCD)<br>(OPT F51753-3CD<br>(V15653))<br>ATTACHING PARTS   | A,B      | 3            |
| R 799       | AF5141-3-2  |                     | ...RIVET-<br>(V53551)<br>(SPEC BACR15DR3A2)<br>(OPT RV541A3-2<br>(V98996))<br>(OPT CCR264CS3-2TT<br>(V11815))<br>-----*  | A,B      | 28           |
| R -801      | 173T2005-1  |                     | ...SPAR INSTL-REAR<br>ATTACHING PARTS  | A,B      | 1            |
| R 803       | HL11VAZ6-3  |                     | ...BOLT-<br>(V56878)<br>(SPEC BACB30NW6K3)<br>(OPT B30NW6K3<br>(V97928))<br>(OPT HL11VAZ6-3<br>(V73197))<br>(OPT HL11VAZ6-3<br>(V92215))<br>(OPT HL11VAZ6-3<br>(V97928))<br>(OPT L803-6K3<br>(V06725))<br>(OPT HL11VAZ6-3<br>(V0PTK6))<br>(OPT HL11VAZ6-3<br>(V60516)) | A,B      | 250          |

55-40-13

 ILLUSTRATED PARTS LIST  
 01.1 Page 1050Q  
 Nov 01/00

| FIG. & ITEM | PART NO.    | AIRLINE PART NUMBER | NOMENCLATURE<br>1234567  | EFF CODE | QTY PER ASSY |
|-------------|-------------|---------------------|--|----------|--------------|
| R 01-804    | HL11VAZ6-5  |                     | ...BOLT-<br>(V56878)<br>(SPEC BACB30NW6K5)<br>(OPT HL11V6-5<br>(V92215))<br>(OPT HL11V6-5<br>(V97928))<br>(OPT L803-6-5<br>(V06725))<br>(OPT B30NW6K5<br>(V97928))<br>(OPT HL11VAZ6-5<br>(V73197))<br>(OPT HL11VAZ6-5<br>(V92215))<br>(OPT HL11VAZ6-5<br>(V97928)) | A,B      | 11           |
| R 805       | HL97DU6     |                     | ...COLLAR-<br>(V73197)<br>(SPEC BACC30AB6S)<br>(OPT HL97DU6<br>(V92215))<br>(OPT HL97DU6<br>(V56878))<br>(OPT ITEM 805A)   | A,B      | 261          |
| -805A       | KFN305C3    |                     | ...NUT-<br>(V15653)<br>(OPT ITEM 805)  | A,B      | 261          |
| R 807A      | BACB30UR3K3 |                     | ...BOLT  | A,B      | 250          |
| R 808A      | BACB30UR3K5 |                     | ...BOLT  | A,B      | 11           |
| R 809       | 173T2053-39 |                     | ...SHIM  | A,B      | 4            |
| R 811       | 173T2053-40 |                     | ...SHIM  | A,B      | 4            |
| R 813A      | BRF200C3D   |                     | ...NUTPLATE-<br>(V52828)<br>(SPEC BACN10JR3CFD)<br>(OPT K51602-3BAC<br>(V15653))<br>(OPT NS202476-02<br>(V80539))<br>(OPT 102F9201-3<br>(V72962))<br>(OPT T8092C1032CD<br>(V11815))  | A,B      | 261          |

55-40-13

 ILLUSTRATED PARTS LIST  
 01.1 Page 1050R  
 Nov 01/00




**BOEING**  
 COMPONENT  
 MAINTENANCE MANUAL

| FIG. & ITEM | PART NO.    | AIRLINE PART NUMBER | NOMENCLATURE<br>1234567   | EFF CODE | QTY PER ASSY |
|-------------|-------------|---------------------|---|----------|--------------|
| R 01-815    | AF5141-3-2  |                     | ...RIVET-<br>(V53551)<br>(SPEC BACR15DR3A2)<br>(OPT RV541A3-2<br>(V98996))<br>(OPT CCR264CS3-2TT<br>(V11815))<br>-----*   | A,B      | 522          |
| R 817       | 173T2025-15 |                     | ....RIB-LWR CLOSURE<br>ATTACHING PARTS  | A,B      | 1            |
| R 819       | HL11VAZ6-3  |                     | ....BOLT-<br>(V56878)<br>(SPEC BACB30NW6K3)<br>(OPT B30NW6K3<br>(V97928))<br>(OPT HL11VAZ6-3<br>(V73197))<br>(OPT HL11VAZ6-3<br>(V92215))<br>(OPT HL11VAZ6-3<br>(V97928))<br>(OPT L803-6K3<br>(V06725))<br>(OPT HL11VAZ6-3<br>(V0PTK6))<br>(OPT HL11VAZ6-3<br>(V60516)) | A,B      | 5            |
| R 821       | BACB30MY6K3 |                     | ....BOLT  | A,B      | 5            |
| R 823       | HL97DU6     |                     | ....COLLAR-<br>(V73197)<br>(SPEC BACC30AB6S)<br>(OPT HL97DU6<br>(V92215))<br>(OPT HL97DU6<br>(V56878))<br>-----*  | A,B      | 10           |

55-40-13

 ILLUSTRATED PARTS LIST  
 01.1 Page 1050S  
 Nov 01/00

| FIG. & ITEM | PART NO.    | AIRLINE PART NUMBER | NOMENCLATURE<br>1234567  | EFF CODE | QTY PER ASSY |
|-------------|-------------|---------------------|--|----------|--------------|
| R 01-825    | 173T2025-16 |                     | ....RIB-FWD<br>ATTACHING PARTS   | A,B      | 1            |
| R 827       | BACB30MY6K3 |                     | ....BOLT   | A,B      | 10           |
| R 829       | HL97DU6     |                     | ....COLLAR-<br>(V73197)<br>(SPEC BACC30AB6S)<br>(OPT HL97DU6<br>(V92215))<br>(OPT HL97DU6<br>(V56878))<br>-----* | A,B      | 10           |
| R 831       | 173T2025-17 |                     | ....RIB-FWD  | A,B      | 1            |
| R 833       | 173T2025-18 |                     | ....RIB-AFT<br>ATTACHING PARTS   | A,B      | 1            |
| R 835       | BACB30MY6K4 |                     | ....BOLT   | A,B      | 5            |
| R 837       | BACB30MY6K3 |                     | ....BOLT   | A,B      | 10           |
| R 839       | HL97DU6     |                     | ....COLLAR-<br>(V73197)<br>(SPEC BACC30AB6S)<br>(OPT HL97DU6<br>(V92215))<br>(OPT HL97DU6<br>(V56878))<br>-----* | A,B      | 15           |
| R 841       | 173T2025-19 |                     | ....RIB-FWD<br>ATTACHING PARTS   | A,B      | 1            |
| R 843       | BACB30MY6K3 |                     | ....BOLT   | A,B      | 8            |
| R 845       | HL97DU6     |                     | ....COLLAR-<br>(V73197)<br>(SPEC BACC30AB6S)<br>(OPT HL97DU6<br>(V92215))<br>(OPT HL97DU6<br>(V56878))<br>-----* | A,B      | 8            |

55-40-13

 ILLUSTRATED PARTS LIST  
 01.1 Page 1050T  
 Nov 01/00


**BOEING**  
 COMPONENT  
 MAINTENANCE MANUAL

| FIG. & ITEM | PART NO.    | AIRLINE PART NUMBER | NOMENCLATURE<br>1234567   | EFF CODE | QTY PER ASSY |
|-------------|-------------|---------------------|---|----------|--------------|
| 01-         |             |                     |   |          |              |
| R 847       | 173T2025-20 |                     | ....RIB-FWD   | A,B      | 1            |
| R 849       | 173T2025-21 |                     | ....RIB-AFT   | A,B      | 1            |
|             |             |                     | ATTACHING PARTS   |          |              |
| R 851       | BACB30MY6K4 |                     | ....BOLT  | A,B      | 4            |
| R 853       | BACB30MY6K3 |                     | ....BOLT  | A,B      | 8            |
| R 855       | HL97DU6     |                     | ....COLLAR-<br>(V73197)<br>(SPEC BACC30AB6S)<br>(OPT HL97DU6<br>(V92215))<br>(OPT HL97DU6<br>(V56878))<br>-----*----- | A,B      | 12           |
| R 857       | 173T2025-22 |                     | ....RIB-FWD   | A,B      | 1            |
| R 859       | 173T2025-23 |                     | ....RIB-AFT   | A,B      | 1            |
|             |             |                     | ATTACHING PARTS   |          |              |
| R 861       | BACB30MY6K4 |                     | ....BOLT  | A,B      | 3            |
| R 863       | BACB30MY6K3 |                     | ....BOLT  | A,B      | 6            |
| R 865       | HL97DU6     |                     | ....COLLAR-<br>(V73197)<br>(SPEC BACC30AB6S)<br>(OPT HL97DU6<br>(V92215))<br>(OPT HL97DU6<br>(V56878))<br>-----*----- | A,B      | 9            |
| R 867       | 173T2025-24 |                     | ....RIB-FWD   | A,B      | 1            |
| R 869       | 173T2025-25 |                     | ....RIB-AFT   | A,B      | 1            |
|             |             |                     | ATTACHING PARTS   |          |              |
| R 871       | BACB30MY6K4 |                     | ....BOLT  | A,B      | 3            |
| R 873       | BACB30MY6K3 |                     | ....BOLT  | A,B      | 6            |

55-40-13

 ILLUSTRATED PARTS LIST  
 01.1 Page 1050U  
 Nov 01/00

| FIG. & ITEM | PART NO.    | AIRLINE PART NUMBER | NOMENCLATURE<br>1234567  | EFF CODE | QTY PER ASSY |
|-------------|-------------|---------------------|--|----------|--------------|
| R 01-875    | HL97DU6     |                     | ....COLLAR-<br>(V73197)<br>(SPEC BACC30AB6S)<br>(OPT HL97DU6<br>(V92215))<br>(OPT HL97DU6<br>(V56878))<br>-----* | A,B      | 9            |
| R 877       | 173T2025-26 |                     | ....RIB<br>ATTACHING PARTS   | A,B      | 1            |
| R 879       | BACB30MY6K3 |                     | ....BOLT   | A,B      | 4            |
| R 881       | HL97DU6     |                     | ....COLLAR-<br>(V73197)<br>(SPEC BACC30AB6S)<br>(OPT HL97DU6<br>(V92215))<br>(OPT HL97DU6<br>(V56878))<br>-----* | A,B      | 4            |
| R 883       | BACB30MY6K3 |                     | ....BOLT   | A,B      | 2            |
| R 885       | HL97DU6     |                     | ....COLLAR-<br>(V73197)<br>(SPEC BACC30AB6S)<br>(OPT HL97DU6<br>(V92215))<br>(OPT HL97DU6<br>(V56878))           | A,B      | 2            |

55-40-13

 ILLUSTRATED PARTS LIST  
 01.1 Page 1050V  
 Nov 01/00

**BOEING**  
 COMPONENT  
 MAINTENANCE MANUAL

| FIG. & ITEM | PART NO.    | AIRLINE PART NUMBER | NOMENCLATURE<br>1234567  | EFF CODE | QTY PER ASSY |
|-------------|-------------|---------------------|--|----------|--------------|
| 01-         |             |                     |  |          |              |
| R 887       | 173T2015-1  |                     | ....BOND ASSY  | A,B      | 1            |
| R 889       | 173T2025-27 |                     | ...CHANNEL<br>ATTACHING PARTS  | A,B      | 1            |
| R 890       | HL11VAZ8-5  |                     | ...BOLT-<br>(V56878)<br>(SPEC BACB30NW8K5)<br>(OPT B30NW8K5<br>(V97928))<br>(OPT HL11VAZ8-5<br>(V73197))<br>(OPT HL11VAZ8-5<br>(V92215))<br>(OPT HL11VAZ8-5<br>(V97928))<br>(OPT L803-8K5<br>(V06725))<br>(OPT HL11VAZ8-5<br>(V0PTK6))<br>(OPT HL11VAZ8-5<br>(V60516)) | A,B      | 4            |
| R 891       | HL97DU8     |                     | ...COLLAR-<br>(V73197)<br>(SPEC BACC30AB8S)<br>(OPT HL97DU8<br>(V92215))<br>(OPT HL97DU8<br>(V56878))  | A,B      | 4            |
| R 892       | 173T2053-76 |                     | ...SHIM<br>-----*  | A,B      | 2            |
| R 893       | MILP15035   |                     | ...SHIM  | A,B      | AR           |
| R 894       | 173T2028-2  |                     | ...RIB ASSY  | A,B      | 1            |

**55-40-13**

ILLUSTRATED PARTS LIST  
 01.1 Page 1050W  
 Nov 01/00

| FIG. & ITEM | PART NO.   | AIRLINE PART NUMBER | NOMENCLATURE<br>1234567   | EFF CODE | QTY PER ASSY |
|-------------|------------|---------------------|---|----------|--------------|
| R 01-895    | HL11VAZ6-3 |                     | ATTACHING PARTS<br>...BOLT-<br>(V56878)<br>(SPEC BACB30NW6K3)<br>(OPT B30NW6K3<br>(V97928))<br>(OPT HL11VAZ6-3<br>(V73197))<br>(OPT HL11VAZ6-3<br>(V92215))<br>(OPT HL11VAZ6-3<br>(V97928))<br>(OPT L803-6K3<br>(V06725))<br>(OPT HL11VAZ6-3<br>(VOPTK6))<br>(OPT HL11VAZ6-3<br>(V60516)) | A,B      | 17           |
| R 895G      | HL11RA6-3  |                     | ...BOLT-<br>(V56878)<br>(SPEC BACB30NW6R3)<br>(OPT HL11RA6-3<br>(V92215))<br>(OPT HL11RA6-3<br>(V97928))<br>(OPT L803-6R3<br>(V06725))<br>(OPT HL11RA6-3<br>(V73197))<br>(OPT B30NW6R3<br>(V97928))<br>(OPT HL11RA6-3<br>(VOPTK6))<br>(OPT HL11RA6-3<br>(V60516))                         | A,B      | 2            |

55-40-13

 ILLUSTRATED PARTS LIST  
 01.1 Page 1050X  
 Nov 01/00


**BOEING**  
 COMPONENT  
 MAINTENANCE MANUAL

| FIG. & ITEM | PART NO.    | AIRLINE PART NUMBER | NOMENCLATURE<br>1234567   | EFF CODE | QTY PER ASSY |
|-------------|-------------|---------------------|---|----------|--------------|
| R 01-896    | HL97DU6     |                     | ...COLLAR-<br>(V73197)<br>(SPEC BACC30AB6S)<br>(OPT HL97DU6<br>(V92215))<br>(OPT HL97DU6<br>(V56878))<br>(OPT ITEM 896A)  | A,B      | 19           |
| -896A       | KFN305C3    |                     | ...NUT-<br>(V15653)<br>(OPT ITEM 896)   | A,B      | 19           |
| R 897A      | BACB30UR3K3 |                     | ...BOLT   | A,B      | 17           |
| R 897G      | BACB30UR3R3 |                     | ...BOLT   | A,B      | 2            |
|             |             |                     | -----*  |          |              |
| R 898A      | NS202495-02 |                     | ...NUTPLATE-<br>(V80539)<br>(SPEC BACN10KE3DCD)<br>(OPT F51753-3CD<br>(V15653))   | A,B      | 1            |
| R 899A      | BRF200C3D   |                     | ...NUTPLATE-<br>(V52828)<br>(SPEC BACN10JR3CFD)<br>(OPT K51602-3BAC<br>(V15653))<br>(OPT NS202476-02<br>(V80539))<br>(OPT 102F9201-3<br>(V72962))<br>(OPT T8092C1032CD<br>(V11815)) | A,B      | 18           |
| R 901       | AF5141-3-2  |                     | ATTACHING PARTS<br>...RIVET-<br>(V53551)<br>(SPEC BACR15DR3A2)<br>(OPT RV541A3-2<br>(V98996))<br>(OPT CCR264CS3-2TT<br>(V11815))<br>-----*  | A,B      | 38           |
| R 903       | 173T2030-2  |                     | ...RIB ASSY   | A,B      | 1            |

55-40-13

 ILLUSTRATED PARTS LIST  
 01.1 Page 1050Y  
 Nov 01/00

| FIG. & ITEM | PART NO.   | AIRLINE PART NUMBER | NOMENCLATURE<br>1234567   | EFF CODE | QTY PER ASSY |
|-------------|------------|---------------------|---|----------|--------------|
| 01-         |            |                     |   |          |              |
| R 905       | HL11VAZ6-3 |                     | ATTACHING PARTS<br>...BOLT-<br>(V56878)<br>(SPEC BACB30NW6K3)<br>(OPT B30NW6K3<br>(V97928))<br>(OPT HL11VAZ6-3<br>(V73197))<br>(OPT HL11VAZ6-3<br>(V92215))<br>(OPT HL11VAZ6-3<br>(V97928))<br>(OPT L803-6K3<br>(V06725))<br>(OPT HL11VAZ6-3<br>(VOPTK6))<br>(OPT HL11VAZ6-3<br>(V60516)) | A,B      | 17           |
| R 906       | HL11RA6-3  |                     | ...BOLT-<br>(V56878)<br>(SPEC BACB30NW6R3)<br>(OPT HL11RA6-3<br>(V92215))<br>(OPT HL11RA6-3<br>(V97928))<br>(OPT L803-6R3<br>(V06725))<br>(OPT HL11RA6-3<br>(V73197))<br>(OPT B30NW6R3<br>(V97928))<br>(OPT HL11RA6-3<br>(VOPTK6))<br>(OPT HL11RA6-3<br>(V60516))                         | A,B      | 2            |
| R 907       | HL97DU6    |                     | ...COLLAR-<br>(V73197)<br>(SPEC BACC30AB6S)<br>(OPT HL97DU6<br>(V92215))<br>(OPT HL97DU6<br>(V56878))<br>(OPT ITEM 907A)  | A,B      | 19           |

55-40-13

 ILLUSTRATED PARTS LIST  
 01.1 Page 1050Z  
 Nov 01/00




**BOEING**  
 COMPONENT  
 MAINTENANCE MANUAL

| FIG. & ITEM  | PART NO.    | AIRLINE PART NUMBER | NOMENCLATURE<br>1234567  | EFF CODE | QTY PER ASSY |
|--------------|-------------|---------------------|--|----------|--------------|
| 01-<br>-907A | KFN305C3    |                     | ...NUT-<br>(V15653)<br>(OPT ITEM 907)  | A,B      | 19           |
| R 909A       | BACB30UR3K3 |                     | ...BOLT  | A,B      | 17           |
| R 910        | BACB30UR3R3 |                     | ...BOLT<br>-----*-----   | A,B      | 2            |
| R 911A       | NS202495-02 |                     | ...NUTPLATE-<br>(V80539)<br>(SPEC BACN10KE3DCD)<br>(OPT F51753-3CD<br>(V15653))  | A,B      | 1            |
| R 913A       | BRF200C3D   |                     | ...NUTPLATE-<br>(V52828)<br>(SPEC BACN10JR3CFD)<br>(OPT K51602-3BAC<br>(V15653))<br>(OPT NS202476-02<br>(V80539))<br>(OPT 102F9201-3<br>(V72962))<br>(OPT T8092C1032CD<br>(V11815))<br>ATTACHING PARTS | A,B      | 18           |
| R 915        | AF5141-3-2  |                     | ...RIVET-<br>(V53551)<br>(SPEC BACR15DR3A2)<br>(OPT RV541A3-2<br>(V98996))<br>(OPT CCR264CS3-2TT<br>(V11815))<br>-----*-----   | A,B      | 38           |

55-40-13

 ILLUSTRATED PARTS LIST  
 01.1 Page 1051  
 Nov 01/00

| FIG. & ITEM | PART NO.   | AIRLINE PART NUMBER | NOMENCLATURE<br>1234567  | EFF CODE | QTY PER ASSY |
|-------------|------------|---------------------|--|----------|--------------|
| R 01-916    | 173T2032-2 |                     | ...RIB ASSY<br>ATTACHING PARTS   | A,B      | 1            |
| R 917       | HL11VAZ6-3 |                     | ...BOLT-<br>(V56878)<br>(SPEC BACB30NW6K3)<br>(OPT B30NW6K3<br>(V97928))<br>(OPT HL11VAZ6-3<br>(V73197))<br>(OPT HL11VAZ6-3<br>(V92215))<br>(OPT HL11VAZ6-3<br>(V97928))<br>(OPT L803-6K3<br>(V06725))<br>(OPT HL11VAZ6-3<br>(V0PTK6))<br>(OPT HL11VAZ6-3<br>(V60516)) | A,B      | 9            |
| R 917G      | HL11RA6-3  |                     | ...BOLT-<br>(V56878)<br>(SPEC BACB30NW6R3)<br>(OPT HL11RA6-3<br>(V92215))<br>(OPT HL11RA6-3<br>(V97928))<br>(OPT L803-6R3<br>(V06725))<br>(OPT HL11RA6-3<br>(V73197))<br>(OPT B30NW6R3<br>(V97928))<br>(OPT HL11RA6-3<br>(V0PTK6))<br>(OPT HL11RA6-3<br>(V60516))      | A,B      | 2            |

# 55-40-13

ILLUSTRATED PARTS LIST

01.1

Page 1052

Nov 01/00


**BOEING**  
 COMPONENT  
 MAINTENANCE MANUAL

| FIG. & ITEM | PART NO.    | AIRLINE PART NUMBER | NOMENCLATURE<br>1234567  | EFF CODE | QTY PER ASSY |
|-------------|-------------|---------------------|--|----------|--------------|
| R 01-918    | HL97DU6     |                     | ...COLLAR-<br>(V73197)<br>(SPEC BACC30AB6S)<br>(OPT HL97DU6<br>(V92215))<br>(OPT HL97DU6<br>(V56878))<br>(OPT ITEM 918A)   | A,B      | 11           |
| -918A       | KFN305C3    |                     | ...NUT-<br>(V15653)<br>(OPT ITEM 918)  | A,B      | 11           |
| R 919A      | BACB30UR3K3 |                     | ...BOLT  | A,B      | 9            |
| R 919G      | BACB30UR3R3 |                     | ...BOLT  | A,B      | 2            |
|             |             |                     | -----*   |          |              |
| R 920A      | NS202495-02 |                     | ...NUTPLATE-<br>(V80539)<br>(SPEC BACN10KE3DCD)<br>(OPT F51753-3CD<br>(V15653))  | A,B      | 1            |
| R 921A      | BRF200C3D   |                     | ...NUTPLATE-<br>(V52828)<br>(SPEC BACN10JR3CFD)<br>(OPT K51602-3BAC<br>(V15653))<br>(OPT NS202476-02<br>(V80539))<br>(OPT 102F9201-3<br>(V72962))<br>(OPT T8092C1032CD<br>(V11815))<br>ATTACHING PARTS | A,B      | 10           |

55-40-13

 ILLUSTRATED PARTS LIST  
 01.1 Page 1052A  
 Nov 01/00

| FIG. & ITEM | PART NO.   | AIRLINE PART NUMBER | NOMENCLATURE<br>1234567  | EFF CODE | QTY PER ASSY |
|-------------|------------|---------------------|--|----------|--------------|
| R 01-922    | AF5141-3-2 |                     | ...RIVET-<br>(V53551)<br>(SPEC BACR15DR3A2)<br>(OPT RV541A3-2<br>(V98996))<br>(OPT CCR264CS3-2TT<br>(V11815))<br>-----*  | A,B      | 22           |
| R 923       | 173T2031-2 |                     | ...RIB ASSY<br>ATTACHING PARTS   | A,B      | 1            |
| R 924       | HL11VAZ6-5 |                     | ...BOLT-<br>(V56878)<br>(SPEC BACB30NW6K5)<br>(OPT HL11V6-5<br>(V92215))<br>(OPT HL11V6-5<br>(V97928))<br>(OPT L803-6-5<br>(V06725))<br>(OPT B30NW6K5<br>(V97928))<br>(OPT HL11VAZ6-5<br>(V73197))<br>(OPT HL11VAZ6-5<br>(V92215))<br>(OPT HL11VAZ6-5<br>(V97928)) | A,B      | 14           |
| R 924G      | HL11RA6-5  |                     | ...BOLT-<br>(V56878)<br>(SPEC BACB30NW6R5)<br>(OPT HL11RA6-5<br>(V92215))<br>(OPT HL11RA6-5<br>(V97928))<br>(OPT L803-6R5<br>(V06725))<br>(OPT HL11RA6-5<br>(V73197))<br>(OPT B30NW6R5<br>(V97928))<br>(OPT HL11RA6-5<br>(VOPTK6))<br>(OPT HL11RA6-5<br>(V60516))  | A,B      | 2            |

55-40-13

ILLUSTRATED PARTS LIST

01.1 Page 1052B

Nov 01/00


**BOEING**  
 COMPONENT  
 MAINTENANCE MANUAL

| FIG. & ITEM | PART NO.    | AIRLINE PART NUMBER | NOMENCLATURE<br>1234567  | EFF CODE | QTY PER ASSY |
|-------------|-------------|---------------------|--|----------|--------------|
| R 01-925    | HL97DU6     |                     | ...COLLAR-<br>(V73197)<br>(SPEC BACC30AB6S)<br>(OPT HL97DU6<br>(V92215))<br>(OPT HL97DU6<br>(V56878))<br>(OPT ITEM 925A)   | A,B      | 16           |
| -925A       | KFN305C3    |                     | ...NUT-<br>(V15653)<br>(OPT ITEM 925)  | A,B      | 16           |
| R 926A      | BACB30UR3K5 |                     | ...BOLT  | A,B      | 14           |
| R 926G      | BACB30UR3R5 |                     | ...BOLT<br>-----*  | A,B      | 2            |
| R 928A      | BRF200C3D   |                     | ...NUTPLATE-<br>(V52828)<br>(SPEC BACN10JR3CFD)<br>(OPT K51602-3BAC<br>(V15653))<br>(OPT NS202476-02<br>(V80539))<br>(OPT 102F9201-3<br>(V72962))<br>(OPT T8092C1032CD<br>(V11815))<br>ATTACHING PARTS | A,B      | 16           |
| R 929       | AF5141-3-2  |                     | ...RIVET-<br>(V53551)<br>(SPEC BACR15DR3A2)<br>(OPT RV541A3-2<br>(V98996))<br>(OPT CCR264CS3-2TT<br>(V11815))<br>-----*  | A,B      | 32           |

55-40-13

 ILLUSTRATED PARTS LIST  
 01.1 Page 1052C  
 Nov 01/00

| FIG. & ITEM | PART NO.    | AIRLINE PART NUMBER | NOMENCLATURE<br>1234567  | EFF CODE | QTY PER ASSY |
|-------------|-------------|---------------------|--|----------|--------------|
| 01-         |             |                     |  |          |              |
| R 933       | 173T2050-1  |                     | ...PLATE   | A,B      | 1            |
| R 935       | 173T2050-2  |                     | ...PLATE   | A,B      | 1            |
| R 937       | 173T2051-1  |                     | ...FILLER<br>ATTACHING PARTS   | A,B      | 1            |
| R 939       | BACR15CE6AD |                     | ...RIVET-<br>(SIZE DETERMINE ON INST)  | A,B      | 8            |
| R 941       | BACR15CE5AD |                     | ...RIVET-<br>(SIZE DETERMINE ON INST)<br>-----*  | A,B      | 6            |
| R 947       | 173T2004-3  |                     | ...BOND ASSY-SPLICE PLATE  | A,B      | 1            |
| R 949       | 173T2004-4  |                     | ...BOND ASSY-SPLICE PLATE<br>ATTACHING PARTS   | A,B      | 1            |
| R 951       | HL11VAZ6-4  |                     | ...BOLT-<br>(V56878)<br>(SPEC BACB30NW6K4)<br>(OPT HL11V6-4<br>(V92215))<br>(OPT HL11V6-4<br>(V97928))<br>(OPT L803-6-4<br>(V06725))<br>(OPT B30NW6K4<br>(V97928))<br>(OPT HL11VAZ6-4<br>(V73197))<br>(OPT HL11VAZ6-4<br>(V92215))<br>(OPT HL11VAZ6-4<br>(V97928)) | A,B      | 189          |

55-40-13

 ILLUSTRATED PARTS LIST  
 01.1 Page 1052D  
 Nov 01/00

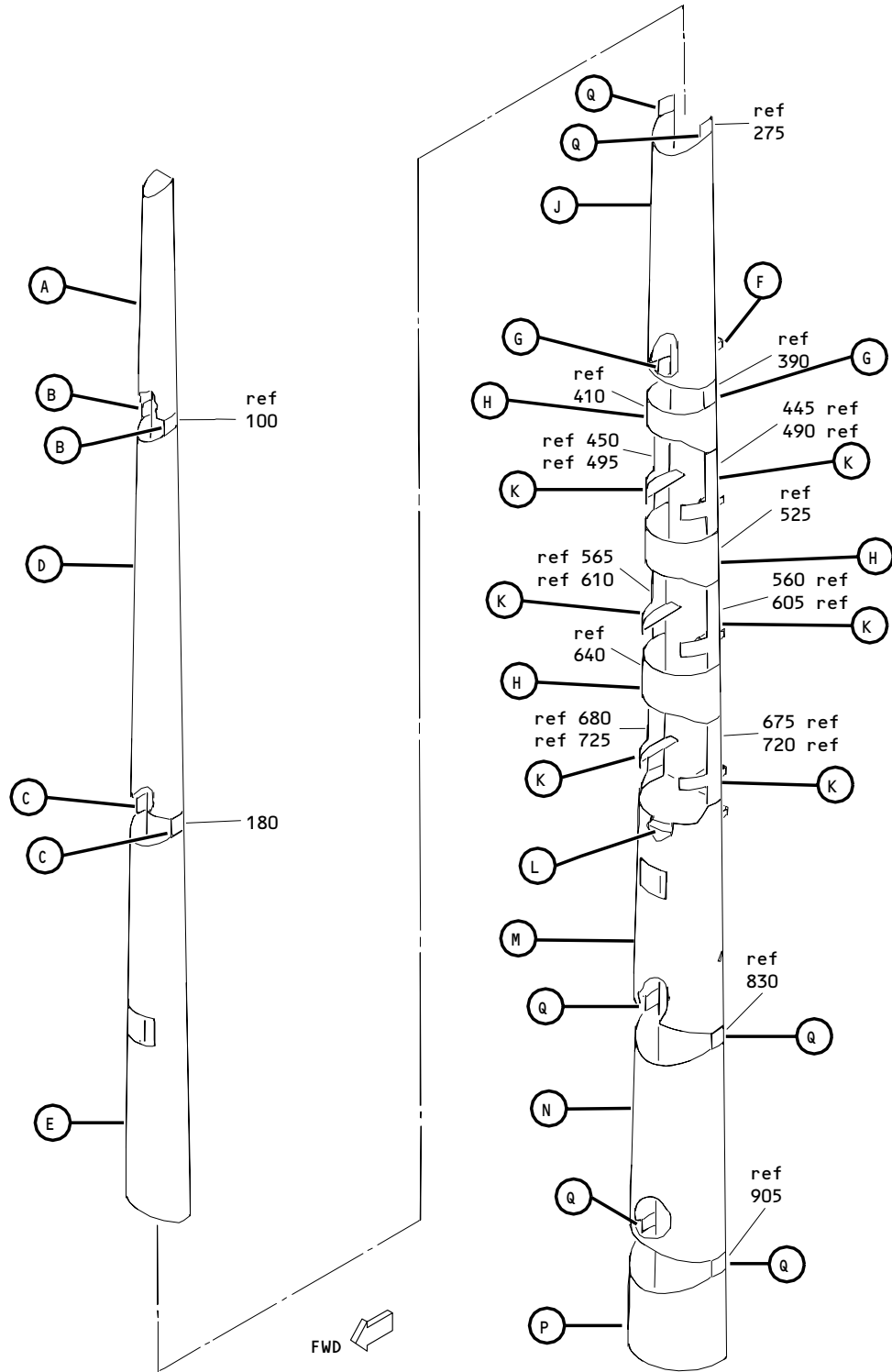

**BOEING**  
 COMPONENT  
 MAINTENANCE MANUAL

| FIG. & ITEM | PART NO.     | AIRLINE PART NUMBER | NOMENCLATURE<br>1234567   | EFF CODE | QTY PER ASSY |
|-------------|--------------|---------------------|---|----------|--------------|
| R 01-953    | HL97DU6      |                     | ...COLLAR-<br>(V73197)<br>(SPEC BACC30AB6S)<br>(OPT HL97DU6<br>(V92215))<br>(OPT HL97DU6<br>(V56878))<br>(OPT ITEM 953A)  | A,B      | 189          |
| -953A       | KFN305C3     |                     | ...NUT-<br>(V15653)<br>(OPT ITEM 953)   | A,B      | 189          |
| R 955A      | BACB30UR3K4  |                     | ...BOLT   | A,B      | 41           |
| R 957A      | BRF200C3D    |                     | ...NUTPLATE-<br>(V52828)<br>(SPEC BACN10JR3CFD)<br>(OPT K51602-3BAC<br>(V15653))<br>(OPT NS202476-02<br>(V80539))<br>(OPT 102F9201-3<br>(V72962))<br>(OPT T8092C1032CD<br>(V11815)) | A,B      | 41           |
| R 959       | AF5141-3-2   |                     | ...RIVET-<br>(V53551)<br>(SPEC BACR15DR3A2)<br>(OPT RV541A3-2<br>(V98996))<br>(OPT CCR264CS3-2TT<br>(V11815))<br>-----*   | A,B      | 82           |
| R 961       | BACR15GA5-5  |                     | ...RIVET  | A,B      | 417          |
| R 962       | 173T2053-47  |                     | ...SHIM   | A,B      | 1            |
| R 963       | 173T2004-1   |                     | ...BOND ASSY-PANEL UPR  | A,B      | 1            |
| R 965       | 173T2004-2   |                     | ...BOND ASSY-PANEL UPR  | A,B      | 1            |
| R 967       | 173T2003-1   |                     | ...BOND ASSY-PANEL LWR  | A,B      | 1            |
| R 969       | 173T2003-2   |                     | ...BOND ASSY-PANEL LWR  | A,B      | 1            |
| R 971       | MS27253PS    |                     | ...PLATE  | A,B      | 1            |
| R 973       | BAC27TWG0001 |                     | ...MARKER   | A,B      | 1            |

- Item Not Illustrated

55-40-13

ILLUSTRATED PARTS LIST  
01.1 Page 1052E  
Nov 01/00

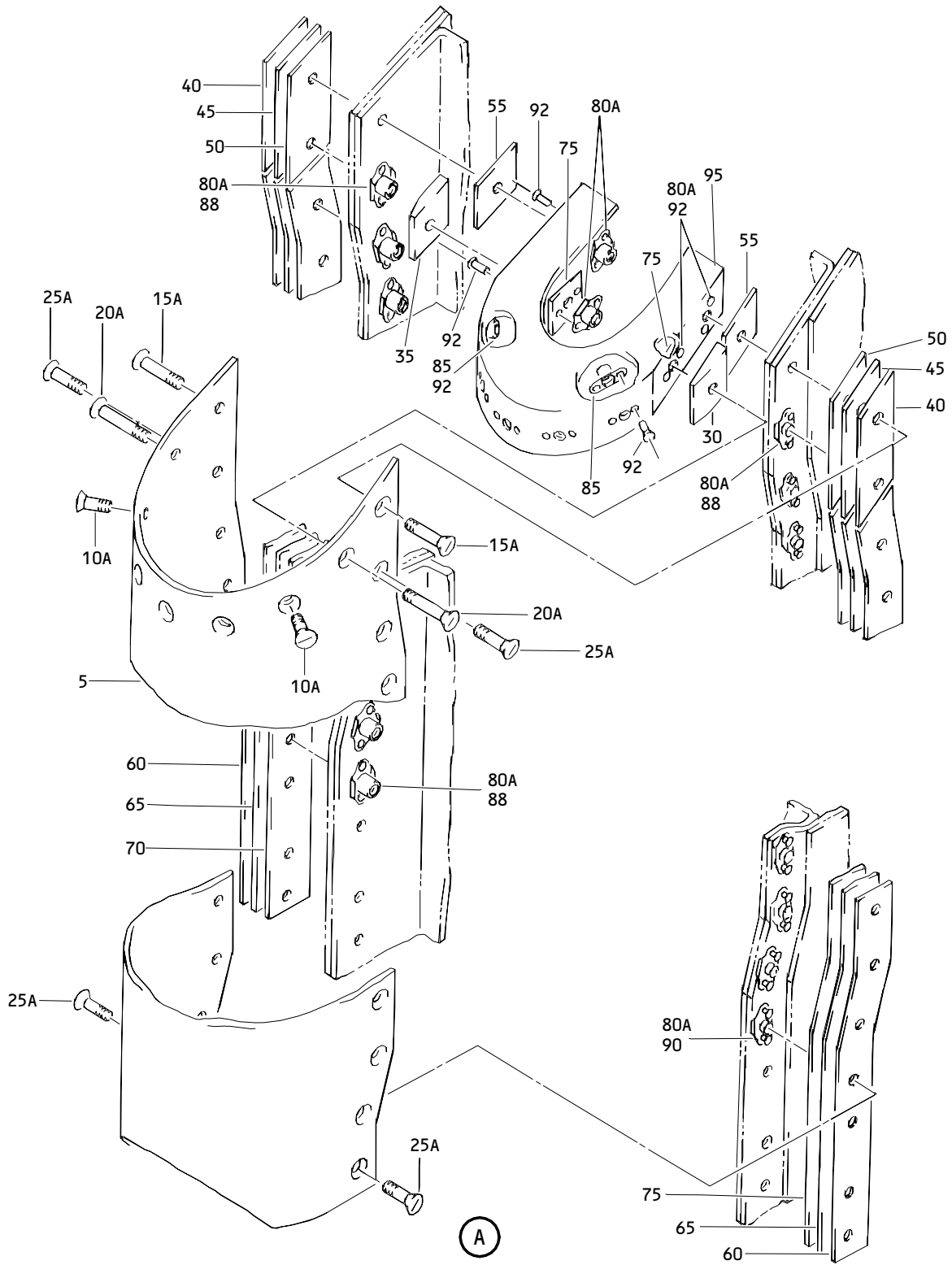


Leading Edge Panel Installation  
Figure 2 (Sheet 1)

**55-40-13**

ILLUSTRATED PARTS LIST  
01.1 Page 1052G  
Nov 01/00

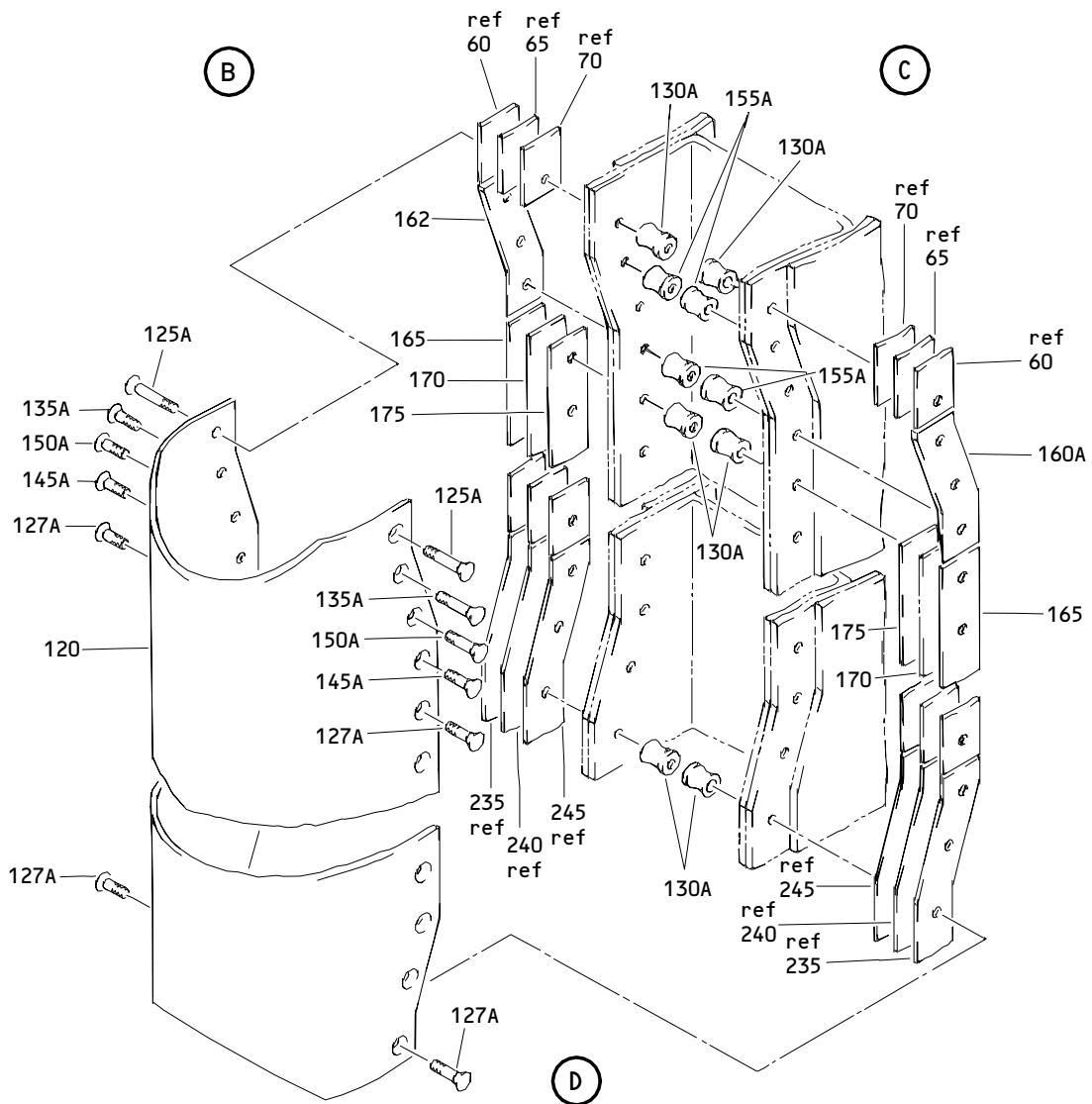
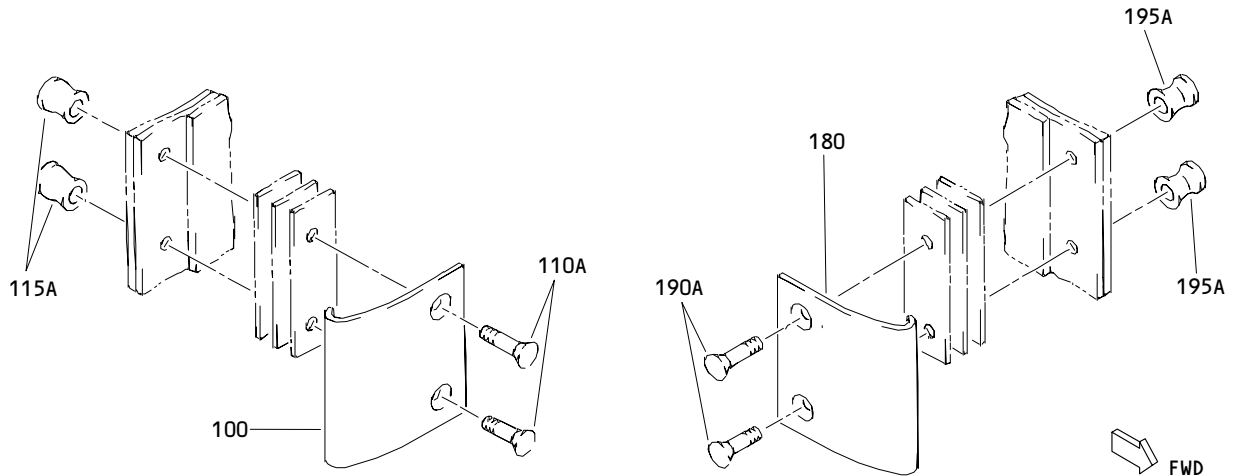




Leading Edge Panel Installation  
 Figure 2 (Sheet 2)

**55-40-13**

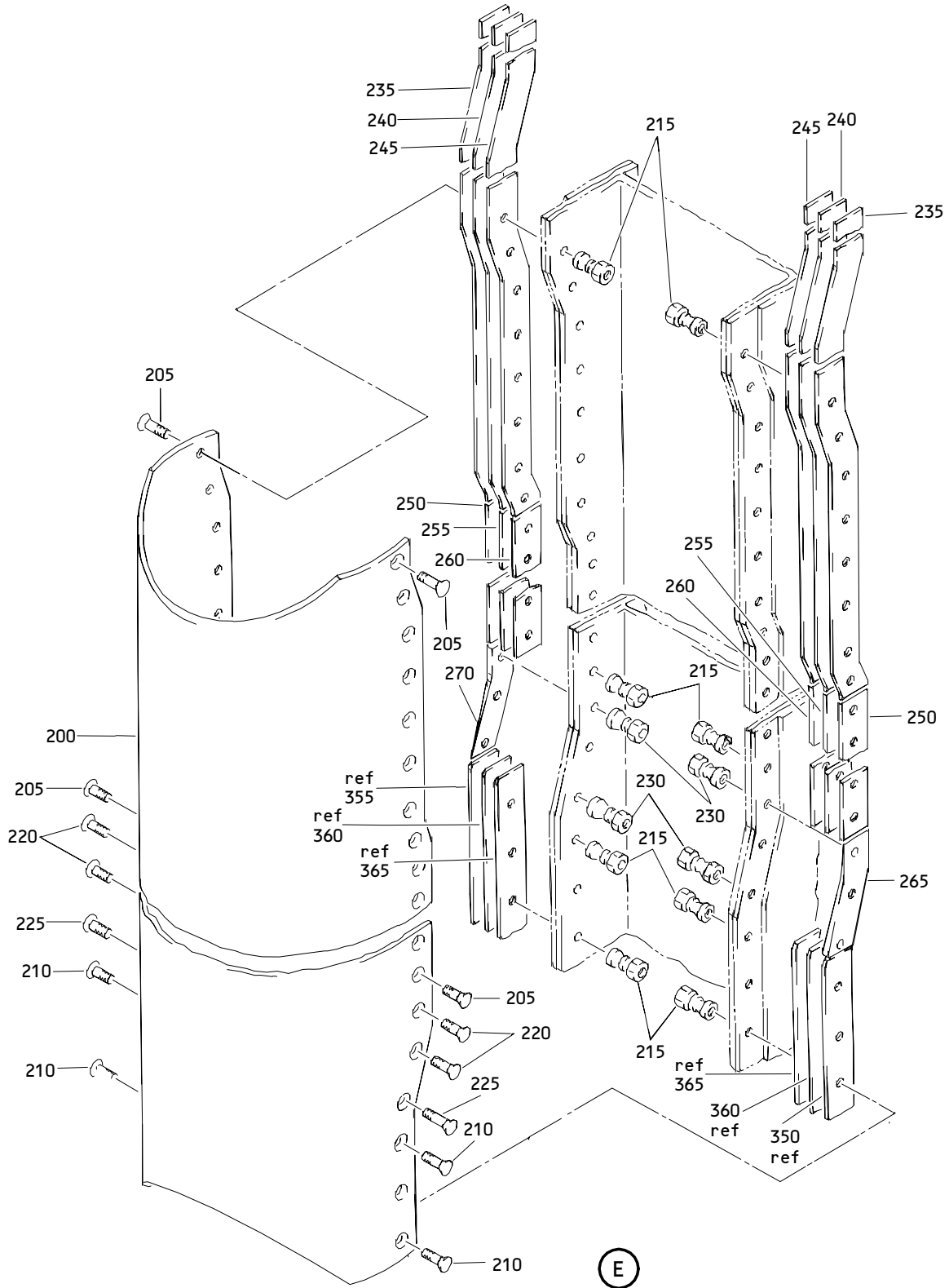
ILLUSTRATED PARTS LIST  
 01.1 Page 1052H  
 Nov 01/00



Leading Edge Panel Installation  
 Figure 2 (Sheet 3)

**55-40-13**

ILLUSTRATED PARTS LIST  
 01.1 Page 1052I  
 Nov 01/00

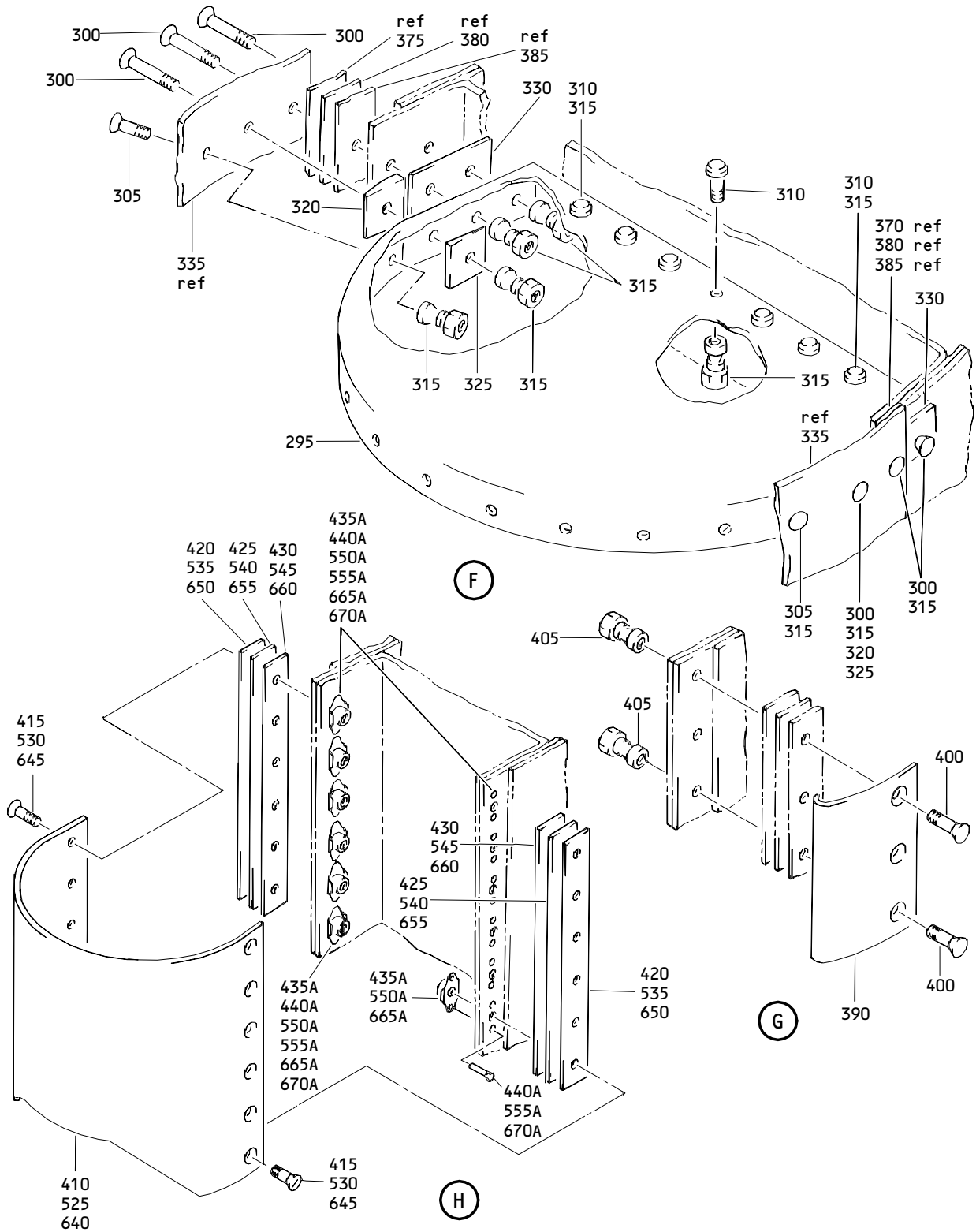


Leading Edge Panel Installation  
 Figure 2 (Sheet 4)

**55-40-13**

ILLUSTRATED PARTS LIST  
 01.1 Page 1052J  
 Nov 01/00

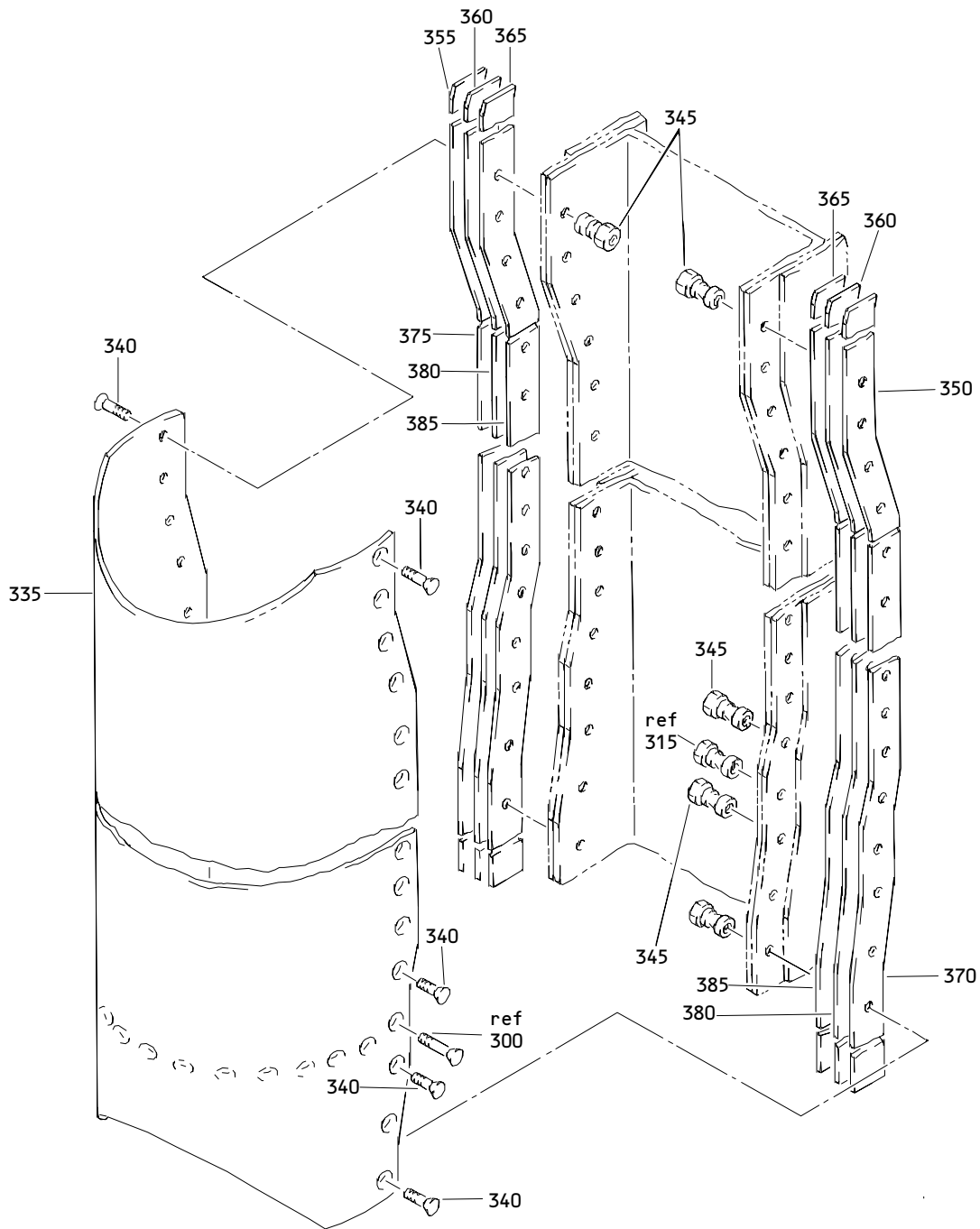
**BOEING**  
**COMPONENT  
 MAINTENANCE MANUAL**



Leading Edge Panel Installation  
 Figure 2 (Sheet 5)

**55-40-13**

ILLUSTRATED PARTS LIST  
 01.1 Page 1052K  
 Nov 01/00



J

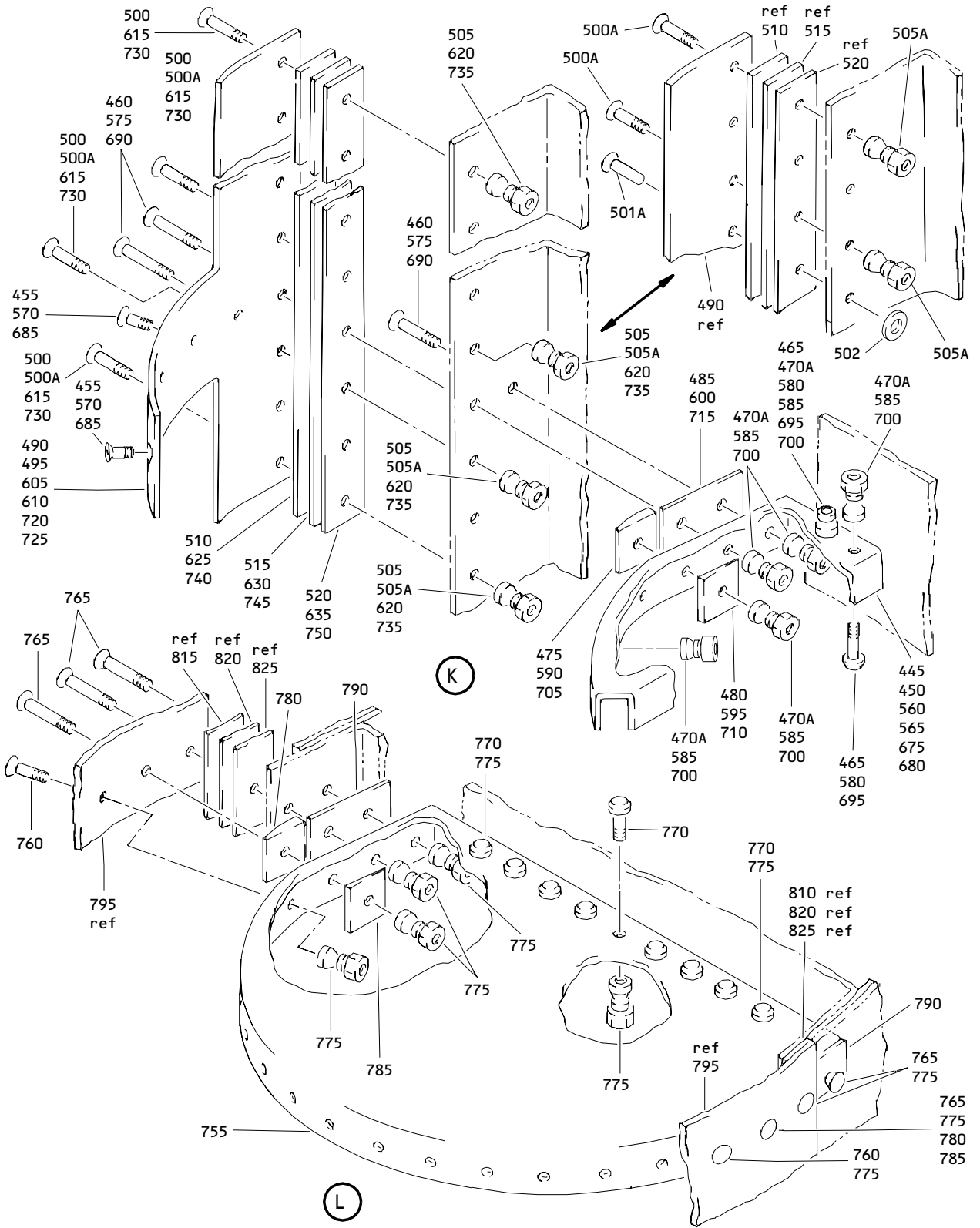
Leading Edge Panel Installation  
Figure 2 (Sheet 6)

**55-40-13**

ILLUSTRATED PARTS LIST  
01.1 Page 1052L  
Nov 01/00

# BOEING

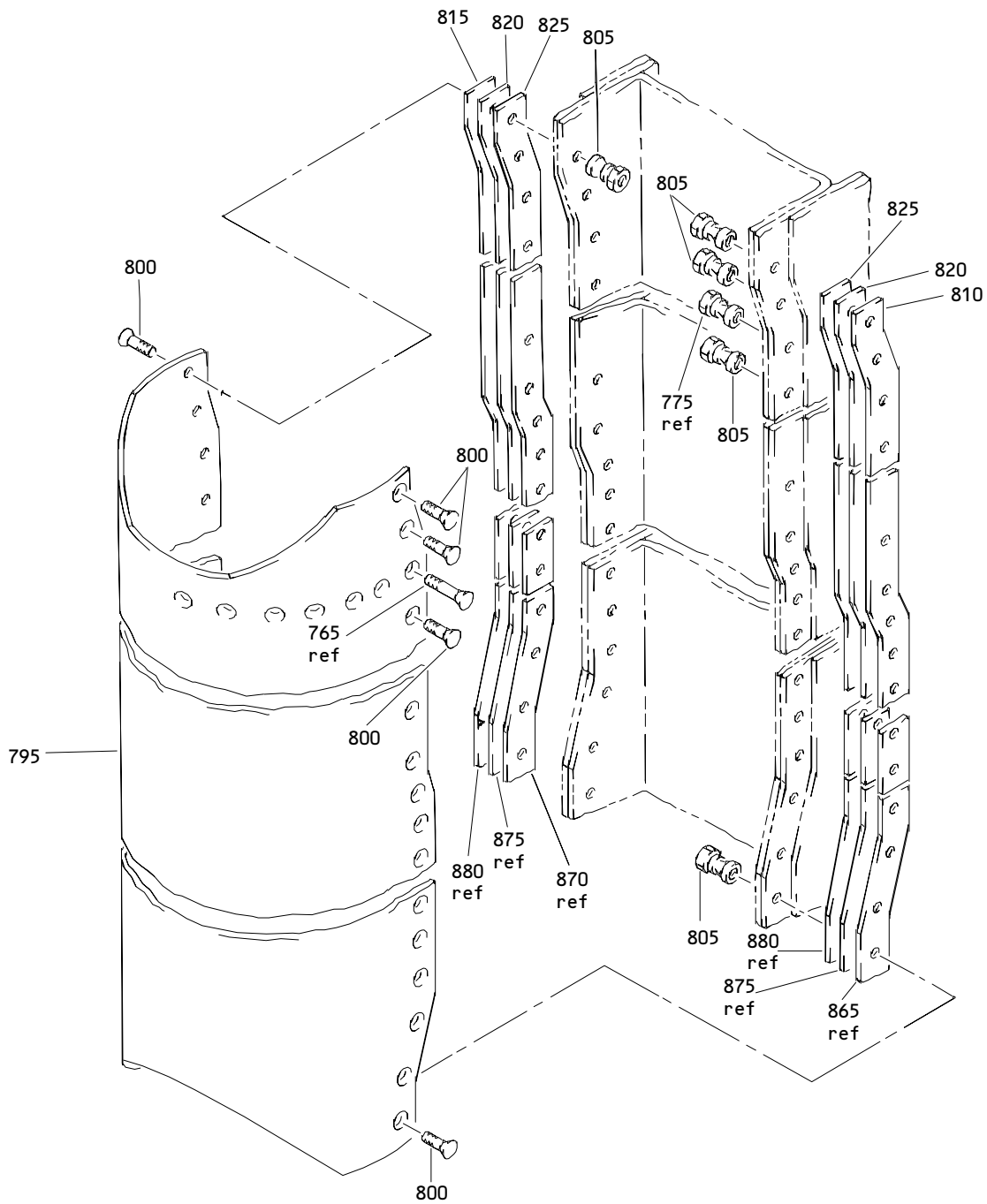
COMPONENT  
MAINTENANCE MANUAL



Leading Edge Panel Installation  
Figure 2 (Sheet 7)

## 55-40-13

ILLUSTRATED PARTS LIST  
01.1 Page 1052M  
Nov 01/00

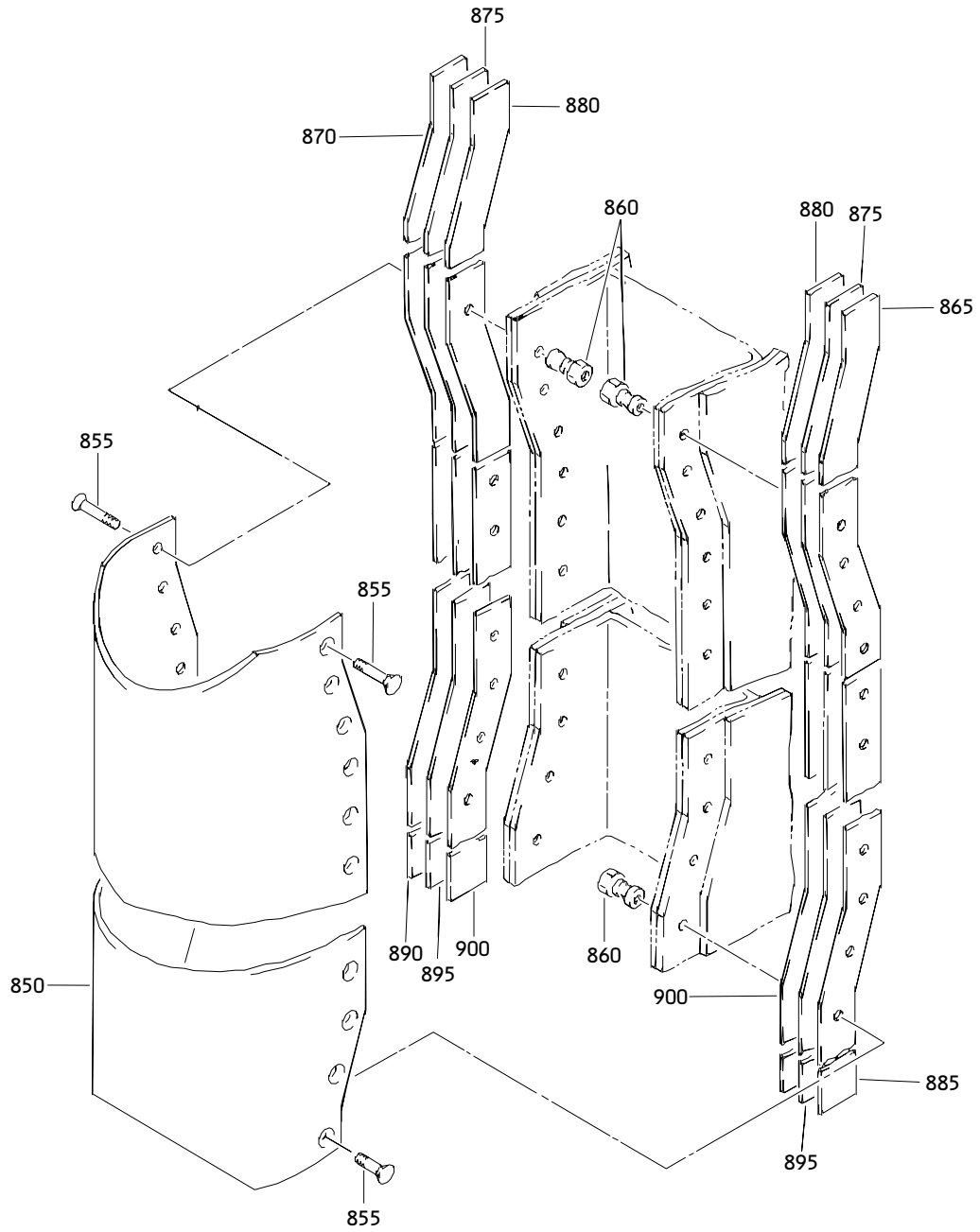


(M)

Leading Edge Panel Installation  
 Figure 2 (Sheet 8)

**55-40-13**

ILLUSTRATED PARTS LIST  
 01.1 Page 1052N  
 Nov 01/00



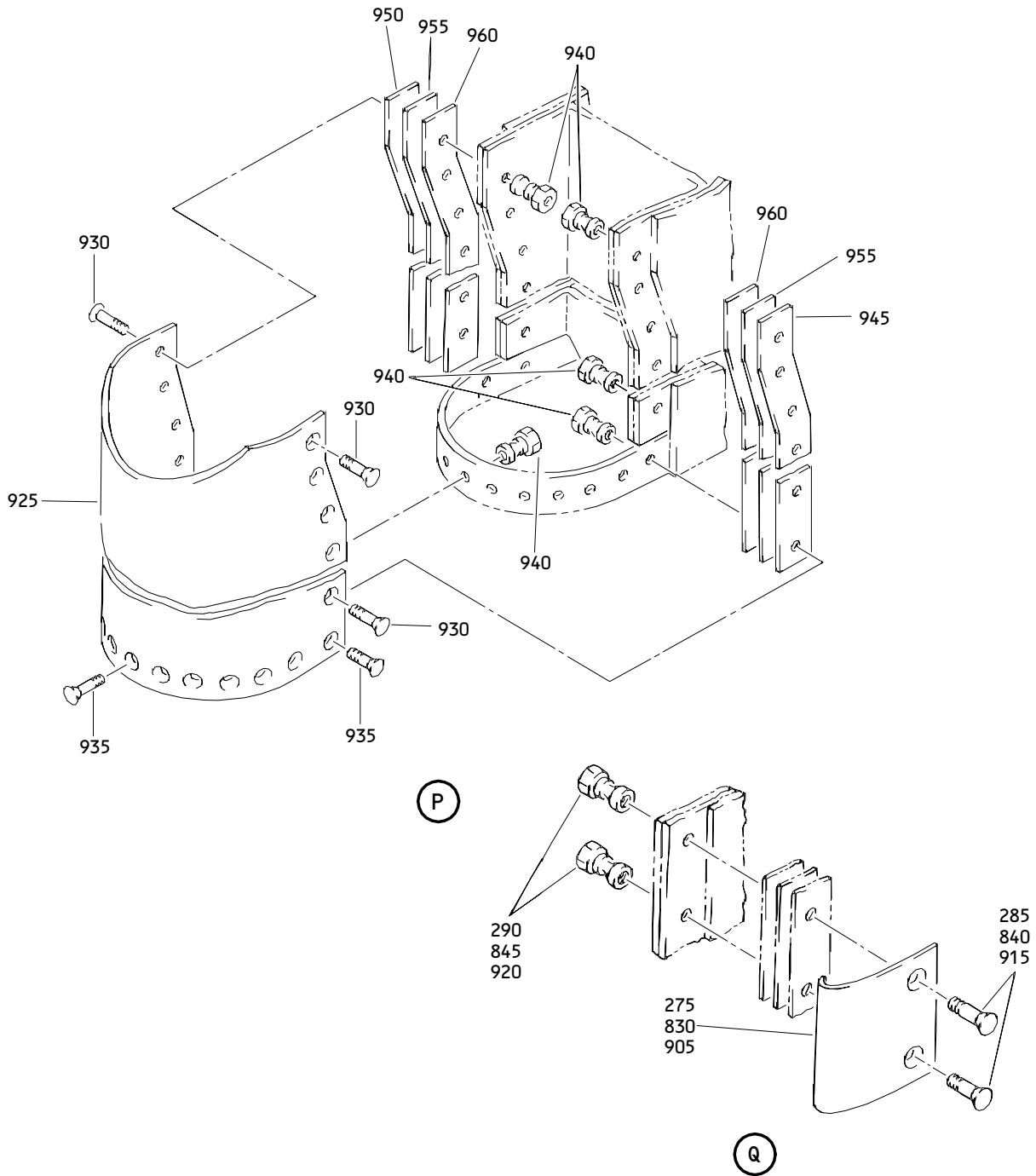
(N)

Leading Edge Panel Installation  
Figure 2 (Sheet 9)

**55-40-13**

ILLUSTRATED PARTS LIST  
01.1 Page 10520  
Nov 01/00





Leading Edge Panel Installation  
 Figure 2 (Sheet 10)

**55-40-13**

ILLUSTRATED PARTS LIST  
 01.1 Page 1052P  
 Nov 01/00


**BOEING**  
 COMPONENT  
 MAINTENANCE MANUAL

| FIG. & ITEM | PART NO.    | AIRLINE PART NUMBER | NOMENCLATURE<br>1234567   | EFF CODE | QTY PER ASSY |
|-------------|-------------|---------------------|---|----------|--------------|
| R 02-       |             |                     |   |          |              |
| R -1        | 173T2007-1  |                     | PANEL INSTL-LE  | A        | RF           |
| R -1A       | 173T2007-3  |                     | PANEL INSTL-LE  | A,B      | RF           |
| R -1B       | 173T2007-5  |                     | PANEL INSTL-LE  | B-D      | RF           |
| R 5         | 173T2011-3  |                     | .BOND ASSY<br>ATTACHING PARTS   |          | 1            |
| R 10A       | BACB30NN3K4 |                     | .BOLT   |          | 5            |
| R 15A       | BACB30NN3K8 |                     | .BOLT   |          | 2            |
| R 20A       | BACB30NN3K9 |                     | .BOLT   |          | 2            |
| R 25A       | BACB30NN3K7 |                     | .BOLT   |          | 30           |
| R 30        | 173T2053-49 |                     | .SHIM   |          | 1            |
| R 35        | 173T2053-50 |                     | .SHIM   |          | 1            |
| R 40        | 173T2053-29 |                     | .SHIM   |          | 2            |
| R 45        | 173T2053-69 |                     | .SHIM   |          | 2            |
| R 50        | 173T2053-70 |                     | .SHIM   |          | 2            |
| R 55        | 173T2053-44 |                     | .SHIM   |          | 2            |
| R 60        | 173T2053-28 |                     | .SHIM   |          | 2            |
| R 65        | 173T2053-67 |                     | .SHIM   |          | 2            |
| R 70        | 173T2053-68 |                     | .SHIM<br>-----*   |          | 2            |
| R 75        | 173T2053-48 |                     | .SHIM   |          | 2            |
| R 80A       | BRF200C3D   |                     | .NUTPLATE-<br>(V52828)<br>(SPEC BACN10JR3CFD)<br>(OPT K51602-3BAC<br>(V15653))<br>(OPT NS202476-02<br>(V80539))<br>(OPT 102F9201-3<br>(V72962))<br>(OPT T8092C1032CD<br>(V11815)) |          | 34           |

55-40-13

 ILLUSTRATED PARTS LIST  
 01.1 Page 1052Q  
 Nov 01/00

| FIG. & ITEM | PART NO.     | AIRLINE PART NUMBER | NOMENCLATURE<br>1234567  | EFF CODE | QTY PER ASSY |
|-------------|--------------|---------------------|--|----------|--------------|
| R 02-85     | BACN10JQ32CD |                     | .NUTPLATE-<br>(OPT MF51594-3-2BAC<br>(V15653))<br>(OPT NS202438-02-2<br>(V80539))<br>(OPT 102F9206M2-3<br>(V72962))            |          | 5            |
| R 88        | AF5141-3-3   |                     | ATTACHING PARTS<br>.RIVET-<br>(V53551)<br>(SPEC BACR15DR3A3)<br>(OPT RV541A3-3<br>(V98996))<br>(OPT CCR264CS3-3TT<br>(V11815)) |          | 60           |
| R 92        | AF5141-3-2   |                     | .RIVET-<br>(V53551)<br>(SPEC BACR15DR3A2)<br>(OPT RV541A3-2<br>(V98996))<br>(OPT CCR264CS3-2TT<br>(V11815))<br>-----*          |          | 18           |
| R 95        | 173T2025-32  |                     | .RIB-<br>(USED ON ITEM 1)  | A        | 1            |
| R -95A      | 173T2025-33  |                     | .RIB-<br>(USED ON ITEM 1A)   |          | 1            |
| R 100       | 173T2011-7   |                     | .BOND ASSY<br>ATTACHING PARTS  |          | 2            |

# 55-40-13

 ILLUSTRATED PARTS LIST  
 01.1 Page 1052R  
 Nov 01/00

**BOEING**  
 COMPONENT  
 MAINTENANCE MANUAL

| FIG. & ITEM | PART NO.   | AIRLINE PART NUMBER | NOMENCLATURE<br>1234567   | EFF CODE | QTY PER ASSY |
|-------------|------------|---------------------|---|----------|--------------|
| R 02-110A   | HL11VAZ6-7 |                     | .BOLT-<br>(V56878)<br>(SPEC BACB30NW6K7)<br>(OPT HL11V6-7 (V92215))<br>(OPT HL11V6-7 (V97928))<br>(OPT L803-6-7 (V06725))<br>(OPT B30NW6K7 (V97928))<br>(OPT HL11VAZ6-7 (V73197))<br>(OPT HL11VAZ6-7 (V92215))<br>(OPT HL11VAZ6-7 (V97928)) |          | 4            |
| R 115A      | HL97DU6    |                     | .COLLAR-<br>(V73197)<br>(SPEC BACC30AB6S)<br>(OPT HL97DU6 (V92215))<br>(OPT HL97DU6 (V56878))<br>(OPT ITEM 115B)  |          | 4            |
| -115B       | KFN305C3   |                     | .NUT-<br>(V15653)<br>(OPT ITEM 115A)<br>-----*-----   |          | 4            |

| FIG. & ITEM | PART NO.   | AIRLINE PART NUMBER | NOMENCLATURE<br>1234567  | EFF CODE | QTY PER ASSY |
|-------------|------------|---------------------|--|----------|--------------|
| R 02-120    | 173T2011-1 |                     | .BOND ASSY<br>ATTACHING PARTS  |          | 1            |
| R 125A      | HL11VAZ6-7 |                     | .BOLT-<br>(V56878)<br>(SPEC BACB30NW6K7)<br>(OPT HL11V6-7<br>(V92215))<br>(OPT HL11V6-7<br>(V97928))<br>(OPT L803-6-7<br>(V06725))<br>(OPT B30NW6K7<br>(V97928))<br>(OPT HL11VAZ6-7<br>(V73197))<br>(OPT HL11VAZ6-7<br>(V92215))<br>(OPT HL11VAZ6-7<br>(V97928)) |          | 2            |
| R 127A      | HL11VAZ6-4 |                     | .BOLT-<br>(V56878)<br>(SPEC BACB30NW6K4)<br>(OPT HL11V6-4<br>(V92215))<br>(OPT HL11V6-4<br>(V97928))<br>(OPT L803-6-4<br>(V06725))<br>(OPT B30NW6K4<br>(V97928))<br>(OPT HL11VAZ6-4<br>(V73197))<br>(OPT HL11VAZ6-4<br>(V92215))<br>(OPT HL11VAZ6-4<br>(V97928)) |          | 88           |

# 55-40-13

 ILLUSTRATED PARTS LIST  
 01.1 Page 1052T  
 Nov 01/00


**BOEING**  
 COMPONENT  
 MAINTENANCE MANUAL

| FIG. & ITEM | PART NO.   | AIRLINE PART NUMBER | NOMENCLATURE<br>1234567  | EFF CODE | QTY PER ASSY |
|-------------|------------|---------------------|--|----------|--------------|
| R 02-130A   | HL97DU6    |                     | .COLLAR-<br>(V73197)<br>(SPEC BACC30AB6S)<br>(OPT HL97DU6<br>(V92215))<br>(OPT HL97DU6<br>(V56878))<br>(OPT ITEM 130B)   |          | 90           |
| -130B       | KFN305C3   |                     | .NUT-<br>(V15653)<br>(OPT ITEM 130A)   |          | 90           |
| R 135A      | HL11VAZ6-7 |                     | .BOLT-<br>(V56878)<br>(SPEC BACB30NW6K7)<br>(OPT HL11V6-7<br>(V92215))<br>(OPT HL11V6-7<br>(V97928))<br>(OPT L803-6-7<br>(V06725))<br>(OPT B30NW6K7<br>(V97928))<br>(OPT HL11VAZ6-7<br>(V73197))<br>(OPT HL11VAZ6-7<br>(V92215))<br>(OPT HL11VAZ6-7<br>(V97928)) |          | 2            |
| R 145A      | HL11VAZ6-4 |                     | .BOLT-<br>(V56878)<br>(SPEC BACB30NW6K4)<br>(OPT HL11V6-4<br>(V92215))<br>(OPT HL11V6-4<br>(V97928))<br>(OPT L803-6-4<br>(V06725))<br>(OPT B30NW6K4<br>(V97928))<br>(OPT HL11VAZ6-4<br>(V73197))<br>(OPT HL11VAZ6-4<br>(V92215))<br>(OPT HL11VAZ6-4<br>(V97928)) |          | 2            |

55-40-13

 ILLUSTRATED PARTS LIST  
 01.1 Page 1052U  
 Nov 01/00

| FIG. & ITEM | PART NO.    | AIRLINE PART NUMBER | NOMENCLATURE<br>1234567  | EFF CODE | QTY PER ASSY |
|-------------|-------------|---------------------|--|----------|--------------|
| R 02-150A   | HL11VAZ6-5  |                     | .BOLT-<br>(V56878)<br>(SPEC BACB30NW6K5)<br>(OPT HL11V6-5<br>(V92215))<br>(OPT HL11V6-5<br>(V97928))<br>(OPT L803-6-5<br>(V06725))<br>(OPT B30NW6K5<br>(V97928))<br>(OPT HL11VAZ6-5<br>(V73197))<br>(OPT HL11VAZ6-5<br>(V92215))<br>(OPT HL11VAZ6-5<br>(V97928)) |          | 2            |
| R 155A      | HL82-6APBW  |                     | .COLLAR-<br>(V73197)<br>(SPEC BACC30AG6)<br>(OPT HL82-6APBW<br>(V92215))<br>(OPT HL82-6APBW<br>(V56878))<br>(OPT HL82-6APBW<br>(V5M902))   |          | 6            |
| R 160A      | 173T2053-81 |                     | .SHIM  |          | 1            |
| R 162       | 173T2053-82 |                     | .SHIM  |          | 1            |
| R 165       | 173T2053-26 |                     | .SHIM  |          | 2            |
| R 170       | 173T2053-65 |                     | .SHIM  |          | 2            |
| R 175       | 173T2053-66 |                     | .SHIM  |          | 2            |
| R 180       | 173T2010-9  |                     | -----*-----<br>.BOND ASSY<br>ATTACHING PARTS   |          | 2            |

55-40-13

 ILLUSTRATED PARTS LIST  
 01.1 Page 1052V  
 Nov 01/00


**BOEING**  
 COMPONENT  
 MAINTENANCE MANUAL

| FIG. & ITEM | PART NO.   | AIRLINE PART NUMBER | NOMENCLATURE<br>1234567  | EFF CODE | QTY PER ASSY |
|-------------|------------|---------------------|--|----------|--------------|
| R 02-190A   | HL11VAZ6-4 |                     | .BOLT-<br>(V56878)<br>(SPEC BACB30NW6K4)<br>(OPT HL11V6-4<br>(V92215))<br>(OPT HL11V6-4<br>(V97928))<br>(OPT L803-6-4<br>(V06725))<br>(OPT B30NW6K4<br>(V97928))<br>(OPT HL11VAZ6-4<br>(V73197))<br>(OPT HL11VAZ6-4<br>(V92215))<br>(OPT HL11VAZ6-4<br>(V97928)) |          | 4            |
| R 195A      | HL97DU6    |                     | .COLLAR-<br>(V73197)<br>(SPEC BACC30AB6S)<br>(OPT HL97DU6<br>(V92215))<br>(OPT HL97DU6<br>(V56878))<br>(OPT ITEM 195B)   |          | 4            |
| -195B       | KFN305C3   |                     | .NUT-<br>(V15653)<br>(OPT ITEM 195A)<br>-----*   |          | 4            |
| R 200       | 173T2010-3 |                     | .BOND ASSY   |          | 1            |

55-40-13

 ILLUSTRATED PARTS LIST  
 01.1 Page 1052W  
 Nov 01/00



| FIG. & ITEM  | PART NO.   | AIRLINE PART NUMBER | NOMENCLATURE<br>1234567   | EFF CODE | QTY PER ASSY |
|--------------|------------|---------------------|---|----------|--------------|
| R 02-<br>205 | HL11VAZ6-4 |                     | ATTACHING PARTS<br>.BOLT-<br>(V56878)<br>(SPEC BACB30NW6K4)<br>(OPT HL11V6-4<br>(V92215))<br>(OPT HL11V6-4<br>(V97928))<br>(OPT L803-6-4<br>(V06725))<br>(OPT B30NW6K4<br>(V97928))<br>(OPT HL11VAZ6-4<br>(V73197))<br>(OPT HL11VAZ6-4<br>(V92215))<br>(OPT HL11VAZ6-4<br>(V97928)) |          | 84           |
| R 210        | HL11VAZ6-5 |                     | .BOLT-<br>(V56878)<br>(SPEC BACB30NW6K5)<br>(OPT HL11V6-5<br>(V92215))<br>(OPT HL11V6-5<br>(V97928))<br>(OPT L803-6-5<br>(V06725))<br>(OPT B30NW6K5<br>(V97928))<br>(OPT HL11VAZ6-5<br>(V73197))<br>(OPT HL11VAZ6-5<br>(V92215))<br>(OPT HL11VAZ6-5<br>(V97928))                    |          | 6            |

# 55-40-13

 ILLUSTRATED PARTS LIST  
 01.1 Page 1052X  
 Nov 01/00


**BOEING**  
 COMPONENT  
 MAINTENANCE MANUAL

| FIG. & ITEM | PART NO.   | AIRLINE PART NUMBER | NOMENCLATURE<br>1234567  | EFF CODE | QTY PER ASSY |
|-------------|------------|---------------------|--|----------|--------------|
| R 02-215    | HL97DU6    |                     | .COLLAR-<br>(V73197)<br>(SPEC BACC30AB6S)<br>(OPT HL97DU6<br>(V92215))<br>(OPT HL97DU6<br>(V56878))<br>(OPT ITEM 215A)   |          | 90           |
| -215A       | KFN305C3   |                     | .NUT-<br>(V15653)<br>(OPT ITEM 215)  |          | 90           |
| R 220       | HL11VAZ6-4 |                     | .BOLT-<br>(V56878)<br>(SPEC BACB30NW6K4)<br>(OPT HL11V6-4<br>(V92215))<br>(OPT HL11V6-4<br>(V97928))<br>(OPT L803-6-4<br>(V06725))<br>(OPT B30NW6K4<br>(V97928))<br>(OPT HL11VAZ6-4<br>(V73197))<br>(OPT HL11VAZ6-4<br>(V92215))<br>(OPT HL11VAZ6-4<br>(V97928)) |          | 4            |
| R 225       | HL11VAZ6-5 |                     | .BOLT-<br>(V56878)<br>(SPEC BACB30NW6K5)<br>(OPT HL11V6-5<br>(V92215))<br>(OPT HL11V6-5<br>(V97928))<br>(OPT L803-6-5<br>(V06725))<br>(OPT B30NW6K5<br>(V97928))<br>(OPT HL11VAZ6-5<br>(V73197))<br>(OPT HL11VAZ6-5<br>(V92215))<br>(OPT HL11VAZ6-5<br>(V97928)) |          | 2            |

55-40-13

 ILLUSTRATED PARTS LIST  
 01.1 Page 1052Y  
 Nov 01/00

| FIG. & ITEM | PART NO.    | AIRLINE PART NUMBER | NOMENCLATURE<br>1234567  | EFF CODE | QTY PER ASSY |
|-------------|-------------|---------------------|--|----------|--------------|
| R 02-230    | HL82-6APBW  |                     | .COLLAR-<br>(V73197)<br>(SPEC BACC30AG6)<br>(OPT HL82-6APBW<br>(V92215))<br>(OPT HL82-6APBW<br>(V56878))<br>(OPT HL82-6APBW<br>(V5M902))   |          | 6            |
| R 235       | 173T2053-25 |                     | .SHIM  |          | 2            |
| R 240       | 173T2053-63 |                     | .SHIM  |          | 2            |
| R 245       | 173T2053-64 |                     | .SHIM  |          | 2            |
| R 250       | 173T2053-38 |                     | .SHIM  |          | 2            |
| R 255       | 173T2053-74 |                     | .SHIM  |          | 2            |
| R 260       | 173T2053-75 |                     | .SHIM  |          | 2            |
| R 265       | 173T2053-23 |                     | .SHIM  |          | 1            |
| R 270       | 173T2053-24 |                     | .SHIM<br>-----*  |          | 1            |
| R 275       | 173T2010-7  |                     | .BOND ASSY<br>ATTACHING PARTS  |          | 2            |
| R 285       | HL11VAZ6-5  |                     | .BOLT-<br>(V56878)<br>(SPEC BACB30NW6K5)<br>(OPT HL11V6-5<br>(V92215))<br>(OPT HL11V6-5<br>(V97928))<br>(OPT L803-6-5<br>(V06725))<br>(OPT B30NW6K5<br>(V97928))<br>(OPT HL11VAZ6-5<br>(V73197))<br>(OPT HL11VAZ6-5<br>(V92215))<br>(OPT HL11VAZ6-5<br>(V97928)) |          | 4            |

55-40-13

 ILLUSTRATED PARTS LIST  
 01.1 Page 1052Z  
 Nov 01/00


**BOEING**  
 COMPONENT  
 MAINTENANCE MANUAL

| FIG. & ITEM | PART NO.    | AIRLINE PART NUMBER | NOMENCLATURE<br>1234567  | EFF CODE | QTY PER ASSY |
|-------------|-------------|---------------------|--|----------|--------------|
| R 02-290    | HL97DU6     |                     | .COLLAR-<br>(V73197)<br>(SPEC BACC30AB6S)<br>(OPT HL97DU6<br>(V92215))<br>(OPT HL97DU6<br>(V56878))<br>(OPT ITEM 290A)   |          | 4            |
| -290A       | KFN305C3    |                     | .NUT-<br>(V15653)<br>(OPT ITEM 290)<br>-----*  |          | 4            |
| R 295       | 173T2010-11 |                     | .RIB<br>ATTACHING PARTS  |          | 1            |
| R 300       | HL11VAZ6-7  |                     | .BOLT-<br>(V56878)<br>(SPEC BACB30NW6K7)<br>(OPT HL11V6-7<br>(V92215))<br>(OPT HL11V6-7<br>(V97928))<br>(OPT L803-6-7<br>(V06725))<br>(OPT B30NW6K7<br>(V97928))<br>(OPT HL11VAZ6-7<br>(V73197))<br>(OPT HL11VAZ6-7<br>(V92215))<br>(OPT HL11VAZ6-7<br>(V97928)) |          | 6            |

55-40-13

 ILLUSTRATED PARTS LIST  
 01.1 Page 1053  
 Nov 01/00

| FIG. & ITEM | PART NO.    | AIRLINE PART NUMBER | NOMENCLATURE<br>1234567  | EFF CODE | QTY PER ASSY |
|-------------|-------------|---------------------|--|----------|--------------|
| R 02-305    | HL11VAZ6-3  |                     | .BOLT-<br>(V56878)<br>(SPEC BACB30NW6K3)<br>(OPT B30NW6K3<br>(V97928))<br>(OPT HL11VAZ6-3<br>(V73197))<br>(OPT HL11VAZ6-3<br>(V92215))<br>(OPT HL11VAZ6-3<br>(V97928))<br>(OPT L803-6K3<br>(V06725))<br>(OPT HL11VAZ6-3<br>(V0PTK6))<br>(OPT HL11VAZ6-3<br>(V60516)) |          | 11           |
| R 310       | BACB30MY6K2 |                     | .BOLT  |          | 7            |
| R 315       | HL97DU6     |                     | .COLLAR-<br>(V73197)<br>(SPEC BACC30AB6S)<br>(OPT HL97DU6<br>(V92215))<br>(OPT HL97DU6<br>(V56878))<br>(OPT ITEM 315A)   |          | 24           |
| -315A       | KFN305C3    |                     | .NUT-<br>(V15653)<br>(OPT ITEM 315)  |          | 24           |
| R 320       | 173T2053-31 |                     | .SHIM  |          | 2            |
| R 325       | 173T2053-37 |                     | .SHIM  |          | 2            |
| R 330       | 173T2053-32 |                     | .SHIM  |          | 2            |
| R 335       | 173T2010-1  |                     | -----*-----<br>.BOND ASSY<br>ATTACHING PARTS   |          | 1            |

55-40-13

 ILLUSTRATED PARTS LIST  
 01.1 Page 1054  
 Nov 01/00


**BOEING**  
 COMPONENT  
 MAINTENANCE MANUAL

| FIG. & ITEM | PART NO.    | AIRLINE PART NUMBER | NOMENCLATURE<br>1234567  | EFF CODE | QTY PER ASSY |
|-------------|-------------|---------------------|--|----------|--------------|
| R 02-340    | HL11VAZ6-5  |                     | .BOLT-<br>(V56878)<br>(SPEC BACB30NW6K5)<br>(OPT HL11V6-5<br>(V92215))<br>(OPT HL11V6-5<br>(V97928))<br>(OPT L803-6-5<br>(V06725))<br>(OPT B30NW6K5<br>(V97928))<br>(OPT HL11VAZ6-5<br>(V73197))<br>(OPT HL11VAZ6-5<br>(V92215))<br>(OPT HL11VAZ6-5<br>(V97928)) |          | 60           |
| R 345       | HL97DU6     |                     | .COLLAR-<br>(V73197)<br>(SPEC BACC30AB6S)<br>(OPT HL97DU6<br>(V92215))<br>(OPT HL97DU6<br>(V56878))<br>(OPT ITEM 345A)   |          | 60           |
| -345A       | KFN305C3    |                     | .NUT-<br>(V15653)<br>(OPT ITEM 345)  |          | 60           |
| R 350       | 173T2053-21 |                     | .SHIM  |          | 1            |
| R 355       | 173T2053-22 |                     | .SHIM  |          | 1            |
| R 360       | 173T2053-61 |                     | .SHIM  |          | 2            |
| R 365       | 173T2053-62 |                     | .SHIM  |          | 2            |
| R 370       | 173T2053-19 |                     | .SHIM  |          | 1            |
| R 375       | 173T2053-20 |                     | .SHIM  |          | 1            |
| R 380       | 173T2053-59 |                     | .SHIM  |          | 2            |
| R 385       | 173T2053-60 |                     | .SHIM  |          | 2            |
| R 390       | 173T2010-5  |                     | -----*-----<br>.BOND ASSY<br>ATTACHING PARTS   |          | 2            |

55-40-13

 ILLUSTRATED PARTS LIST  
 01.1 Page 1054A  
 Nov 01/00

| FIG. & ITEM | PART NO.    | AIRLINE PART NUMBER | NOMENCLATURE<br>1234567  | EFF CODE | QTY PER ASSY |
|-------------|-------------|---------------------|--|----------|--------------|
| R 02-400    | HL11VAZ6-5  |                     | .BOLT-<br>(V56878)<br>(SPEC BACB30NW6K5)<br>(OPT HL11V6-5<br>(V92215))<br>(OPT HL11V6-5<br>(V97928))<br>(OPT L803-6-5<br>(V06725))<br>(OPT B30NW6K5<br>(V97928))<br>(OPT HL11VAZ6-5<br>(V73197))<br>(OPT HL11VAZ6-5<br>(V92215))<br>(OPT HL11VAZ6-5<br>(V97928)) |          | 6            |
| R 405       | HL97DU6     |                     | .COLLAR-<br>(V73197)<br>(SPEC BACC30AB6S)<br>(OPT HL97DU6<br>(V92215))<br>(OPT HL97DU6<br>(V56878))<br>(OPT ITEM 405A)   |          | 6            |
| -405A       | KFN305C3    |                     | .NUT-<br>(V15653)<br>(OPT ITEM 405)<br>-----*  |          | 6            |
| R 410       | 173T2009-11 |                     | .PANEL<br>ATTACHING PARTS  |          | 1            |
| R 415       | BACB30NN3K5 |                     | .BOLT  |          | 12           |
| R 420       | 173T2053-71 |                     | .SHIM  |          | 2            |
| R 425       | 173T2053-72 |                     | .SHIM  |          | 2            |

55-40-13

 ILLUSTRATED PARTS LIST  
 01.1 Page 1054B  
 Nov 01/00


**BOEING**  
 COMPONENT  
 MAINTENANCE MANUAL

| FIG. & ITEM | PART NO.    | AIRLINE PART NUMBER | NOMENCLATURE<br>1234567  | EFF CODE | QTY PER ASSY |
|-------------|-------------|---------------------|--|----------|--------------|
| R 02-430    | 173T2053-73 |                     | .SHIM<br>-----*-----   |          | 2            |
| R 435A      | BRF200C3D   |                     | .NUTPLATE-<br>(V52828)<br>(SPEC BACN10JR3CFD)<br>(OPT K51602-3BAC<br>(V15653))<br>(OPT NS202476-02<br>(V80539))<br>(OPT 102F9201-3<br>(V72962))<br>(OPT T8092C1032CD<br>(V11815))<br>ATTACHING PARTS   |          | 12           |
| R 440A      | AF5141-3-2  |                     | .RIVET-<br>(V53551)<br>(SPEC BACR15DR3A2)<br>(OPT RV541A3-2<br>(V98996))<br>(OPT CCR264CS3-2TT<br>(V11815))<br>-----*-----   |          | 24           |
| R 445       | 173T2009-17 |                     | .RIB   |          | 1            |
| R 450       | 173T2009-18 |                     | .RIB<br>ATTACHING PARTS  |          | 1            |
| R 455       | HL11VAZ6-3  |                     | .BOLT-<br>(V56878)<br>(SPEC BACB30NW6K3)<br>(OPT B30NW6K3<br>(V97928))<br>(OPT HL11VAZ6-3<br>(V73197))<br>(OPT HL11VAZ6-3<br>(V92215))<br>(OPT HL11VAZ6-3<br>(V97928))<br>(OPT L803-6K3<br>(V06725))<br>(OPT HL11VAZ6-3<br>(V0PTK6))<br>(OPT HL11VAZ6-3<br>(V60516)) |          | 6            |

55-40-13

 ILLUSTRATED PARTS LIST  
 01.1 Page 1054C  
 Nov 01/00



| FIG. & ITEM | PART NO.    | AIRLINE PART NUMBER | NOMENCLATURE<br>1234567  | EFF CODE | QTY PER ASSY |
|-------------|-------------|---------------------|--|----------|--------------|
| R 02-460    | HL11VAZ6-7  |                     | .BOLT-<br>(V56878)<br>(SPEC BACB30NW6K7)<br>(OPT HL11V6-7<br>(V92215))<br>(OPT HL11V6-7<br>(V97928))<br>(OPT L803-6-7<br>(V06725))<br>(OPT B30NW6K7<br>(V97928))<br>(OPT HL11VAZ6-7<br>(V73197))<br>(OPT HL11VAZ6-7<br>(V92215))<br>(OPT HL11VAZ6-7<br>(V97928)) |          | 6            |
| R 465       | BACB30MY6K2 |                     | .BOLT  |          | 4            |
| R 470A      | HL97DU6     |                     | .COLLAR-<br>(V73197)<br>(SPEC BACC30AB6S)<br>(OPT HL97DU6<br>(V92215))<br>(OPT HL97DU6<br>(V56878))  |          | 16           |
| R 475       | 173T2053-30 |                     | .SHIM  |          | 2            |
| R 480       | 173T2053-37 |                     | .SHIM  |          | 2            |
| R 485       | 173T2053-34 |                     | .SHIM  |          | 2            |
|             |             |                     | -----*-----  |          |              |
| R 490       | 173T2009-9  |                     | .PANEL-<br>(USED ON ITEM 1)  | A        | 1            |

55-40-13

 ILLUSTRATED PARTS LIST  
 01.1 Page 1054D  
 Nov 01/00


**BOEING**  
 COMPONENT  
 MAINTENANCE MANUAL

| FIG. & ITEM | PART NO.    | AIRLINE PART NUMBER | NOMENCLATURE<br>1234567   | EFF CODE | QTY PER ASSY |
|-------------|-------------|---------------------|---|----------|--------------|
| R 02-490A   | 173T2009-19 |                     | .PANEL-<br>(USED ON ITEM 1A)  |          | 1            |
| R 495       | 173T2009-10 |                     | .PANEL<br>ATTACHING PARTS   |          | 1            |
| R 500       | HL11VAZ6-5  |                     | .BOLT-(RH SIDE)<br>(V56878)<br>(SPEC BACB30NW6K5)<br>(OPT HL11V6-5<br>(V92215))<br>(OPT HL11V6-5<br>(V97928))<br>(OPT L803-6-5<br>(V06725))<br>(OPT B30NW6K5<br>(V97928))<br>(OPT HL11VAZ6-5<br>(V73197))<br>(OPT HL11VAZ6-5<br>(V92215))<br>(OPT HL11VAZ6-5<br>(V97928)) |          | 8            |
| R 500A      | HL11VAZ6-5  |                     | .BOLT-(LH SIDE)<br>(V56878)<br>(SPEC BACB30NW6K5)<br>(OPT HL11V6-5<br>(V92215))<br>(OPT HL11V6-5<br>(V97928))<br>(OPT L803-6-5<br>(V06725))<br>(OPT B30NW6K5<br>(V97928))<br>(OPT HL11VAZ6-5<br>(V73197))<br>(OPT HL11VAZ6-5<br>(V92215))<br>(OPT HL11VAZ6-5<br>(V97928)) |          | 7            |

55-40-13

 ILLUSTRATED PARTS LIST  
 01.1 Page 1054E  
 Nov 01/00

| FIG. & ITEM | PART NO.    | AIRLINE PART NUMBER | NOMENCLATURE<br>1234567   | EFF CODE | QTY PER ASSY |
|-------------|-------------|---------------------|---|----------|--------------|
| 02-501A     | BACR15CE6M  |                     | .RIVET-(LH SIDE)<br>(SIZE DETERMINE ON INST)  |          | 1            |
| R 502       | AN960C10L   |                     | .WASHER-(OPTIONAL) (LH SIDE)  |          | 1            |
| R 505       | HL97DU6     |                     | .COLLAR-(RH SIDE)<br>(V73197)<br>(SPEC BACC30AB6S)<br>(OPT HL97DU6<br>(V92215))<br>(OPT HL97DU6<br>(V56878))<br>(OPT ITEM 505B) |          | 8            |
| R 505A      | HL97DU6     |                     | .COLLAR-(LH SIDE)<br>(V73197)<br>(SPEC BACC30AB6S)<br>(OPT HL97DU6<br>(V92215))<br>(OPT HL97DU6<br>(V56878))<br>(OPT ITEM 505C) |          | 7            |
| -505B       | KFN305C3    |                     | .NUT-(RH SIDE)<br>(V15653)<br>(OPT ITEM 505)  |          | 8            |
| -505C       | KFN305C3    |                     | .NUT-(LH SIDE)<br>(V15653)<br>(OPT ITEM 505A)   |          | 7            |
| R 510       | 173T2053-45 |                     | .SHIM   |          | 2            |
| R 515       | 173T2053-78 |                     | .SHIM   |          | 2            |
| R 520       | 173T2053-79 |                     | .SHIM   |          | 2            |
| R 525       | 173T2009-7  |                     | -----*-----<br>.PANEL<br>ATTACHING PARTS  |          | 1            |

55-40-13

 ILLUSTRATED PARTS LIST  
 01.1 Page 1054F  
 Nov 01/00


**BOEING**  
 COMPONENT  
 MAINTENANCE MANUAL

| FIG. & ITEM | PART NO. | AIRLINE PART NUMBER | NOMENCLATURE<br>1234567  | EFF CODE | QTY PER ASSY |
|-------------|----------|---------------------|--|----------|--------------|
| R           | 02-530   | BACB30NN3K5         | .BOLT  |          | 12           |
| R           | 535      | 173T2053-71         | .SHIM  |          | 2            |
| R           | 540      | 173T2053-72         | .SHIM  |          | 2            |
| R           | 545      | 173T2053-73         | .SHIM  |          | 2            |
|             |          |                     | -----*   |          |              |
| R           | 550A     | BRF200C3D           | .NUTPLATE-<br>(V52828)<br>(SPEC BACN10JR3CFD)<br>(OPT K51602-3BAC<br>(V15653))<br>(OPT NS202476-02<br>(V80539))<br>(OPT 102F9201-3<br>(V72962))<br>(OPT T8092C1032CD<br>(V11815))  |          | 12           |
| R           | 555A     | AF5141-3-2          | ATTACHING PARTS<br>.RIVET-<br>(V53551)<br>(SPEC BACR15DR3A2)<br>(OPT RV541A3-2<br>(V98996))<br>(OPT CCR264CS3-2TT<br>(V11815))   |          | 24           |
|             |          |                     | -----*   |          |              |
| R           | 560      | 173T2009-15         | .RIB   |          | 1            |
| R           | 565      | 173T2009-16         | .RIB   |          | 1            |
|             |          |                     | ATTACHING PARTS  |          |              |
| R           | 570      | HL11VAZ6-3          | .BOLT-<br>(V56878)<br>(SPEC BACB30NW6K3)<br>(OPT B30NW6K3<br>(V97928))<br>(OPT HL11VAZ6-3<br>(V73197))<br>(OPT HL11VAZ6-3<br>(V92215))<br>(OPT HL11VAZ6-3<br>(V97928))<br>(OPT L803-6K3<br>(V06725))<br>(OPT HL11VAZ6-3<br>(V0PTK6))<br>(OPT HL11VAZ6-3<br>(V60516)) |          | 8            |

55-40-13

 ILLUSTRATED PARTS LIST  
 01.1 Page 1054G  
 Nov 01/00

| FIG. & ITEM | PART NO.    | AIRLINE PART NUMBER | NOMENCLATURE<br>1234567  | EFF CODE | QTY PER ASSY |
|-------------|-------------|---------------------|--|----------|--------------|
| R 02-575    | HL11VAZ6-7  |                     | .BOLT-<br>(V56878)<br>(SPEC BACB30NW6K7)<br>(OPT HL11V6-7<br>(V92215))<br>(OPT HL11V6-7<br>(V97928))<br>(OPT L803-6-7<br>(V06725))<br>(OPT B30NW6K7<br>(V97928))<br>(OPT HL11VAZ6-7<br>(V73197))<br>(OPT HL11VAZ6-7<br>(V92215))<br>(OPT HL11VAZ6-7<br>(V97928)) |          | 6            |
| R 580       | BACB30MY6K2 |                     | .BOLT  |          | 4            |
| R 585       | HL97DU6     |                     | .COLLAR-<br>(V73197)<br>(SPEC BACC30AB6S)<br>(OPT HL97DU6<br>(V92215))<br>(OPT HL97DU6<br>(V56878))<br>(OPT ITEM 585A)   |          | 18           |
| -585A       | KFN305C3    |                     | .NUT-<br>(V15653)<br>(OPT ITEM 585)  |          | 18           |
| R 590       | 173T2053-30 |                     | .SHIM  |          | 2            |
| R 595       | 173T2053-37 |                     | .SHIM  |          | 2            |

55-40-13

 ILLUSTRATED PARTS LIST  
 01.1 Page 1054H  
 Nov 01/00


**BOEING**  
 COMPONENT  
 MAINTENANCE MANUAL

| FIG. & ITEM | PART NO.    | AIRLINE PART NUMBER | NOMENCLATURE<br>1234567   | EFF CODE | QTY PER ASSY |
|-------------|-------------|---------------------|---|----------|--------------|
| R 02-600    | 173T2053-34 |                     | .SHIM<br>-----*-----  |          | 2            |
| R 605       | 173T2009-5  |                     | .PANEL  |          | 1            |
| R 610       | 173T2009-6  |                     | .PANEL  |          | 1            |
| R 615       | HL11VAZ6-5  |                     | ATTACHING PARTS<br>.BOLT-<br>(V56878)<br>(SPEC BACB30NW6K5)<br>(OPT HL11V6-5<br>(V92215))<br>(OPT HL11V6-5<br>(V97928))<br>(OPT L803-6-5<br>(V06725))<br>(OPT B30NW6K5<br>(V97928))<br>(OPT HL11VAZ6-5<br>(V73197))<br>(OPT HL11VAZ6-5<br>(V92215))<br>(OPT HL11VAZ6-5<br>(V97928)) |          | 8            |
| R 620       | HL97DU6     |                     | .COLLAR-<br>(V73197)<br>(SPEC BACC30AB6S)<br>(OPT HL97DU6<br>(V92215))<br>(OPT HL97DU6<br>(V56878))<br>(OPT ITEM 620A)  |          | 8            |
| -620A       | KFN305C3    |                     | .NUT-<br>(V15653)<br>(OPT ITEM 620)   |          | 8            |

55-40-13

 ILLUSTRATED PARTS LIST  
 01.1 Page 1054I  
 Nov 01/00

| FIG. & ITEM | PART NO.    | AIRLINE PART NUMBER | NOMENCLATURE<br>1234567  | EFF CODE | QTY PER ASSY |
|-------------|-------------|---------------------|--|----------|--------------|
| 02-         |             |                     |  |          |              |
| R 625       | 173T2053-45 |                     | .SHIM  |          | 2            |
| R 630       | 173T2053-78 |                     | .SHIM  |          | 2            |
| R 635       | 173T2053-79 |                     | .SHIM  |          | 2            |
|             |             |                     | -----*-----  |          |              |
| R 640       | 173T2009-3  |                     | .PANEL<br>ATTACHING PARTS  |          | 1            |
| R 645       | BACB30NN3K5 |                     | .BOLT  |          | 12           |
| R 650       | 173T2053-71 |                     | .SHIM  |          | 2            |
| R 655       | 173T2053-72 |                     | .SHIM  |          | 2            |
| R 660       | 173T2053-73 |                     | .SHIM  |          | 2            |
|             |             |                     | -----*-----  |          |              |
| R 665A      | BRF200C3D   |                     | .NUTPLATE-<br>(V52828)<br>(SPEC BACN10JR3CFD)<br>(OPT K51602-3BAC<br>(V15653))<br>(OPT NS202476-02<br>(V80539))<br>(OPT 102F9201-3<br>(V72962))<br>(OPT T8092C1032CD<br>(V11815))<br>ATTACHING PARTS |          | 12           |
| R 670A      | AF5141-3-2  |                     | .RIVET-<br>(V53551)<br>(SPEC BACR15DR3A2)<br>(OPT RV541A3-2<br>(V98996))<br>(OPT CCR264CS3-2TT<br>(V11815))<br>-----*-----   |          | 24           |

# 55-40-13

ILLUSTRATED PARTS LIST

01.1 Page 1054J

Nov 01/00


**BOEING**  
 COMPONENT  
 MAINTENANCE MANUAL

| FIG. & ITEM | PART NO.    | AIRLINE PART NUMBER | NOMENCLATURE<br>1234567   | EFF CODE | QTY PER ASSY |
|-------------|-------------|---------------------|---|----------|--------------|
| R 02-675    | 173T2009-13 |                     | .RIB  |          | 1            |
| R 680       | 173T2009-14 |                     | .RIB  |          | 1            |
| R 685       | HL11VAZ6-3  |                     | ATTACHING PARTS<br>.BOLT-<br>(V56878)<br>(SPEC BACB30NW6K3)<br>(OPT B30NW6K3<br>(V97928))<br>(OPT HL11VAZ6-3<br>(V73197))<br>(OPT HL11VAZ6-3<br>(V92215))<br>(OPT HL11VAZ6-3<br>(V97928))<br>(OPT L803-6K3<br>(V06725))<br>(OPT HL11VAZ6-3<br>(V0PTK6))<br>(OPT HL11VAZ6-3<br>(V60516)) |          | 8            |
| R 690       | HL11VAZ6-7  |                     | .BOLT-<br>(V56878)<br>(SPEC BACB30NW6K7)<br>(OPT HL11V6-7<br>(V92215))<br>(OPT HL11V6-7<br>(V97928))<br>(OPT L803-6-7<br>(V06725))<br>(OPT B30NW6K7<br>(V97928))<br>(OPT HL11VAZ6-7<br>(V73197))<br>(OPT HL11VAZ6-7<br>(V92215))<br>(OPT HL11VAZ6-7<br>(V97928))                        |          | 6            |

55-40-13

 ILLUSTRATED PARTS LIST  
 01.1 Page 1054K  
 Nov 01/00



| FIG. & ITEM  | PART NO.    | AIRLINE PART NUMBER | NOMENCLATURE<br>1234567   | EFF CODE | QTY PER ASSY |
|--------------|-------------|---------------------|---|----------|--------------|
| R 02-<br>695 | BACB30MY6K2 |                     | .BOLT   |          | 4            |
| R 700        | HL97DU6     |                     | .COLLAR-<br>(V73197)<br>(SPEC BACC30AB6S)<br>(OPT HL97DU6<br>(V92215))<br>(OPT HL97DU6<br>(V56878))<br>(OPT ITEM 700A)  |          | 18           |
| -700A        | KFN305C3    |                     | .NUT-<br>(V15653)<br>(OPT ITEM 700)   |          | 18           |
| R 705        | 173T2053-30 |                     | .SHIM   |          | 2            |
| R 710        | 173T2053-37 |                     | .SHIM   |          | 2            |
| R 715        | 173T2053-34 |                     | .SHIM<br>-----*   |          | 2            |
| R 720        | 173T2009-1  |                     | .PANEL  |          | 1            |
| R 725        | 173T2009-2  |                     | .PANEL  |          | 1            |
| R 730        | HL11VAZ6-5  |                     | ATTACHING PARTS<br>.BOLT-<br>(V56878)<br>(SPEC BACB30NW6K5)<br>(OPT HL11V6-5<br>(V92215))<br>(OPT HL11V6-5<br>(V97928))<br>(OPT L803-6-5<br>(V06725))<br>(OPT B30NW6K5<br>(V97928))<br>(OPT HL11VAZ6-5<br>(V73197))<br>(OPT HL11VAZ6-5<br>(V92215))<br>(OPT HL11VAZ6-5<br>(V97928)) |          | 8            |

55-40-13

 ILLUSTRATED PARTS LIST  
 01.1 Page 1054L  
 Nov 01/00


**BOEING**  
 COMPONENT  
 MAINTENANCE MANUAL

| FIG. & ITEM | PART NO.    | AIRLINE PART NUMBER | NOMENCLATURE<br>1234567   | EFF CODE | QTY PER ASSY |
|-------------|-------------|---------------------|---|----------|--------------|
| R 02-735    | HL97DU6     |                     | .COLLAR-<br>(V73197)<br>(SPEC BACC30AB6S)<br>(OPT HL97DU6<br>(V92215))<br>(OPT HL97DU6<br>(V56878))<br>(OPT ITEM 735A)  |          | 8            |
| -735A       | KFN305C3    |                     | .NUT-<br>(V15653)<br>(OPT ITEM 735)   |          | 8            |
| R 740       | 173T2053-45 |                     | .SHIM   |          | 2            |
| R 745       | 173T2053-78 |                     | .SHIM   |          | 2            |
| R 750       | 173T2053-79 |                     | .SHIM<br>-----*   |          | 2            |
| R 755       | 173T2008-4  |                     | .RIB-<br>(USED ON ITEM 1A)  | A,B      | 1            |
| -755A       | 173T2008-12 |                     | .RIB-<br>(USED ON ITEM 1B)  | B-D      | 1            |
| R 760       | HL11VAZ6-3  |                     | ATTACHING PARTS<br>.BOLT-<br>(V56878)<br>(SPEC BACB30NW6K3)<br>(OPT B30NW6K3<br>(V97928))<br>(OPT HL11VAZ6-3<br>(V73197))<br>(OPT HL11VAZ6-3<br>(V92215))<br>(OPT HL11VAZ6-3<br>(V97928))<br>(OPT L803-6K3<br>(V06725))<br>(OPT HL11VAZ6-3<br>(V0PTK6))<br>(OPT HL11VAZ6-3<br>(V60516)) |          | 15           |

55-40-13

 ILLUSTRATED PARTS LIST  
 01.1 Page 1054M  
 Nov 01/00

| FIG. & ITEM | PART NO.    | AIRLINE PART NUMBER | NOMENCLATURE<br>1234567  | EFF CODE | QTY PER ASSY |
|-------------|-------------|---------------------|--|----------|--------------|
| R 02-765    | HL11VAZ6-7  |                     | .BOLT-<br>(V56878)<br>(SPEC BACB30NW6K7)<br>(OPT HL11V6-7<br>(V92215))<br>(OPT HL11V6-7<br>(V97928))<br>(OPT L803-6-7<br>(V06725))<br>(OPT B30NW6K7<br>(V97928))<br>(OPT HL11VAZ6-7<br>(V73197))<br>(OPT HL11VAZ6-7<br>(V92215))<br>(OPT HL11VAZ6-7<br>(V97928)) |          | 6            |
| R 770       | BACB30MY6K2 |                     | .BOLT  |          | 9            |
| R 775       | HL97DU6     |                     | .COLLAR-<br>(V73197)<br>(SPEC BACC30AB6S)<br>(OPT HL97DU6<br>(V92215))<br>(OPT HL97DU6<br>(V56878))<br>(OPT ITEM 775A)   |          | 30           |
| -775A       | KFN305C3    |                     | .NUT-<br>(V15653)<br>(OPT ITEM 775)  |          | 30           |
| R 780       | 173T2053-31 |                     | .SHIM  |          | 2            |
| R 785       | 173T2053-37 |                     | .SHIM  |          | 2            |

55-40-13

 ILLUSTRATED PARTS LIST  
 01.1 Page 1054N  
 Nov 01/00


**BOEING**  
 COMPONENT  
 MAINTENANCE MANUAL

| FIG. & ITEM | PART NO.    | AIRLINE PART NUMBER | NOMENCLATURE<br>1234567  | EFF CODE | QTY PER ASSY |
|-------------|-------------|---------------------|--|----------|--------------|
| R 02-790    | 173T2053-33 |                     | .SHIM<br>-----*-----   |          | 2            |
| R 795       | 173T2008-3  |                     | .BOND ASSY<br>ATTACHING PARTS  |          | 1            |
| R 800       | HL11VAZ6-5  |                     | .BOLT-<br>(V56878)<br>(SPEC BACB30NW6K5)<br>(OPT HL11V6-5<br>(V92215))<br>(OPT HL11V6-5<br>(V97928))<br>(OPT L803-6-5<br>(V06725))<br>(OPT B30NW6K5<br>(V97928))<br>(OPT HL11VAZ6-5<br>(V73197))<br>(OPT HL11VAZ6-5<br>(V92215))<br>(OPT HL11VAZ6-5<br>(V97928)) |          | 56           |
| R 805       | HL97DU6     |                     | .COLLAR-<br>(V73197)<br>(SPEC BACC30AB6S)<br>(OPT HL97DU6<br>(V92215))<br>(OPT HL97DU6<br>(V56878))<br>(OPT ITEM 805A)   |          | 56           |
| -805A       | KFN305C3    |                     | .NUT-<br>(V15653)<br>(OPT ITEM 805)  |          | 56           |
| R 810       | 173T2053-17 |                     | .SHIM  |          | 1            |
| R 815       | 173T2053-18 |                     | .SHIM  |          | 1            |
| R 820       | 173T2053-57 |                     | .SHIM  |          | 2            |
| R 825       | 173T2053-58 |                     | .SHIM<br>-----*-----   |          | 2            |
| R 830       | 173T2008-7  |                     | .BOND ASSY   |          | 2            |

55-40-13

 ILLUSTRATED PARTS LIST  
 01.1 Page 10540  
 Nov 01/00

| FIG. & ITEM | PART NO.   | AIRLINE PART NUMBER | NOMENCLATURE<br>1234567   | EFF CODE | QTY PER ASSY |
|-------------|------------|---------------------|---|----------|--------------|
| 02-         |            |                     |   |          |              |
| R 840       | HL11VAZ6-5 |                     | ATTACHING PARTS<br>.BOLT-<br>(V56878)<br>(SPEC BACB30NW6K5)<br>(OPT HL11V6-5<br>(V92215))<br>(OPT HL11V6-5<br>(V97928))<br>(OPT L803-6-5<br>(V06725))<br>(OPT B30NW6K5<br>(V97928))<br>(OPT HL11VAZ6-5<br>(V73197))<br>(OPT HL11VAZ6-5<br>(V92215))<br>(OPT HL11VAZ6-5<br>(V97928)) |          | 4            |
| R 845       | HL97DU6    |                     | .COLLAR-<br>(V73197)<br>(SPEC BACC30AB6S)<br>(OPT HL97DU6<br>(V92215))<br>(OPT HL97DU6<br>(V56878))<br>(OPT ITEM 845A)  |          | 4            |
| -845A       | KFN305C3   |                     | .NUT-<br>(V15653)<br>(OPT ITEM 845)<br>-----*   |          | 4            |
| R 850       | 173T2008-2 |                     | .BOND ASSY  |          | 1            |

**55-40-13**

 ILLUSTRATED PARTS LIST  
 01.1 Page 1054P  
 Nov 01/00


**BOEING**  
 COMPONENT  
 MAINTENANCE MANUAL

| FIG. & ITEM  | PART NO.   | AIRLINE PART NUMBER | NOMENCLATURE<br>1234567   | EFF CODE | QTY PER ASSY |
|--------------|------------|---------------------|---|----------|--------------|
| R 02-<br>855 | HL11VAZ6-5 |                     | ATTACHING PARTS<br>.BOLT-<br>(V56878)<br>(SPEC BACB30NW6K5)<br>(OPT HL11V6-5<br>(V92215))<br>(OPT HL11V6-5<br>(V97928))<br>(OPT L803-6-5<br>(V06725))<br>(OPT B30NW6K5<br>(V97928))<br>(OPT HL11VAZ6-5<br>(V73197))<br>(OPT HL11VAZ6-5<br>(V92215))<br>(OPT HL11VAZ6-5<br>(V97928)) |          | 52           |
| R 860        | HL97DU6    |                     | .COLLAR-<br>(V73197)<br>(SPEC BACC30AB6S)<br>(OPT HL97DU6<br>(V92215))<br>(OPT HL97DU6<br>(V56878))<br>(OPT ITEM 860A)  |          | 52           |
| -860A        | KFN305C3   |                     | .NUT-<br>(V15653)<br>(OPT ITEM 860)   |          | 52           |

55-40-13

 ILLUSTRATED PARTS LIST  
 01.1 Page 1054Q  
 Nov 01/00

| FIG. & ITEM | PART NO.    | AIRLINE PART NUMBER | NOMENCLATURE<br>1234567  | EFF CODE | QTY PER ASSY |
|-------------|-------------|---------------------|--|----------|--------------|
| 02-         |             |                     |  |          |              |
| R 865       | 173T2053-15 |                     | .SHIM  |          | 1            |
| R 870       | 173T2053-16 |                     | .SHIM  |          | 1            |
| R 875       | 173T2053-55 |                     | .SHIM  |          | 2            |
| R 880       | 173T2053-56 |                     | .SHIM  |          | 2            |
| R 885       | 173T2053-13 |                     | .SHIM  |          | 1            |
| R 890       | 173T2053-14 |                     | .SHIM  |          | 1            |
| R 895       | 173T2053-53 |                     | .SHIM  |          | 2            |
| R 900       | 173T2053-54 |                     | .SHIM  |          | 2            |
|             |             |                     | -----*-----  |          |              |
| R 905       | 173T2008-5  |                     | .BOND ASSY<br>ATTACHING PARTS  |          | 2            |
| R 915       | HL11VAZ6-5  |                     | .BOLT-<br>(V56878)<br>(SPEC BACB30NW6K5)<br>(OPT HL11V6-5<br>(V92215))<br>(OPT HL11V6-5<br>(V97928))<br>(OPT L803-6-5<br>(V06725))<br>(OPT B30NW6K5<br>(V97928))<br>(OPT HL11VAZ6-5<br>(V73197))<br>(OPT HL11VAZ6-5<br>(V92215))<br>(OPT HL11VAZ6-5<br>(V97928)) |          | 4            |
| R 920       | HL97DU6     |                     | .COLLAR-<br>(V73197)<br>(SPEC BACC30AB6S)<br>(OPT HL97DU6<br>(V92215))<br>(OPT HL97DU6<br>(V56878))<br>(OPT ITEM 920A)   |          | 4            |
| -920A       | KFN305C3    |                     | .NUT-<br>(V15653)<br>(OPT ITEM 920)<br>-----*-----   |          | 4            |

55-40-13

 ILLUSTRATED PARTS LIST  
 01.1 Page 1054R  
 Nov 01/00


**BOEING**  
 COMPONENT  
 MAINTENANCE MANUAL

| FIG. & ITEM | PART NO.   | AIRLINE PART NUMBER | NOMENCLATURE<br>1234567  | EFF CODE | QTY PER ASSY |
|-------------|------------|---------------------|--|----------|--------------|
| R 02-925    | 173T2008-1 |                     | .BOND ASSY<br>ATTACHING PARTS  |          | 1            |
| R 930       | HL11VAZ6-5 |                     | .BOLT-<br>(V56878)<br>(SPEC BACB30NW6K5)<br>(OPT HL11V6-5<br>(V92215))<br>(OPT HL11V6-5<br>(V97928))<br>(OPT L803-6-5<br>(V06725))<br>(OPT B30NW6K5<br>(V97928))<br>(OPT HL11VAZ6-5<br>(V73197))<br>(OPT HL11VAZ6-5<br>(V92215))<br>(OPT HL11VAZ6-5<br>(V97928)) |          | 22           |
| R 935       | HL11VAZ6-4 |                     | .BOLT-<br>(V56878)<br>(SPEC BACB30NW6K4)<br>(OPT HL11V6-4<br>(V92215))<br>(OPT HL11V6-4<br>(V97928))<br>(OPT L803-6-4<br>(V06725))<br>(OPT B30NW6K4<br>(V97928))<br>(OPT HL11VAZ6-4<br>(V73197))<br>(OPT HL11VAZ6-4<br>(V92215))<br>(OPT HL11VAZ6-4<br>(V97928)) |          | 12           |
| R 940A      | HL97DU6    |                     | .COLLAR-<br>(V73197)<br>(SPEC BACC30AB6S)<br>(OPT HL97DU6<br>(V92215))<br>(OPT HL97DU6<br>(V56878))<br>(OPT ITEM 940B)   |          | 34           |

55-40-13

 ILLUSTRATED PARTS LIST  
 01.1 Page 1054S  
 Nov 01/00

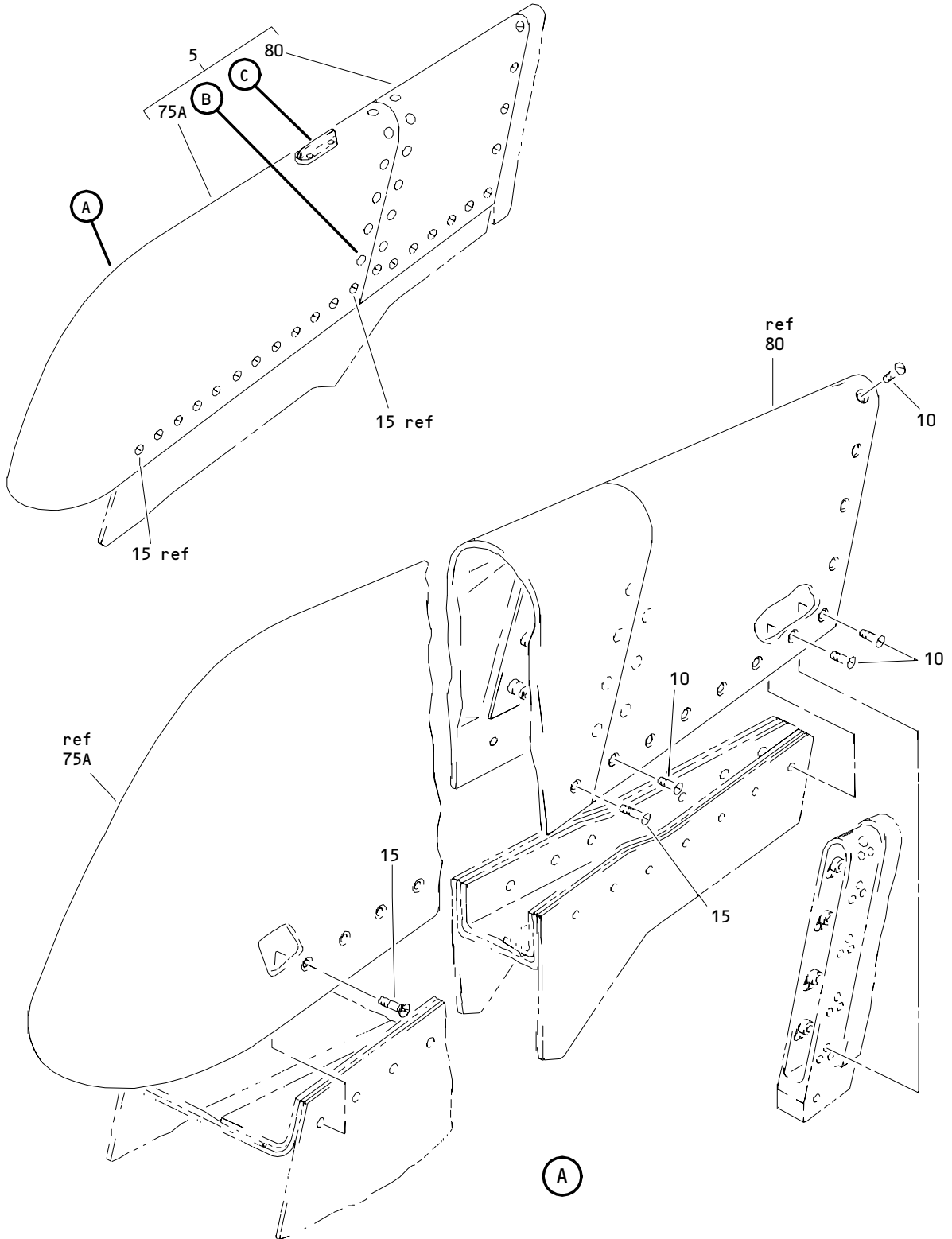


| FIG. & ITEM  | PART NO.    | AIRLINE PART NUMBER | NOMENCLATURE                         | EFF CODE | QTY PER ASSY |
|--------------|-------------|---------------------|--------------------------------------|----------|--------------|
|              |             |                     | 1234567                              |          |              |
| 02-<br>-940B | KFN305C3    |                     | .NUT-<br>(V15653)<br>(OPT ITEM 940A) |          | 34           |
| R 945        | 173T2053-11 |                     | .SHIM                                |          | 1            |
| R 950        | 173T2053-12 |                     | .SHIM                                |          | 1            |
| R 955        | 173T2053-51 |                     | .SHIM                                |          | 2            |
| R 960        | 173T2053-52 |                     | .SHIM<br>-----*-----                 |          | 2            |

- Item Not Illustrated

# 55-40-13

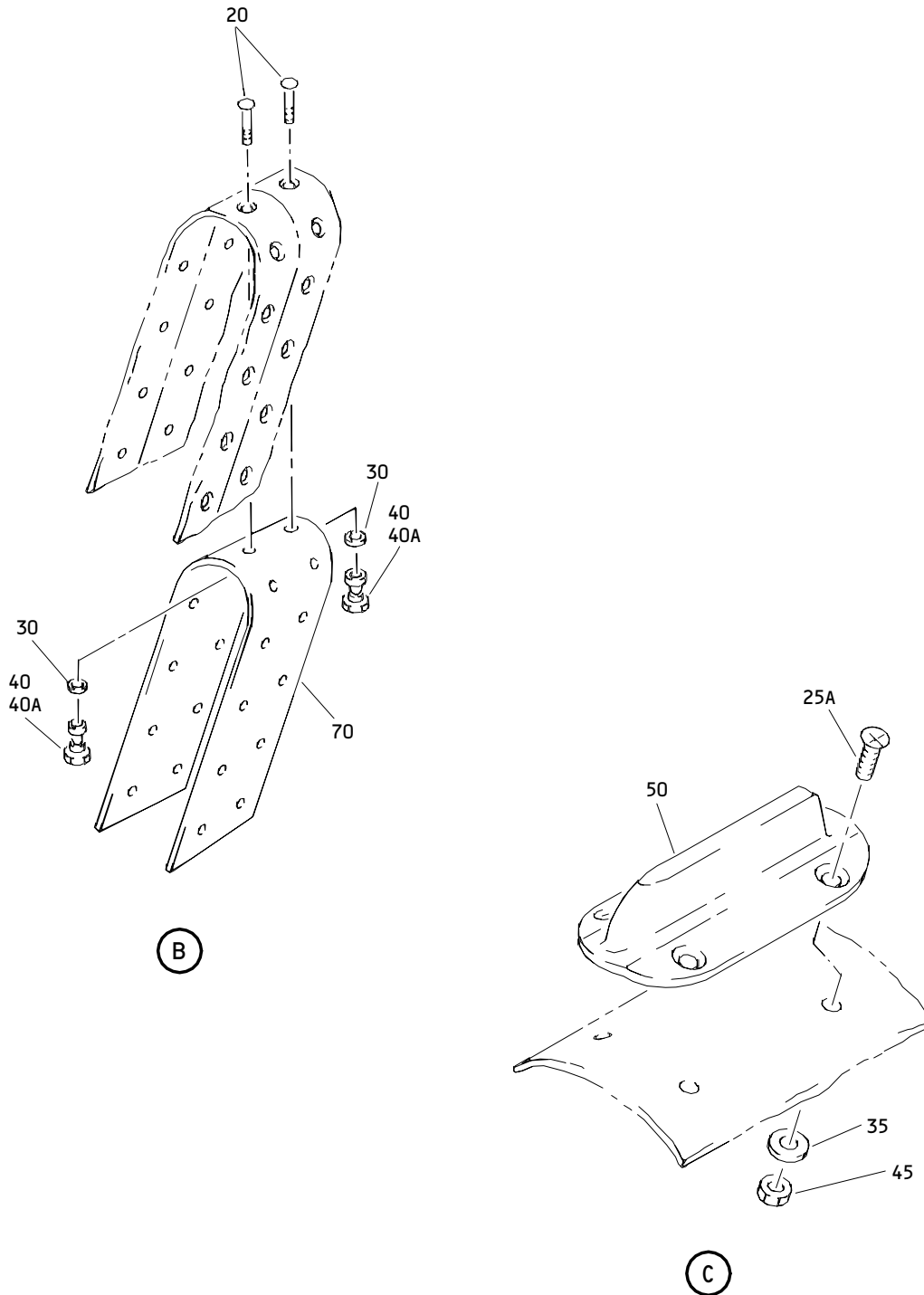
ILLUSTRATED PARTS LIST  
 01.1 Page 1054T  
 Nov 01/00



Rudder Tip Installation  
Figure 3 (Sheet 1)

**55-40-13**

ILLUSTRATED PARTS LIST  
01.1 Page 1054U  
Nov 01/00



Rudder Tip Installation  
 Figure 3 (Sheet 2)

**55-40-13**

ILLUSTRATED PARTS LIST  
 01.1 Page 1054V  
 Nov 01/00


**BOEING**  
 COMPONENT  
 MAINTENANCE MANUAL

| FIG. & ITEM | PART NO.     | AIRLINE PART NUMBER | NOMENCLATURE<br>1234567   | EFF CODE | QTY PER ASSY |
|-------------|--------------|---------------------|---|----------|--------------|
| R 03-<br>-1 | 173T2002-1   |                     | TIP INSTL-UD<br>(REWORK DWG<br>173T2091-1)  | A        | RF           |
| R 5         | 173T2002-3   |                     | .TIP ASSY-<br>(REWORK DWG<br>173T2091-1)<br>(-3 AFTER REWORK PER<br>173T2091-1 IS I/W -4)   | A        | 1            |
| R 10        | BACB30NU3K6  |                     | ATTACHING PARTS<br>.BOLT  | A        | 22           |
| R 15        | BACB30NU4K9  |                     | .BOLT<br>-----*-----  | A        | 24           |
| R 20        | HL11VAZ6-4   |                     | ..BOLT-<br>(V56878)<br>(SPEC BACB30NW6K4)<br>(OPT HL11V6-4<br>(V92215))<br>(OPT HL11V6-4<br>(V97928))<br>(OPT L803-6-4<br>(V06725))<br>(OPT B30NW6K4<br>(V97928))<br>(OPT HL11VAZ6-4<br>(V73197))<br>(OPT HL11VAZ6-4<br>(V92215))<br>(OPT HL11VAZ6-4<br>(V97928)) | A        | 22           |
| R 25A       | BACS12ER06K6 |                     | ..SCREW   | A        | 4            |
| R 30        | AN960C10L    |                     | ..WASHER  | A        | 22           |
| R 35        | AN960C6L     |                     | ..WASHER  | A        | 4            |
| R 40        | HL97DU6      |                     | ..COLLAR-<br>(V73197)<br>(SPEC BACC30AB6S)<br>(OPT HL97DU6<br>(V92215))<br>(OPT HL97DU6<br>(V56878))<br>(OPT ITEM 40A)  | A        | 22           |
| R 40A       | KFN305C3     |                     | ..NUT-<br>(V15653)<br>(OPT ITEM 40)   | A        | 22           |
| R 45        | BACN10JC06CM |                     | ..NUT   | A        | 4            |
| R 50        | 173T2002-2   |                     | ..DISCHARGER-STATIC   | A        | 1            |

55-40-13

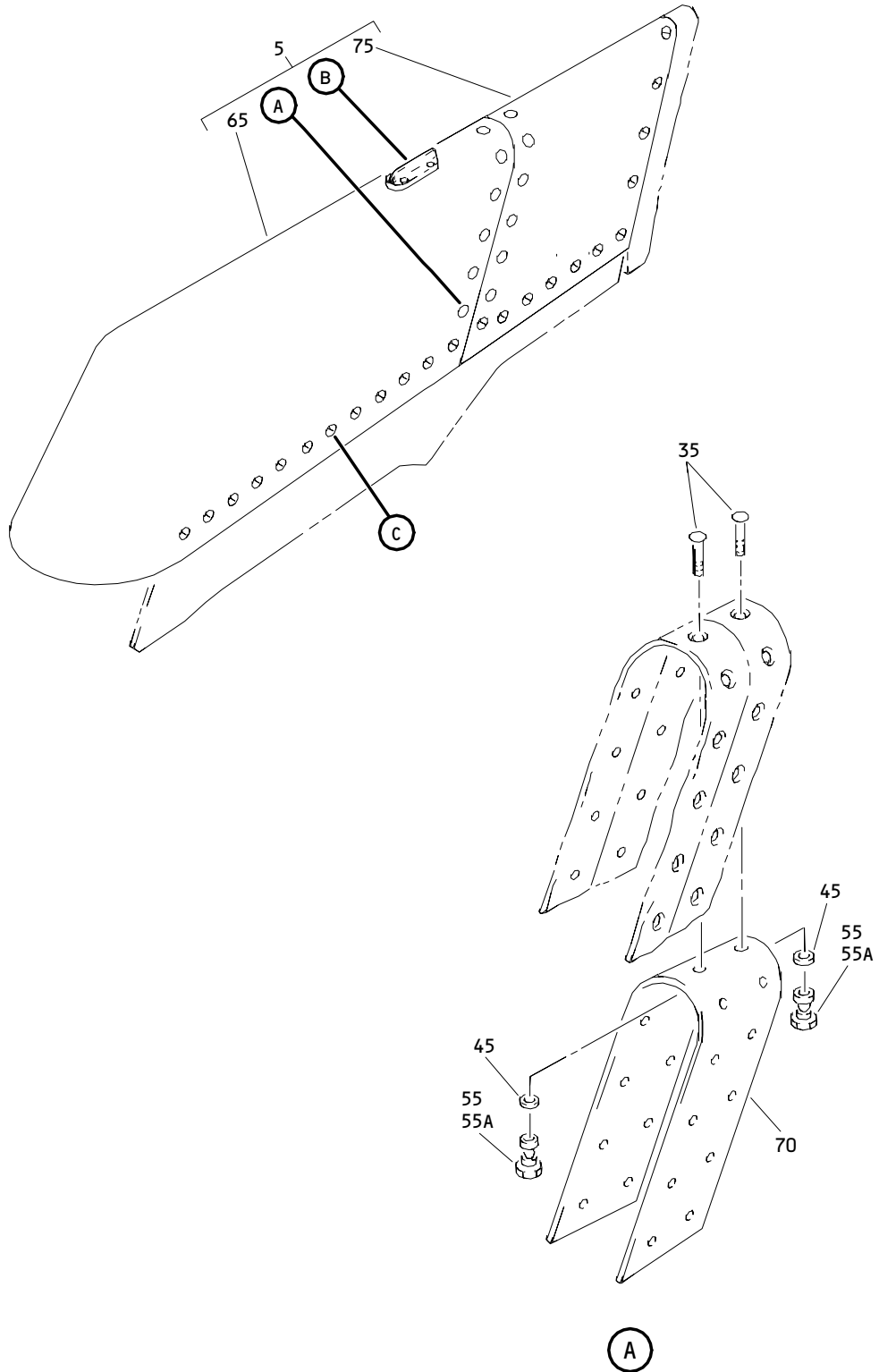
 ILLUSTRATED PARTS LIST  
 01.1 Page 1054W  
 Nov 01/00

| FIG. & ITEM | PART NO.   | AIRLINE PART NUMBER | NOMENCLATURE<br>1234567                    | EFF CODE | QTY PER ASSY |
|-------------|------------|---------------------|--|----------|--------------|
| R 03-70     | 173T2052-4 |                     | ..PLATE-SPLICE AFT                         | A        | 1            |
| R 75A       | 173T2052-5 |                     | ..BOND ASSY-FWD<br>(OPT ITEM 75B)          | A        | 1            |
| R -75B      | 173T2092-1 |                     | ..BOND ASSY-<br>(REWORK DWG<br>173T2091-1) | A        | 1            |
| R 80        | 173T2052-2 |                     | (OPT ITEM 75A)<br>..BOND ASSY-AFT          | A        | 1            |

- Item Not Illustrated

# 55-40-13

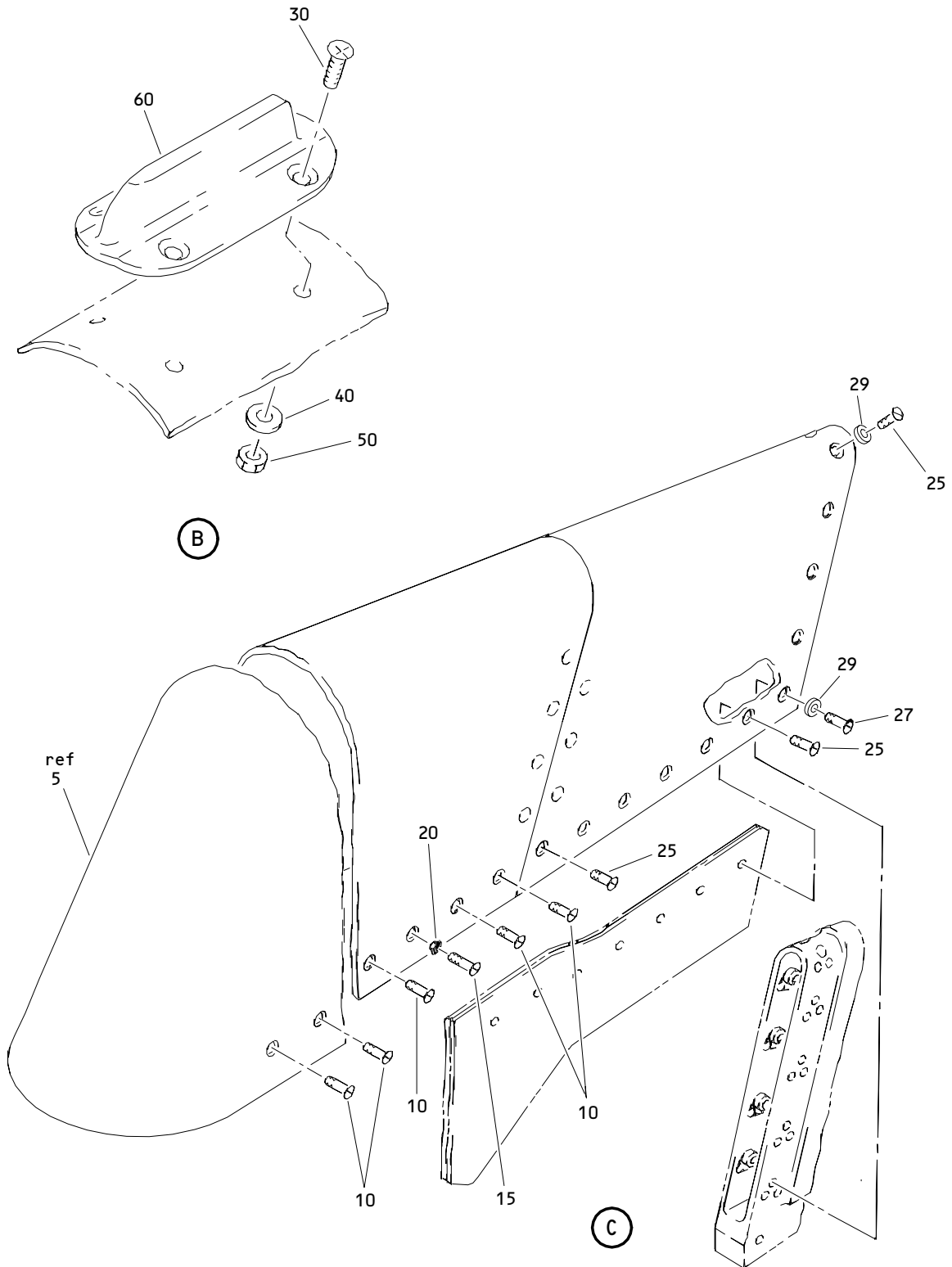
ILLUSTRATED PARTS LIST  
 01.1 Page 1054X  
 Nov 01/00



Rudder Tip Installation  
Figure 4 (Sheet 1)

**55-40-13**

ILLUSTRATED PARTS LIST  
01.1 Page 1054Y  
Nov 01/00



Rudder Tip Installation  
 Figure 4 (Sheet 2)

**55-40-13**

ILLUSTRATED PARTS LIST  
 01.1 Page 1054Z  
 Nov 01/00


**BOEING**  
 COMPONENT  
 MAINTENANCE MANUAL

| FIG. & ITEM | PART NO.     | AIRLINE PART NUMBER | NOMENCLATURE<br>1234567   | EFF CODE | QTY PER ASSY |
|-------------|--------------|---------------------|---|----------|--------------|
| R 04-       |              |                     |   |          |              |
| R -1        | 173T2002-5   |                     | TIP INSTL-RUD   | A,B      | RF           |
| R -1A       | 173T2002-6   |                     | TIP INSTL-RUD   | C,D      | RF           |
| R 5         | 173T2002-4   |                     | .TIP ASSY-<br>(-3 AFTER REWORK PER<br>173T2091-1 IS I/W -4)<br>ATTACHING PARTS  |          | 1            |
| R 10        | BACB30NU4K9  |                     | .BOLT   |          | 22           |
| R 15        | BACB30LL4-9  |                     | .BOLT   |          | 2            |
| R 20        | BACW10DM8P   |                     | .WASHER   |          | 2            |
| R 25        | BACB30NU3K6  |                     | .BOLT   |          | 12           |
| R 27        | BACB30NU3K6  |                     | .BOLT   | A,B      | 10           |
| R -27A      | BACB30VF3K6  |                     | .BOLT   | C,D      | 10           |
| R 29        | BACW10DM6P   |                     | .WASHER   | C,D      | 10           |
|             |              |                     | -----*  |          |              |
| R 30        | BACS12ER06K6 |                     | ..SCREW   |          | 4            |
| R 35        | HL11VAZ6-4   |                     | ..BOLT-<br>(V56878)<br>(SPEC BACB30NW6K4)<br>(OPT HL11V6-4<br>(V92215))<br>(OPT HL11V6-4<br>(V97928))<br>(OPT L803-6-4<br>(V06725))<br>(OPT B30NW6K4<br>(V97928))<br>(OPT HL11VAZ6-4<br>(V73197))<br>(OPT HL11VAZ6-4<br>(V92215))<br>(OPT HL11VAZ6-4<br>(V97928)) |          | 22           |
| R 40        | AN960C6L     |                     | ..WASHER  |          | 4            |
| R 45        | AN960C10L    |                     | ..WASHER  |          | 22           |
| R 50        | BACN10JC06CM |                     | ..NUT   |          | 4            |
| R 55        | HL97DU6      |                     | ..COLLAR-<br>(V73197)<br>(SPEC BACC30AB6S)<br>(OPT HL97DU6<br>(V92215))<br>(OPT HL97DU6<br>(V56878))<br>(OPT ITEM 55A)  |          | 22           |

55-40-13

ILLUSTRATED PARTS LIST

01.1

Page 1055

Nov 01/00



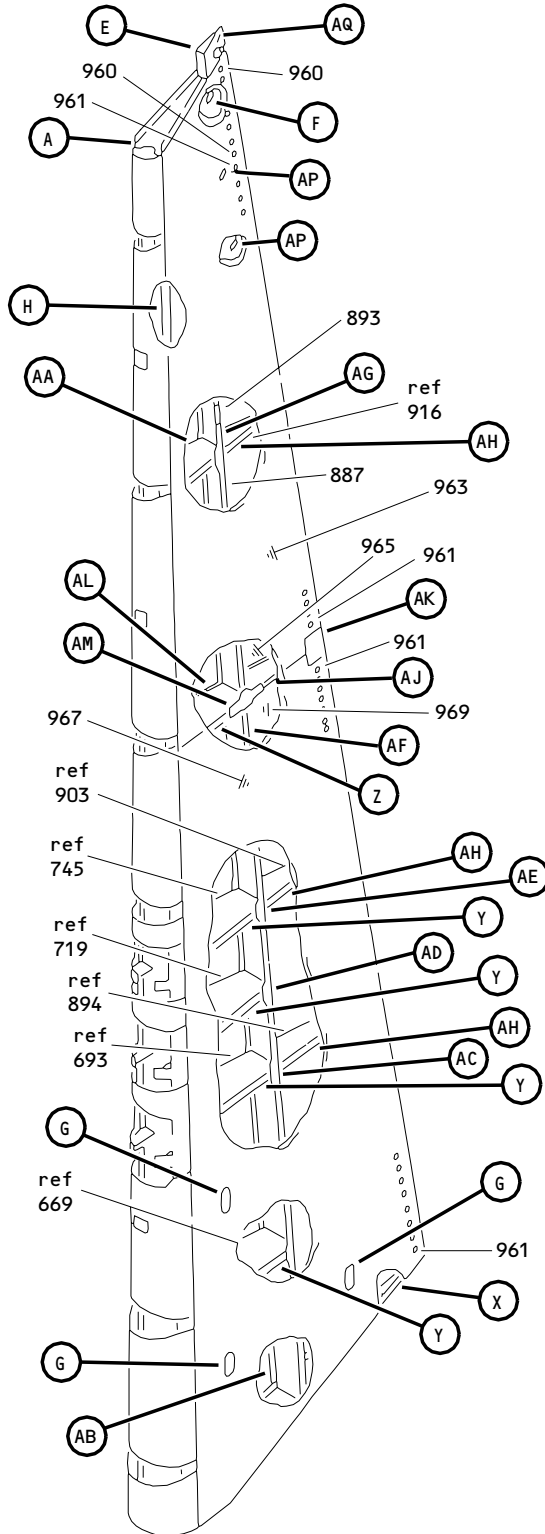
| FIG. & ITEM | PART NO.   | AIRLINE PART NUMBER | NOMENCLATURE                        | EFF CODE | QTY PER ASSY |
|-------------|------------|---------------------|-------------------------------------|----------|--------------|
|             |            |                     | 1234567                             |          |              |
| R 04-55A    | KFN305C3   |                     | ..NUT-<br>(V15653)<br>(OPT ITEM 55) |          | 22           |
| R 60        | 173T2002-2 |                     | ..DISCHARGER-STATIC                 |          | 1            |
| R 65        | 173T2052-5 |                     | ..BOND ASSY-FWD                     |          | 1            |
| R 70        | 173T2052-4 |                     | ..PLATE-SPLICE                      |          | 1            |
| R 75        | 173T2052-2 |                     | ..BOND ASSY-AFT                     |          | 1            |

- Item Not Illustrated

# 55-40-13

ILLUSTRATED PARTS LIST  
 01.1 Page 1056  
 Nov 01/00

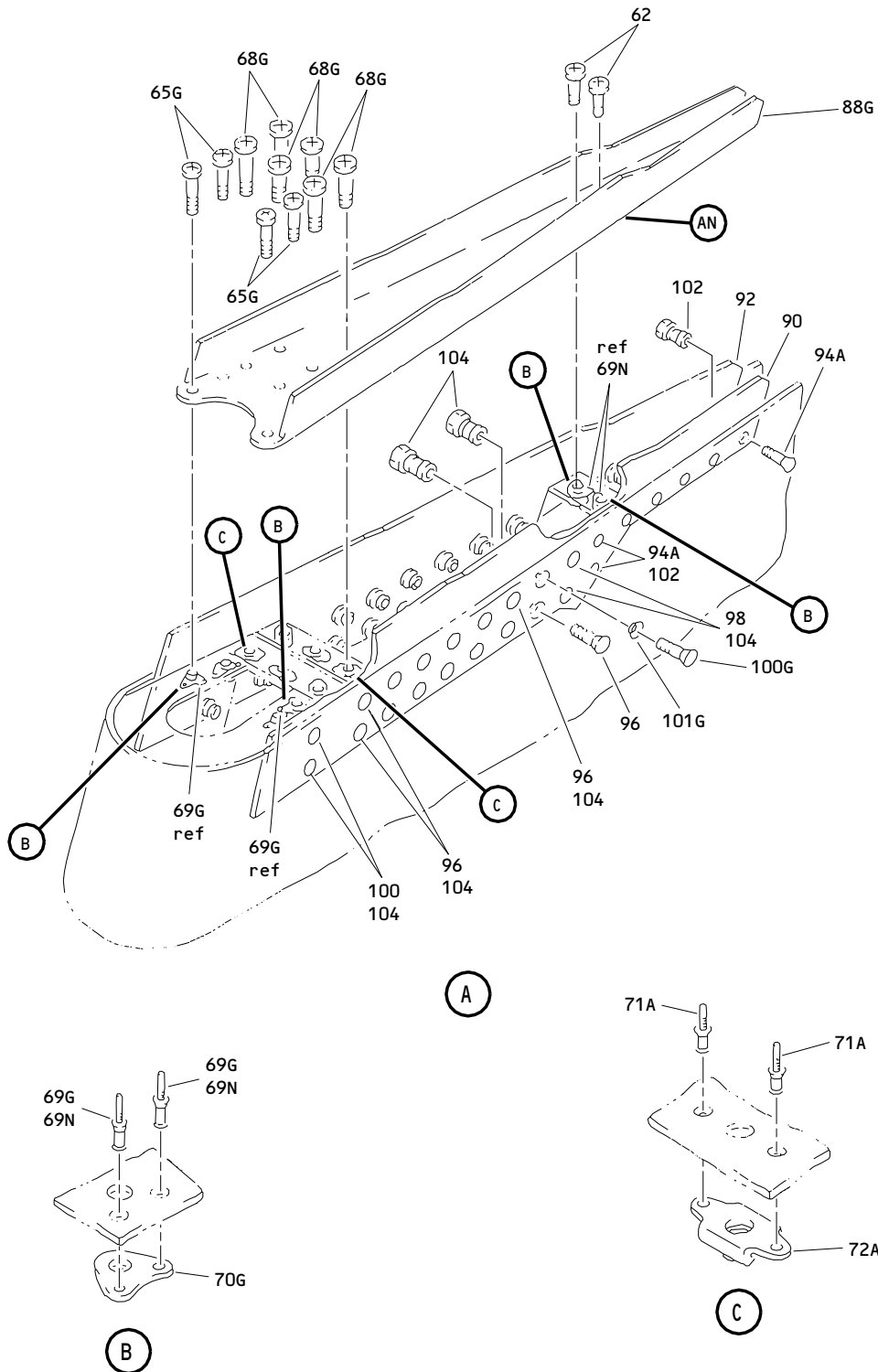
**BOEING**  
COMPONENT  
MAINTENANCE MANUAL



Rudder Assembly  
Figure 5 (Sheet 1)

**55-40-13**

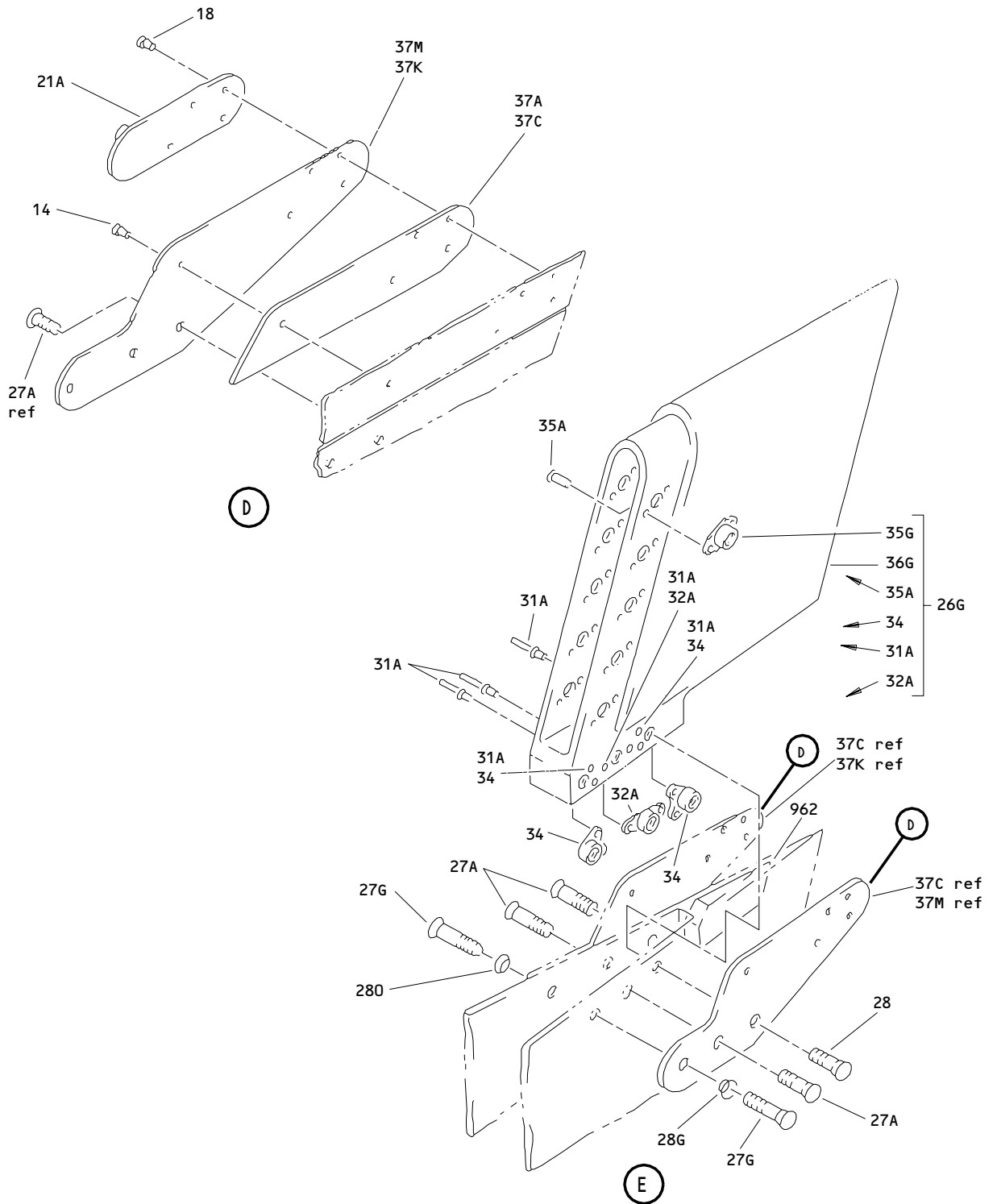
ILLUSTRATED PARTS LIST  
01.1 Page 1056A  
Nov 01/00



Rudder Assembly  
 Figure 5 (Sheet 2)

**55-40-13**

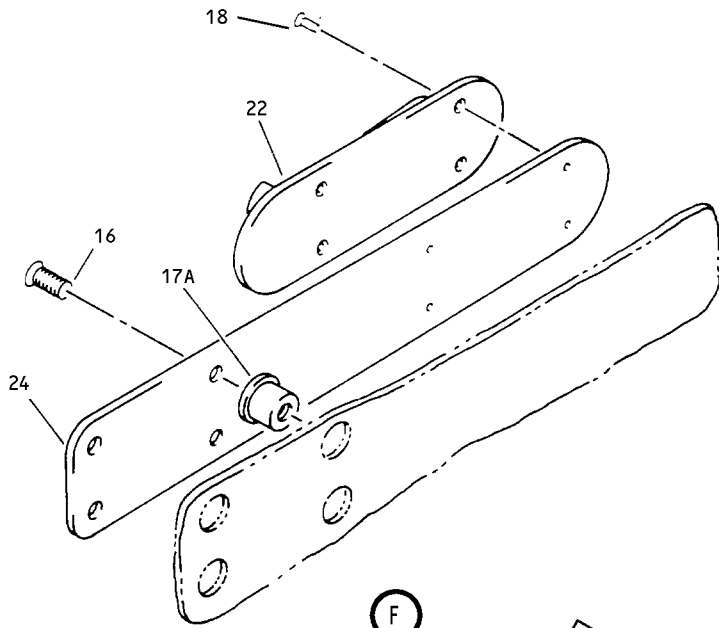
ILLUSTRATED PARTS LIST  
 01.1 Page 1056B  
 Nov 01/00



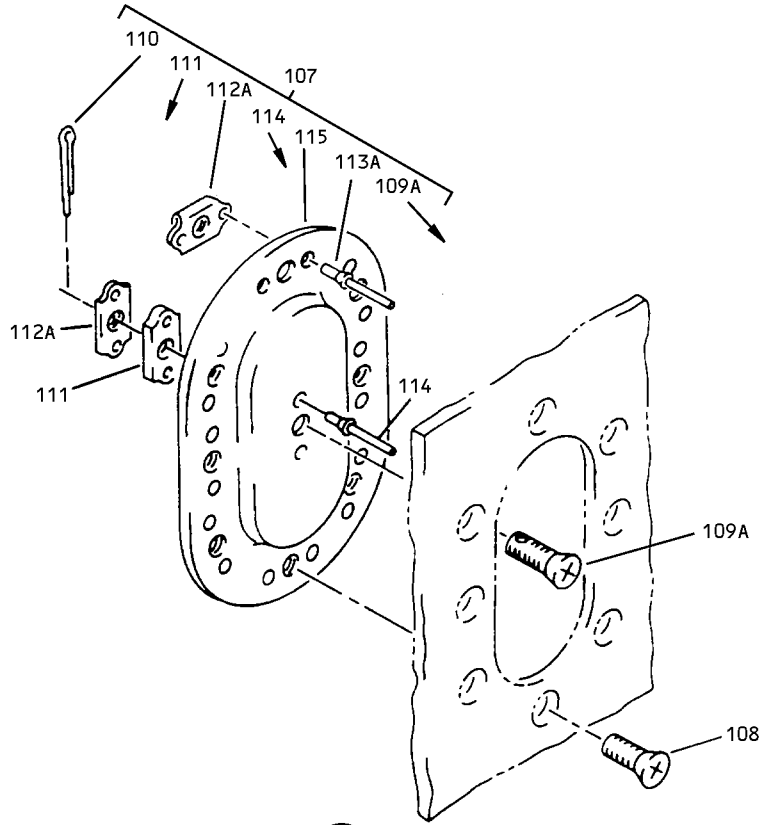
Rudder Assembly  
 Figure 5 (Sheet 3)

**55-40-13**

ILLUSTRATED PARTS LIST  
 01.1 Page 1056C  
 Nov 01/00



F

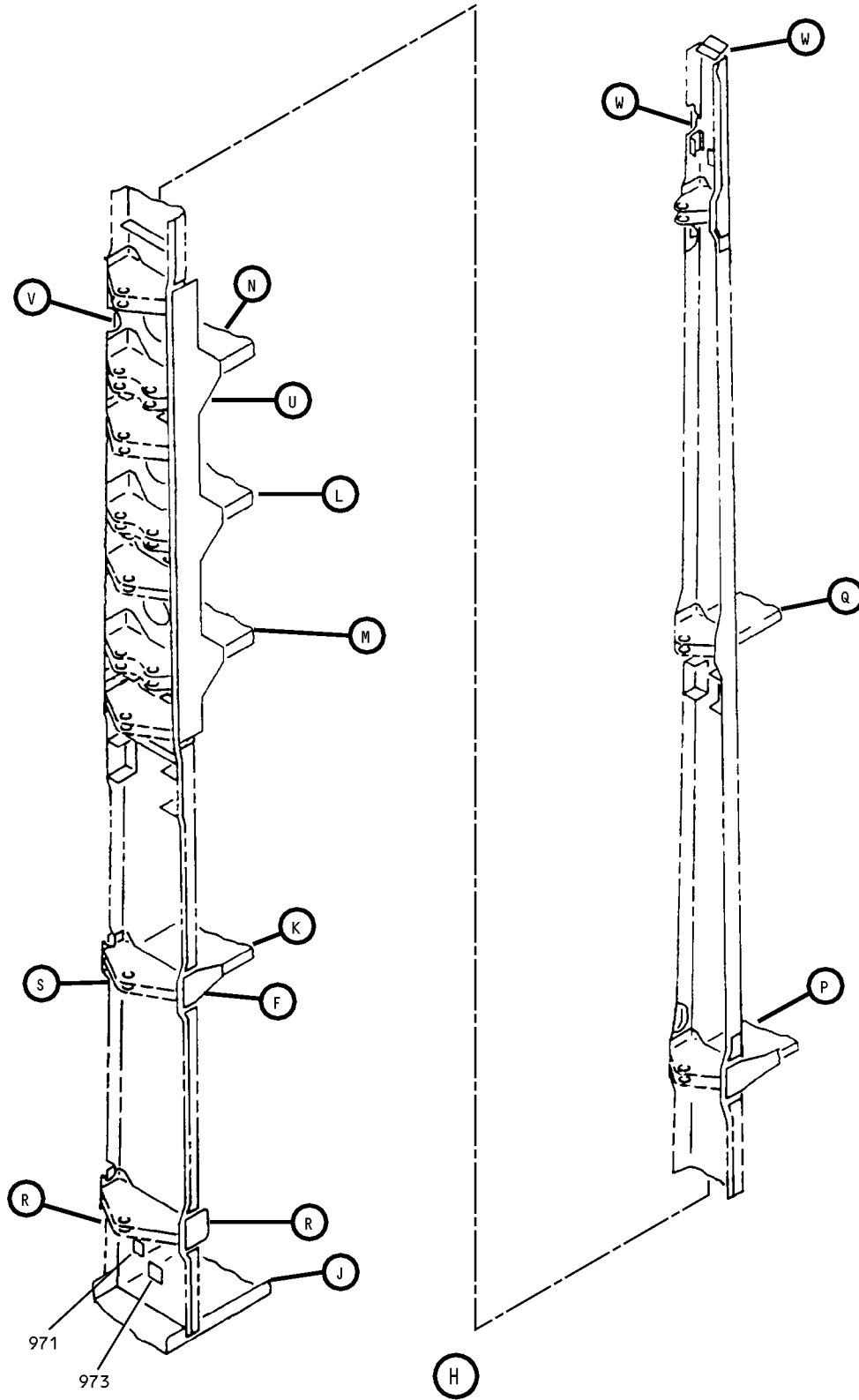


G

Rudder Assembly  
 Figure 5 (Sheet 4)

**55-40-13**

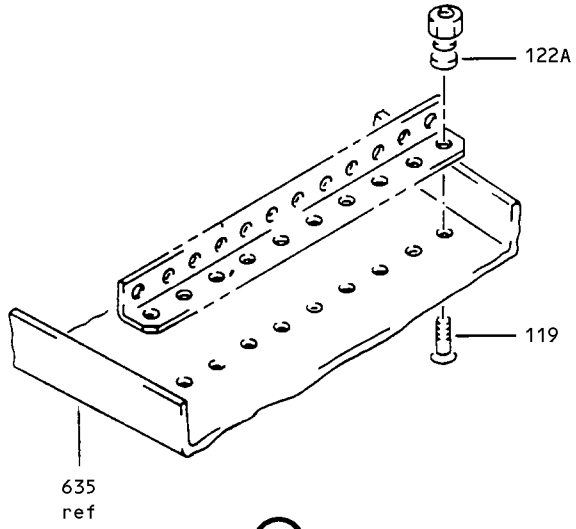
ILLUSTRATED PARTS LIST  
 01.1 Page 1056D  
 Nov 01/00



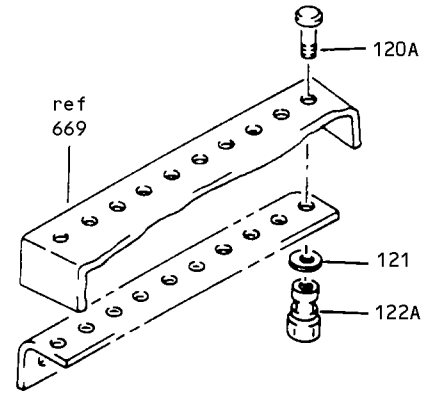
Rudder Assembly  
Figure 5 (Sheet 5)

**55-40-13**

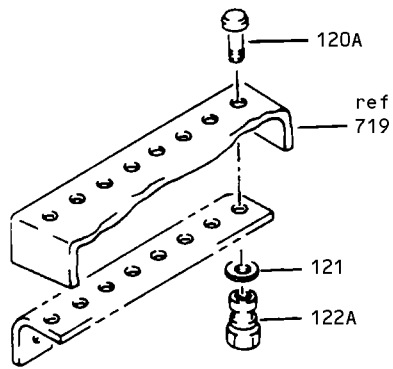
ILLUSTRATED PARTS LIST  
01.1 Page 1056E  
Nov 01/00



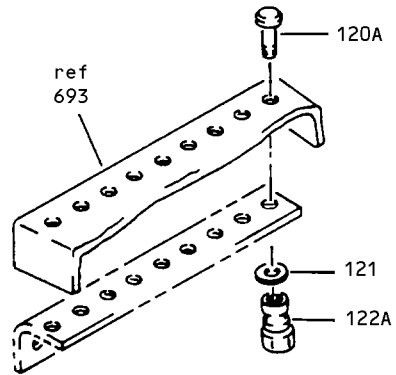
J



K



L

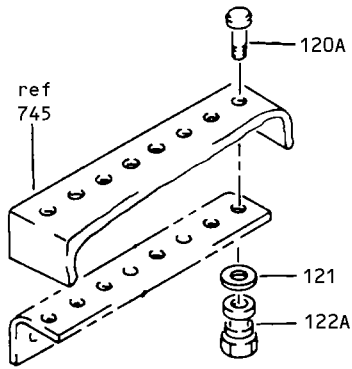


M

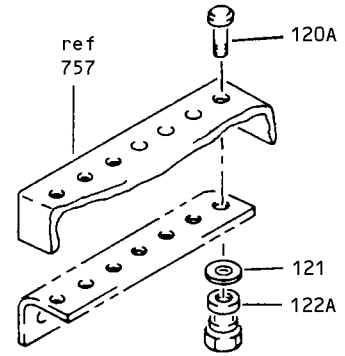
Rudder Assembly  
 Figure 5 (Sheet 6)

**55-40-13**

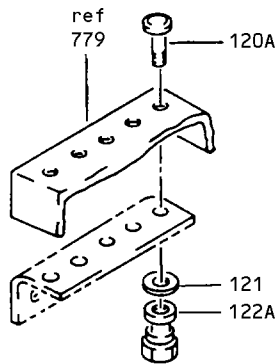
ILLUSTRATED PARTS LIST  
 01.1 Page 1056F  
 Nov 01/00



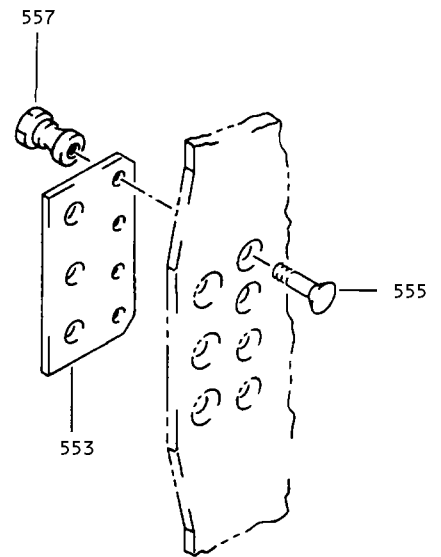
(N)



(P)



(Q)



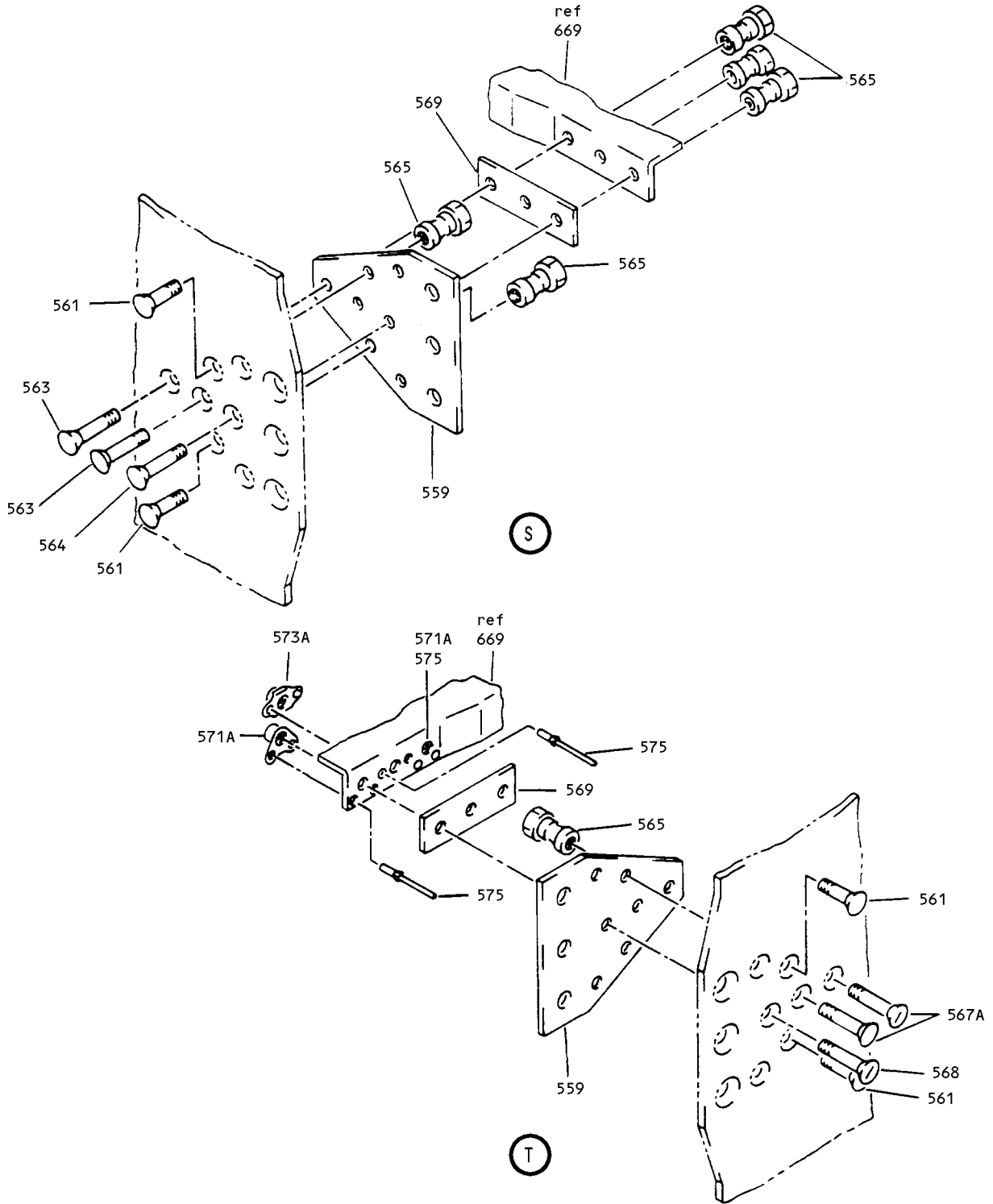
(R)

Rudder Assembly  
 Figure 5 (Sheet 7)

**55-40-13**

ILLUSTRATED PARTS LIST  
 01.1 Page 1056G  
 Nov 01/00

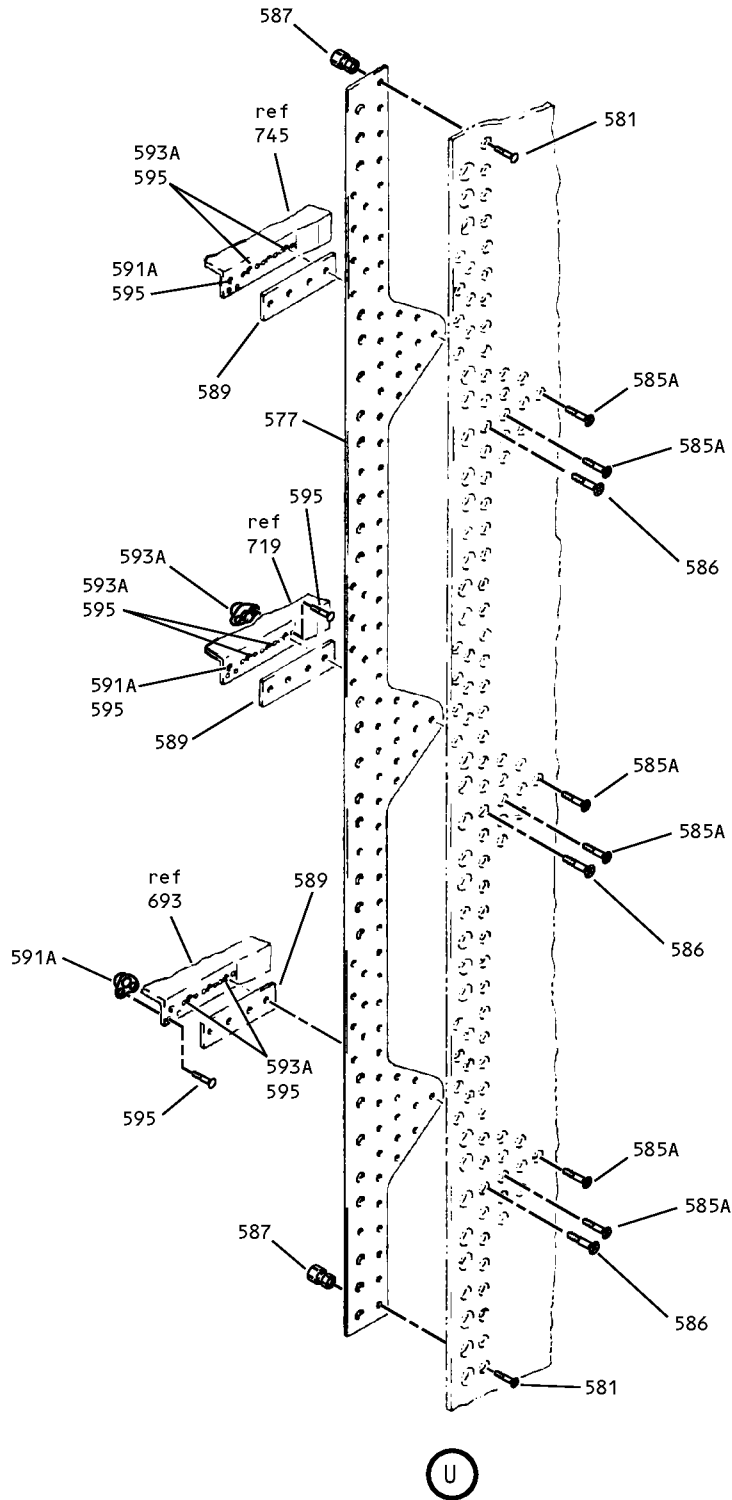




Rudder Assembly  
Figure 5 (Sheet 8)

**55-40-13**

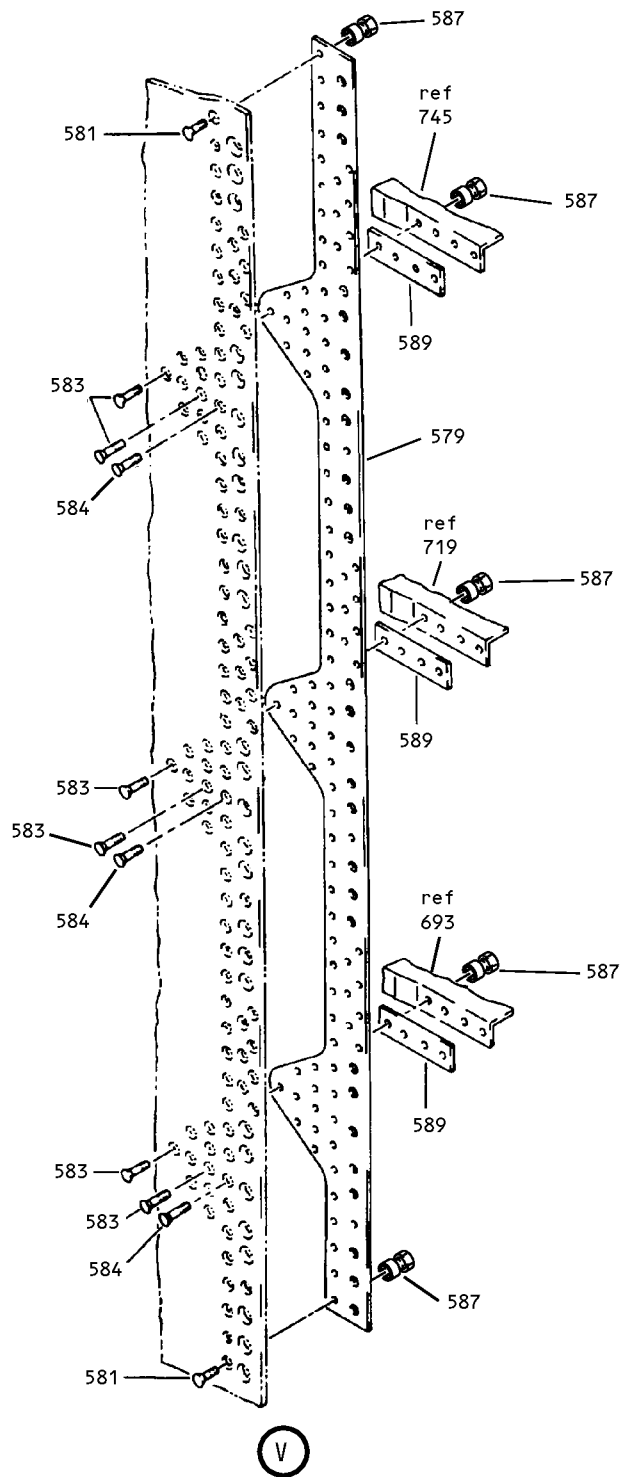
ILLUSTRATED PARTS LIST  
01.1 Page 1056H  
Nov 01/00



Rudder Assembly  
Figure 5 (Sheet 9)

**55-40-13**

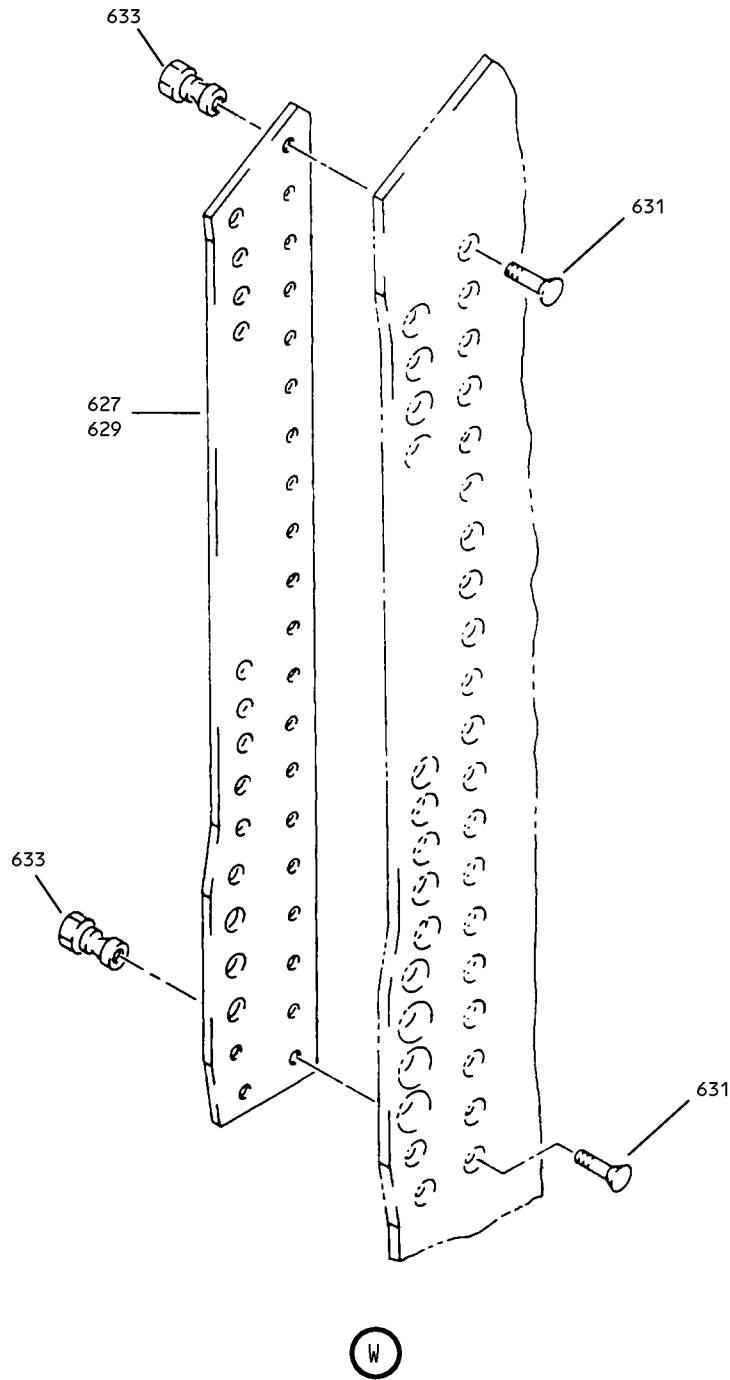
ILLUSTRATED PARTS LIST  
01.1 Page 1056I  
Nov 01/00



Rudder Assembly  
Figure 5 (Sheet 10)

**55-40-13**

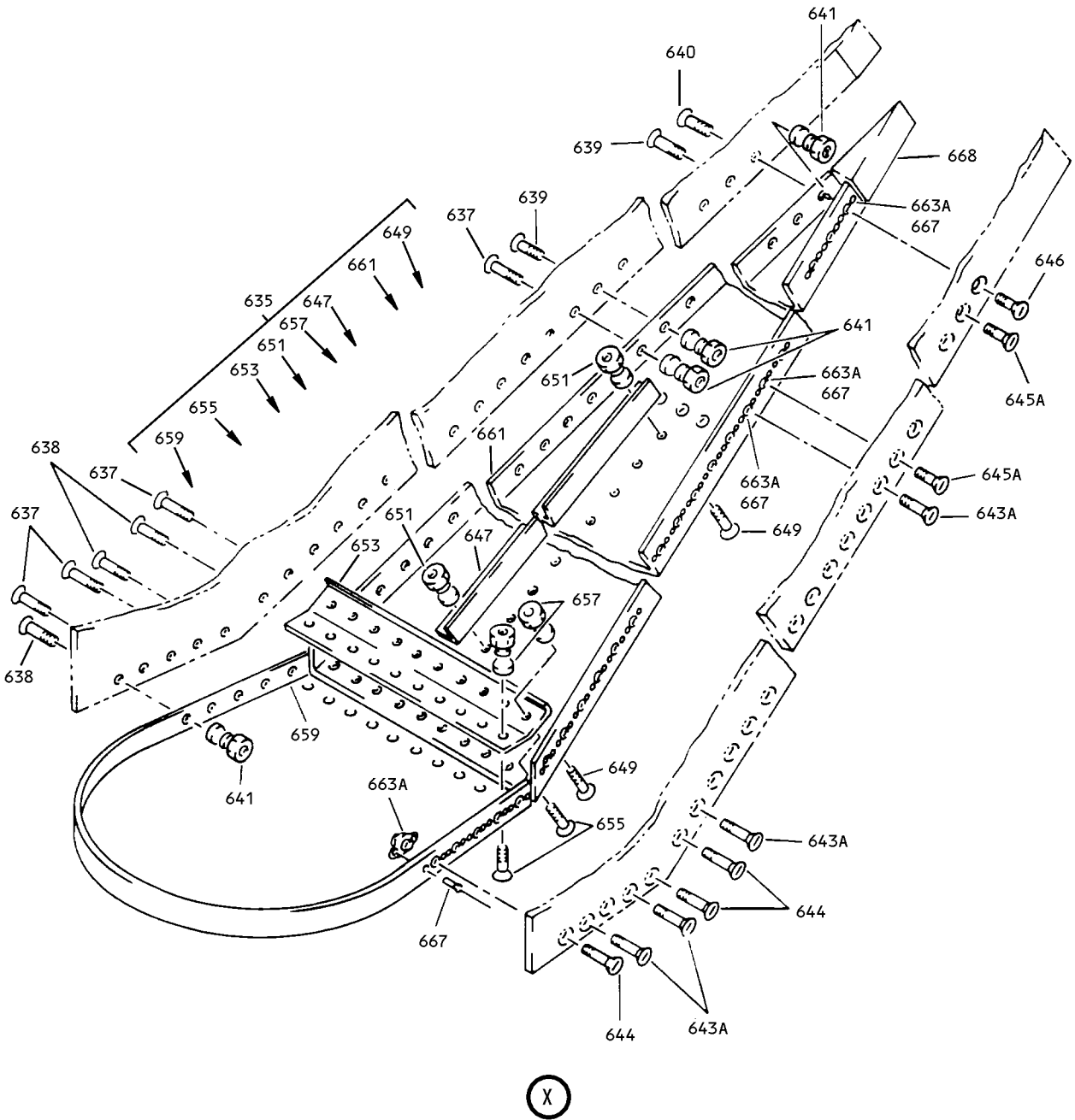
ILLUSTRATED PARTS LIST  
01.1 Page 1056J  
Nov 01/00



Rudder Assembly  
Figure 5 (Sheet 11)

**55-40-13**

ILLUSTRATED PARTS LIST  
01.1 Page 1056K  
Nov 01/00

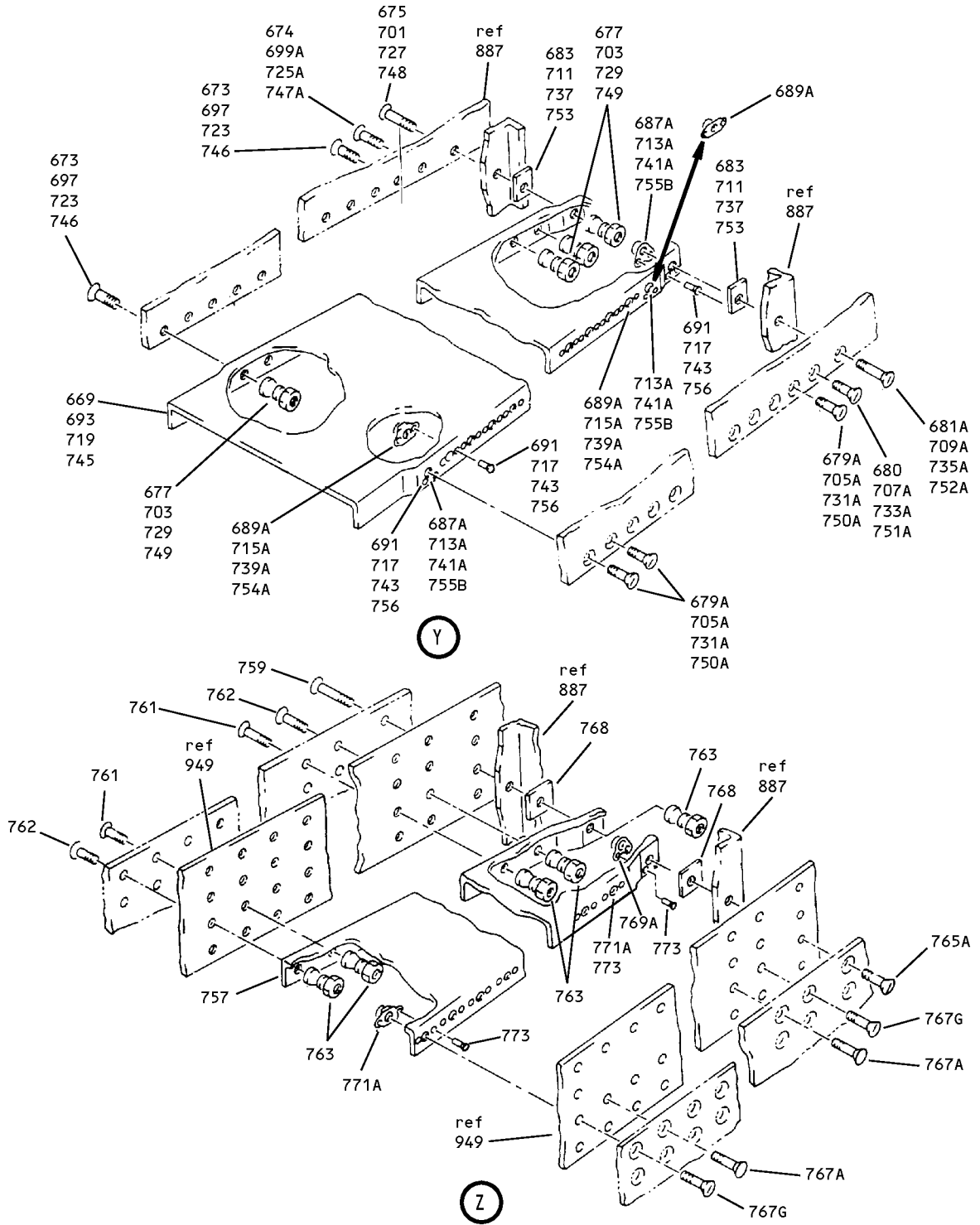


Rudder Assembly  
Figure 5 (Sheet 12)

**55-40-13**

ILLUSTRATED PARTS LIST  
01.1 Page 1056L  
Nov 01/00

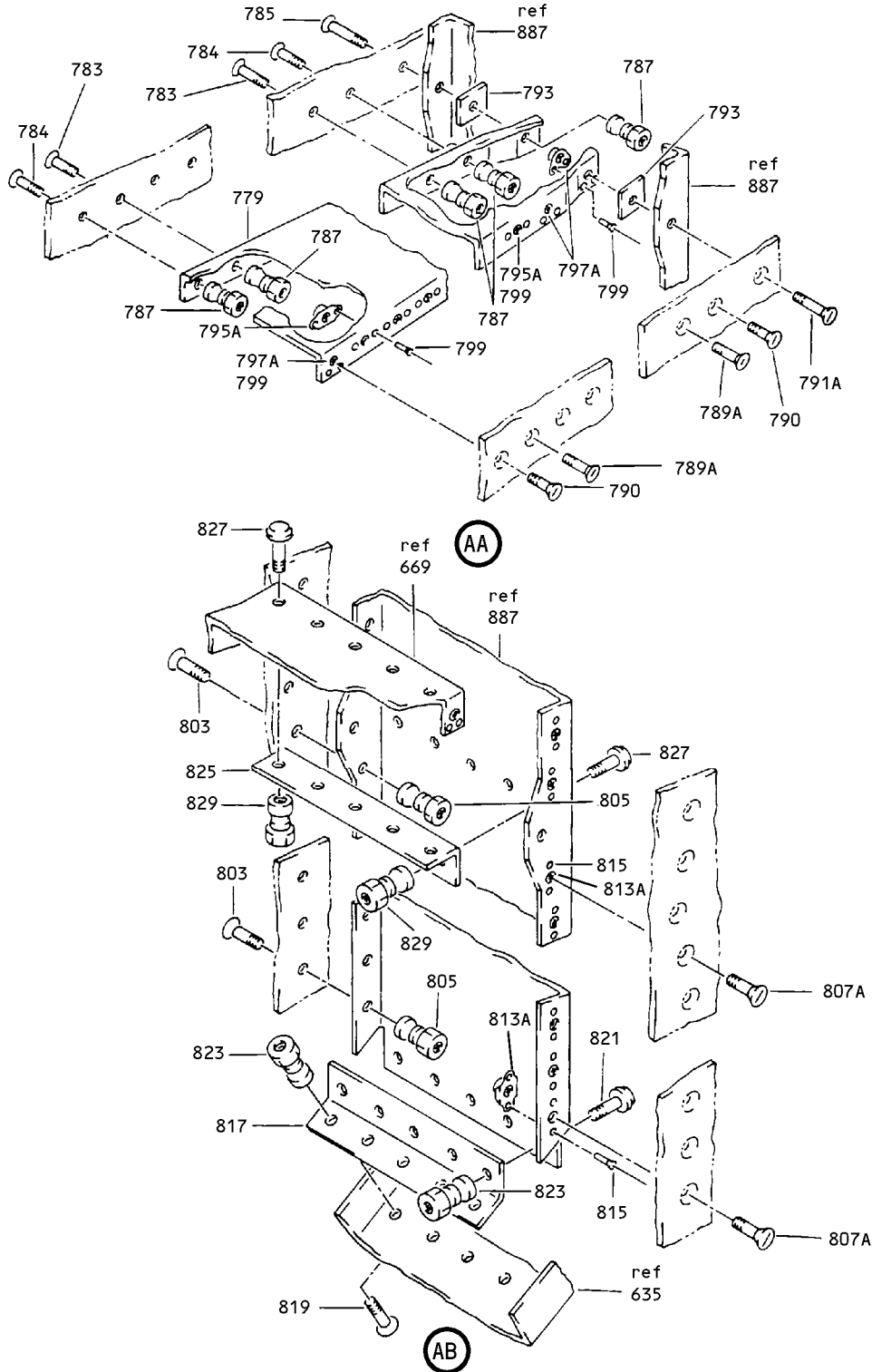
# BOEING COMPONENT MAINTENANCE MANUAL



Rudder Assembly  
Figure 5 (Sheet 13)

## 55-40-13

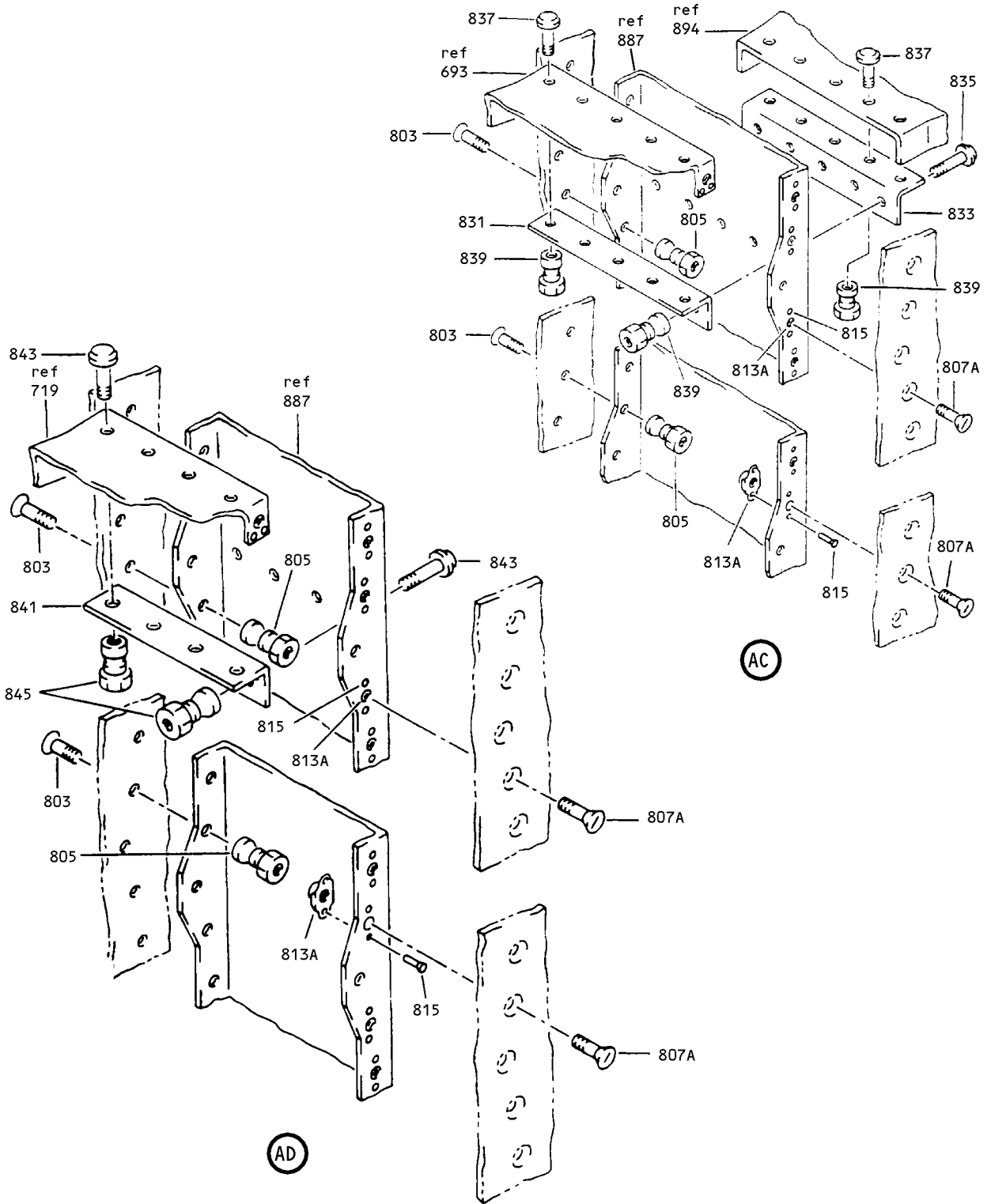
ILLUSTRATED PARTS LIST  
01.1 Page 1056M  
Nov 01/00



Rudder Assembly  
 Figure 5 (Sheet 14)

**55-40-13**

ILLUSTRATED PARTS LIST  
 01.1 Page 1056N  
 Nov 01/00

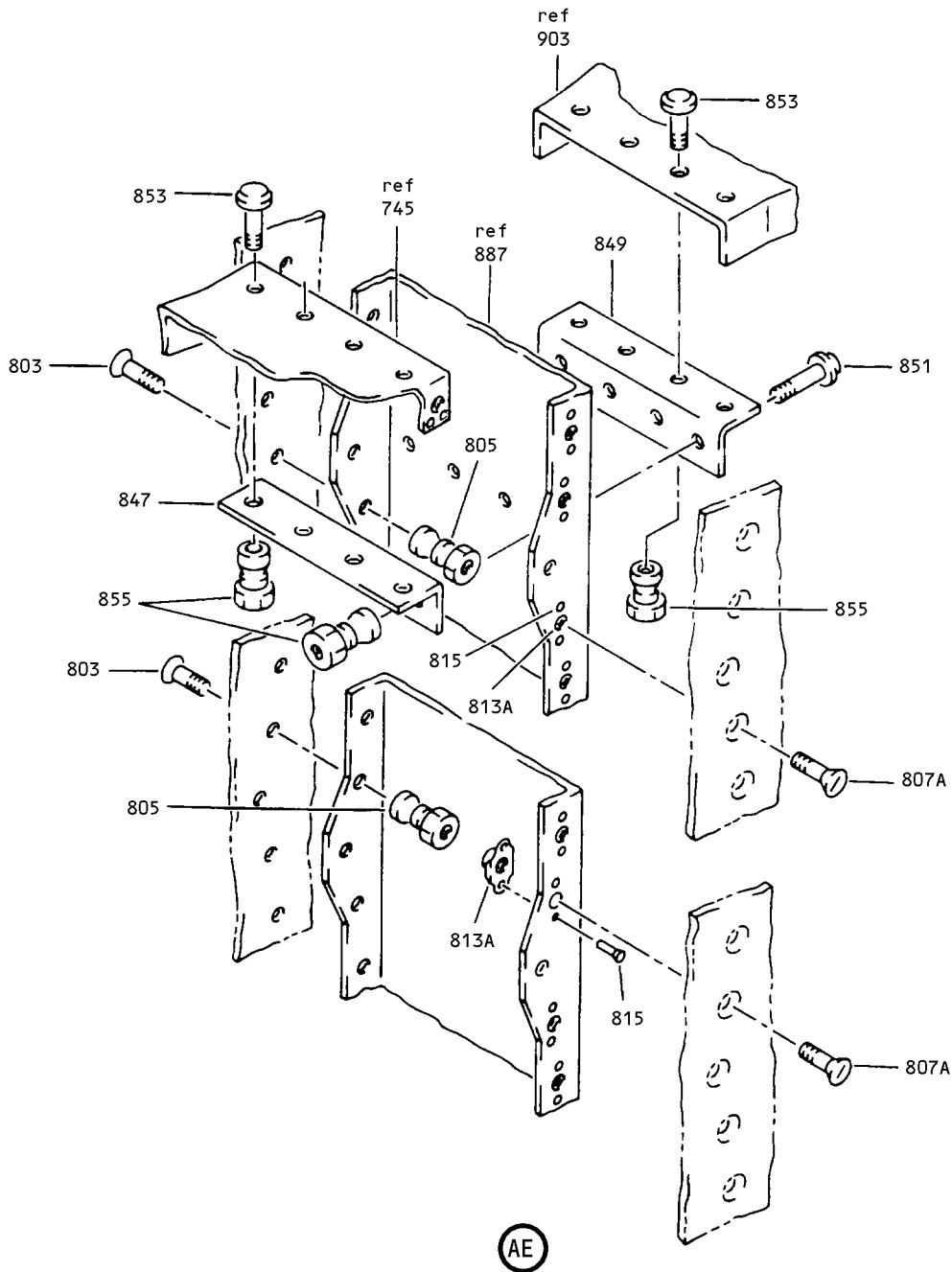


Rudder Assembly  
Figure 5 (Sheet 15)

**55-40-13**

ILLUSTRATED PARTS LIST  
01.1 Page 10560  
Nov 01/00

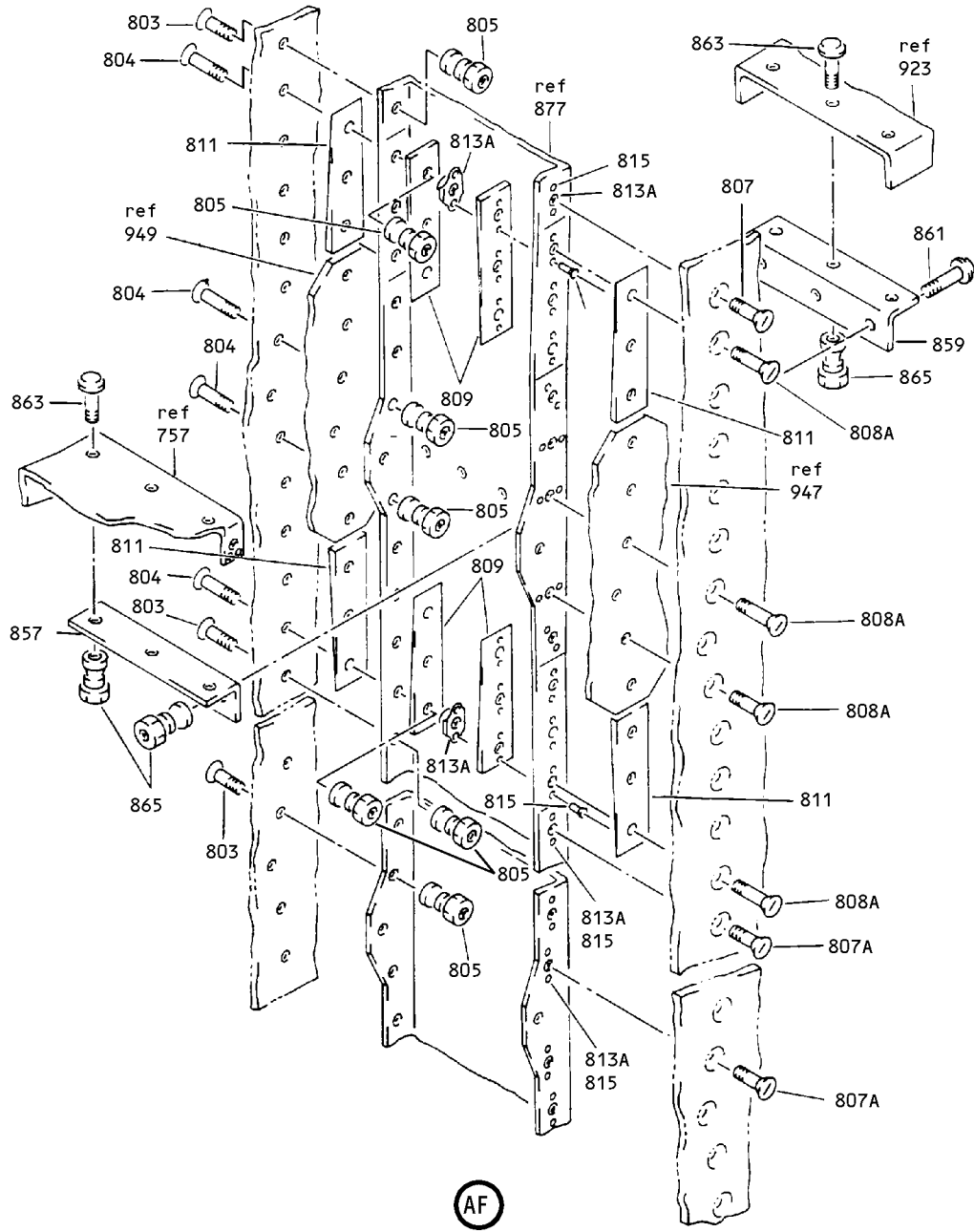




Rudder Assembly  
Figure 5 (Sheet 16)

**55-40-13**

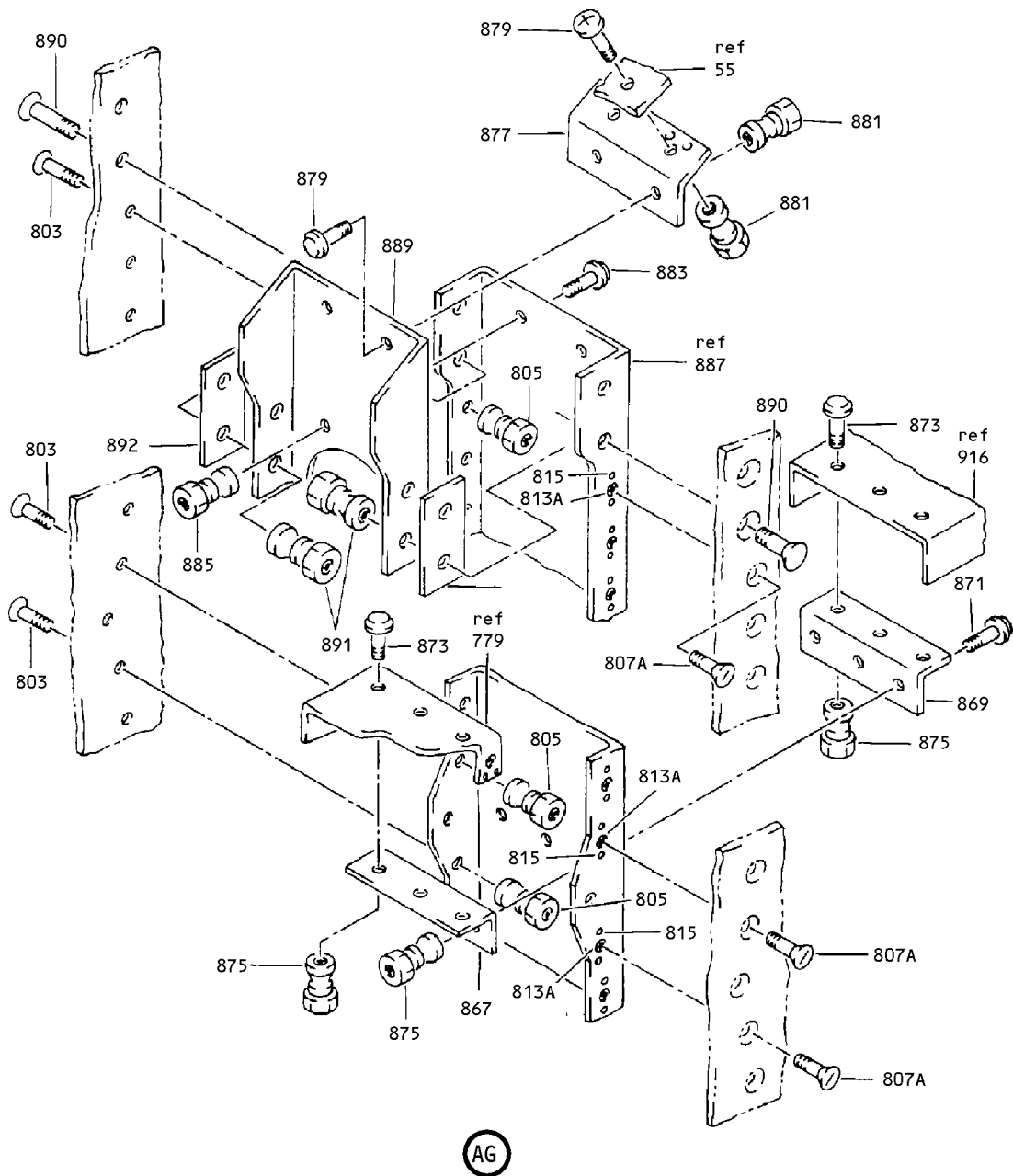
ILLUSTRATED PARTS LIST  
01.1 Page 1056P  
Nov 01/00



Rudder Assembly  
Figure 5 (Sheet 17)

**55-40-13**

ILLUSTRATED PARTS LIST  
01.1 Page 1056Q  
Nov 01/00

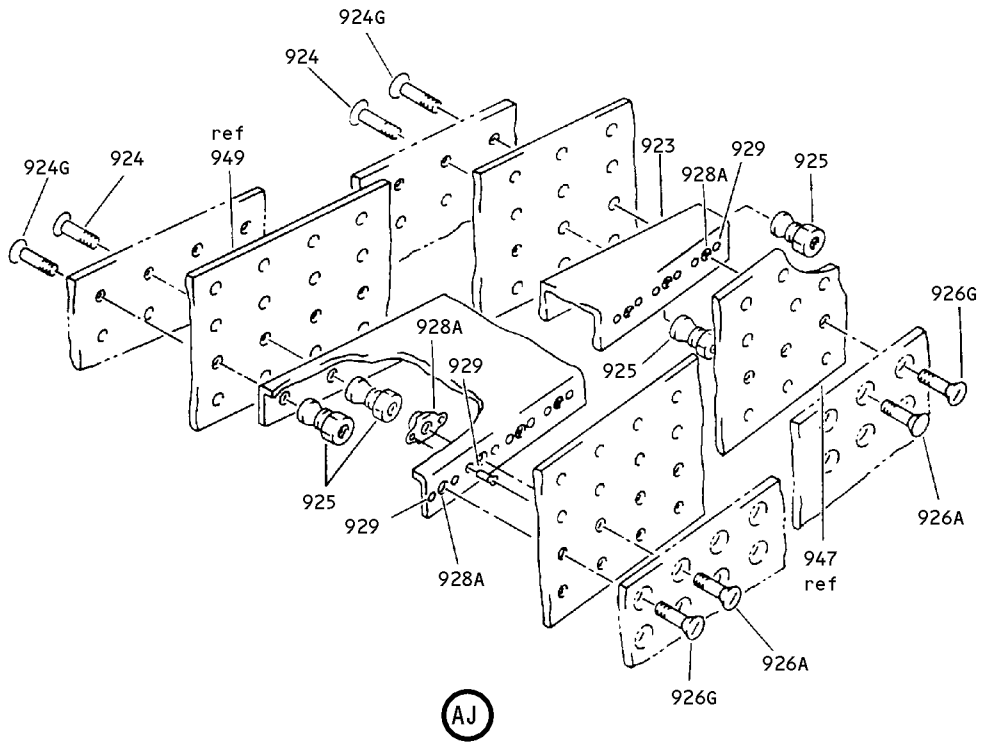
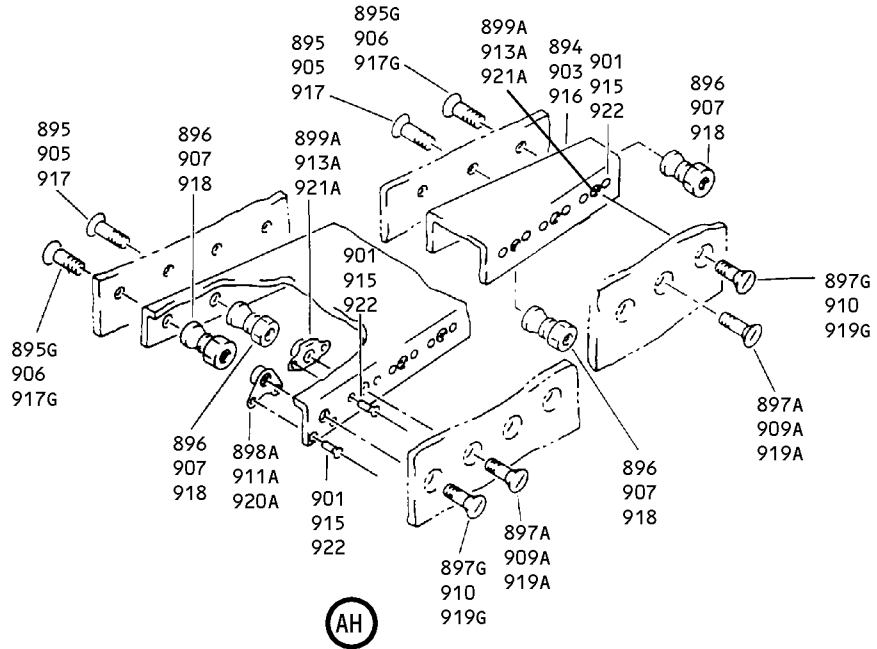


Rudder Assembly  
 Figure 5 (Sheet 18)

**55-40-13**

ILLUSTRATED PARTS LIST  
 01.1 Page 1056R  
 Nov 01/00

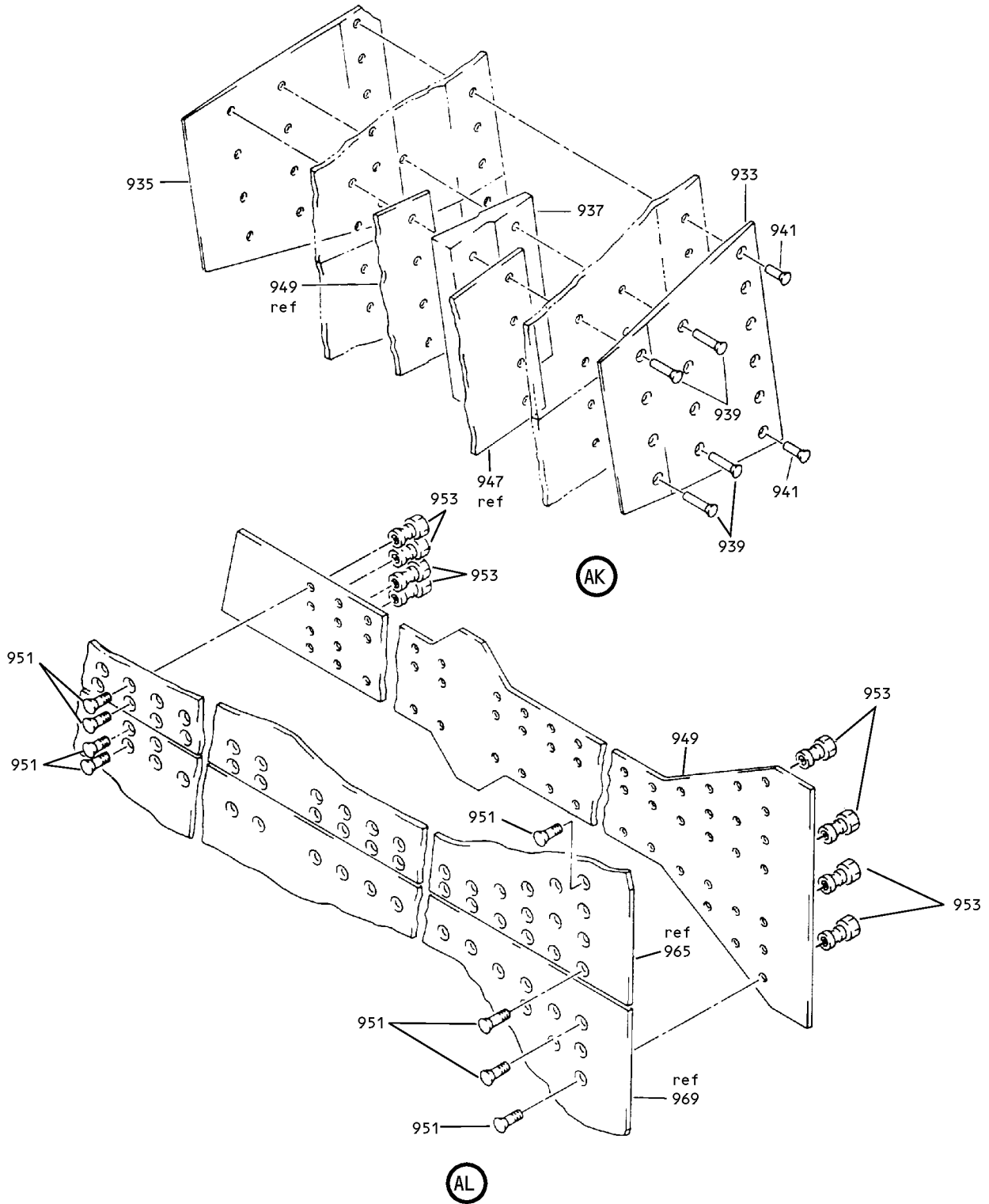
# BOEING COMPONENT MAINTENANCE MANUAL



Rudder Assembly  
Figure 5 (Sheet 19)

## 55-40-13

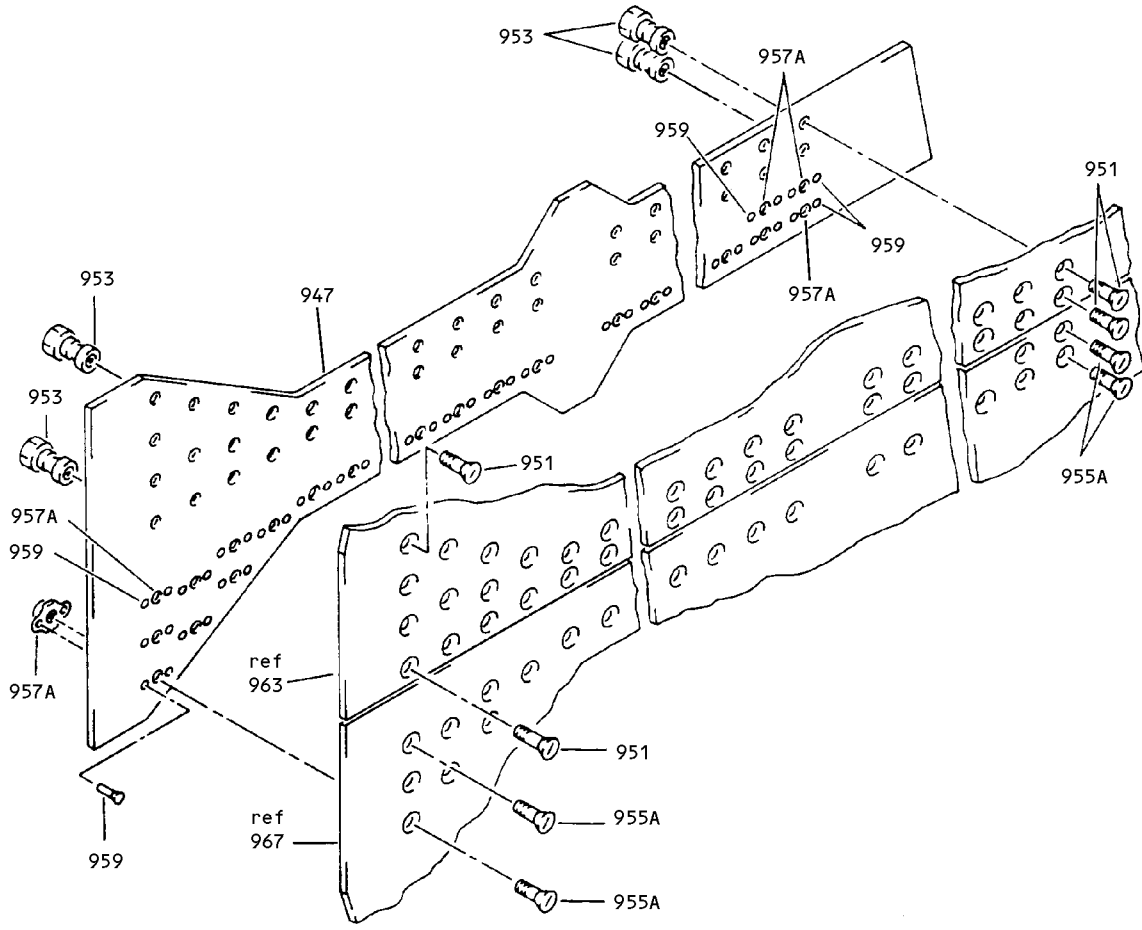
ILLUSTRATED PARTS LIST  
01.1 Page 1056S  
Nov 01/00



Rudder Assembly  
 Figure 5 (Sheet 20)

**55-40-13**

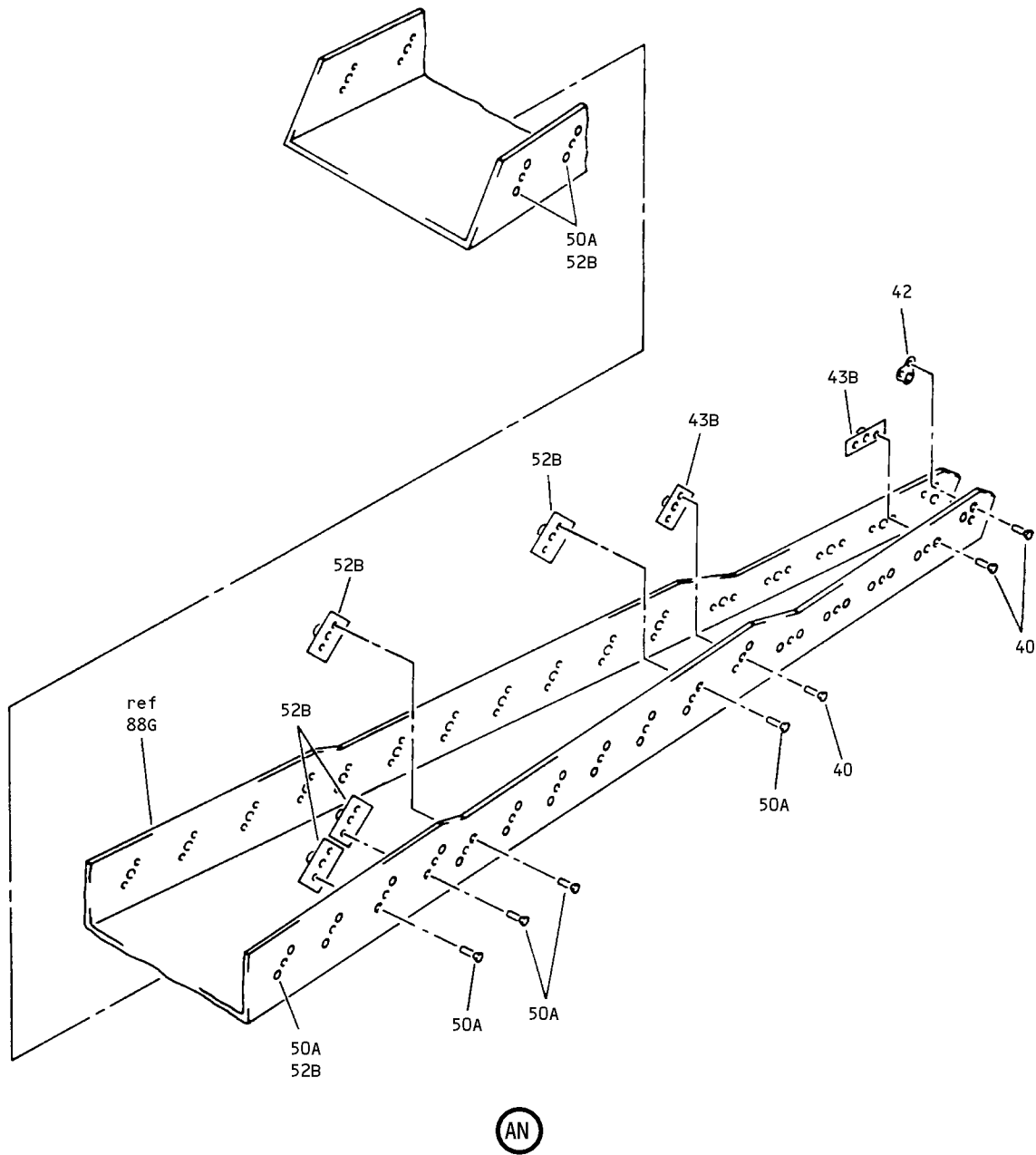
ILLUSTRATED PARTS LIST  
 01.1 Page 1056T  
 Nov 01/00



Rudder Assembly  
Figure 5 (Sheet 21)

**55-40-13**

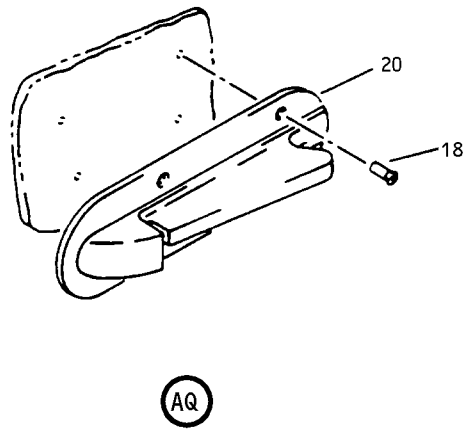
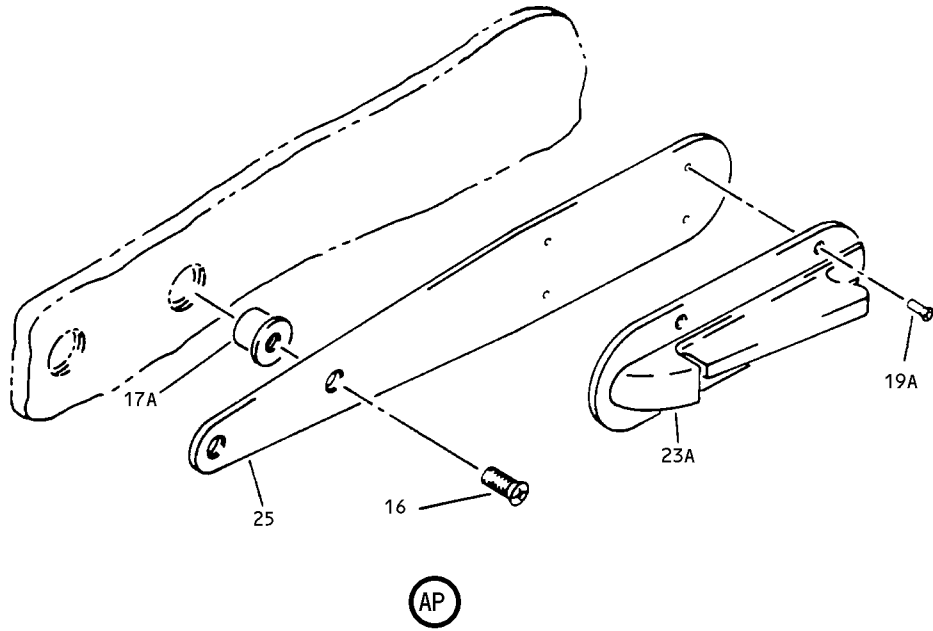
ILLUSTRATED PARTS LIST  
01.1 Page 1056U  
Nov 01/00



Rudder Assembly  
Figure 5 (Sheet 22)

**55-40-13**

ILLUSTRATED PARTS LIST  
01.1 Page 1056V  
Nov 01/00

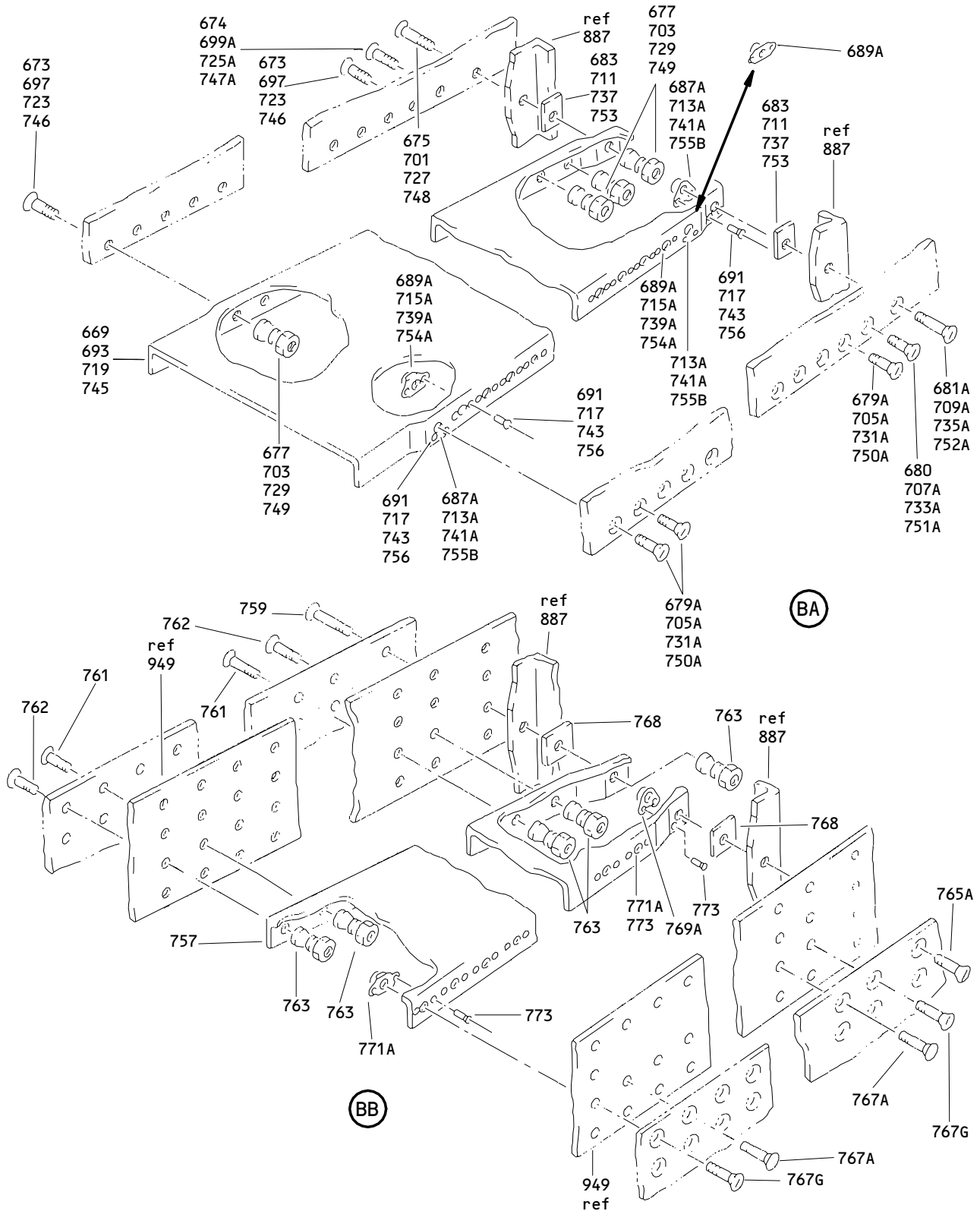


Rudder Assembly  
Figure 5 (Sheet 23)

**55-40-13**

ILLUSTRATED PARTS LIST  
01.1 Page 1056W  
Nov 01/00





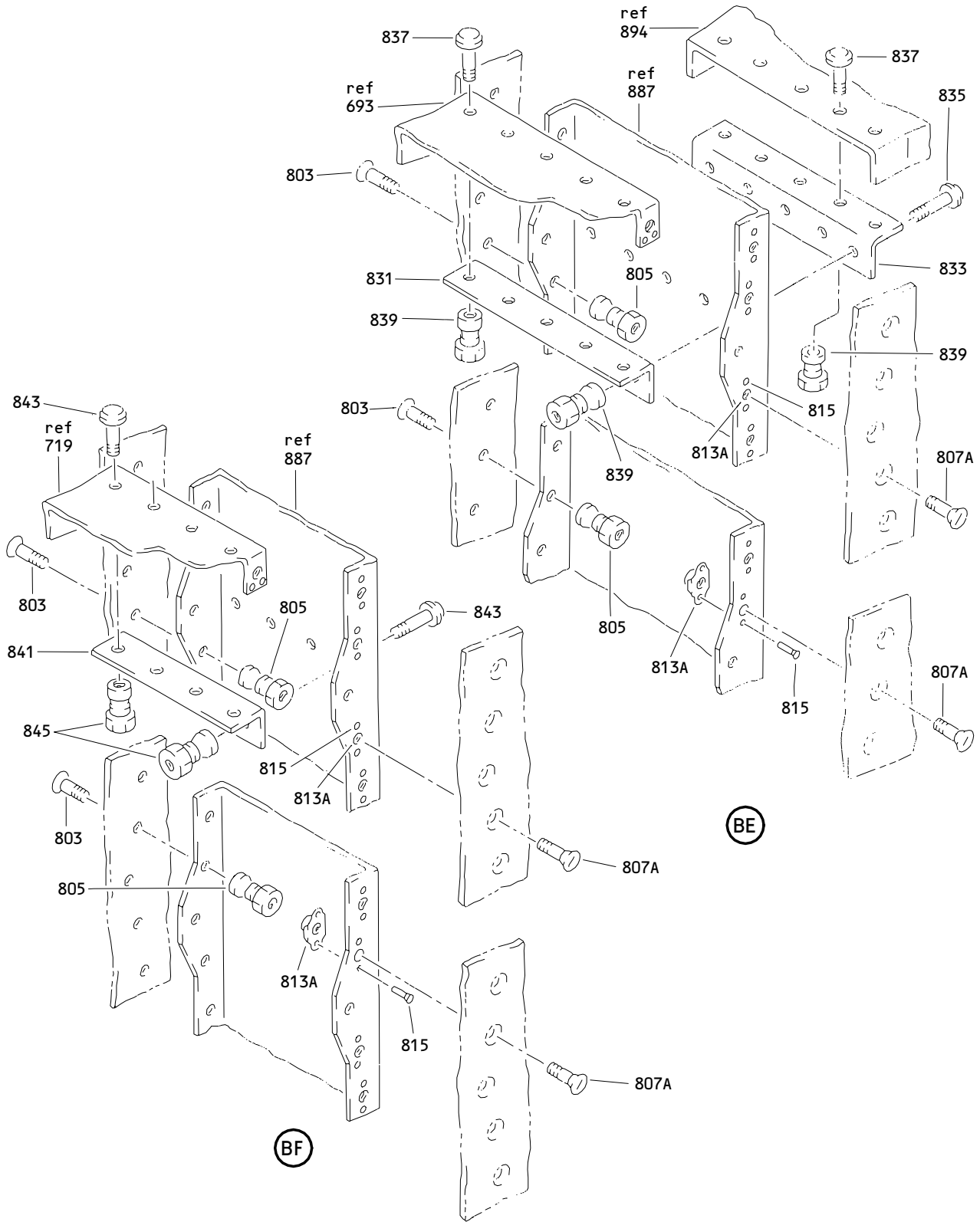
**Rudder Assembly  
 Figure 5 (Sheet 24)**

**55-40-13**

ILLUSTRATED PARTS LIST  
 01.1 Page 1056X  
 Nov 01/00

990826

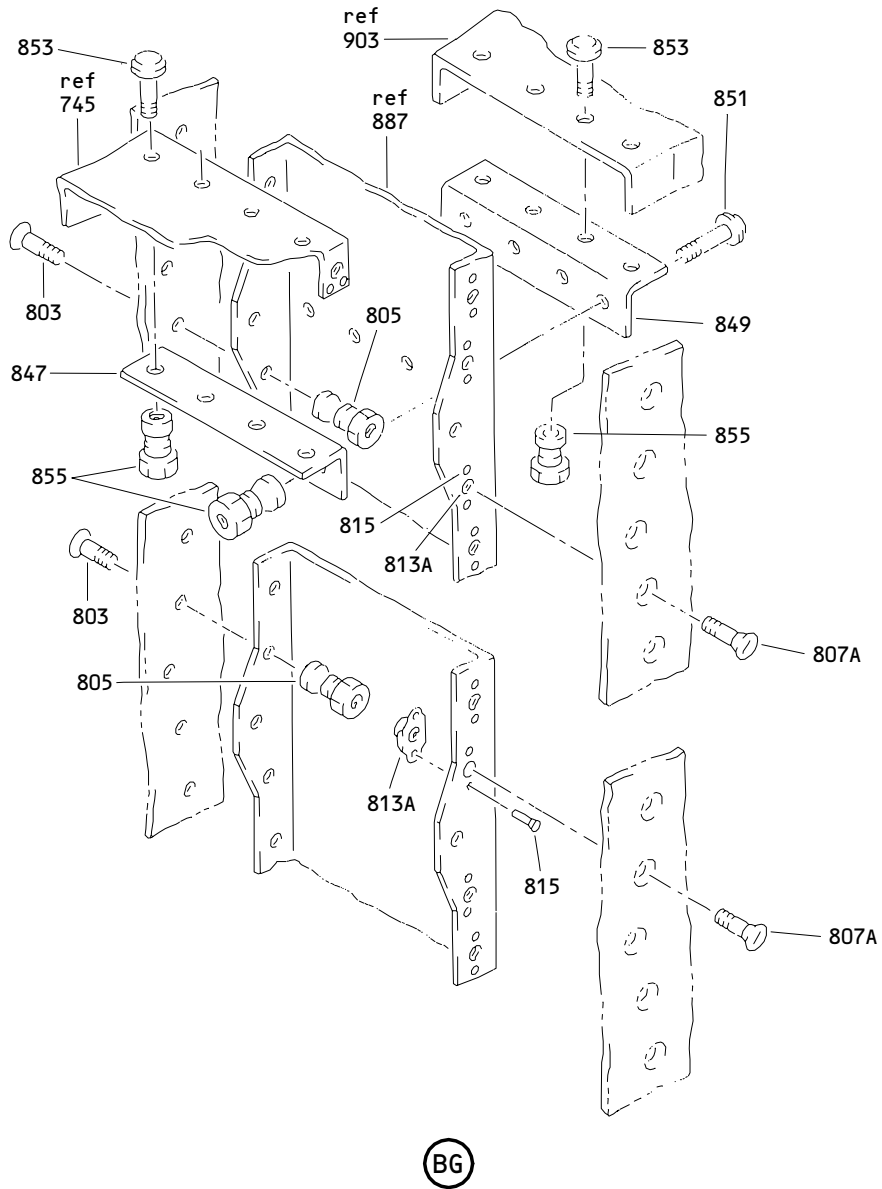




Rudder Assembly  
 Figure 5 (Sheet 26)

**55-40-13**

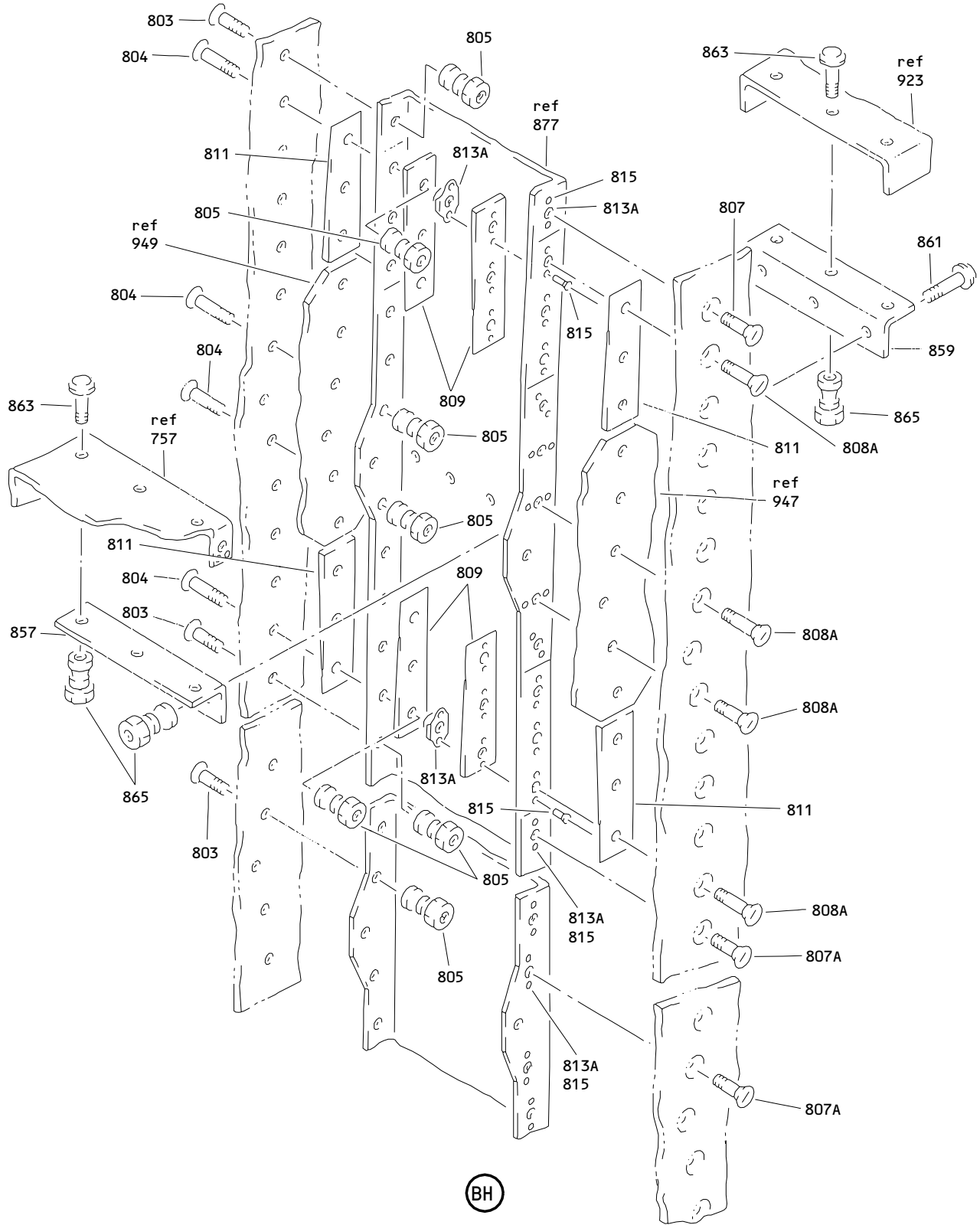
ILLUSTRATED PARTS LIST  
 01.1 Page 1056Z  
 Nov 01/00



Rudder Assembly  
Figure 5 (Sheet 27)

**55-40-13**

ILLUSTRATED PARTS LIST  
01.1 Page 1057  
Nov 01/00

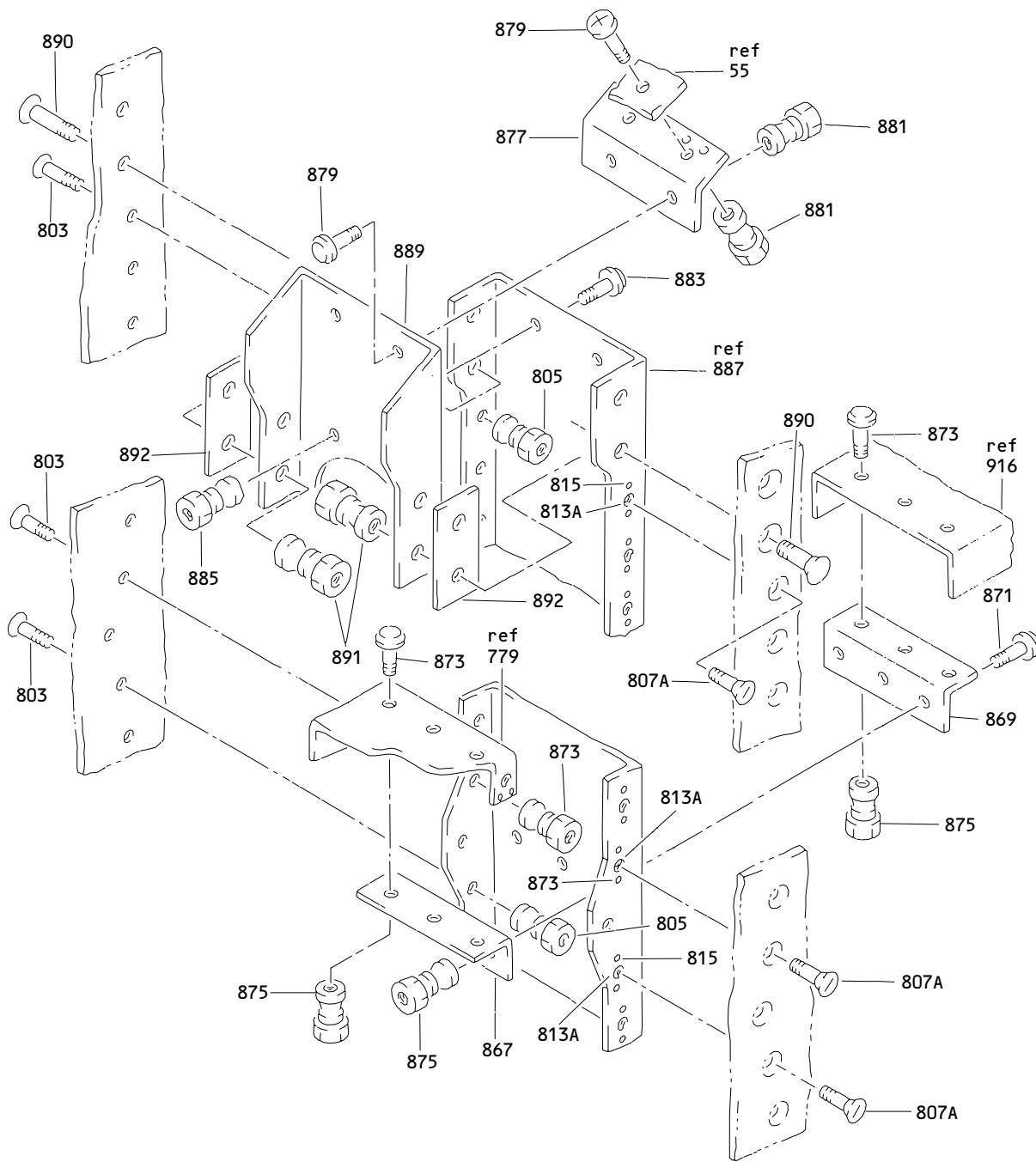


(BH)

Rudder Assembly  
Figure 5 (Sheet 28)

**55-40-13**

ILLUSTRATED PARTS LIST  
01.1 Page 1058  
Nov 01/00



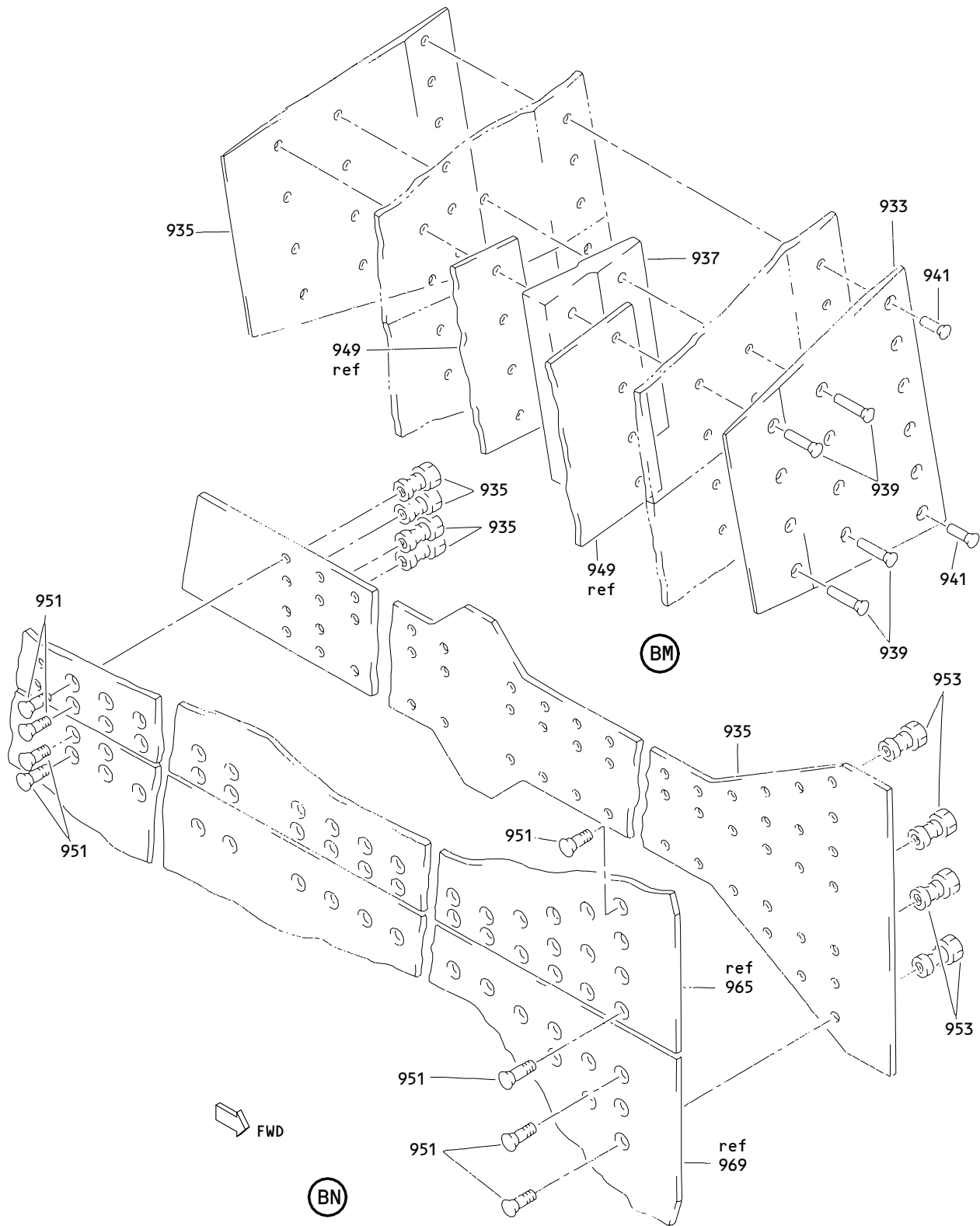
(BJ)

Rudder Assembly  
Figure 5 (Sheet 29)

**55-40-13**

ILLUSTRATED PARTS LIST  
01.1 Page 1058A  
Nov 01/00



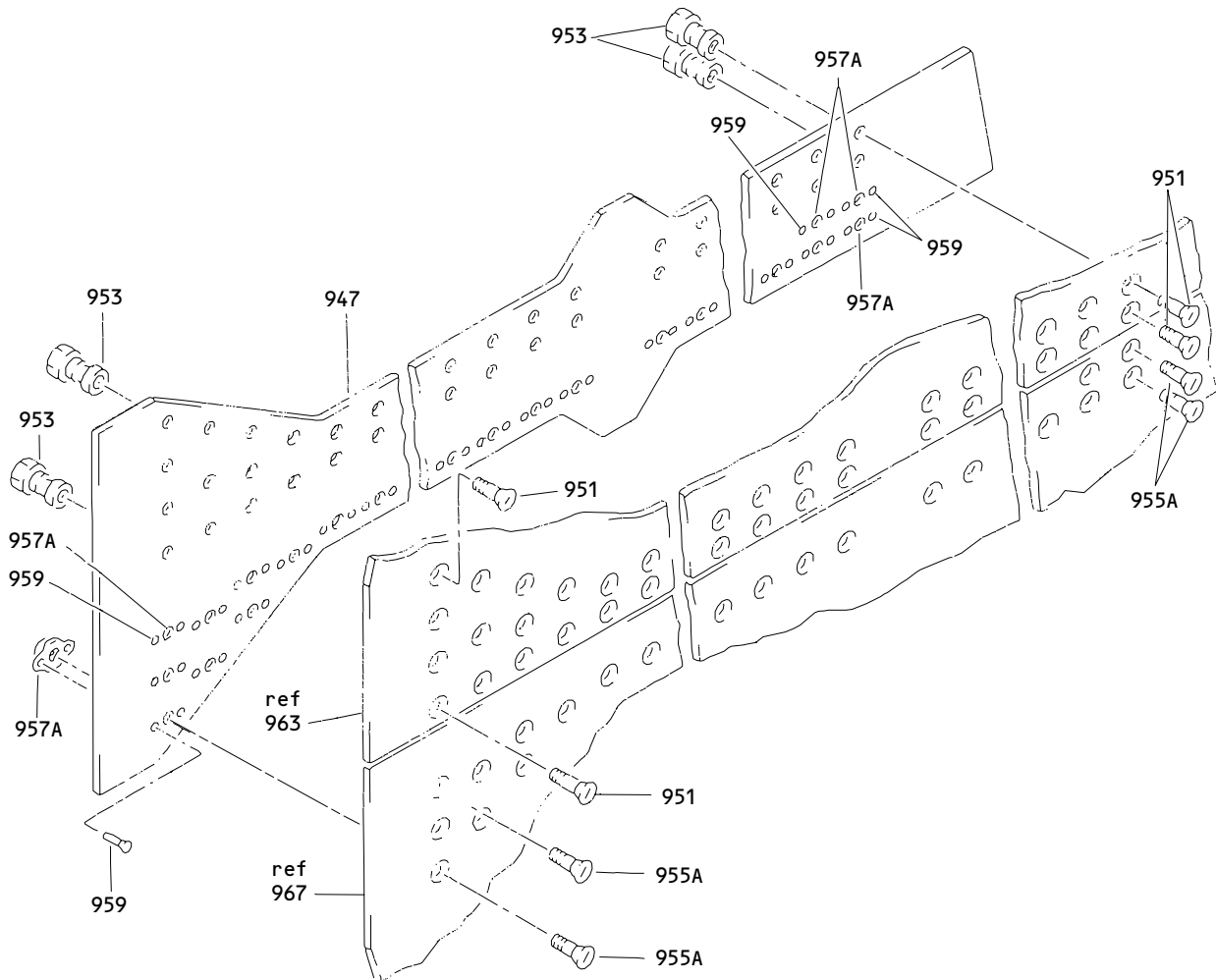


Rudder Assembly  
Figure 5 (Sheet 31)

**55-40-13**

ILLUSTRATED PARTS LIST  
01.1 Page 1058C  
Nov 01/00



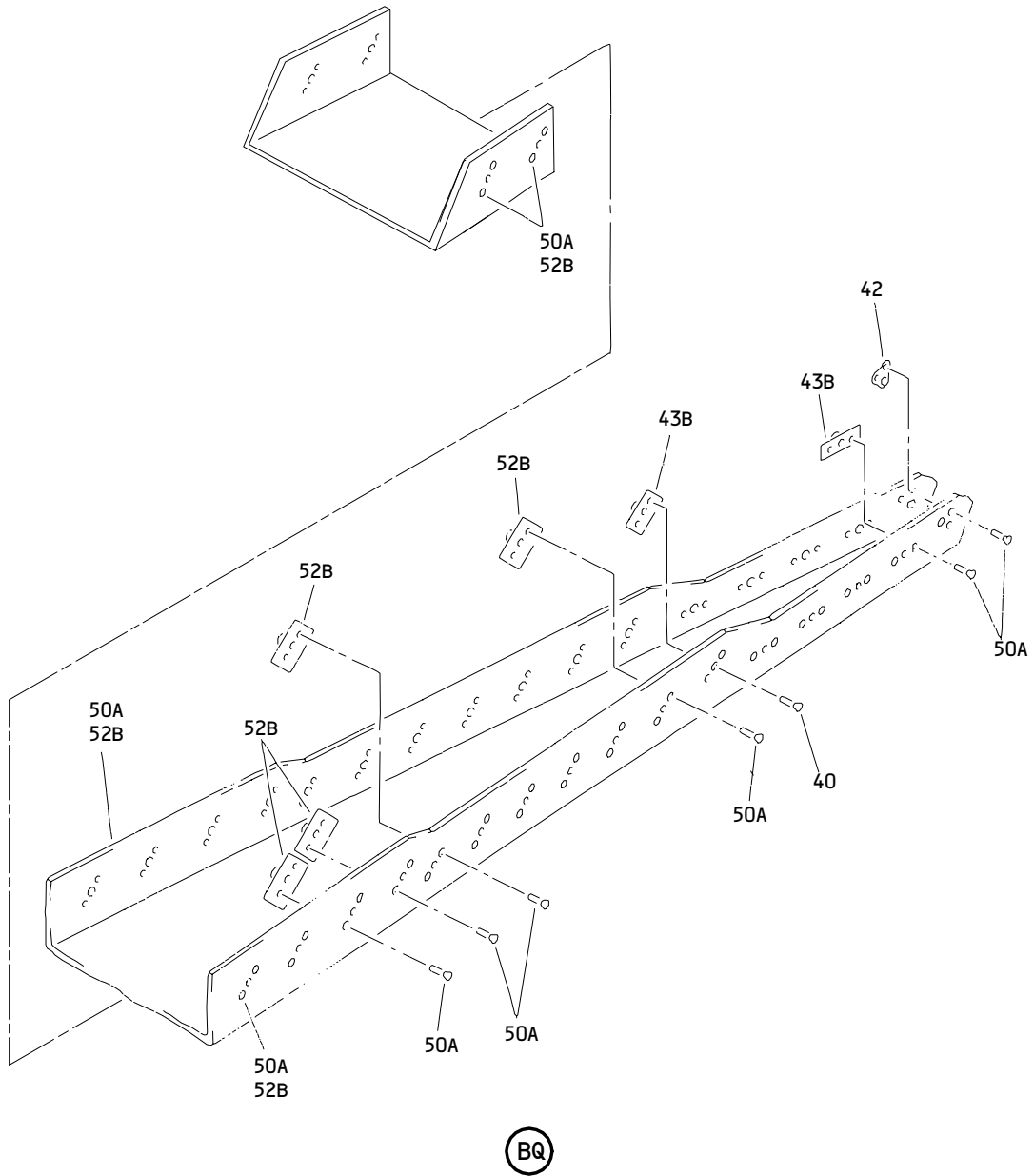


Rudder Assembly  
Figure 5 (Sheet 32)

**55-40-13**

ILLUSTRATED PARTS LIST  
01.1 Page 1058D  
Nov 01/00

990837

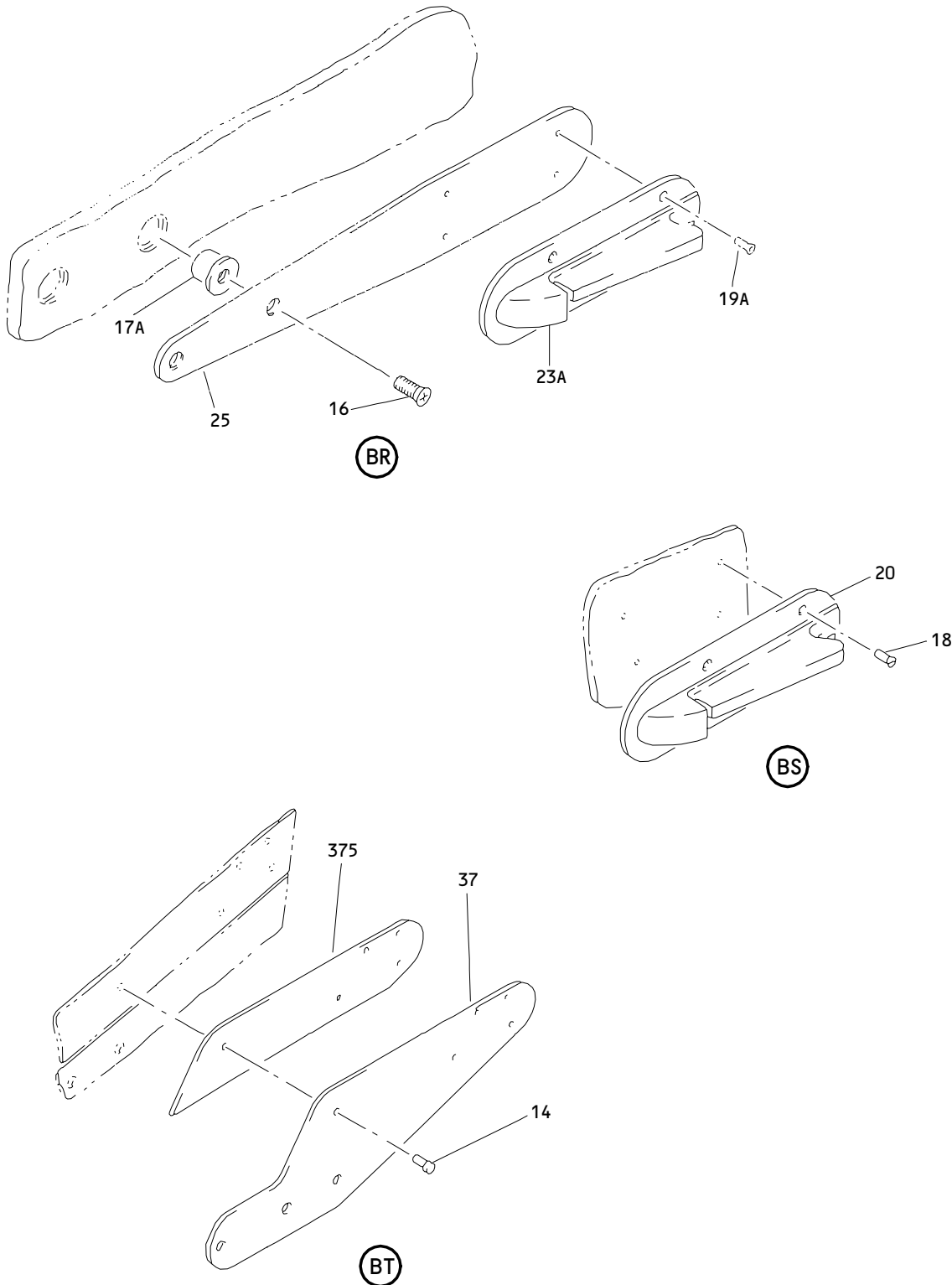


(BQ)

Rudder Assembly  
Figure 5 (Sheet 33)

**55-40-13**

ILLUSTRATED PARTS LIST  
01.1 Page 1058E  
Nov 01/00



Rudder Assembly  
Figure 5 (Sheet 34)

**55-40-13**

ILLUSTRATED PARTS LIST  
01.1 Page 1058F  
Nov 01/00


**BOEING**  
 COMPONENT  
 MAINTENANCE MANUAL

| FIG. & ITEM | PART NO.       | AIRLINE PART NUMBER | NOMENCLATURE<br>1234567   | EFF CODE | QTY PER ASSY |
|-------------|----------------|---------------------|---|----------|--------------|
| 05-         |                |                     |   |          |              |
| -1          | 173T2001-13    |                     | DELETED   |          |              |
| -1A         | 173T2001-23    |                     | RUDDER ASSY-<br>(POST SB 767-51-0010)   | C        | RF           |
| R -3        | 173T2001-5006  |                     | ..RUDDER ASSY-<br>(LIMITED)   | C        | 1            |
| R -3A       | 173T2001-5007  |                     | ..RUDDER ASSY-<br>(LIMITED)   | C        | 1            |
| R -3B       | 173T2001-5010  |                     | ..RUDDER ASSY-<br>(LIMITED)   | C        | 1            |
| R -4        | 173T2002-6     |                     | ..TIP INSTL-<br>(FOR DETAILS SEE FIG. 4)  | C        | 1            |
| R 14        | BACR15CE6AD    |                     | ..RIVET-<br>(SIZE DETERMINE ON INST)  | C        | 2            |
| R 16        | BACS12ER06K4   |                     | ..SCREW   | C        | 8            |
| R 17A       | NAS1836C06-08M |                     | ..INSERT  | C        | 8            |
| R 18        | BACR15CE5AD    |                     | ..RIVET-<br>(SIZE DETERMINE ON INST)  | C        | 12           |
| R 19A       | BACR15GA5-4    |                     | ..RIVET   | C        | 8            |
| R 20        | 173T2001-3     |                     | ..RETAINER  | C        | 1            |
| R 21A       | 173T2001-6     |                     | ..RETAINER  | C        | 1            |
| R 22        | 173T2001-2     |                     | ..RETAINER  | C        | 1            |
| R 23A       | 173T2001-7     |                     | ..RETAINER  | C        | 2            |
| R 24        | 173T2057-1     |                     | ..PLATE-MTG   | C        | 1            |
| R 25        | 173T2057-2     |                     | ..PLATE-MTG   | C        | 2            |
| R 26G       | 173T2048-5     |                     | ..FITTING ASSY-TIP<br>ATTACHING PARTS   | C        | 1            |
| R 27A       | BACB30NU3K4    |                     | ..BOLT  | C        | 3            |
| R 27G       | BACB30LL3-4    |                     | ..BOLT  | C        | 2            |
| R 28        | BACB30NU3K3    |                     | ..BOLT  | C        | 1            |
| R 28G       | BACW10DM6P     |                     | ..WASHER<br>-----*  | C        | 2            |
| R 31A       | AF5141-3-2     |                     | ...RIVET-<br>(V53551)<br>(SPEC BACR15DR3A2)<br>(OPT RV541A3-2<br>(V98996))<br>(OPT CCR264CS3-2TT<br>(V11815)) | C        | 12           |

55-40-13

 ILLUSTRATED PARTS LIST  
 01.1 Page 1058G  
 Nov 01/00

| FIG. & ITEM | PART NO.      | AIRLINE PART NUMBER | NOMENCLATURE<br>1234567   | EFF CODE | QTY PER ASSY |
|-------------|---------------|---------------------|---|----------|--------------|
| R 05-32A    | BRF200C3D     |                     | ...NUTPLATE-<br>(V52828)<br>(SPEC BACN10JR3CFD)<br>(OPT K51602-3BAC<br>(V15653))<br>(OPT NS202476-02<br>(V80539))<br>(OPT 102F9201-3<br>(V72962))<br>(OPT T8092C1032CD<br>(V11815)) | C        | 2            |
| R 34        | NS202495-02   |                     | ...NUTPLATE-<br>(V80539)<br>(SPEC BACN10KE3DCD)<br>(OPT F51753-3CD<br>(V15653))   | C        | 4            |
| R 35A       | BACR15BA3AD3  |                     | ...RIVET  | C        | 20           |
| R 35G       | NS202493-02-3 |                     | ...NUTPLATE-<br>(V80539)<br>(SPEC BACN10KE3B3CD)<br>(OPT 102A9213-3-3<br>(V72962))<br>(OPT F51747-3-3CD<br>(V15653))<br>(OPT BRFR220C3-3D<br>(V52828))                              | C        | 10           |
| R 36G       | 173T2048-3    |                     | ...FITTING  | C        | 1            |
| 37          | 173T2001-15   |                     | DELETED   |          |              |
| R 37A       | 173T2001-21   |                     | ..SHIM  | C        | 1            |
| R 37C       | 173T2001-22   |                     | ..SHIM  | C        | 1            |
| 37J         | 173T2001-14   |                     | DELETED   |          |              |
| R 37K       | 173T2001-19   |                     | ..PLATE   | C        | 1            |
| R 37M       | 173T2001-20   |                     | ..PLATE   | C        | 1            |
| R -38       | 173T2001-16   |                     | ..RUDDER ASSY   | C        | 1            |
| R 40        | AF5141-3-2    |                     | ...RIVET-<br>(V53551)<br>(SPEC BACR15DR3A2)<br>(OPT RV541A3-2<br>(V98996))<br>(OPT CCR264CS3-2TT<br>(V11815))   | C        | 24           |

# 55-40-13

ILLUSTRATED PARTS LIST

01.1 Page 1058H

Nov 01/00


**BOEING**  
 COMPONENT  
 MAINTENANCE MANUAL

| FIG. & ITEM | PART NO.       | AIRLINE PART NUMBER | NOMENCLATURE<br>1234567  | EFF CODE | QTY PER ASSY |
|-------------|----------------|---------------------|--|----------|--------------|
| R 05-42     | NS202495-02    |                     | ...NUTPLATE-<br>(V80539)<br>(SPEC BACN10KE3DCD)<br>(OPT F51753-3CD<br>(V15653))  | C        | 2            |
| R 43B       | BRF200C3D      |                     | ...NUTPLATE-<br>(V52828)<br>(SPEC BACN10JR3CFD)<br>(OPT K51602-3BAC<br>(V15653))<br>(OPT NS202476-02<br>(V80539))<br>(OPT 102F9201-3<br>(V72962))<br>(OPT T8092C1032CD<br>(V11815))                        | C        | 10           |
| R 50A       | AF5141-3-2     |                     | ...RIVET-<br>(V53551)<br>(SPEC BACR15DR3A2)<br>(OPT RV541A3-2<br>(V98996))<br>(OPT CCR264CS3-2TT<br>(V11815))  | C        | 48           |
| R 52B       | NS202493-048-4 |                     | ...NUTPLATE-<br>(V80539)<br>(SPEC BACN10KE4B4CD)<br>(OPT 102A9219-4-4<br>(V72962))<br>(OPT F51747-4-4CD<br>(V15653))<br>(OPT 102A9213-4-4<br>(V72962))<br>(OPT BRFR220C4-4D<br>(V52825))<br>(OPT ITEM 52C) | C        | 24           |
| R -52C      | F51747-4-4DL   |                     | ...NUTPLATE-<br>(V15653)<br>(SPEC BACN10KE4B4CM)<br>(OPT 104F9213-4-4<br>(V72962))<br>(OPT NS103191SE048-4<br>(V80539))<br>(OPT BRFR220C4-4M<br>(V52825))<br>(OPT ITEM 52B)                                | C        | 24           |

55-40-13

 ILLUSTRATED PARTS LIST  
 01.1 Page 1058I  
 Nov 01/00

| FIG. & ITEM | PART NO.    | AIRLINE PART NUMBER | NOMENCLATURE<br>1234567  | EFF CODE | QTY PER ASSY |
|-------------|-------------|---------------------|--|----------|--------------|
| R 05-       |             |                     |  |          |              |
| R -60A      | 173T2033-2  |                     | ...RIB INSTL-UPR CLOSURE   | C        | 1            |
| R 62        | BACB30NT3K3 |                     | ....BOLT   | C        | 2            |
| R 65G       | BACB30NT3K3 |                     | ....BOLT   | C        | 4            |
| R 68G       | BACB30NT4K4 |                     | ....BOLT   | C        | 6            |
| R 69G       | AF5141-3-1  |                     | ....RIVET-<br>(V53551)<br>(SPEC BACR15DR3A1)<br>(OPT RV541A3-1<br>(V98996))<br>(OPT CCR264CS3-1TT<br>(V11815)) | C        | 8            |
| R 69N       | AF5141-3-2  |                     | ....RIVET-<br>(V53551)<br>(SPEC BACR15DR3A2)<br>(OPT RV541A3-2<br>(V98996))<br>(OPT CCR264CS3-2TT<br>(V11815)) | C        | 4            |
| R 70G       | NS202495-02 |                     | ....NUTPLATE-<br>(V80539)<br>(SPEC BACN10KE3DCD)<br>(OPT F51753-3CD<br>(V15653))                               | C        | 6            |
| R 71A       | AF5141-3-2  |                     | ....RIVET-<br>(V53551)<br>(SPEC BACR15DR3A2)<br>(OPT RV541A3-2<br>(V98996))<br>(OPT CCR264CS3-2TT<br>(V11815)) | C        | 12           |

55-40-13

 ILLUSTRATED PARTS LIST  
 01.1 Page 1058J  
 Nov 01/00


**BOEING**  
 COMPONENT  
 MAINTENANCE MANUAL

| FIG. & ITEM | PART NO.   | AIRLINE PART NUMBER | NOMENCLATURE<br>1234567   | EFF CODE | QTY PER ASSY |
|-------------|------------|---------------------|---|----------|--------------|
| R 05-72A    | BRF200C4D  |                     | ....NUTPLATE-<br>(V52828)<br>(SPEC BACN10JR4CFD)<br>(OPT K51602-4BAC<br>(V15653))<br>(OPT NS202476-048<br>(V80539))<br>(OPT 102F9201-4<br>(V72962))<br>(OPT T8092C428CD<br>(V11815))  | C        | 6            |
| R 88G       | 173T2055-8 |                     | ....BOND ASSY   | C        | 1            |
| R 90        | 173T2055-5 |                     | ....PLATE-SKIN SPLICE   | C        | 1            |
| R 92        | 173T2055-6 |                     | ....PLATE-SKIN SPLICE<br>ATTACHING PARTS  | C        | 1            |
| R 94A       | HL11VAZ6-4 |                     | ....BOLT-<br>(V56878)<br>(SPEC BACB30NW6K4)<br>(OPT HL11V6-4<br>(V92215))<br>(OPT HL11V6-4<br>(V97928))<br>(OPT L803-6-4<br>(V06725))<br>(OPT B30NW6K4<br>(V97928))<br>(OPT HL11VAZ6-4<br>(V73197))<br>(OPT HL11VAZ6-4<br>(V92215))<br>(OPT HL11VAZ6-4<br>(V97928)) | C        | 14           |

55-40-13

 ILLUSTRATED PARTS LIST  
 01.1 Page 1058K  
 Nov 01/00



| FIG. & ITEM | PART NO.   | AIRLINE PART NUMBER | NOMENCLATURE<br>1234567   | EFF CODE | QTY PER ASSY |
|-------------|------------|---------------------|---|----------|--------------|
| R 05-96     | HL11VAZ8-4 |                     | ....BOLT-<br>(V56878)<br>(SPEC BACB30NW8K4)<br>(OPT B30NW8K4<br>(V97928))<br>(OPT HL11VAZ8-4<br>(V73197))<br>(OPT HL11VAZ8-4<br>(V92215))<br>(OPT HL11VAZ8-4<br>(V97928))<br>(OPT L803-8K4<br>(V06725))<br>(OPT HL11VAZ8-4<br>(VOPTK6))<br>(OPT HL11VAZ8-4<br>(V60516)) | C        | 26           |
| R 98        | HL11VAZ8-5 |                     | ....BOLT-<br>(V56878)<br>(SPEC BACB30NW8K5)<br>(OPT B30NW8K5<br>(V97928))<br>(OPT HL11VAZ8-5<br>(V73197))<br>(OPT HL11VAZ8-5<br>(V92215))<br>(OPT HL11VAZ8-5<br>(V97928))<br>(OPT L803-8K5<br>(V06725))<br>(OPT HL11VAZ8-5<br>(VOPTK6))<br>(OPT HL11VAZ8-5<br>(V60516)) | C        | 4            |

# 55-40-13

ILLUSTRATED PARTS LIST

01.1 Page 1058L

Nov 01/00


**BOEING**  
 COMPONENT  
 MAINTENANCE MANUAL

| FIG. & ITEM | PART NO.   | AIRLINE PART NUMBER | NOMENCLATURE<br>1234567  | EFF CODE | QTY PER ASSY |
|-------------|------------|---------------------|--|----------|--------------|
| R 05-100    | HL11VAZ8-7 |                     | ....BOLT-<br>(V56878)<br>(SPEC BACB30NW8K7)<br>(OPT B30NW8K7<br>(V97928))<br>(OPT HL11VAZ8-7<br>(V73197))<br>(OPT HL11VAZ8-7<br>(V92215))<br>(OPT HL11VAZ8-7<br>(V97928))<br>(OPT L803-8K7<br>(V06725))<br>(OPT HL11VAZ8-7<br>(V0PTK6))<br>(OPT HL11VAZ8-7<br>(V60516))  | C        | 4            |
| R 100G      | HL441UC8-4 |                     | ....BOLT-<br>(V56878)<br>(SPEC BACB30FN8A4)<br>(OPT HL441UC8-4<br>(V73197))<br>(OPT HL441UC8-4<br>(V92215))<br>(OPT HL441UC8-4<br>(V97928))<br>(OPT HL41PY8-4<br>(V80539))<br>(OPT HL441N8-4<br>(V80539))<br>(OPT HL441UC8-4<br>(V80539))<br>(OPT WC1318-4<br>(V60516))<br>(OPT 67068-8A4<br>(V56878))<br>(OPT HL441UC8-4<br>(V08524))<br>(OPT L839-8A4<br>(V06725)) | C        | 2            |

55-40-13

 ILLUSTRATED PARTS LIST  
 01.1 Page 1058M  
 Nov 01/00

| FIG. & ITEM | PART NO.    | AIRLINE PART NUMBER | NOMENCLATURE<br>1234567   | EFF CODE | QTY PER ASSY |
|-------------|-------------|---------------------|---|----------|--------------|
| R 05-101G   | BACW10DM8P  |                     | ....WASHER  | C        | 2            |
| R 102       | HL97DU6     |                     | ....COLLAR-<br>(V73197)<br>(SPEC BACC30AB6S)<br>(OPT HL97DU6<br>(V92215))<br>(OPT HL97DU6<br>(V56878))<br>(OPT ITEM 102A)   | C        | 14           |
| R -102A     | KFN305C3    |                     | ....NUT-<br>(V15653)<br>(OPT ITEM 102)  | C        | 14           |
| R 104       | HL97DU8     |                     | ....COLLAR-<br>(V73197)<br>(SPEC BACC30AB8S)<br>(OPT HL97DU8<br>(V92215))<br>(OPT HL97DU8<br>(V56878))<br>-----*  | C        | 36           |
| R 107       | 173T2014-1  |                     | ...DOOR ASSY-INSPECTION<br>ATTACHING PARTS  | C        | 3            |
| R 108       | BACB30NN3R3 |                     | ...BOLT<br>-----*   | C        | 24           |
| R 109A      | 173T2014-3  |                     | ....SCREW   | C        | 1            |
| R 110       | MS24665-151 |                     | ....PIN   | C        | 1            |
| R 111       | NAS500WC10  |                     | ....SPACER  | C        | 1            |
| R 112A      | BRF200C3D   |                     | ....NUTPLATE-<br>(V52828)<br>(SPEC BACN10JR3CFD)<br>(OPT K51602-3BAC<br>(V15653))<br>(OPT NS202476-02<br>(V80539))<br>(OPT 102F9201-3<br>(V72962))<br>(OPT T8092C1032CD<br>(V11815))<br>ATTACHING PARTS | C        | 9            |

55-40-13

ILLUSTRATED PARTS LIST

01.1 Page 1058N

Nov 01/00


**BOEING**  
 COMPONENT  
 MAINTENANCE MANUAL

| FIG. & ITEM | PART NO.   | AIRLINE PART NUMBER | NOMENCLATURE<br>1234567  | EFF CODE | QTY PER ASSY |
|-------------|------------|---------------------|--|----------|--------------|
| R 05-113A   | AF5141-3-2 |                     | ....RIVET-<br>(V53551)<br>(SPEC BACR15DR3A2)<br>(OPT RV541A3-2<br>(V98996))<br>(OPT CCR264CS3-2TT<br>(V11815))   | C        | 16           |
| R 114       | AF5141-3-3 |                     | ....RIVET-<br>(V53551)<br>(SPEC BACR15DR3A3)<br>(OPT RV541A3-3<br>(V98996))<br>(OPT CCR264CS3-3TT<br>(V11815))<br>-----*   | C        | 2            |
| R 115       | 173T2014-2 |                     | ....BOND ASSY  | C        | 1            |
| R -117B     | 173T2007-5 |                     | ...PANEL INSTL-LE<br>(FOR DETAILS SEE FIG. 2)  | C        | 1            |
| R 119       | HL11VAZ6-3 |                     | ...BOLT-<br>(V56878)<br>(SPEC BACB30NW6K3)<br>(OPT B30NW6K3<br>(V97928))<br>(OPT HL11VAZ6-3<br>(V73197))<br>(OPT HL11VAZ6-3<br>(V92215))<br>(OPT HL11VAZ6-3<br>(V97928))<br>(OPT L803-6K3<br>(V06725))<br>(OPT HL11VAZ6-3<br>(V0PTK6))<br>(OPT HL11VAZ6-3<br>(V60516)) | C        | 10           |

55-40-13

 ILLUSTRATED PARTS LIST  
 01.1 Page 10580  
 Nov 01/00

| FIG. & ITEM | PART NO. | AIRLINE PART NUMBER | NOMENCLATURE<br>1234567  | EFF CODE | QTY PER ASSY |
|-------------|----------|---------------------|--|----------|--------------|
|             | 05-      |                     |  |          |              |
| R           | 120A     | BACB30MY6K3         | ...BOLT  | C        | 47           |
| R           | 121      | AN960C10L           | ...WASHER  | C        | 47           |
| R           | 122A     | HL97DU6             | ...COLLAR-<br>(V73197)<br>(SPEC BACC30AB6S)<br>(OPT HL97DU6<br>(V92215))<br>(OPT HL97DU6<br>(V56878))<br>(OPT ITEM 122B) | C        | 57           |
| R           | -122B    | KFN305C3            | ...NUT-<br>(V15653)<br>(OPT ITEM 122A)   | C        | 57           |
| R           | -123     | 173T2006-3          | ...SPAR INSTL-FRONT<br>(FOR DETAILS SEE FIG. 7)  | C        | 1            |
|             | 125      | 173T2025-1          | DELETED  |          |              |
|             |          |                     | ATTACHING PARTS  |          |              |
|             | 127      | HL10VAZ6-3          | DELETED  |          |              |
|             | 129      | HL97DU6             | DELETED  |          |              |
|             | 131      | 173T2025-2          | DELETED  |          |              |
|             | 133      | HL10VAZ8-5          | DELETED  |          |              |
|             | 135A     | HL97DU8             | DELETED  |          |              |
|             | 137      | 173T2025-3          | DELETED  |          |              |
|             | 139      | HL10VAZ6-3          | DELETED  |          |              |
|             | 141      | HL97DU6             | DELETED  |          |              |
|             | 143      | 173T2025-4          | DELETED  |          |              |
|             | 145      | HL10VAZ6-3          | DELETED  |          |              |
|             | 147      | HL97DU6             | DELETED  |          |              |
|             | 149      | 173T2025-5          | DELETED  |          |              |
|             | 151      | HL10VAZ8-7          | DELETED  |          |              |
|             | 153A     | HL97DU8             | DELETED  |          |              |
|             | 161      | 173T2025-7          | DELETED  |          |              |
|             | 163      | HL10VAZ8-7          | DELETED  |          |              |
|             | 165A     | HL97DU8             | DELETED  |          |              |
|             | 173      | 173T2025-9          | DELETED  |          |              |
|             | 175      | HL10VAZ8-7          | DELETED  |          |              |
|             | 177A     | HL97DU8             | DELETED  |          |              |
|             | 179      | 173T2025-10         | DELETED  |          |              |
|             | 181      | HL10VAZ6-3          | DELETED  |          |              |
|             | 183      | HL97DU6             | DELETED  |          |              |
|             | 185      | 173T2025-11         | DELETED  |          |              |
|             | 187      | HL10VAZ8-5          | DELETED  |          |              |
|             | 189A     | HL97DU8             | DELETED  |          |              |

55-40-13

 ILLUSTRATED PARTS LIST  
 01.1 Page 1058P  
 Nov 01/00


**BOEING**  
 COMPONENT  
 MAINTENANCE MANUAL

| FIG. & ITEM | PART NO.     | AIRLINE PART NUMBER | NOMENCLATURE<br>1234567 | EFF CODE | QTY PER ASSY |
|-------------|--------------|---------------------|-------------------------|----------|--------------|
| 05-         |              |                     |                         |          |              |
| 191         | 173T2025-12  |                     | DELETED                 |          |              |
| 192A        | HL10VAZ8-5   |                     | DELETED                 |          |              |
| 193A        | HL97DU8      |                     | DELETED                 |          |              |
| 194         | 173T2025-14  |                     | DELETED                 |          |              |
| 195         | 173T2025-13  |                     | DELETED                 |          |              |
| 196         | HL10VAZ8-6   |                     | DELETED                 |          |              |
| 197         | HL97DU8      |                     | DELETED                 |          |              |
| 198         | 173T2025-28  |                     | DELETED                 |          |              |
| 199         | 173T2025-29  |                     | DELETED                 |          |              |
| 200         | HL10VAZ6-5   |                     | DELETED                 |          |              |
| 201         | HL10VAZ6-3   |                     | DELETED                 |          |              |
| 201G        | BACW10BP3NDP |                     | DELETED                 |          |              |
| 202         | HL79-6       |                     | DELETED                 |          |              |
| 202A        | HL97DU6      |                     | DELETED                 |          |              |
| 203         | 173T2025-30  |                     | DELETED                 |          |              |
| 204         | 173T2025-31  |                     | DELETED                 |          |              |
| 205         | HL10VAZ6-5   |                     | DELETED                 |          |              |
| 206         | HL10VAZ6-3   |                     | DELETED                 |          |              |
| 206G        | BACW10BP3NDP |                     | DELETED                 |          |              |
| 207         | HL79-6       |                     | DELETED                 |          |              |
| 207A        | HL97DU6      |                     | DELETED                 |          |              |
| 208         | 173T2039-1   |                     | DELETED                 |          |              |
| 209         | HL11VAZ10-9  |                     | DELETED                 |          |              |
| 211A        | HL10VAZ8-5   |                     | DELETED                 |          |              |
| 213         | HL10VAZ8-6   |                     | DELETED                 |          |              |
| 215         | HL10VAZ8-7   |                     | DELETED                 |          |              |
| 217A        | HL10VAZ8-9   |                     | DELETED                 |          |              |
| 219         | HL79-10      |                     | DELETED                 |          |              |
| 221A        | HL97DU8      |                     | DELETED                 |          |              |
| 223         | 173T2053-8   |                     | DELETED                 |          |              |

55-40-13

 ILLUSTRATED PARTS LIST  
 01.1 Page 1058Q  
 Nov 01/00

| FIG. & ITEM | PART NO.        | AIRLINE PART NUMBER | NOMENCLATURE<br>1234567 | EFF CODE | QTY PER ASSY |
|-------------|-----------------|---------------------|-------------------------|----------|--------------|
| 05-         |                 |                     |                         |          |              |
| 225         | 173T2038-2      |                     | DELETED                 |          |              |
| 227         | BACB28AM11B024A |                     | DELETED                 |          |              |
| 229         | 173T2039-2      |                     | DELETED                 |          |              |
| 231         | 173T2039-3      |                     | DELETED                 |          |              |
| 233         | HL11VAZ10-9     |                     | DELETED                 |          |              |
| 235         | HL79-10         |                     | DELETED                 |          |              |
| 237         | 173T2053-8      |                     | DELETED                 |          |              |
| 239         | 173T2038-2      |                     | DELETED                 |          |              |
| 241         | BACB28AM11B024A |                     | DELETED                 |          |              |
| 243         | 173T2039-4      |                     | DELETED                 |          |              |
| 244         | 173T2054-2      |                     | DELETED                 |          |              |
| 245         | 173T2054-3      |                     | DELETED                 |          |              |
| 246         | BACB30NU4K7     |                     | DELETED                 |          |              |
| 247         | HL11VAZ6-7      |                     | DELETED                 |          |              |
| 248         | HL10VAZ6-4      |                     | DELETED                 |          |              |
| 248G        | BACW10BP3NDP    |                     | DELETED                 |          |              |
| 249         | HL79-6          |                     | DELETED                 |          |              |
| 251         | NS103192-048    |                     | DELETED                 |          |              |
| 253         | BACR15BA3AD     |                     | DELETED                 |          |              |
| 255         | BACF33C105-550E |                     | DELETED                 |          |              |
| 257         | 251T3445-5      |                     | DELETED                 |          |              |
| 258         | BACB30NT3K5     |                     | DELETED                 |          |              |
| 258G        | AN960PD10L      |                     | DELETED                 |          |              |
| 259         | KSP3L           |                     | DELETED                 |          |              |
| 260         | 251T3445-6      |                     | DELETED                 |          |              |
| -260A       | 251T3445-7      |                     | DELETED                 |          |              |
| 261A        | BRF200C3D       |                     | DELETED                 |          |              |
| 262A        | AF5141-3-3      |                     | DELETED                 |          |              |
| 263         | 173T2041-1      |                     | DELETED                 |          |              |
| 264         | 173T2041-3      |                     | DELETED                 |          |              |

# 55-40-13

 ILLUSTRATED PARTS LIST  
 01.1 Page 1058R  
 Nov 01/00


**BOEING**  
 COMPONENT  
 MAINTENANCE MANUAL

| FIG. & ITEM | PART NO.        | AIRLINE PART NUMBER | NOMENCLATURE<br>1234567 | EFF CODE | QTY PER ASSY |
|-------------|-----------------|---------------------|-------------------------|----------|--------------|
| 05-         |                 |                     |                         |          |              |
| 265         | HL13VAZ10-9     |                     | DELETED                 |          |              |
| 269         | HL10VAZ8-5      |                     | DELETED                 |          |              |
| 271         | HL79-10         |                     | DELETED                 |          |              |
| 273A        | HL97DU8         |                     | DELETED                 |          |              |
| 275         | 173T2053-8      |                     | DELETED                 |          |              |
| 279         | 173T2038-6      |                     | DELETED                 |          |              |
| 281         | BACB28AM14B031A |                     | DELETED                 |          |              |
| 281G        | 173T2041-16     |                     | DELETED                 |          |              |
| -281K       | 173T2041-17     |                     | DELETED                 |          |              |
| 285         | 173T2019-1      |                     | DELETED                 |          |              |
| 287         | HL11VAZ10-9     |                     | DELETED                 |          |              |
| 289         | HL13VAZ10-12    |                     | DELETED                 |          |              |
| 291         | HL10VAZ8-7      |                     | DELETED                 |          |              |
| 293         | HL10VAZ8-6      |                     | DELETED                 |          |              |
| 295         | HL79-10         |                     | DELETED                 |          |              |
| 297         | HL79-8          |                     | DELETED                 |          |              |
| 299         | 173T2053-9      |                     | DELETED                 |          |              |
| 301         | 173T2038-1      |                     | DELETED                 |          |              |
| 303         | BACB28AP14P048  |                     | DELETED                 |          |              |
| 305         | BACB28AM19B048A |                     | DELETED                 |          |              |
| 307         | 173T2019-2      |                     | DELETED                 |          |              |
| 331         | 173T2017-3      |                     | DELETED                 |          |              |
| 332         | 173T2017-1      |                     | DELETED                 |          |              |
| 333         | HL11VAZ10-9     |                     | DELETED                 |          |              |
| 335         | HL13VAZ10-12    |                     | DELETED                 |          |              |
| 337         | HL10VAZ8-6      |                     | DELETED                 |          |              |
| 339         | HL79-10         |                     | DELETED                 |          |              |
| 341         | HL79-8          |                     | DELETED                 |          |              |
| 343         | 173T2053-9      |                     | DELETED                 |          |              |
| 345         | 173T2038-1      |                     | DELETED                 |          |              |
| 347         | BACB28AP14P048  |                     | DELETED                 |          |              |
| 349         | BACB28AM19B048A |                     | DELETED                 |          |              |
| 351         | 173T2017-4      |                     | DELETED                 |          |              |
| 352         | 173T2017-2      |                     | DELETED                 |          |              |
| 353         | 173T2023-1      |                     | DELETED                 |          |              |
| 355         | HL11VAZ10-9     |                     | DELETED                 |          |              |
| 357         | HL10VAZ8-5      |                     | DELETED                 |          |              |
| 361         | HL10VAZ8-6      |                     | DELETED                 |          |              |
| 363         | HL79-10         |                     | DELETED                 |          |              |
| 365A        | HL97DU8         |                     | DELETED                 |          |              |
| 367         | 173T2053-10     |                     | DELETED                 |          |              |
| 369         | BACB28AM14B027A |                     | DELETED                 |          |              |
| 371         | BACB28AP10P047  |                     | DELETED                 |          |              |
| 373         | 173T2023-2      |                     | DELETED                 |          |              |
| 397         | 173T2023-3      |                     | DELETED                 |          |              |

55-40-13

 ILLUSTRATED PARTS LIST  
 01.1 Page 1058S  
 Nov 01/00



| FIG. & ITEM | PART NO.        | AIRLINE PART NUMBER | NOMENCLATURE<br>1234567 | EFF CODE | QTY PER ASSY |
|-------------|-----------------|---------------------|-------------------------|----------|--------------|
| 05-         |                 |                     |                         |          |              |
| 399         | HL11VAZ10-9     |                     | DELETED                 |          |              |
| 403         | HL10VAZ8-5      |                     | DELETED                 |          |              |
| 405         | HL10VAZ8-6      |                     | DELETED                 |          |              |
| 406         | HL79-10         |                     | DELETED                 |          |              |
| 407A        | HL97DU8         |                     | DELETED                 |          |              |
| 408         | 173T2053-10     |                     | DELETED                 |          |              |
| 409         | BACB28AM14B027A |                     | DELETED                 |          |              |
| 411         | AN960PD2016     |                     | DELETED                 |          |              |
| 413         | 173T2038-5      |                     | DELETED                 |          |              |
| 415         | 173T2038-3      |                     | DELETED                 |          |              |
| 417         | 173T2038-4      |                     | DELETED                 |          |              |
| 418         | 173T2023-4      |                     | DELETED                 |          |              |
| 419         | 173T2043-1      |                     | DELETED                 |          |              |
| 420         | 173T2045-1      |                     | DELETED                 |          |              |
| 421         | HL11VAZ10-9     |                     | DELETED                 |          |              |
| 422         | HL11VAZ10-8     |                     | DELETED                 |          |              |
| 423         | HL79-10         |                     | DELETED                 |          |              |
| 425         | 173T2053-8      |                     | DELETED                 |          |              |
| 427         | 173T2038-2      |                     | DELETED                 |          |              |
| 429         | BACB28AM11B024A |                     | DELETED                 |          |              |
| 431         | 173T2043-2      |                     | DELETED                 |          |              |
| 432         | 173T2045-2      |                     | DELETED                 |          |              |
| 461         | 173T2046-1      |                     | DELETED                 |          |              |
| 463         | HL11VAZ10-10    |                     | DELETED                 |          |              |
| 465A        | HL10VAZ8-6      |                     | DELETED                 |          |              |
| 467         | HL79-10         |                     | DELETED                 |          |              |
| 469A        | HL97DU8         |                     | DELETED                 |          |              |
| 471         | 173T2053-8      |                     | DELETED                 |          |              |
| 473         | 173T2038-7      |                     | DELETED                 |          |              |
| 475         | BACB28AM11B024A |                     | DELETED                 |          |              |
| 477         | 173T2046-2      |                     | DELETED                 |          |              |
| 479         | 173T2013-5      |                     | DELETED                 |          |              |
| 481         | BACB30NT3K3     |                     | DELETED                 |          |              |
| 483A        | BRF200C3D       |                     | DELETED                 |          |              |
| 485A        | AF5141-3-2      |                     | DELETED                 |          |              |
| 487         | 173T2053-7      |                     | DELETED                 |          |              |
| 491         | HL11VAZ6-5      |                     | DELETED                 |          |              |
| 493         | HL97DU6         |                     | DELETED                 |          |              |
| 495         | 173T2053-35     |                     | DELETED                 |          |              |
| 497         | HL11VAZ6-5      |                     | DELETED                 |          |              |
| 499         | HL97DU6         |                     | DELETED                 |          |              |
| 501         | HL11VAZ6-5      |                     | DELETED                 |          |              |
| 503         | HL97DU6         |                     | DELETED                 |          |              |
| 505         | 173T2053-36     |                     | DELETED                 |          |              |
| 511         | 173T2053-5      |                     | DELETED                 |          |              |

55-40-13

 ILLUSTRATED PARTS LIST  
 01.1 Page 1058T  
 Nov 01/00


**BOEING**  
 COMPONENT  
 MAINTENANCE MANUAL

| FIG. & ITEM | PART NO.    | AIRLINE PART NUMBER | NOMENCLATURE<br>1234567  | EFF CODE | QTY PER ASSY |
|-------------|-------------|---------------------|--|----------|--------------|
| 05-         |             |                     |  |          |              |
| 513         | HL11VAZ6-5  |                     | DELETED  |          |              |
| 517A        | HL97DU6     |                     | DELETED  |          |              |
| 521         | 173T2053-1  |                     | DELETED  |          |              |
| 523         | 173T2053-2  |                     | DELETED  |          |              |
|             |             |                     | ATTACHING PARTS  |          |              |
| 527         | HL11VAZ6-5  |                     | DELETED  |          |              |
| 529         | HL11VAZ6-4  |                     | DELETED  |          |              |
| 533         | HL97DU6     |                     | DELETED  |          |              |
| 534         | 173T2053-3  |                     | DELETED  |          |              |
| 535         | 173T2053-4  |                     | DELETED  |          |              |
| 536A        | HL11VAZ6-5  |                     | DELETED  |          |              |
| 537         | HL97DU6     |                     | DELETED  |          |              |
| 539         | HL11VAZ6-4  |                     | DELETED  |          |              |
| 541         | HL11VAZ6-5  |                     | DELETED  |          |              |
| 542         | HL11VAZ6-6  |                     | DELETED  |          |              |
| 543         | HL11VAZ8-5  |                     | DELETED  |          |              |
| 545         | HL11VAZ8-6  |                     | DELETED  |          |              |
| 546         | 173T2056-1  |                     | DELETED  |          |              |
| 546H        | BACB30LK4-7 |                     | DELETED  |          |              |
| 546N        | BACW10DM8P  |                     | DELETED  |          |              |
| 546T        | BACN10JC4CM |                     | DELETED  |          |              |
| 547         | HL97DU6     |                     | DELETED  |          |              |
| 549         | HL97DU8     |                     | DELETED  |          |              |
| 551         | 173T2016-1  |                     | DELETED  |          |              |
| R 553       | 173T2013-3  |                     | ...DOUBLER-PNL SKIN  | C        | 2            |
| R 555       | HL11VAZ6-4  |                     | ...BOLT-<br>(V56878)<br>(SPEC BACB30NW6K4)<br>(OPT HL11V6-4<br>(V92215))<br>(OPT HL11V6-4<br>(V97928))<br>(OPT L803-6-4<br>(V06725))<br>(OPT B30NW6K4<br>(V97928))<br>(OPT HL11VAZ6-4<br>(V73197))<br>(OPT HL11VAZ6-4<br>(V92215))<br>(OPT HL11VAZ6-4<br>(V97928)) | C        | 8            |

55-40-13

 ILLUSTRATED PARTS LIST  
 01.1 Page 1058U  
 Nov 01/00

| FIG. & ITEM | PART NO.   | AIRLINE PART NUMBER | NOMENCLATURE<br>1234567  | EFF CODE | QTY PER ASSY |
|-------------|------------|---------------------|--|----------|--------------|
| R 05-557    | HL97DU6    |                     | ...COLLAR-<br>(V73197)<br>(SPEC BACC30AB6S)<br>(OPT HL97DU6<br>(V92215))<br>(OPT HL97DU6<br>(V56878))<br>(OPT ITEM 557A)   | C        | 8            |
| R -557A     | KFN305C3   |                     | ...NUT-<br>(V15653)<br>(OPT ITEM 557)<br>-----*-----   | C        | 8            |
| R 559       | 173T2013-4 |                     | ...DOUBLER-PNL SKIN<br>ATTACHING PARTS   | C        | 2            |
| R 561       | HL11VAZ6-4 |                     | ...BOLT-<br>(V56878)<br>(SPEC BACB30NW6K4)<br>(OPT HL11V6-4<br>(V92215))<br>(OPT HL11V6-4<br>(V97928))<br>(OPT L803-6-4<br>(V06725))<br>(OPT B30NW6K4<br>(V97928))<br>(OPT HL11VAZ6-4<br>(V73197))<br>(OPT HL11VAZ6-4<br>(V92215))<br>(OPT HL11VAZ6-4<br>(V97928)) | C        | 8            |

55-40-13

 ILLUSTRATED PARTS LIST  
 01.1 Page 1058V  
 Nov 01/00

**BOEING**  
 COMPONENT  
 MAINTENANCE MANUAL

| FIG. & ITEM | PART NO.   | AIRLINE PART NUMBER | NOMENCLATURE<br>1234567  | EFF CODE | QTY PER ASSY |
|-------------|------------|---------------------|--|----------|--------------|
| R 05-563    | HL11VAZ6-6 |                     | ...BOLT-<br>(V56878)<br>(SPEC BACB30NW6K6)<br>(OPT B30NW6K6<br>(V97928))<br>(OPT HL11VAZ6-6<br>(V73197))<br>(OPT HL11VAZ6-6<br>(V92215))<br>(OPT HL11VAZ6-6<br>(V97928))<br>(OPT L803-6K6<br>(V06725))<br>(OPT HL11VAZ6-6<br>(VOPTK6))<br>(OPT HL11VAZ6-6<br>(V60516)) | C        | 2            |
| R 564       | HL11RA6-6  |                     | ...BOLT-<br>(V56878)<br>(SPEC BACB30NW6R6)<br>(OPT HL11RA6-6<br>(V92215))<br>(OPT HL11RA6-6<br>(V97928))<br>(OPT L803-6R6<br>(V06725))<br>(OPT HL11RA6-6<br>(V73197))<br>(OPT B30NW6R6<br>(V97928))<br>(OPT HL11RA6-6<br>(VOPTK6))<br>(OPT HL11RA6-6<br>(V60516))      | C        | 1            |

**55-40-13**

ILLUSTRATED PARTS LIST  
 01.1 Page 1058W  
 Nov 01/00

| FIG. & ITEM | PART NO.    | AIRLINE PART NUMBER | NOMENCLATURE<br>1234567  | EFF CODE | QTY PER ASSY |
|-------------|-------------|---------------------|--|----------|--------------|
| R 05-565    | HL97DU6     |                     | ...COLLAR-<br>(V73197)<br>(SPEC BACC30AB6S)<br>(OPT HL97DU6<br>(V92215))<br>(OPT HL97DU6<br>(V56878))<br>(OPT ITEM 565A)   | C        | 11           |
| R -565A     | KFN305C3    |                     | ...NUT-<br>(V15653)<br>(OPT ITEM 565)  | C        | 11           |
| R 567A      | BACB30UR3K6 |                     | ...BOLT  | C        | 2            |
| R 568       | BACB30UR3R6 |                     | ...BOLT  | C        | 1            |
| R 569       | 173T2053-43 |                     | ...SHIM<br>-----*  | C        | 2            |
| R 571A      | NS202495-02 |                     | ...NUTPLATE-<br>(V80539)<br>(SPEC BACN10KE3DCD)<br>(OPT F51753-3CD<br>(V15653))  | C        | 2            |
| R 573A      | BRF200C3D   |                     | ...NUTPLATE-<br>(V52828)<br>(SPEC BACN10JR3CFD)<br>(OPT K51602-3BAC<br>(V15653))<br>(OPT NS202476-02<br>(V80539))<br>(OPT 102F9201-3<br>(V72962))<br>(OPT T8092C1032CD<br>(V11815))<br>ATTACHING PARTS | C        | 1            |

55-40-13

 ILLUSTRATED PARTS LIST  
 01.1 Page 1058X  
 Nov 01/00


**BOEING**  
 COMPONENT  
 MAINTENANCE MANUAL

| FIG. & ITEM | PART NO.   | AIRLINE PART NUMBER | NOMENCLATURE<br>1234567  | EFF CODE | QTY PER ASSY |
|-------------|------------|---------------------|--|----------|--------------|
| R 05-575    | AF5141-3-2 |                     | ...RIVET-<br>(V53551)<br>(SPEC BACR15DR3A2)<br>(OPT RV541A3-2<br>(V98996))<br>(OPT CCR264CS3-2TT<br>(V11815))<br>-----*  | C        | 6            |
| R 577       | 173T2013-1 |                     | ...DOUBLER ASSY-SKIN PNL   | C        | 1            |
| R 579       | 173T2013-2 |                     | ...DOUBLER ASSY-SKIN PNL<br>ATTACHING PARTS  | C        | 1            |
| R 581       | HL11VAZ6-4 |                     | ...BOLT-<br>(V56878)<br>(SPEC BACB30NW6K4)<br>(OPT HL11V6-4<br>(V92215))<br>(OPT HL11V6-4<br>(V97928))<br>(OPT L803-6-4<br>(V06725))<br>(OPT B30NW6K4<br>(V97928))<br>(OPT HL11VAZ6-4<br>(V73197))<br>(OPT HL11VAZ6-4<br>(V92215))<br>(OPT HL11VAZ6-4<br>(V97928))     | C        | 128          |
| R 583       | HL11VAZ6-6 |                     | ...BOLT-<br>(V56878)<br>(SPEC BACB30NW6K6)<br>(OPT B30NW6K6<br>(V97928))<br>(OPT HL11VAZ6-6<br>(V73197))<br>(OPT HL11VAZ6-6<br>(V92215))<br>(OPT HL11VAZ6-6<br>(V97928))<br>(OPT L803-6K6<br>(V06725))<br>(OPT HL11VAZ6-6<br>(VOPTK6))<br>(OPT HL11VAZ6-6<br>(V60516)) | C        | 9            |

55-40-13

 ILLUSTRATED PARTS LIST  
 01.1 Page 1058Y  
 Nov 01/00

| FIG. & ITEM | PART NO.    | AIRLINE PART NUMBER | NOMENCLATURE<br>1234567   | EFF CODE | QTY PER ASSY |
|-------------|-------------|---------------------|---|----------|--------------|
| R 05-584    | HL11RA6-6   |                     | ...BOLT-<br>(V56878)<br>(SPEC BACB30NW6R6)<br>(OPT HL11RA6-6<br>(V92215))<br>(OPT HL11RA6-6<br>(V97928))<br>(OPT L803-6R6<br>(V06725))<br>(OPT HL11RA6-6<br>(V73197))<br>(OPT B30NW6R6<br>(V97928))<br>(OPT HL11RA6-6<br>(V0PTK6))<br>(OPT HL11RA6-6<br>(V60516)) | C        | 3            |
| R 585A      | BACB30UR3K6 |                     | ...BOLT   | C        | 9            |
| R 586       | BACB30UR3R6 |                     | ...BOLT   | C        | 3            |
| R 587       | HL97DU6     |                     | ...COLLAR-<br>(V73197)<br>(SPEC BACC30AB6S)<br>(OPT HL97DU6<br>(V92215))<br>(OPT HL97DU6<br>(V56878))<br>(OPT ITEM 587A)  | C        | 140          |
| R -587A     | KFN305C3    |                     | ...NUT-<br>(V15653)<br>(OPT ITEM 587)   | C        | 140          |
| R 589       | 173T2053-41 |                     | ...SHIM<br>-----*   | C        | 6            |
| R 591A      | NS202495-02 |                     | ...NUTPLATE-<br>(V80539)<br>(SPEC BACN10KE3DCD)<br>(OPT F51753-3CD<br>(V15653))   | C        | 3            |

# 55-40-13

 ILLUSTRATED PARTS LIST  
 01.1 Page 1058Z  
 Nov 01/00


**BOEING**  
 COMPONENT  
 MAINTENANCE MANUAL

| FIG. & ITEM | PART NO.    | AIRLINE PART NUMBER | NOMENCLATURE<br>1234567  | EFF CODE | QTY PER ASSY |
|-------------|-------------|---------------------|--|----------|--------------|
| R 05-593A   | BRF200C3D   |                     | ...NUTPLATE-<br>(V52828)<br>(SPEC BACN10JR3CFD)<br>(OPT K51602-3BAC<br>(V15653))<br>(OPT NS202476-02<br>(V80539))<br>(OPT 102F9201-3<br>(V72962))<br>(OPT T8092C1032CD<br>(V11815))<br>ATTACHING PARTS   | C        | 9            |
| R 595       | AF5141-3-2  |                     | ...RIVET-<br>(V53551)<br>(SPEC BACR15DR3A2)<br>(OPT RV541A3-2<br>(V98996))<br>(OPT CCR264CS3-2TT<br>(V11815))<br>-----*  | C        | 24           |
| R 627       | 173T2004-17 |                     | ...BOND ASSY-DOUBLER   | C        | 1            |
| R 629       | 173T2004-18 |                     | ...BOND ASSY-DOUBLER<br>ATTACHING PARTS  | C        | 1            |
| R 631       | HL11VAZ6-4  |                     | ...BOLT-<br>(V56878)<br>(SPEC BACB30NW6K4)<br>(OPT HL11V6-4<br>(V92215))<br>(OPT HL11V6-4<br>(V97928))<br>(OPT L803-6-4<br>(V06725))<br>(OPT B30NW6K4<br>(V97928))<br>(OPT HL11VAZ6-4<br>(V73197))<br>(OPT HL11VAZ6-4<br>(V92215))<br>(OPT HL11VAZ6-4<br>(V97928)) | C        | 40           |

55-40-13

 ILLUSTRATED PARTS LIST  
 01.1 Page 1059  
 Nov 01/00



| FIG. & ITEM | PART NO.    | AIRLINE PART NUMBER | NOMENCLATURE<br>1234567  | EFF CODE | QTY PER ASSY |
|-------------|-------------|---------------------|--|----------|--------------|
| R 05-633    | HL97DU6     |                     | ...COLLAR-<br>(V73197)<br>(SPEC BACC30AB6S)<br>(OPT HL97DU6<br>(V92215))<br>(OPT HL97DU6<br>(V56878))<br>(OPT ITEM 633A)   | C        | 40           |
| R -633A     | KFN305C3    |                     | ...NUT-<br>(V15653)<br>(OPT ITEM 633)<br>-----*  | C        | 40           |
| R 635       | 173T2026-10 |                     | ...RIB ASSY-LWR CLOSURE<br>ATTACHING PARTS   | C        | 1            |
| R 637       | HL11VAZ6-4  |                     | ...BOLT-<br>(V56878)<br>(SPEC BACB30NW6K4)<br>(OPT HL11V6-4<br>(V92215))<br>(OPT HL11V6-4<br>(V97928))<br>(OPT L803-6-4<br>(V06725))<br>(OPT B30NW6K4<br>(V97928))<br>(OPT HL11VAZ6-4<br>(V73197))<br>(OPT HL11VAZ6-4<br>(V92215))<br>(OPT HL11VAZ6-4<br>(V97928)) | C        | 30           |

55-40-13

 ILLUSTRATED PARTS LIST  
 01.1 Page 1060  
 Nov 01/00


**BOEING**  
 COMPONENT  
 MAINTENANCE MANUAL

| FIG. & ITEM | PART NO.   | AIRLINE PART NUMBER | NOMENCLATURE<br>1234567  | EFF CODE | QTY PER ASSY |
|-------------|------------|---------------------|--|----------|--------------|
| R 05-638    | HL11RA6-4  |                     | ...BOLT-<br>(V56878)<br>(SPEC BACB30NW6R4)<br>(OPT HL11RA6-4<br>(V92215))<br>(OPT HL11RA6-4<br>(V97928))<br>(OPT L803-6R4<br>(V06725))<br>(OPT HL11RA6-4<br>(V73197))<br>(OPT B30NW6R4<br>(V97928))<br>(OPT HL11RA6-4<br>(VOPTK6))<br>(OPT HL11RA6-4<br>(V60516))      | C        | 3            |
| R 639       | HL11VAZ6-3 |                     | ...BOLT-<br>(V56878)<br>(SPEC BACB30NW6K3)<br>(OPT B30NW6K3<br>(V97928))<br>(OPT HL11VAZ6-3<br>(V73197))<br>(OPT HL11VAZ6-3<br>(V92215))<br>(OPT HL11VAZ6-3<br>(V97928))<br>(OPT L803-6K3<br>(V06725))<br>(OPT HL11VAZ6-3<br>(VOPTK6))<br>(OPT HL11VAZ6-3<br>(V60516)) | C        | 24           |

55-40-13

 ILLUSTRATED PARTS LIST  
 01.1 Page 1060A  
 Nov 01/00

| FIG. & ITEM | PART NO.    | AIRLINE PART NUMBER | NOMENCLATURE<br>1234567   | EFF CODE | QTY PER ASSY |
|-------------|-------------|---------------------|---|----------|--------------|
| R 05-640    | HL11RA6-3   |                     | ...BOLT-<br>(V56878)<br>(SPEC BACB30NW6R3)<br>(OPT HL11RA6-3<br>(V92215))<br>(OPT HL11RA6-3<br>(V97928))<br>(OPT L803-6R3<br>(V06725))<br>(OPT HL11RA6-3<br>(V73197))<br>(OPT B30NW6R3<br>(V97928))<br>(OPT HL11RA6-3<br>(V0PTK6))<br>(OPT HL11RA6-3<br>(V60516)) | C        | 1            |
| R 641       | HL97DU6     |                     | ...COLLAR-<br>(V73197)<br>(SPEC BACC30AB6S)<br>(OPT HL97DU6<br>(V92215))<br>(OPT HL97DU6<br>(V56878))<br>(OPT ITEM 641A)  | C        | 58           |
| R -641A     | KFN305C3    |                     | ...NUT-<br>(V15653)<br>(OPT ITEM 641)   | C        | 58           |
| R 643A      | BACB30UR3K4 |                     | ...BOLT   | C        | 30           |
| R 644       | BACB30UR3R4 |                     | ...BOLT   | C        | 3            |
| R 645A      | BACB30UR3K3 |                     | ...BOLT   | C        | 24           |
| R 646       | BACB30UR3R3 |                     | ...BOLT<br>-----*-----  | C        | 1            |

# 55-40-13

 ILLUSTRATED PARTS LIST  
 01.1 Page 1060B  
 Nov 01/00


**BOEING**  
 COMPONENT  
 MAINTENANCE MANUAL

| FIG. & ITEM | PART NO.   | AIRLINE PART NUMBER | NOMENCLATURE<br>1234567   | EFF CODE | QTY PER ASSY |
|-------------|------------|---------------------|---|----------|--------------|
| R 05-647    | 173T2026-4 |                     | ....BOND ASSY-STIFFENER ATTACHING PARTS   | C        | 1            |
| R 649       | HL11VAZ6-3 |                     | ....BOLT-<br>(V56878)<br>(SPEC BACB30NW6K3)<br>(OPT B30NW6K3<br>(V97928))<br>(OPT HL11VAZ6-3<br>(V73197))<br>(OPT HL11VAZ6-3<br>(V92215))<br>(OPT HL11VAZ6-3<br>(V97928))<br>(OPT L803-6K3<br>(V06725))<br>(OPT HL11VAZ6-3<br>(V0PTK6))<br>(OPT HL11VAZ6-3<br>(V60516)) | C        | 23           |
| R 651       | HL97DU6    |                     | ....COLLAR-<br>(V73197)<br>(SPEC BACC30AB6S)<br>(OPT HL97DU6<br>(V92215))<br>(OPT HL97DU6<br>(V56878))<br>(OPT ITEM 651A)   | C        | 23           |
| R -651A     | KFN305C3   |                     | ....NUT-<br>(V15653)<br>(OPT ITEM 651)<br>-----*  | C        | 23           |
| R 653       | 173T2026-5 |                     | ....RIB-SPLICE PLATE  | C        | 1            |

55-40-13

 ILLUSTRATED PARTS LIST  
 01.1 Page 1060C  
 Nov 01/00

| FIG. & ITEM | PART NO.   | AIRLINE PART NUMBER | NOMENCLATURE<br>1234567  | EFF CODE | QTY PER ASSY |
|-------------|------------|---------------------|--|----------|--------------|
| R 05-655    | HL11VAZ6-3 |                     | ATTACHING PARTS<br>....BOLT-<br>(V56878)<br>(SPEC BACB30NW6K3)<br>(OPT B30NW6K3<br>(V97928))<br>(OPT HL11VAZ6-3<br>(V73197))<br>(OPT HL11VAZ6-3<br>(V92215))<br>(OPT HL11VAZ6-3<br>(V97928))<br>(OPT L803-6K3<br>(V06725))<br>(OPT HL11VAZ6-3<br>(V0PTK6))<br>(OPT HL11VAZ6-3<br>(V60516)) | C        | 20           |
| R 657       | HL97DU6    |                     | ....COLLAR-<br>(V73197)<br>(SPEC BACC30AB6S)<br>(OPT HL97DU6<br>(V92215))<br>(OPT HL97DU6<br>(V56878))<br>(OPT ITEM 657A)  | C        | 20           |
| R -657A     | KFN305C3   |                     | ....NUT-<br>(V15653)<br>(OPT ITEM 657)<br>-----*-----  | C        | 20           |

# 55-40-13

 ILLUSTRATED PARTS LIST  
 01.1 Page 1060D  
 Nov 01/00


**BOEING**  
 COMPONENT  
 MAINTENANCE MANUAL

| FIG. & ITEM | PART NO.   | AIRLINE PART NUMBER | NOMENCLATURE<br>1234567  | EFF CODE | QTY PER ASSY |
|-------------|------------|---------------------|--|----------|--------------|
| R           | 05-<br>659 | 173T2026-11         | ....BOND ASSY-FWD RIB  | C        | 1            |
| R           | 661        | 173T2026-2          | ....BOND ASSY-AFT RIB  | C        | 1            |
| R           | 663A       | BRF200C3D           | ...NUTPLATE-<br>(V52828)<br>(SPEC BACN10JR3CFD)<br>(OPT K51602-3BAC<br>(V15653))<br>(OPT NS202476-02<br>(V80539))<br>(OPT 102F9201-3<br>(V72962))<br>(OPT T8092C1032CD<br>(V11815))<br>ATTACHING PARTS   | C        | 58           |
| R           | 667        | AF5141-3-2          | ...RIVET-<br>(V53551)<br>(SPEC BACR15DR3A2)<br>(OPT RV541A3-2<br>(V98996))<br>(OPT CCR264CS3-2TT<br>(V11815))<br>-----*  | C        | 116          |
| R           | 668        | 173T2053-46         | ...SHIM  | C        | 1            |
| R           | 669        | 173T2027-1          | ...RIB ASSY<br>ATTACHING PARTS   | C        | 1            |
| R           | 673        | HL11VAZ6-4          | ...BOLT-<br>(V56878)<br>(SPEC BACB30NW6K4)<br>(OPT HL11V6-4<br>(V92215))<br>(OPT HL11V6-4<br>(V97928))<br>(OPT L803-6-4<br>(V06725))<br>(OPT B30NW6K4<br>(V97928))<br>(OPT HL11VAZ6-4<br>(V73197))<br>(OPT HL11VAZ6-4<br>(V92215))<br>(OPT HL11VAZ6-4<br>(V97928)) | C        | 25           |

55-40-13

 ILLUSTRATED PARTS LIST  
 01.1 Page 1060E  
 Nov 01/00

| FIG. & ITEM | PART NO.   | AIRLINE PART NUMBER | NOMENCLATURE<br>1234567  | EFF CODE | QTY PER ASSY |
|-------------|------------|---------------------|--|----------|--------------|
| R 05-674    | HL11RA6-4  |                     | ...BOLT-<br>(V56878)<br>(SPEC BACB30NW6R4)<br>(OPT HL11RA6-4<br>(V92215))<br>(OPT HL11RA6-4<br>(V97928))<br>(OPT L803-6R4<br>(V06725))<br>(OPT HL11RA6-4<br>(V73197))<br>(OPT B30NW6R4<br>(V97928))<br>(OPT HL11RA6-4<br>(VOPTK6))<br>(OPT HL11RA6-4<br>(V60516))  | C        | 1            |
| R 675       | HL11VAZ6-5 |                     | ...BOLT-<br>(V56878)<br>(SPEC BACB30NW6K5)<br>(OPT HL11V6-5<br>(V92215))<br>(OPT HL11V6-5<br>(V97928))<br>(OPT L803-6-5<br>(V06725))<br>(OPT B30NW6K5<br>(V97928))<br>(OPT HL11VAZ6-5<br>(V73197))<br>(OPT HL11VAZ6-5<br>(V92215))<br>(OPT HL11VAZ6-5<br>(V97928)) | C        | 1            |

# 55-40-13

 ILLUSTRATED PARTS LIST  
 01.1 Page 1060F  
 Nov 01/00


**BOEING**  
 COMPONENT  
 MAINTENANCE MANUAL

| FIG. & ITEM | PART NO.    | AIRLINE PART NUMBER | NOMENCLATURE<br>1234567  | EFF CODE | QTY PER ASSY |
|-------------|-------------|---------------------|--|----------|--------------|
| R 05-677    | HL97DU6     |                     | ...COLLAR-<br>(V73197)<br>(SPEC BACC30AB6S)<br>(OPT HL97DU6<br>(V92215))<br>(OPT HL97DU6<br>(V56878))<br>(OPT ITEM 677A)   | C        | 27           |
| R -677A     | KFN305C3    |                     | ...NUT-<br>(V15653)<br>(OPT ITEM 677)  | C        | 27           |
| R 679A      | BACB30UR3K4 |                     | ...BOLT  | C        | 25           |
| R 680       | BACB30UR3R4 |                     | ...BOLT  | C        | 1            |
| R 681A      | BACB30UR3K5 |                     | ...BOLT  | C        | 1            |
| R 683       | 173T2053-42 |                     | ...SHIM<br>-----*  | C        | 2            |
| R 687A      | NS202495-02 |                     | ...NUTPLATE-<br>(V80539)<br>(SPEC BACN10KE3DCD)<br>(OPT F51753-3CD<br>(V15653))  | C        | 2            |
| R 689A      | BRF200C3D   |                     | ...NUTPLATE-<br>(V52828)<br>(SPEC BACN10JR3CFD)<br>(OPT K51602-3BAC<br>(V15653))<br>(OPT NS202476-02<br>(V80539))<br>(OPT 102F9201-3<br>(V72962))<br>(OPT T8092C1032CD<br>(V11815))<br>ATTACHING PARTS | C        | 25           |

55-40-13

 ILLUSTRATED PARTS LIST  
 01.1 Page 1060G  
 Nov 01/00



| FIG. & ITEM | PART NO.   | AIRLINE PART NUMBER | NOMENCLATURE<br>1234567  | EFF CODE | QTY PER ASSY |
|-------------|------------|---------------------|--|----------|--------------|
| R 05-691    | AF5141-3-2 |                     | ...RIVET-<br>(V53551)<br>(SPEC BACR15DR3A2)<br>(OPT RV541A3-2<br>(V98996))<br>(OPT CCR264CS3-2TT<br>(V11815))<br>-----*  | C        | 54           |
| R 693       | 173T2028-1 |                     | ...RIB ASSY<br>ATTACHING PARTS   | C        | 1            |
| R 697       | HL11VAZ6-4 |                     | ...BOLT-<br>(V56878)<br>(SPEC BACB30NW6K4)<br>(OPT HL11V6-4<br>(V92215))<br>(OPT HL11V6-4<br>(V97928))<br>(OPT L803-6-4<br>(V06725))<br>(OPT B30NW6K4<br>(V97928))<br>(OPT HL11VAZ6-4<br>(V73197))<br>(OPT HL11VAZ6-4<br>(V92215))<br>(OPT HL11VAZ6-4<br>(V97928)) | C        | 20           |
| R 699A      | HL11RA6-3  |                     | ...BOLT-<br>(V56878)<br>(SPEC BACB30NW6R3)<br>(OPT HL11RA6-3<br>(V92215))<br>(OPT HL11RA6-3<br>(V97928))<br>(OPT L803-6R3<br>(V06725))<br>(OPT HL11RA6-3<br>(V73197))<br>(OPT B30NW6R3<br>(V97928))<br>(OPT HL11RA6-3<br>(VOPTK6))<br>(OPT HL11RA6-3<br>(V60516))  | C        | 1            |

55-40-13

 ILLUSTRATED PARTS LIST  
 01.1 Page 1060H  
 Nov 01/00


**BOEING**  
 COMPONENT  
 MAINTENANCE MANUAL

| FIG. & ITEM | PART NO.    | AIRLINE PART NUMBER | NOMENCLATURE<br>1234567  | EFF CODE | QTY PER ASSY |
|-------------|-------------|---------------------|--|----------|--------------|
| R 05-701    | HL11VAZ6-5  |                     | ...BOLT-<br>(V56878)<br>(SPEC BACB30NW6K5)<br>(OPT HL11V6-5<br>(V92215))<br>(OPT HL11V6-5<br>(V97928))<br>(OPT L803-6-5<br>(V06725))<br>(OPT B30NW6K5<br>(V97928))<br>(OPT HL11VAZ6-5<br>(V73197))<br>(OPT HL11VAZ6-5<br>(V92215))<br>(OPT HL11VAZ6-5<br>(V97928)) | C        | 1            |
| R 703       | HL97DU6     |                     | ...COLLAR-<br>(V73197)<br>(SPEC BACC30AB6S)<br>(OPT HL97DU6<br>(V92215))<br>(OPT HL97DU6<br>(V56878))<br>(OPT ITEM 703A)   | C        | 22           |
| R -703A     | KFN305C3    |                     | ...NUT-<br>(V15653)<br>(OPT ITEM 703)  | C        | 22           |
| R 705A      | BACB30UR3K4 |                     | ...BOLT  | C        | 20           |
| R 707A      | BACB30UR3R3 |                     | ...BOLT  | C        | 1            |
| R 709A      | BACB30UR3K5 |                     | ...BOLT  | C        | 1            |
| R 711       | 173T2053-42 |                     | ...SHIM<br>-----*  | C        | 2            |
| R 713A      | NS202495-02 |                     | ...NUTPLATE-<br>(V80539)<br>(SPEC BACN10KE3DCD)<br>(OPT F51753-3CD<br>(V15653))  | C        | 3            |

55-40-13

 ILLUSTRATED PARTS LIST  
 01.1 Page 1060I  
 Nov 01/00

| FIG. & ITEM | PART NO.   | AIRLINE PART NUMBER | NOMENCLATURE<br>1234567  | EFF CODE | QTY PER ASSY |
|-------------|------------|---------------------|--|----------|--------------|
| R 05-715A   | BRF200C3D  |                     | ...NUTPLATE-<br>(V52828)<br>(SPEC BACN10JR3CFD)<br>(OPT K51602-3BAC<br>(V15653))<br>(OPT NS202476-02<br>(V80539))<br>(OPT 102F9201-3<br>(V72962))<br>(OPT T8092C1032CD<br>(V11815))<br>ATTACHING PARTS   | C        | 19           |
| R 717       | AF5141-3-2 |                     | ...RIVET-<br>(V53551)<br>(SPEC BACR15DR3A2)<br>(OPT RV541A3-2<br>(V98996))<br>(OPT CCR264CS3-2TT<br>(V11815))<br>-----*  | C        | 44           |
| R 719       | 173T2029-1 |                     | ...RIB ASSY<br>ATTACHING PARTS   | C        | 1            |
| R 723       | HL11VAZ6-4 |                     | ...BOLT-<br>(V56878)<br>(SPEC BACB30NW6K4)<br>(OPT HL11V6-4<br>(V92215))<br>(OPT HL11V6-4<br>(V97928))<br>(OPT L803-6-4<br>(V06725))<br>(OPT B30NW6K4<br>(V97928))<br>(OPT HL11VAZ6-4<br>(V73197))<br>(OPT HL11VAZ6-4<br>(V92215))<br>(OPT HL11VAZ6-4<br>(V97928)) | C        | 18           |

55-40-13

 ILLUSTRATED PARTS LIST  
 01.1 Page 1060J  
 Nov 01/00


**BOEING**  
 COMPONENT  
 MAINTENANCE MANUAL

| FIG. & ITEM | PART NO.   | AIRLINE PART NUMBER | NOMENCLATURE<br>1234567  | EFF CODE | QTY PER ASSY |
|-------------|------------|---------------------|--|----------|--------------|
| R 05-725A   | HL11RA6-3  |                     | ...BOLT-<br>(V56878)<br>(SPEC BACB30NW6R3)<br>(OPT HL11RA6-3<br>(V92215))<br>(OPT HL11RA6-3<br>(V97928))<br>(OPT L803-6R3<br>(V06725))<br>(OPT HL11RA6-3<br>(V73197))<br>(OPT B30NW6R3<br>(V97928))<br>(OPT HL11RA6-3<br>(V0PTK6))<br>(OPT HL11RA6-3<br>(V60516))  | C        | 1            |
| R 727       | HL11VAZ6-5 |                     | ...BOLT-<br>(V56878)<br>(SPEC BACB30NW6K5)<br>(OPT HL11V6-5<br>(V92215))<br>(OPT HL11V6-5<br>(V97928))<br>(OPT L803-6-5<br>(V06725))<br>(OPT B30NW6K5<br>(V97928))<br>(OPT HL11VAZ6-5<br>(V73197))<br>(OPT HL11VAZ6-5<br>(V92215))<br>(OPT HL11VAZ6-5<br>(V97928)) | C        | 1            |

55-40-13

 ILLUSTRATED PARTS LIST  
 01.1 Page 1060K  
 Nov 01/00

| FIG. & ITEM | PART NO.    | AIRLINE PART NUMBER | NOMENCLATURE<br>1234567   | EFF CODE | QTY PER ASSY |
|-------------|-------------|---------------------|---|----------|--------------|
| R 05-729    | HL97DU6     |                     | ...COLLAR-<br>(V73197)<br>(SPEC BACC30AB6S)<br>(OPT HL97DU6<br>(V92215))<br>(OPT HL97DU6<br>(V56878))<br>(OPT ITEM 729A)  | C        | 20           |
| R -729A     | KFN305C3    |                     | ...NUT-<br>(V15653)<br>(OPT ITEM 729)   | C        | 20           |
| R 731A      | BACB30UR3K4 |                     | ...BOLT   | C        | 18           |
| R 733A      | BACB30UR3R3 |                     | ...BOLT   | C        | 1            |
| R 735A      | BACB30UR3K5 |                     | ...BOLT   | C        | 1            |
| R 737       | 173T2053-42 |                     | ...SHIM   | C        | 2            |
|             |             |                     | -----*  |          |              |
| R 739A      | BRF200C3D   |                     | ...NUTPLATE-<br>(V52828)<br>(SPEC BACN10JR3CFD)<br>(OPT K51602-3BAC<br>(V15653))<br>(OPT NS202476-02<br>(V80539))<br>(OPT 102F9201-3<br>(V72962))<br>(OPT T8092C1032CD<br>(V11815)) | C        | 17           |
| R 741A      | NS202495-02 |                     | ...NUTPLATE-<br>(V80539)<br>(SPEC BACN10KE3DCD)<br>(OPT F51753-3CD<br>(V15653))<br>ATTACHING PARTS  | C        | 3            |

55-40-13

 ILLUSTRATED PARTS LIST  
 01.1 Page 1060L  
 Nov 01/00


**BOEING**  
 COMPONENT  
 MAINTENANCE MANUAL

| FIG. & ITEM | PART NO.   | AIRLINE PART NUMBER | NOMENCLATURE<br>1234567  | EFF CODE | QTY PER ASSY |
|-------------|------------|---------------------|--|----------|--------------|
| R 05-743    | AF5141-3-2 |                     | ...RIVET-<br>(V53551)<br>(SPEC BACR15DR3A2)<br>(OPT RV541A3-2<br>(V98996))<br>(OPT CCR264CS3-2TT<br>(V11815))<br>-----*  | C        | 40           |
| R 745       | 173T2030-1 |                     | ...RIB ASSY<br>ATTACHING PARTS   | C        | 1            |
| R 746       | HL11VAZ6-4 |                     | ...BOLT-<br>(V56878)<br>(SPEC BACB30NW6K4)<br>(OPT HL11V6-4<br>(V92215))<br>(OPT HL11V6-4<br>(V97928))<br>(OPT L803-6-4<br>(V06725))<br>(OPT B30NW6K4<br>(V97928))<br>(OPT HL11VAZ6-4<br>(V73197))<br>(OPT HL11VAZ6-4<br>(V92215))<br>(OPT HL11VAZ6-4<br>(V97928)) | C        | 17           |
| R 747A      | HL11RA6-3  |                     | ...BOLT-<br>(V56878)<br>(SPEC BACB30NW6R3)<br>(OPT HL11RA6-3<br>(V92215))<br>(OPT HL11RA6-3<br>(V97928))<br>(OPT L803-6R3<br>(V06725))<br>(OPT HL11RA6-3<br>(V73197))<br>(OPT B30NW6R3<br>(V97928))<br>(OPT HL11RA6-3<br>(V0PTK6))<br>(OPT HL11RA6-3<br>(V60516))  | C        | 1            |

55-40-13

 ILLUSTRATED PARTS LIST  
 01.1 Page 1060M  
 Nov 01/00

| FIG. & ITEM | PART NO.    | AIRLINE PART NUMBER | NOMENCLATURE<br>1234567  | EFF CODE | QTY PER ASSY |
|-------------|-------------|---------------------|--|----------|--------------|
| R 05-748    | HL11VAZ6-5  |                     | ...BOLT-<br>(V56878)<br>(SPEC BACB30NW6K5)<br>(OPT HL11V6-5<br>(V92215))<br>(OPT HL11V6-5<br>(V97928))<br>(OPT L803-6-5<br>(V06725))<br>(OPT B30NW6K5<br>(V97928))<br>(OPT HL11VAZ6-5<br>(V73197))<br>(OPT HL11VAZ6-5<br>(V92215))<br>(OPT HL11VAZ6-5<br>(V97928)) | C        | 1            |
| R 749       | HL97DU6     |                     | ...COLLAR-<br>(V73197)<br>(SPEC BACC30AB6S)<br>(OPT HL97DU6<br>(V92215))<br>(OPT HL97DU6<br>(V56878))<br>(OPT ITEM 749A)   | C        | 19           |
| R -749A     | KFN305C3    |                     | ...NUT-<br>(V15653)<br>(OPT ITEM 749)  | C        | 19           |
| R 750A      | BACB30UR3K4 |                     | ...BOLT  | C        | 17           |
| R 751A      | BACB30UR3R3 |                     | ...BOLT  | C        | 1            |
| R 752A      | BACB30UR3K5 |                     | ...BOLT  | C        | 1            |
| R 753       | 173T2053-42 |                     | ...SHIM<br>-----*-----   | C        | 2            |
| R 754A      | BRF200C3D   |                     | ...NUTPLATE-<br>(V52828)<br>(SPEC BACN10JR3CFD)<br>(OPT K51602-3BAC<br>(V15653))<br>(OPT NS202476-02<br>(V80539))<br>(OPT 102F9201-3<br>(V72962))<br>(OPT T8092C1032CD<br>(V11815))  | C        | 16           |

55-40-13

 ILLUSTRATED PARTS LIST  
 01.1 Page 1060N  
 Nov 01/00


**BOEING**  
 COMPONENT  
 MAINTENANCE MANUAL

| FIG. & ITEM | PART NO.    | AIRLINE PART NUMBER | NOMENCLATURE<br>1234567  | EFF CODE | QTY PER ASSY |
|-------------|-------------|---------------------|--|----------|--------------|
| R 05-755B   | NS202495-02 |                     | ...NUTPLATE-<br>(V80539)<br>(SPEC BACN10KE3DCD)<br>(OPT F51753-3CD<br>(V15653))<br>ATTACHING PARTS   | C        | 3            |
| R 756       | AF5141-3-2  |                     | ...RIVET-<br>(V53551)<br>(SPEC BACR15DR3A2)<br>(OPT RV541A3-2<br>(V98996))<br>(OPT CCR264CS3-2TT<br>(V11815))<br>-----*  | C        | 38           |
| R 757       | 173T2031-1  |                     | ...RIB ASSY<br>ATTACHING PARTS   | C        | 1            |
| R 759       | HL11VAZ6-7  |                     | ...BOLT-<br>(V56878)<br>(SPEC BACB30NW6K7)<br>(OPT HL11V6-7<br>(V92215))<br>(OPT HL11V6-7<br>(V97928))<br>(OPT L803-6-7<br>(V06725))<br>(OPT B30NW6K7<br>(V97928))<br>(OPT HL11VAZ6-7<br>(V73197))<br>(OPT HL11VAZ6-7<br>(V92215))<br>(OPT HL11VAZ6-7<br>(V97928)) | C        | 1            |

55-40-13

 ILLUSTRATED PARTS LIST  
 01.1 Page 10600  
 Nov 01/00



| FIG. & ITEM | PART NO.   | AIRLINE PART NUMBER | NOMENCLATURE<br>1234567  | EFF CODE | QTY PER ASSY |
|-------------|------------|---------------------|--|----------|--------------|
| R 05-761    | HL11VAZ6-5 |                     | ...BOLT-<br>(V56878)<br>(SPEC BACB30NW6K5)<br>(OPT HL11V6-5<br>(V92215))<br>(OPT HL11V6-5<br>(V97928))<br>(OPT L803-6-5<br>(V06725))<br>(OPT B30NW6K5<br>(V97928))<br>(OPT HL11VAZ6-5<br>(V73197))<br>(OPT HL11VAZ6-5<br>(V92215))<br>(OPT HL11VAZ6-5<br>(V97928)) | C        | 15           |
| R 762       | HL11RA6-5  |                     | ...BOLT-<br>(V56878)<br>(SPEC BACB30NW6R5)<br>(OPT HL11RA6-5<br>(V92215))<br>(OPT HL11RA6-5<br>(V97928))<br>(OPT L803-6R5<br>(V06725))<br>(OPT HL11RA6-5<br>(V73197))<br>(OPT B30NW6R5<br>(V97928))<br>(OPT HL11RA6-5<br>(VOPTK6))<br>(OPT HL11RA6-5<br>(V60516))  | C        | 2            |

# 55-40-13

 ILLUSTRATED PARTS LIST  
 01.1 Page 1060P  
 Nov 01/00


**BOEING**  
 COMPONENT  
 MAINTENANCE MANUAL

| FIG. & ITEM | PART NO.    | AIRLINE PART NUMBER | NOMENCLATURE<br>1234567  | EFF CODE | QTY PER ASSY |
|-------------|-------------|---------------------|--|----------|--------------|
| R 05-763    | HL97DU6     |                     | ...COLLAR-<br>(V73197)<br>(SPEC BACC30AB6S)<br>(OPT HL97DU6<br>(V92215))<br>(OPT HL97DU6<br>(V56878))<br>(OPT ITEM 763A)   | C        | 18           |
| R -763A     | KFN305C3    |                     | ...NUT-<br>(V15653)<br>(OPT ITEM 763)  | C        | 18           |
| R 765A      | BACB30UR3K7 |                     | ...BOLT  | C        | 1            |
| R 767A      | BACB30UR3K5 |                     | ...BOLT  | C        | 15           |
| R 767G      | BACB30UR3R5 |                     | ...BOLT  | C        | 2            |
| R 768       | 173T2053-42 |                     | ...SHIM<br>-----*  | C        | 2            |
| R 769A      | NS202495-02 |                     | ...NUTPLATE-<br>(V80539)<br>(SPEC BACN10KE3DCD)<br>(OPT F51753-3CD<br>(V15653))  | C        | 1            |
| R 771A      | BRF200C3D   |                     | ...NUTPLATE-<br>(V52828)<br>(SPEC BACN10JR3CFD)<br>(OPT K51602-3BAC<br>(V15653))<br>(OPT NS202476-02<br>(V80539))<br>(OPT 102F9201-3<br>(V72962))<br>(OPT T8092C1032CD<br>(V11815))<br>ATTACHING PARTS | C        | 17           |

55-40-13

 ILLUSTRATED PARTS LIST  
 01.1 Page 1060Q  
 Nov 01/00

| FIG. & ITEM | PART NO.   | AIRLINE PART NUMBER | NOMENCLATURE<br>1234567  | EFF CODE | QTY PER ASSY |
|-------------|------------|---------------------|--|----------|--------------|
| R 05-773    | AF5141-3-2 |                     | ...RIVET-<br>(V53551)<br>(SPEC BACR15DR3A2)<br>(OPT RV541A3-2<br>(V98996))<br>(OPT CCR264CS3-2TT<br>(V11815))<br>-----*  | C        | 36           |
| R 779       | 173T2032-1 |                     | ...RIB ASSY<br>ATTACHING PARTS   | C        | 1            |
| R 783       | HL11VAZ6-3 |                     | ...BOLT-<br>(V56878)<br>(SPEC BACB30NW6K3)<br>(OPT B30NW6K3<br>(V97928))<br>(OPT HL11VAZ6-3<br>(V73197))<br>(OPT HL11VAZ6-3<br>(V92215))<br>(OPT HL11VAZ6-3<br>(V97928))<br>(OPT L803-6K3<br>(V06725))<br>(OPT HL11VAZ6-3<br>(VOPTK6))<br>(OPT HL11VAZ6-3<br>(V60516)) | C        | 11           |
| R 784       | HL11RA6-3  |                     | ...BOLT-<br>(V56878)<br>(SPEC BACB30NW6R3)<br>(OPT HL11RA6-3<br>(V92215))<br>(OPT HL11RA6-3<br>(V97928))<br>(OPT L803-6R3<br>(V06725))<br>(OPT HL11RA6-3<br>(V73197))<br>(OPT B30NW6R3<br>(V97928))<br>(OPT HL11RA6-3<br>(VOPTK6))<br>(OPT HL11RA6-3<br>(V60516))      | C        | 2            |

55-40-13

 ILLUSTRATED PARTS LIST  
 01.1 Page 1060R  
 Nov 01/00


**BOEING**  
 COMPONENT  
 MAINTENANCE MANUAL

| FIG. & ITEM | PART NO.    | AIRLINE PART NUMBER | NOMENCLATURE<br>1234567  | EFF CODE | QTY PER ASSY |
|-------------|-------------|---------------------|--|----------|--------------|
| R 05-785    | HL11VAZ6-5  |                     | ...BOLT-<br>(V56878)<br>(SPEC BACB30NW6K5)<br>(OPT HL11V6-5<br>(V92215))<br>(OPT HL11V6-5<br>(V97928))<br>(OPT L803-6-5<br>(V06725))<br>(OPT B30NW6K5<br>(V97928))<br>(OPT HL11VAZ6-5<br>(V73197))<br>(OPT HL11VAZ6-5<br>(V92215))<br>(OPT HL11VAZ6-5<br>(V97928)) | C        | 1            |
| R 787       | HL97DU6     |                     | ...COLLAR-<br>(V73197)<br>(SPEC BACC30AB6S)<br>(OPT HL97DU6<br>(V92215))<br>(OPT HL97DU6<br>(V56878))<br>(OPT ITEM 787A)   | C        | 14           |
| R -787A     | KFN305C3    |                     | ...NUT-<br>(V15653)<br>(OPT ITEM 787)  | C        | 14           |
| R 789A      | BACB30UR3K3 |                     | ...BOLT  | C        | 11           |
| R 790       | BACB30UR3R3 |                     | ...BOLT  | C        | 2            |
| R 791A      | BACB30UR3K5 |                     | ...BOLT  | C        | 1            |
| R 793       | 173T2053-42 |                     | ...SHIM<br>-----*  | C        | 2            |
| R 795A      | BRF200C3D   |                     | ...NUTPLATE-<br>(V52828)<br>(SPEC BACN10JR3CFD)<br>(OPT K51602-3BAC<br>(V15653))<br>(OPT NS202476-02<br>(V80539))<br>(OPT 102F9201-3<br>(V72962))<br>(OPT T8092C1032CD<br>(V11815))  | C        | 11           |

55-40-13

 ILLUSTRATED PARTS LIST  
 01.1 Page 1060S  
 Nov 01/00

| FIG. & ITEM | PART NO.    | AIRLINE PART NUMBER | NOMENCLATURE<br>1234567  | EFF CODE | QTY PER ASSY |
|-------------|-------------|---------------------|--|----------|--------------|
| R 05-797A   | NS202495-02 |                     | ...NUTPLATE-<br>(V80539)<br>(SPEC BACN10KE3DCD)<br>(OPT F51753-3CD<br>(V15653))<br>ATTACHING PARTS   | C        | 3            |
| R 799       | AF5141-3-2  |                     | ...RIVET-<br>(V53551)<br>(SPEC BACR15DR3A2)<br>(OPT RV541A3-2<br>(V98996))<br>(OPT CCR264CS3-2TT<br>(V11815))<br>-----*  | C        | 28           |
| R -801      | 173T2005-1  |                     | ...SPAR INSTL-REAR<br>ATTACHING PARTS  | C        | 1            |
| R 803       | HL11VAZ6-3  |                     | ...BOLT-<br>(V56878)<br>(SPEC BACB30NW6K3)<br>(OPT B30NW6K3<br>(V97928))<br>(OPT HL11VAZ6-3<br>(V73197))<br>(OPT HL11VAZ6-3<br>(V92215))<br>(OPT HL11VAZ6-3<br>(V97928))<br>(OPT L803-6K3<br>(V06725))<br>(OPT HL11VAZ6-3<br>(V0PTK6))<br>(OPT HL11VAZ6-3<br>(V60516)) | C        | 250          |

# 55-40-13

 ILLUSTRATED PARTS LIST  
 01.1 Page 1060T  
 Nov 01/00


**BOEING**  
 COMPONENT  
 MAINTENANCE MANUAL

| FIG. & ITEM | PART NO.    | AIRLINE PART NUMBER | NOMENCLATURE<br>1234567  | EFF CODE | QTY PER ASSY |
|-------------|-------------|---------------------|--|----------|--------------|
| R 05-804    | HL11VAZ6-5  |                     | ...BOLT-<br>(V56878)<br>(SPEC BACB30NW6K5)<br>(OPT HL11V6-5<br>(V92215))<br>(OPT HL11V6-5<br>(V97928))<br>(OPT L803-6-5<br>(V06725))<br>(OPT B30NW6K5<br>(V97928))<br>(OPT HL11VAZ6-5<br>(V73197))<br>(OPT HL11VAZ6-5<br>(V92215))<br>(OPT HL11VAZ6-5<br>(V97928)) | C        | 11           |
| R 805       | HL97DU6     |                     | ...COLLAR-<br>(V73197)<br>(SPEC BACC30AB6S)<br>(OPT HL97DU6<br>(V92215))<br>(OPT HL97DU6<br>(V56878))<br>(OPT ITEM 805A)   | C        | 261          |
| R -805A     | KFN305C3    |                     | ...NUT-<br>(V15653)<br>(OPT ITEM 805)  | C        | 261          |
| R 807A      | BACB30UR3K3 |                     | ...BOLT  | C        | 250          |
| R 808A      | BACB30UR3K5 |                     | ...BOLT  | C        | 11           |
| R 809       | 173T2053-39 |                     | ...SHIM  | C        | 4            |
| R 811       | 173T2053-40 |                     | ...SHIM  | C        | 4            |
| R 813A      | BRF200C3D   |                     | ...NUTPLATE-<br>(V52828)<br>(SPEC BACN10JR3CFD)<br>(OPT K51602-3BAC<br>(V15653))<br>(OPT NS202476-02<br>(V80539))<br>(OPT 102F9201-3<br>(V72962))<br>(OPT T8092C1032CD<br>(V11815))  | C        | 261          |

55-40-13

 ILLUSTRATED PARTS LIST  
 01.1 Page 1060U  
 Nov 01/00

| FIG. & ITEM | PART NO.    | AIRLINE PART NUMBER | NOMENCLATURE<br>1234567   | EFF CODE | QTY PER ASSY |
|-------------|-------------|---------------------|---|----------|--------------|
| R 05-815    | AF5141-3-2  |                     | ...RIVET-<br>(V53551)<br>(SPEC BACR15DR3A2)<br>(OPT RV541A3-2<br>(V98996))<br>(OPT CCR264CS3-2TT<br>(V11815))<br>-----*   | C        | 522          |
| R 817       | 173T2025-15 |                     | ....RIB-LWR CLOSURE<br>ATTACHING PARTS  | C        | 1            |
| R 819       | HL11VAZ6-3  |                     | ....BOLT-<br>(V56878)<br>(SPEC BACB30NW6K3)<br>(OPT B30NW6K3<br>(V97928))<br>(OPT HL11VAZ6-3<br>(V73197))<br>(OPT HL11VAZ6-3<br>(V92215))<br>(OPT HL11VAZ6-3<br>(V97928))<br>(OPT L803-6K3<br>(V06725))<br>(OPT HL11VAZ6-3<br>(V0PTK6))<br>(OPT HL11VAZ6-3<br>(V60516)) | C        | 5            |
| R 821       | BACB30MY6K3 |                     | ....BOLT  | C        | 5            |
| R 823       | HL97DU6     |                     | ....COLLAR-<br>(V73197)<br>(SPEC BACC30AB6S)<br>(OPT HL97DU6<br>(V92215))<br>(OPT HL97DU6<br>(V56878))<br>-----*  | C        | 10           |

55-40-13

 ILLUSTRATED PARTS LIST  
 01.1 Page 1060V  
 Nov 01/00


**BOEING**  
 COMPONENT  
 MAINTENANCE MANUAL

| FIG. & ITEM | PART NO.    | AIRLINE PART NUMBER | NOMENCLATURE<br>1234567   | EFF CODE | QTY PER ASSY |
|-------------|-------------|---------------------|---|----------|--------------|
| R 05-825    | 173T2025-16 |                     | ....RIB-FWD<br>ATTACHING PARTS  | C        | 1            |
| R 827       | BACB30MY6K3 |                     | ....BOLT  | C        | 10           |
| R 829       | HL97DU6     |                     | ....COLLAR-<br>(V73197)<br>(SPEC BACC30AB6S)<br>(OPT HL97DU6<br>(V92215))<br>(OPT HL97DU6<br>(V56878))<br>-----*----- | C        | 10           |
| R 831       | 173T2025-17 |                     | ....RIB-FWD   | C        | 1            |
| R 833       | 173T2025-18 |                     | ....RIB-AFT<br>ATTACHING PARTS  | C        | 1            |
| R 835       | BACB30MY6K4 |                     | ....BOLT  | C        | 5            |
| R 837       | BACB30MY6K3 |                     | ....BOLT  | C        | 10           |
| R 839       | HL97DU6     |                     | ....COLLAR-<br>(V73197)<br>(SPEC BACC30AB6S)<br>(OPT HL97DU6<br>(V92215))<br>(OPT HL97DU6<br>(V56878))<br>-----*----- | C        | 15           |
| R 841       | 173T2025-19 |                     | ....RIB-FWD<br>ATTACHING PARTS  | C        | 1            |
| R 843       | BACB30MY6K3 |                     | ....BOLT  | C        | 8            |
| R 845       | HL97DU6     |                     | ....COLLAR-<br>(V73197)<br>(SPEC BACC30AB6S)<br>(OPT HL97DU6<br>(V92215))<br>(OPT HL97DU6<br>(V56878))<br>-----*----- | C        | 8            |

55-40-13

 ILLUSTRATED PARTS LIST  
 01.1 Page 1060W  
 Nov 01/00



| FIG. & ITEM | PART NO.    | AIRLINE PART NUMBER | NOMENCLATURE<br>1234567  | EFF CODE | QTY PER ASSY |
|-------------|-------------|---------------------|--|----------|--------------|
| 05-         |             |                     |  |          |              |
| R 847       | 173T2025-20 |                     | ....RIB-FWD  | C        | 1            |
| R 849       | 173T2025-21 |                     | ....RIB-AFT  | C        | 1            |
|             |             |                     | ATTACHING PARTS  |          |              |
| R 851       | BACB30MY6K4 |                     | ....BOLT   | C        | 4            |
| R 853       | BACB30MY6K3 |                     | ....BOLT   | C        | 8            |
| R 855       | HL97DU6     |                     | ....COLLAR-<br>(V73197)<br>(SPEC BACC30AB6S)<br>(OPT HL97DU6<br>(V92215))<br>(OPT HL97DU6<br>(V56878))<br>-----* | C        | 12           |
| R 857       | 173T2025-22 |                     | ....RIB-FWD  | C        | 1            |
| R 859       | 173T2025-23 |                     | ....RIB-AFT  | C        | 1            |
|             |             |                     | ATTACHING PARTS  |          |              |
| R 861       | BACB30MY6K4 |                     | ....BOLT   | C        | 3            |
| R 863       | BACB30MY6K3 |                     | ....BOLT   | C        | 6            |
| R 865       | HL97DU6     |                     | ....COLLAR-<br>(V73197)<br>(SPEC BACC30AB6S)<br>(OPT HL97DU6<br>(V92215))<br>(OPT HL97DU6<br>(V56878))<br>-----* | C        | 9            |
| R 867       | 173T2025-24 |                     | ....RIB-FWD  | C        | 1            |
| R 869       | 173T2025-25 |                     | ....RIB-AFT  | C        | 1            |
|             |             |                     | ATTACHING PARTS  |          |              |
| R 871       | BACB30MY6K4 |                     | ....BOLT   | C        | 3            |
| R 873       | BACB30MY6K3 |                     | ....BOLT   | C        | 6            |

55-40-13

 ILLUSTRATED PARTS LIST  
 01.1 Page 1060X  
 Nov 01/00

**BOEING**  
 COMPONENT  
 MAINTENANCE MANUAL

| FIG. & ITEM | PART NO.    | AIRLINE PART NUMBER | NOMENCLATURE<br>1234567   | EFF CODE | QTY PER ASSY |
|-------------|-------------|---------------------|---|----------|--------------|
| R 05-875    | HL97DU6     |                     | ....COLLAR-<br>(V73197)<br>(SPEC BACC30AB6S)<br>(OPT HL97DU6<br>(V92215))<br>(OPT HL97DU6<br>(V56878))<br>-----*----- | C        | 9            |
| R 877       | 173T2025-26 |                     | ....RIB<br>ATTACHING PARTS  | C        | 1            |
| R 879       | BACB30MY6K3 |                     | ....BOLT  | C        | 4            |
| R 881       | HL97DU6     |                     | ....COLLAR-<br>(V73197)<br>(SPEC BACC30AB6S)<br>(OPT HL97DU6<br>(V92215))<br>(OPT HL97DU6<br>(V56878))<br>-----*----- | C        | 4            |
| R 883       | BACB30MY6K3 |                     | ....BOLT  | C        | 2            |
| R 885       | HL97DU6     |                     | ....COLLAR-<br>(V73197)<br>(SPEC BACC30AB6S)<br>(OPT HL97DU6<br>(V92215))<br>(OPT HL97DU6<br>(V56878))                | C        | 2            |

**55-40-13**

ILLUSTRATED PARTS LIST  
 01.1 Page 1060Y  
 Nov 01/00

| FIG. & ITEM | PART NO. | AIRLINE PART NUMBER | NOMENCLATURE<br>1234567  | EFF CODE | QTY PER ASSY |
|-------------|----------|---------------------|--|----------|--------------|
|             | 05-      |                     |  |          |              |
| R           | 887      | 173T2015-1          | ....BOND ASSY  | C        | 1            |
| R           | 889      | 173T2025-27         | ...CHANNEL<br>ATTACHING PARTS  | C        | 1            |
| R           | 890      | HL11VAZ8-5          | ...BOLT-<br>(V56878)<br>(SPEC BACB30NW8K5)<br>(OPT B30NW8K5<br>(V97928))<br>(OPT HL11VAZ8-5<br>(V73197))<br>(OPT HL11VAZ8-5<br>(V92215))<br>(OPT HL11VAZ8-5<br>(V97928))<br>(OPT L803-8K5<br>(V06725))<br>(OPT HL11VAZ8-5<br>(V0PTK6))<br>(OPT HL11VAZ8-5<br>(V60516)) | C        | 4            |
| R           | 891      | HL97DU8             | ...COLLAR-<br>(V73197)<br>(SPEC BACC30AB8S)<br>(OPT HL97DU8<br>(V92215))<br>(OPT HL97DU8<br>(V56878))  | C        | 4            |
| R           | 892      | 173T2053-76         | ...SHIM<br>-----*  | C        | 2            |
| R           | 893      | MILP15035           | ...SHIM  | C        | AR           |
| R           | 894      | 173T2028-2          | ...RIB ASSY  | C        | 1            |

55-40-13

 ILLUSTRATED PARTS LIST  
 01.1 Page 1060Z  
 Nov 01/00


**BOEING**  
 COMPONENT  
 MAINTENANCE MANUAL

| FIG. & ITEM | PART NO.   | AIRLINE PART NUMBER | NOMENCLATURE<br>1234567   | EFF CODE | QTY PER ASSY |
|-------------|------------|---------------------|---|----------|--------------|
| R 05-895    | HL11VAZ6-3 |                     | ATTACHING PARTS<br>...BOLT-<br>(V56878)<br>(SPEC BACB30NW6K3)<br>(OPT B30NW6K3<br>(V97928))<br>(OPT HL11VAZ6-3<br>(V73197))<br>(OPT HL11VAZ6-3<br>(V92215))<br>(OPT HL11VAZ6-3<br>(V97928))<br>(OPT L803-6K3<br>(V06725))<br>(OPT HL11VAZ6-3<br>(VOPTK6))<br>(OPT HL11VAZ6-3<br>(V60516)) | C        | 17           |
| R 895G      | HL11RA6-3  |                     | ...BOLT-<br>(V56878)<br>(SPEC BACB30NW6R3)<br>(OPT HL11RA6-3<br>(V92215))<br>(OPT HL11RA6-3<br>(V97928))<br>(OPT L803-6R3<br>(V06725))<br>(OPT HL11RA6-3<br>(V73197))<br>(OPT B30NW6R3<br>(V97928))<br>(OPT HL11RA6-3<br>(VOPTK6))<br>(OPT HL11RA6-3<br>(V60516))                         | C        | 2            |

55-40-13

 ILLUSTRATED PARTS LIST  
 01.1 Page 1061  
 Nov 01/00

| FIG. & ITEM | PART NO.    | AIRLINE PART NUMBER | NOMENCLATURE<br>1234567   | EFF CODE | QTY PER ASSY |
|-------------|-------------|---------------------|---|----------|--------------|
| R 05-896    | HL97DU6     |                     | ...COLLAR-<br>(V73197)<br>(SPEC BACC30AB6S)<br>(OPT HL97DU6<br>(V92215))<br>(OPT HL97DU6<br>(V56878))<br>(OPT ITEM 896A)  | C        | 19           |
| R -896A     | KFN305C3    |                     | ...NUT-<br>(V15653)<br>(OPT ITEM 896)   | C        | 19           |
| R 897A      | BACB30UR3K3 |                     | ...BOLT   | C        | 17           |
| R 897G      | BACB30UR3R3 |                     | ...BOLT   | C        | 2            |
| R 898A      | NS202495-02 |                     | -----*-----<br>...NUTPLATE-<br>(V80539)<br>(SPEC BACN10KE3DCD)<br>(OPT F51753-3CD<br>(V15653))  | C        | 1            |
| R 899A      | BRF200C3D   |                     | ...NUTPLATE-<br>(V52828)<br>(SPEC BACN10JR3CFD)<br>(OPT K51602-3BAC<br>(V15653))<br>(OPT NS202476-02<br>(V80539))<br>(OPT 102F9201-3<br>(V72962))<br>(OPT T8092C1032CD<br>(V11815)) | C        | 18           |
| R 901       | AF5141-3-2  |                     | ATTACHING PARTS<br>...RIVET-<br>(V53551)<br>(SPEC BACR15DR3A2)<br>(OPT RV541A3-2<br>(V98996))<br>(OPT CCR264CS3-2TT<br>(V11815))<br>-----*-----                                     | C        | 38           |
| R 903       | 173T2030-2  |                     | ...RIB ASSY   | C        | 1            |

55-40-13

 ILLUSTRATED PARTS LIST  
 01.1 Page 1062  
 Nov 01/00


**BOEING**  
 COMPONENT  
 MAINTENANCE MANUAL

| FIG. & ITEM  | PART NO.   | AIRLINE PART NUMBER | NOMENCLATURE<br>1234567   | EFF CODE | QTY PER ASSY |
|--------------|------------|---------------------|---|----------|--------------|
| R 05-<br>905 | HL11VAZ6-3 |                     | ATTACHING PARTS<br>...BOLT-<br>(V56878)<br>(SPEC BACB30NW6K3)<br>(OPT B30NW6K3<br>(V97928))<br>(OPT HL11VAZ6-3<br>(V73197))<br>(OPT HL11VAZ6-3<br>(V92215))<br>(OPT HL11VAZ6-3<br>(V97928))<br>(OPT L803-6K3<br>(V06725))<br>(OPT HL11VAZ6-3<br>(V0PTK6))<br>(OPT HL11VAZ6-3<br>(V60516)) | C        | 17           |
| R 906        | HL11RA6-3  |                     | ...BOLT-<br>(V56878)<br>(SPEC BACB30NW6R3)<br>(OPT HL11RA6-3<br>(V92215))<br>(OPT HL11RA6-3<br>(V97928))<br>(OPT L803-6R3<br>(V06725))<br>(OPT HL11RA6-3<br>(V73197))<br>(OPT B30NW6R3<br>(V97928))<br>(OPT HL11RA6-3<br>(V0PTK6))<br>(OPT HL11RA6-3<br>(V60516))                         | C        | 2            |
| R 907        | HL97DU6    |                     | ...COLLAR-<br>(V73197)<br>(SPEC BACC30AB6S)<br>(OPT HL97DU6<br>(V92215))<br>(OPT HL97DU6<br>(V56878))<br>(OPT ITEM 907A)  | C        | 19           |

55-40-13

 ILLUSTRATED PARTS LIST  
 01.1 Page 1062A  
 Nov 01/00

| FIG. & ITEM    | PART NO.    | AIRLINE PART NUMBER | NOMENCLATURE<br>1234567  | EFF CODE | QTY PER ASSY |
|----------------|-------------|---------------------|--|----------|--------------|
| R 05-<br>-907A | KFN305C3    |                     | ...NUT-<br>(V15653)<br>(OPT ITEM 907)  | C        | 19           |
| R 909A         | BACB30UR3K3 |                     | ...BOLT  | C        | 17           |
| R 910          | BACB30UR3R3 |                     | ...BOLT<br>-----*-----   | C        | 2            |
| R 911A         | NS202495-02 |                     | ...NUTPLATE-<br>(V80539)<br>(SPEC BACN10KE3DCD)<br>(OPT F51753-3CD<br>(V15653))  | C        | 1            |
| R 913A         | BRF200C3D   |                     | ...NUTPLATE-<br>(V52828)<br>(SPEC BACN10JR3CFD)<br>(OPT K51602-3BAC<br>(V15653))<br>(OPT NS202476-02<br>(V80539))<br>(OPT 102F9201-3<br>(V72962))<br>(OPT T8092C1032CD<br>(V11815))<br>ATTACHING PARTS | C        | 18           |
| R 915          | AF5141-3-2  |                     | ...RIVET-<br>(V53551)<br>(SPEC BACR15DR3A2)<br>(OPT RV541A3-2<br>(V98996))<br>(OPT CCR264CS3-2TT<br>(V11815))<br>-----*-----   | C        | 38           |

# 55-40-13

 ILLUSTRATED PARTS LIST  
 01.1 Page 1062B  
 Nov 01/00


**BOEING**  
 COMPONENT  
 MAINTENANCE MANUAL

| FIG. & ITEM | PART NO.   | AIRLINE PART NUMBER | NOMENCLATURE<br>1234567  | EFF CODE | QTY PER ASSY |
|-------------|------------|---------------------|--|----------|--------------|
| R 05-916    | 173T2032-2 |                     | ...RIB ASSY<br>ATTACHING PARTS   | C        | 1            |
| R 917       | HL11VAZ6-3 |                     | ...BOLT-<br>(V56878)<br>(SPEC BACB30NW6K3)<br>(OPT B30NW6K3<br>(V97928))<br>(OPT HL11VAZ6-3<br>(V73197))<br>(OPT HL11VAZ6-3<br>(V92215))<br>(OPT HL11VAZ6-3<br>(V97928))<br>(OPT L803-6K3<br>(V06725))<br>(OPT HL11VAZ6-3<br>(VOPTK6))<br>(OPT HL11VAZ6-3<br>(V60516)) | C        | 9            |
| R 917G      | HL11RA6-3  |                     | ...BOLT-<br>(V56878)<br>(SPEC BACB30NW6R3)<br>(OPT HL11RA6-3<br>(V92215))<br>(OPT HL11RA6-3<br>(V97928))<br>(OPT L803-6R3<br>(V06725))<br>(OPT HL11RA6-3<br>(V73197))<br>(OPT B30NW6R3<br>(V97928))<br>(OPT HL11RA6-3<br>(VOPTK6))<br>(OPT HL11RA6-3<br>(V60516))      | C        | 2            |

55-40-13

 ILLUSTRATED PARTS LIST  
 01.1 Page 1062C  
 Nov 01/00



| FIG. & ITEM | PART NO.    | AIRLINE PART NUMBER | NOMENCLATURE<br>1234567  | EFF CODE | QTY PER ASSY |
|-------------|-------------|---------------------|--|----------|--------------|
| R 05-918    | HL97DU6     |                     | ...COLLAR-<br>(V73197)<br>(SPEC BACC30AB6S)<br>(OPT HL97DU6<br>(V92215))<br>(OPT HL97DU6<br>(V56878))<br>(OPT ITEM 918A)   | C        | 11           |
| R -918A     | KFN305C3    |                     | ...NUT-<br>(V15653)<br>(OPT ITEM 918)  | C        | 11           |
| R 919A      | BACB30UR3K3 |                     | ...BOLT  | C        | 9            |
| R 919G      | BACB30UR3R3 |                     | ...BOLT  | C        | 2            |
| R 920A      | NS202495-02 |                     | -----*-----<br>...NUTPLATE-<br>(V80539)<br>(SPEC BACN10KE3DCD)<br>(OPT F51753-3CD<br>(V15653))   | C        | 1            |
| R 921A      | BRF200C3D   |                     | ...NUTPLATE-<br>(V52828)<br>(SPEC BACN10JR3CFD)<br>(OPT K51602-3BAC<br>(V15653))<br>(OPT NS202476-02<br>(V80539))<br>(OPT 102F9201-3<br>(V72962))<br>(OPT T8092C1032CD<br>(V11815))<br>ATTACHING PARTS | C        | 10           |

# 55-40-13

 ILLUSTRATED PARTS LIST  
 01.1 Page 1062D  
 Nov 01/00


**BOEING**  
 COMPONENT  
 MAINTENANCE MANUAL

| FIG. & ITEM | PART NO.   | AIRLINE PART NUMBER | NOMENCLATURE<br>1234567  | EFF CODE | QTY PER ASSY |
|-------------|------------|---------------------|--|----------|--------------|
| R 05-922    | AF5141-3-2 |                     | ...RIVET-<br>(V53551)<br>(SPEC BACR15DR3A2)<br>(OPT RV541A3-2<br>(V98996))<br>(OPT CCR264CS3-2TT<br>(V11815))<br>-----*  | C        | 22           |
| R 923       | 173T2031-2 |                     | ...RIB ASSY<br>ATTACHING PARTS   | C        | 1            |
| R 924       | HL11VAZ6-5 |                     | ...BOLT-<br>(V56878)<br>(SPEC BACB30NW6K5)<br>(OPT HL11V6-5<br>(V92215))<br>(OPT HL11V6-5<br>(V97928))<br>(OPT L803-6-5<br>(V06725))<br>(OPT B30NW6K5<br>(V97928))<br>(OPT HL11VAZ6-5<br>(V73197))<br>(OPT HL11VAZ6-5<br>(V92215))<br>(OPT HL11VAZ6-5<br>(V97928)) | C        | 14           |
| R 924G      | HL11RA6-5  |                     | ...BOLT-<br>(V56878)<br>(SPEC BACB30NW6R5)<br>(OPT HL11RA6-5<br>(V92215))<br>(OPT HL11RA6-5<br>(V97928))<br>(OPT L803-6R5<br>(V06725))<br>(OPT HL11RA6-5<br>(V73197))<br>(OPT B30NW6R5<br>(V97928))<br>(OPT HL11RA6-5<br>(V0PTK6))<br>(OPT HL11RA6-5<br>(V60516))  | C        | 2            |

55-40-13

 ILLUSTRATED PARTS LIST  
 01.1 Page 1062E  
 Nov 01/00

| FIG. & ITEM | PART NO.    | AIRLINE PART NUMBER | NOMENCLATURE<br>1234567  | EFF CODE | QTY PER ASSY |
|-------------|-------------|---------------------|--|----------|--------------|
| R 05-925    | HL97DU6     |                     | ...COLLAR-<br>(V73197)<br>(SPEC BACC30AB6S)<br>(OPT HL97DU6<br>(V92215))<br>(OPT HL97DU6<br>(V56878))<br>(OPT ITEM 925A)   | C        | 16           |
| R -925A     | KFN305C3    |                     | ...NUT-<br>(V15653)<br>(OPT ITEM 925)  | C        | 16           |
| R 926A      | BACB30UR3K5 |                     | ...BOLT  | C        | 14           |
| R 926G      | BACB30UR3R5 |                     | ...BOLT<br>-----*-----   | C        | 2            |
| R 928A      | BRF200C3D   |                     | ...NUTPLATE-<br>(V52828)<br>(SPEC BACN10JR3CFD)<br>(OPT K51602-3BAC<br>(V15653))<br>(OPT NS202476-02<br>(V80539))<br>(OPT 102F9201-3<br>(V72962))<br>(OPT T8092C1032CD<br>(V11815))<br>ATTACHING PARTS | C        | 16           |
| R 929       | AF5141-3-2  |                     | ...RIVET-<br>(V53551)<br>(SPEC BACR15DR3A2)<br>(OPT RV541A3-2<br>(V98996))<br>(OPT CCR264CS3-2TT<br>(V11815))<br>-----*-----   | C        | 32           |

55-40-13

 ILLUSTRATED PARTS LIST  
 01.1 Page 1062F  
 Nov 01/00


**BOEING**  
 COMPONENT  
 MAINTENANCE MANUAL

| FIG. & ITEM | PART NO.    | AIRLINE PART NUMBER | NOMENCLATURE<br>1234567  | EFF CODE | QTY PER ASSY |
|-------------|-------------|---------------------|--|----------|--------------|
| 05-         |             |                     |  |          |              |
| R 933       | 173T2050-1  |                     | ...PLATE   | C        | 1            |
| R 935       | 173T2050-2  |                     | ...PLATE   | C        | 1            |
| R 937       | 173T2051-1  |                     | ...FILLER<br>ATTACHING PARTS   | C        | 1            |
| R 939       | BACR15CE6AD |                     | ...RIVET-<br>(SIZE DETERMINE ON INST)  | C        | 8            |
| R 941       | BACR15CE5AD |                     | ...RIVET-<br>(SIZE DETERMINE ON INST)<br>-----*-----   | C        | 6            |
| R 947       | 173T2004-3  |                     | ...BOND ASSY-SPLICE PLATE  | C        | 1            |
| R 949       | 173T2004-4  |                     | ...BOND ASSY-SPLICE PLATE<br>ATTACHING PARTS   | C        | 1            |
| R 951       | HL11VAZ6-4  |                     | ...BOLT-<br>(V56878)<br>(SPEC BACB30NW6K4)<br>(OPT HL11V6-4<br>(V92215))<br>(OPT HL11V6-4<br>(V97928))<br>(OPT L803-6-4<br>(V06725))<br>(OPT B30NW6K4<br>(V97928))<br>(OPT HL11VAZ6-4<br>(V73197))<br>(OPT HL11VAZ6-4<br>(V92215))<br>(OPT HL11VAZ6-4<br>(V97928)) | C        | 189          |

55-40-13

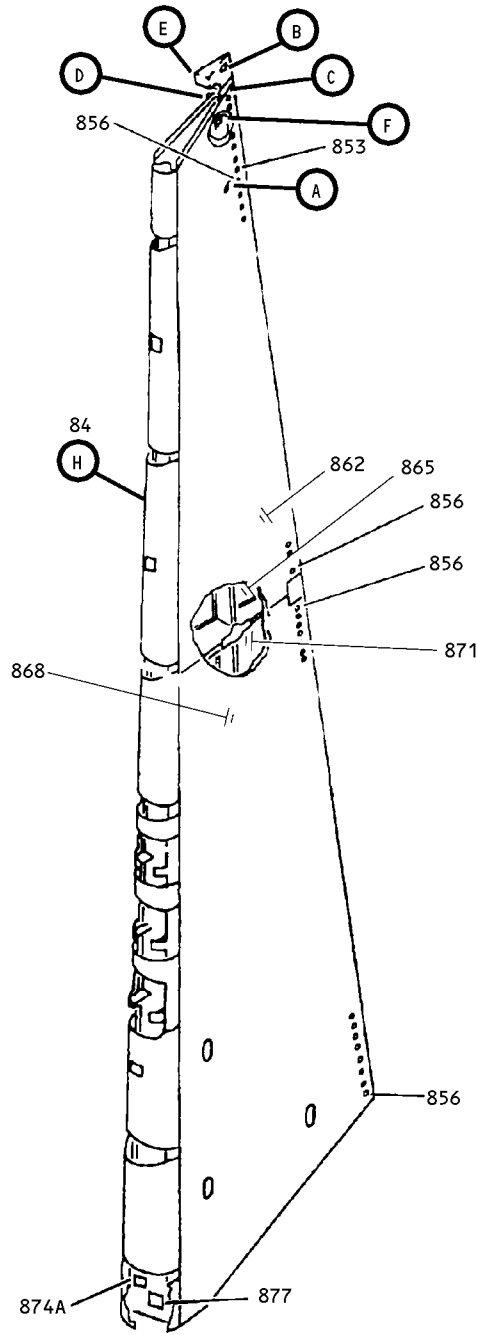
 ILLUSTRATED PARTS LIST  
 01.1 Page 1062G  
 Nov 01/00

| FIG. & ITEM | PART NO.     | AIRLINE PART NUMBER | NOMENCLATURE<br>1234567   | EFF CODE | QTY PER ASSY |
|-------------|--------------|---------------------|---|----------|--------------|
| R 05-953    | HL97DU6      |                     | ...COLLAR-<br>(V73197)<br>(SPEC BACC30AB6S)<br>(OPT HL97DU6<br>(V92215))<br>(OPT HL97DU6<br>(V56878))<br>(OPT ITEM 953A)  | C        | 189          |
| R -953A     | KFN305C3     |                     | ...NUT-<br>(V15653)<br>(OPT ITEM 953)   | C        | 189          |
| R 955A      | BACB30UR3K4  |                     | ...BOLT   | C        | 41           |
| R 957A      | BRF200C3D    |                     | ...NUTPLATE-<br>(V52828)<br>(SPEC BACN10JR3CFD)<br>(OPT K51602-3BAC<br>(V15653))<br>(OPT NS202476-02<br>(V80539))<br>(OPT 102F9201-3<br>(V72962))<br>(OPT T8092C1032CD<br>(V11815)) | C        | 41           |
| R 959       | AF5141-3-2   |                     | ...RIVET-<br>(V53551)<br>(SPEC BACR15DR3A2)<br>(OPT RV541A3-2<br>(V98996))<br>(OPT CCR264CS3-2TT<br>(V11815))<br>-----*   | C        | 82           |
| R 960       | BACR15FT5AD  |                     | ...RIVET  | C        | 7            |
| R 961       | BACR15GA5-5  |                     | ...RIVET  | C        | 410          |
| R 962       | 173T2053-47  |                     | ...SHIM   | C        | 1            |
| R 963       | 173T2004-19  |                     | ...BOND ASSY-PANEL UPR  | C        | 1            |
| R 965       | 173T2004-20  |                     | ...BOND ASSY-PANEL UPR  | C        | 1            |
| R 967       | 173T2003-1   |                     | ...BOND ASSY-PANEL LWR  | C        | 1            |
| R 969       | 173T2003-2   |                     | ...BOND ASSY-PANEL LWR  | C        | 1            |
| R 971       | MS27253PS    |                     | ...PLATE  | C        | 1            |
| R 973       | BAC27TWG0001 |                     | ...MARKER   | C        | 1            |

- Item Not Illustrated

55-40-13

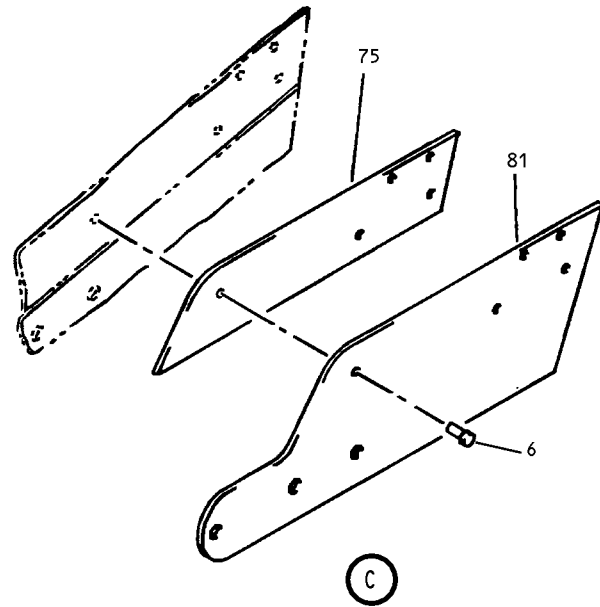
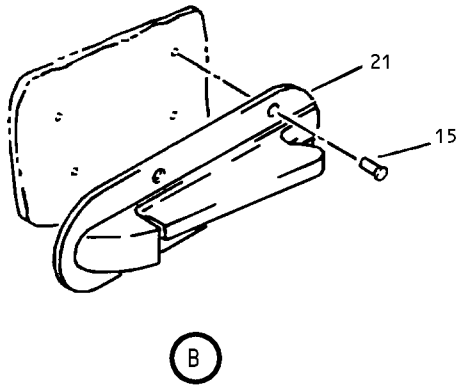
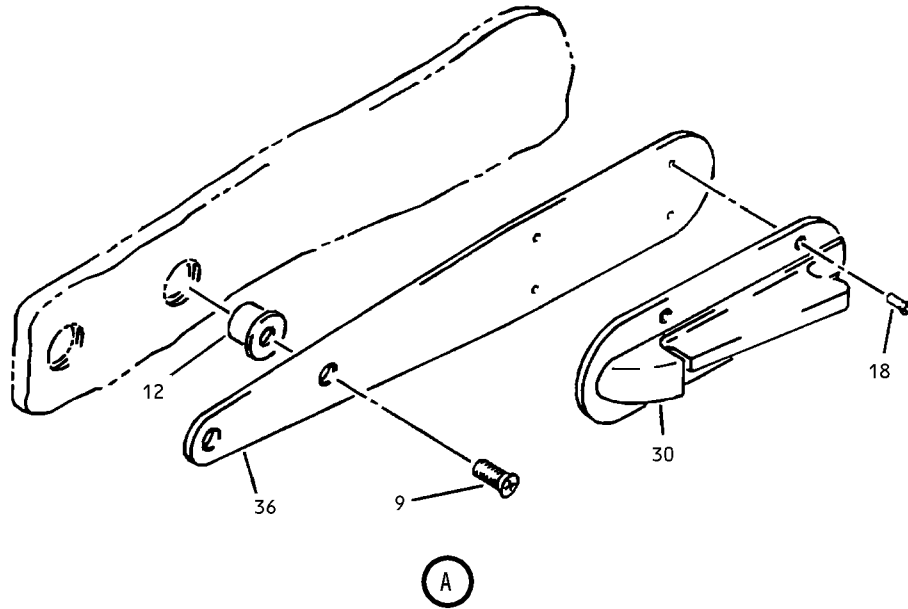
ILLUSTRATED PARTS LIST  
01.1 Page 1062H  
Nov 01/00



Rudder Assembly  
Figure 6 (Sheet 1)

**55-40-13**

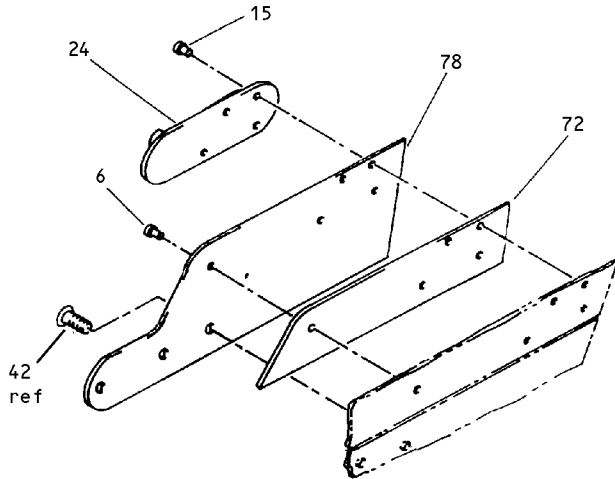
ILLUSTRATED PARTS LIST  
01.1 Page 1062I  
Nov 01/00



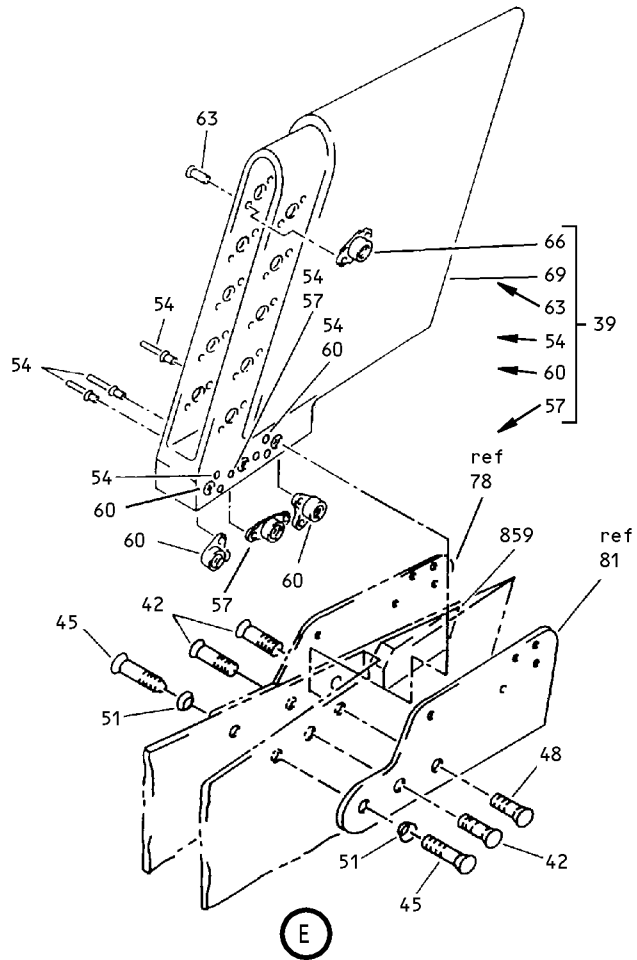
Rudder Assembly  
Figure 6 (Sheet 2)

**55-40-13**

ILLUSTRATED PARTS LIST  
01.1 Page 1062J  
Nov 01/00



D



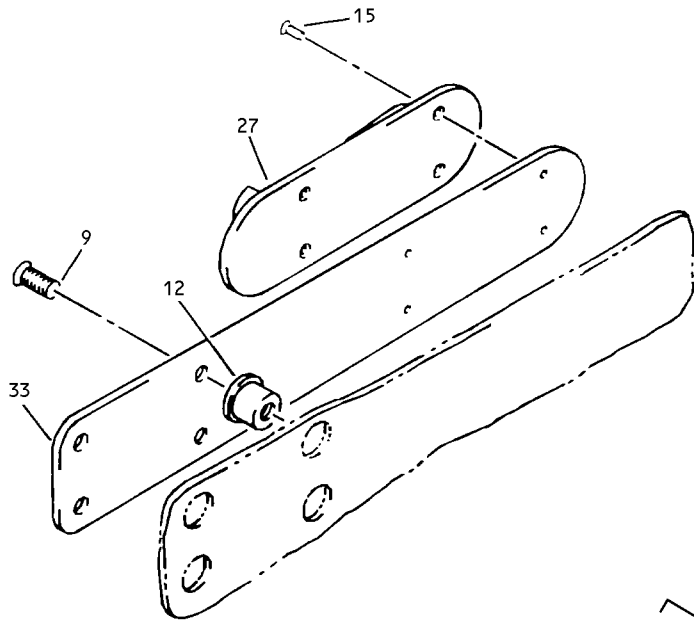
E

Rudder Assembly  
Figure 6 (Sheet 3)

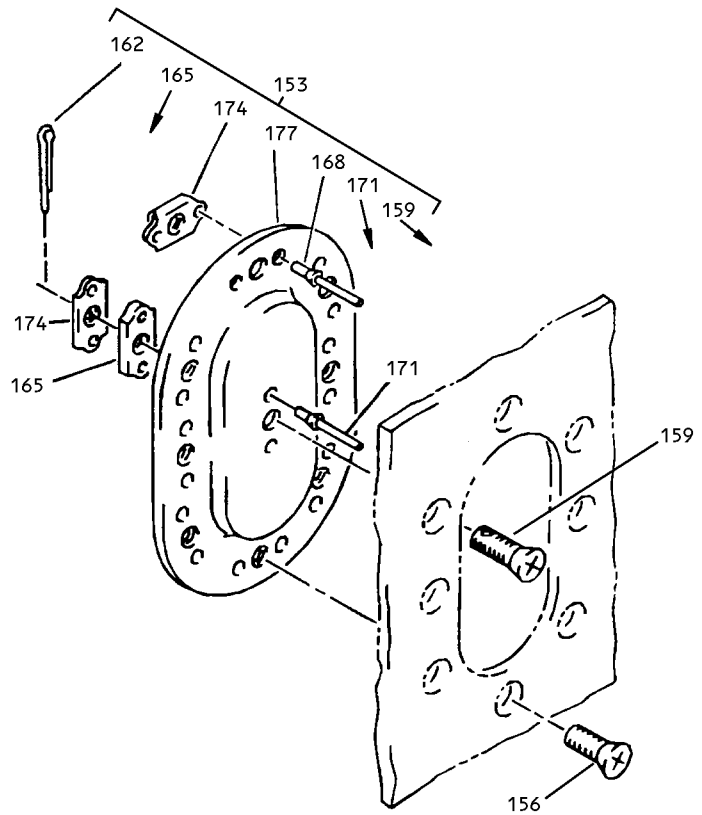
**55-40-13**

ILLUSTRATED PARTS LIST  
01.1 Page 1062K  
Nov 01/00





(F)

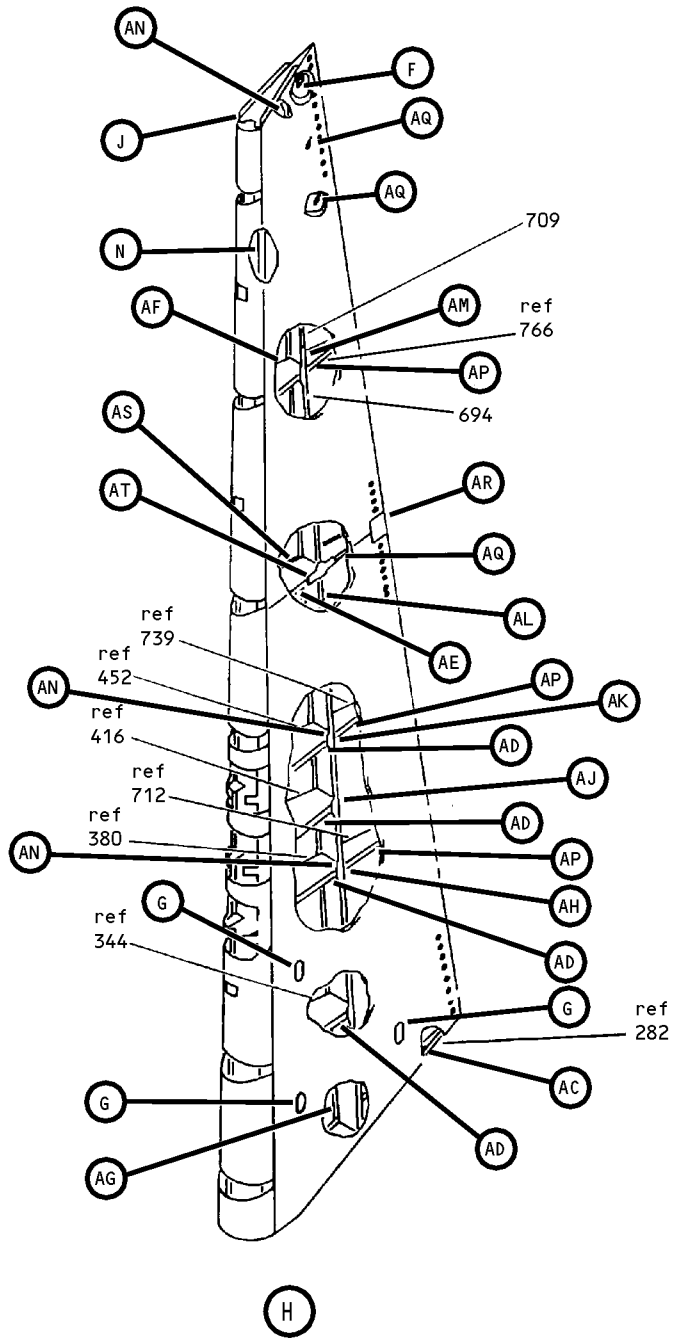


(G)

Rudder Assembly  
 Figure 6 (Sheet 4)

**55-40-13**

ILLUSTRATED PARTS LIST  
 01.1 Page 1062L  
 Nov 01/00

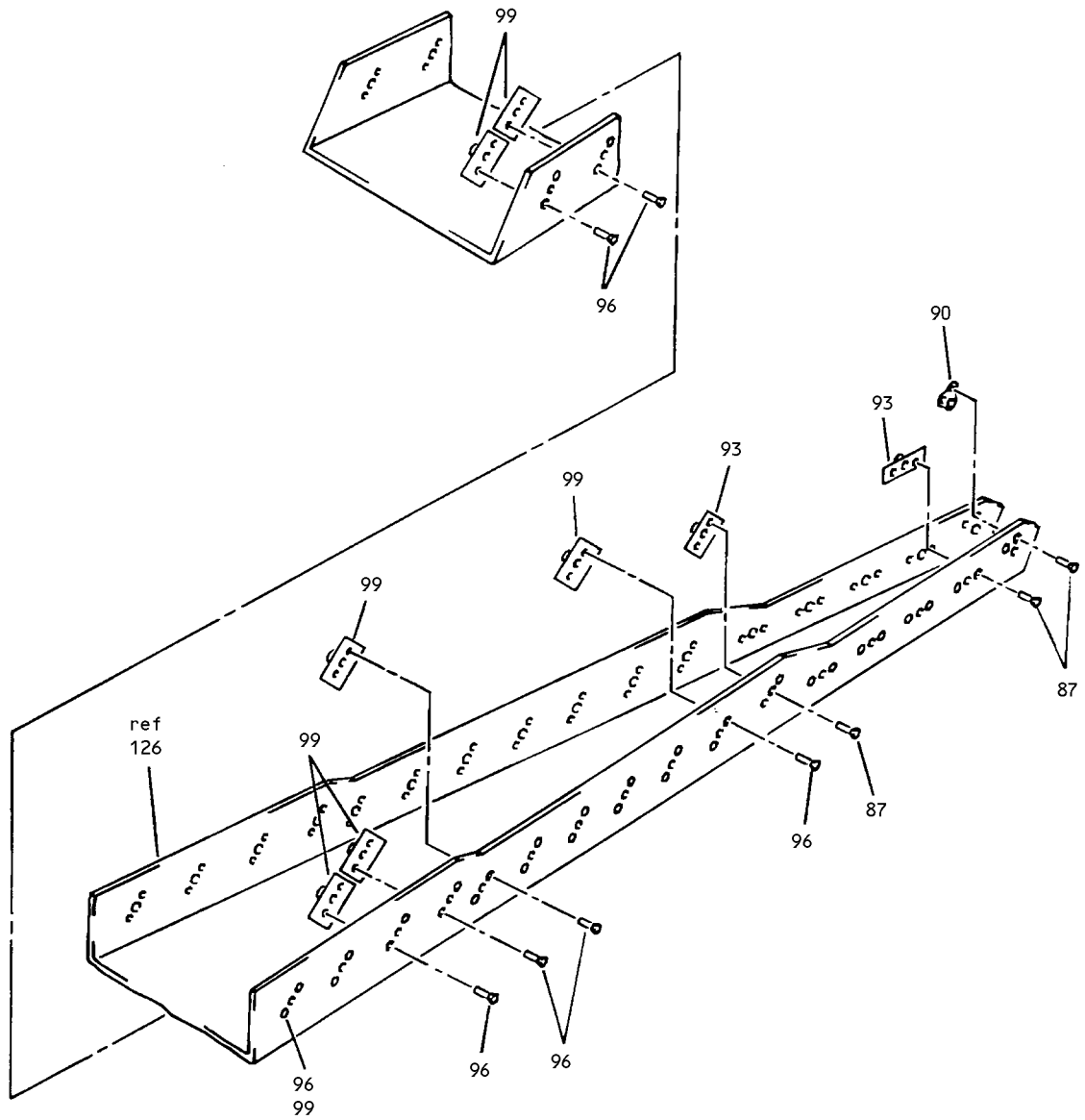


Rudder Assembly  
Figure 6 (Sheet 5)

**55-40-13**

ILLUSTRATED PARTS LIST  
01.1 Page 1062M  
Nov 01/00

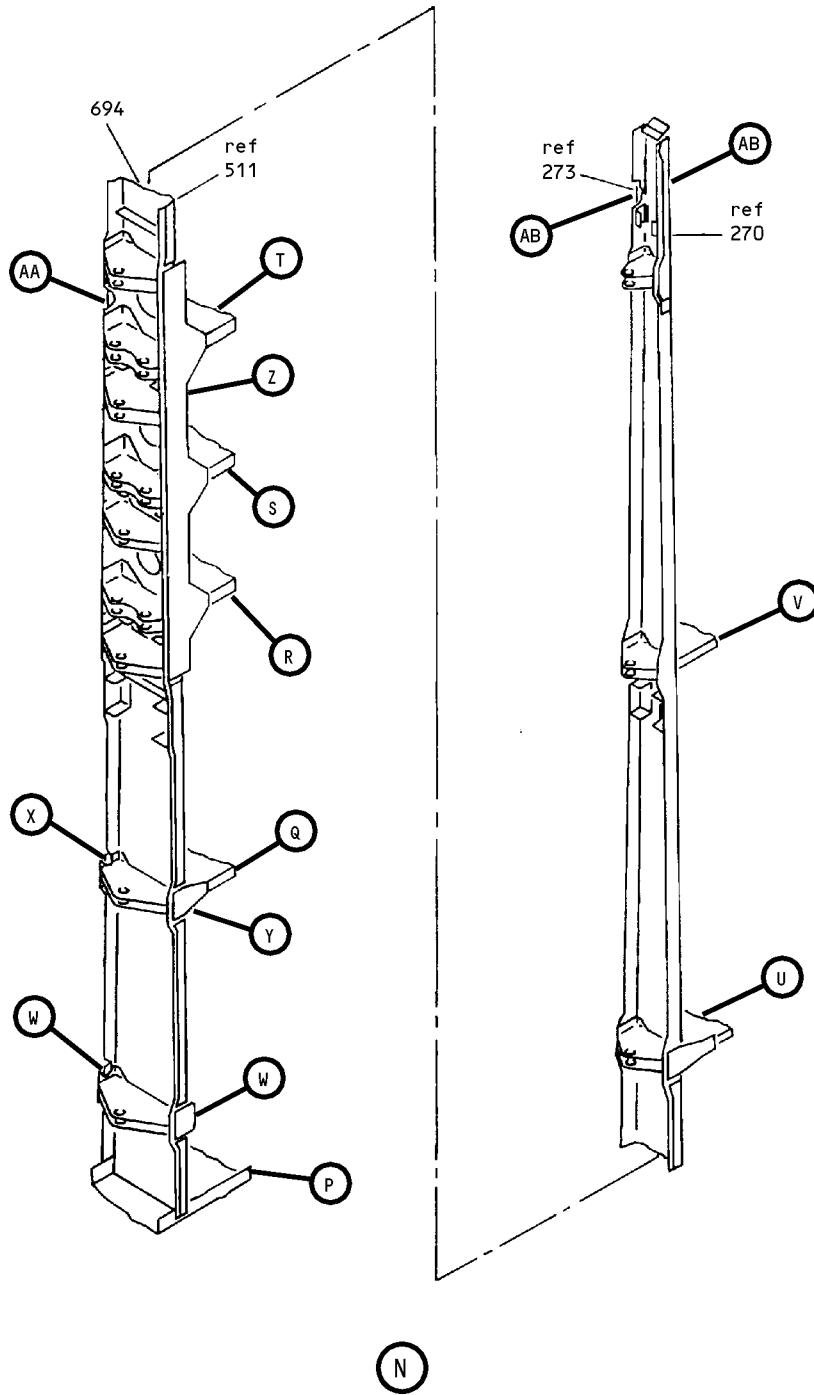




Rudder Assembly  
Figure 6 (Sheet 7)

**55-40-13**

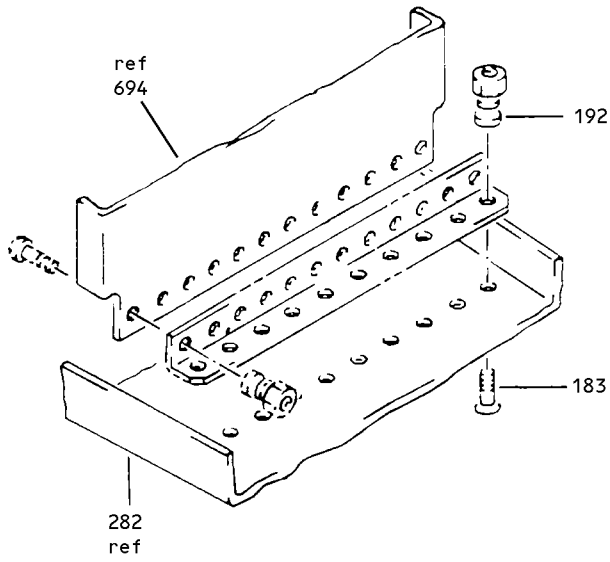
ILLUSTRATED PARTS LIST  
01.1 Page 10620  
Nov 01/00



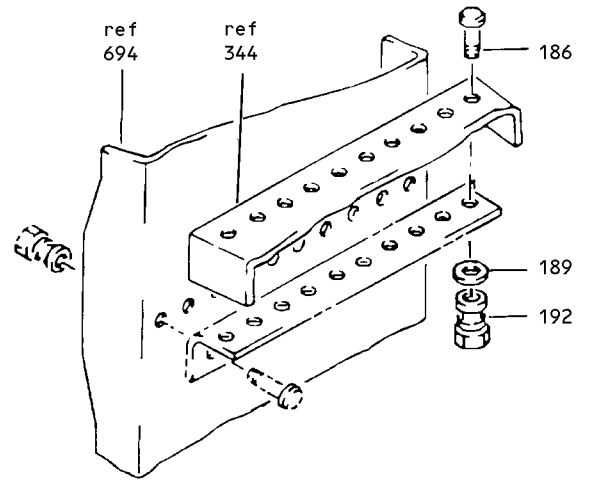
Rudder Assembly  
Figure 6 (Sheet 8)

**55-40-13**

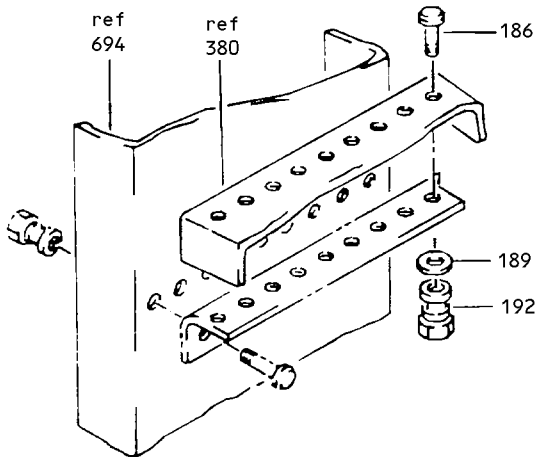
ILLUSTRATED PARTS LIST  
01.1 Page 1062P  
Nov 01/00



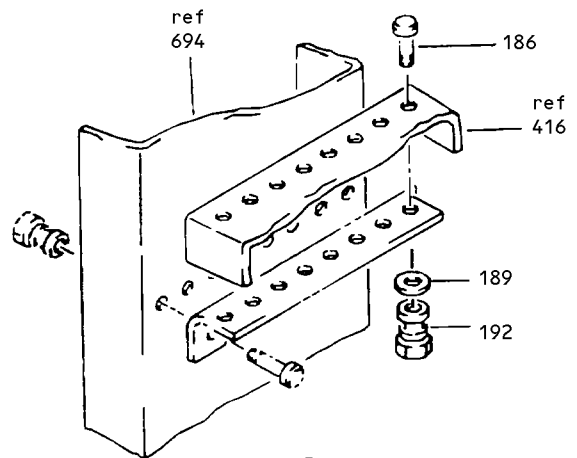
P



Q



R



S

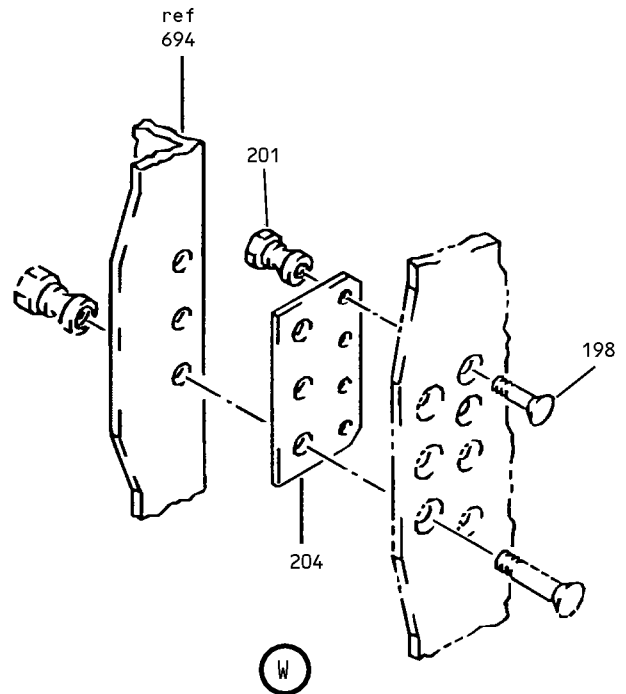
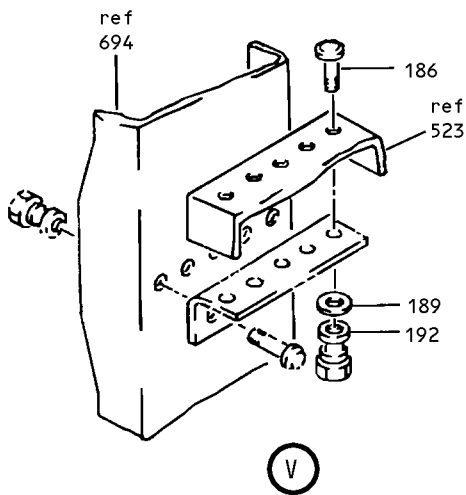
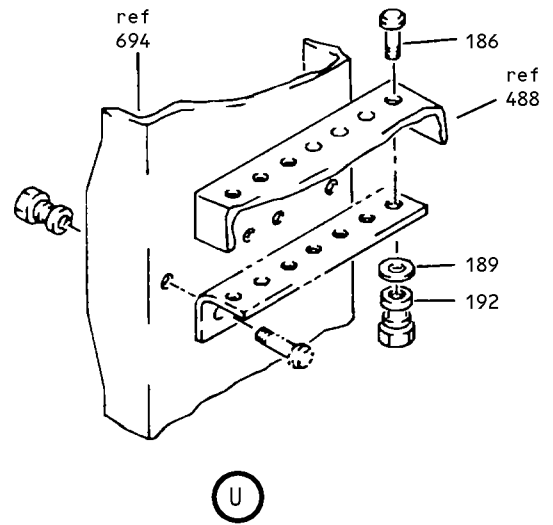
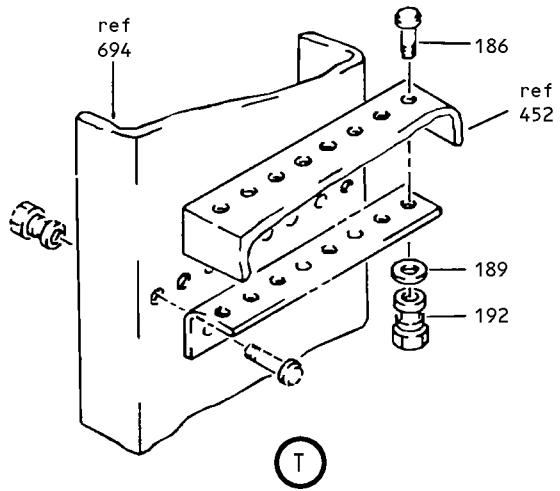
Rudder Assembly  
Figure 6 (Sheet 9)

**55-40-13**

ILLUSTRATED PARTS LIST

01.1 Page 1062Q

Nov 01/00



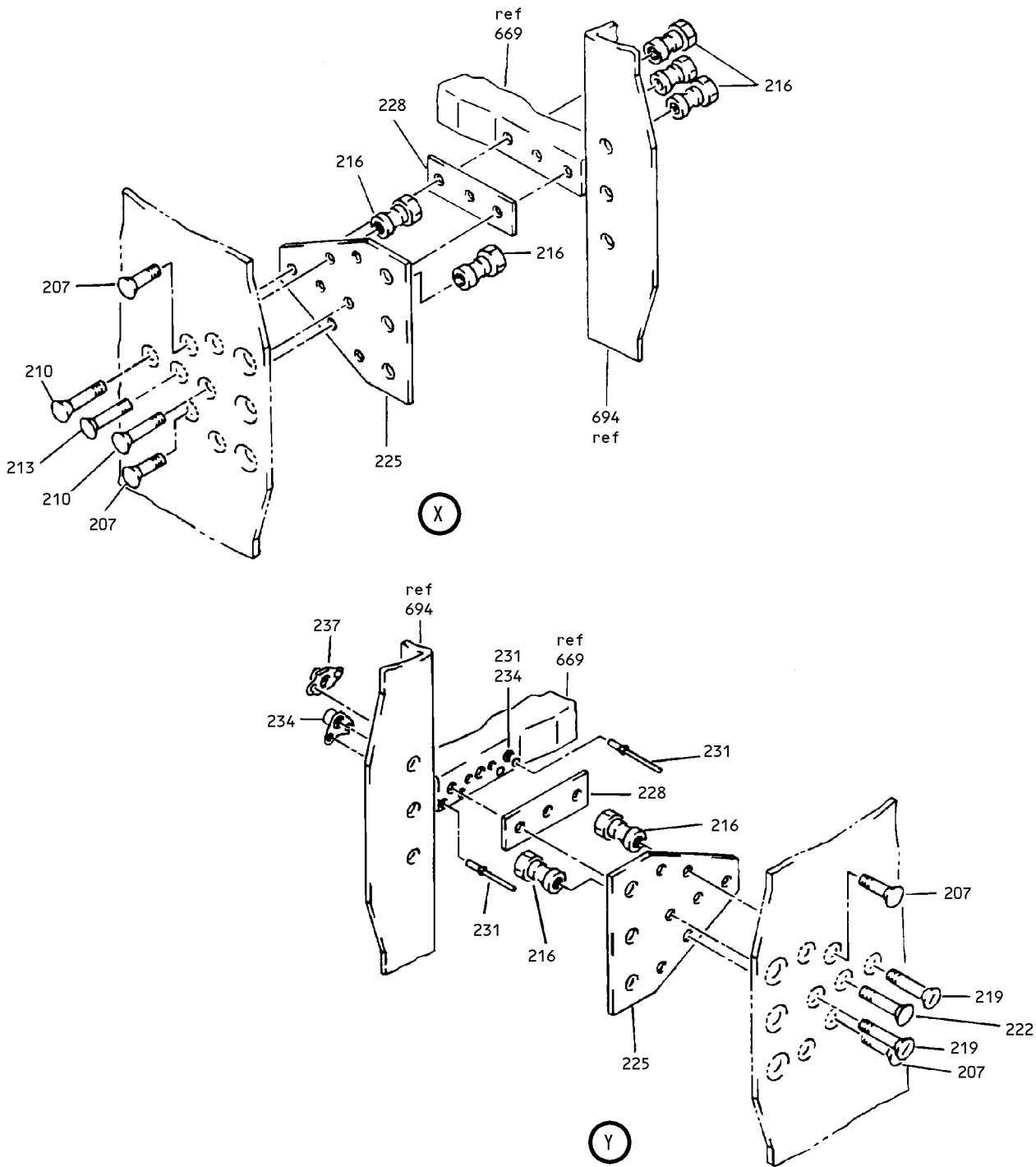
Rudder Assembly  
 Figure 6 (Sheet 10)

**55-40-13**

ILLUSTRATED PARTS LIST  
 01.1 Page 1062R  
 Nov 01/00

# BOEING

COMPONENT  
MAINTENANCE MANUAL

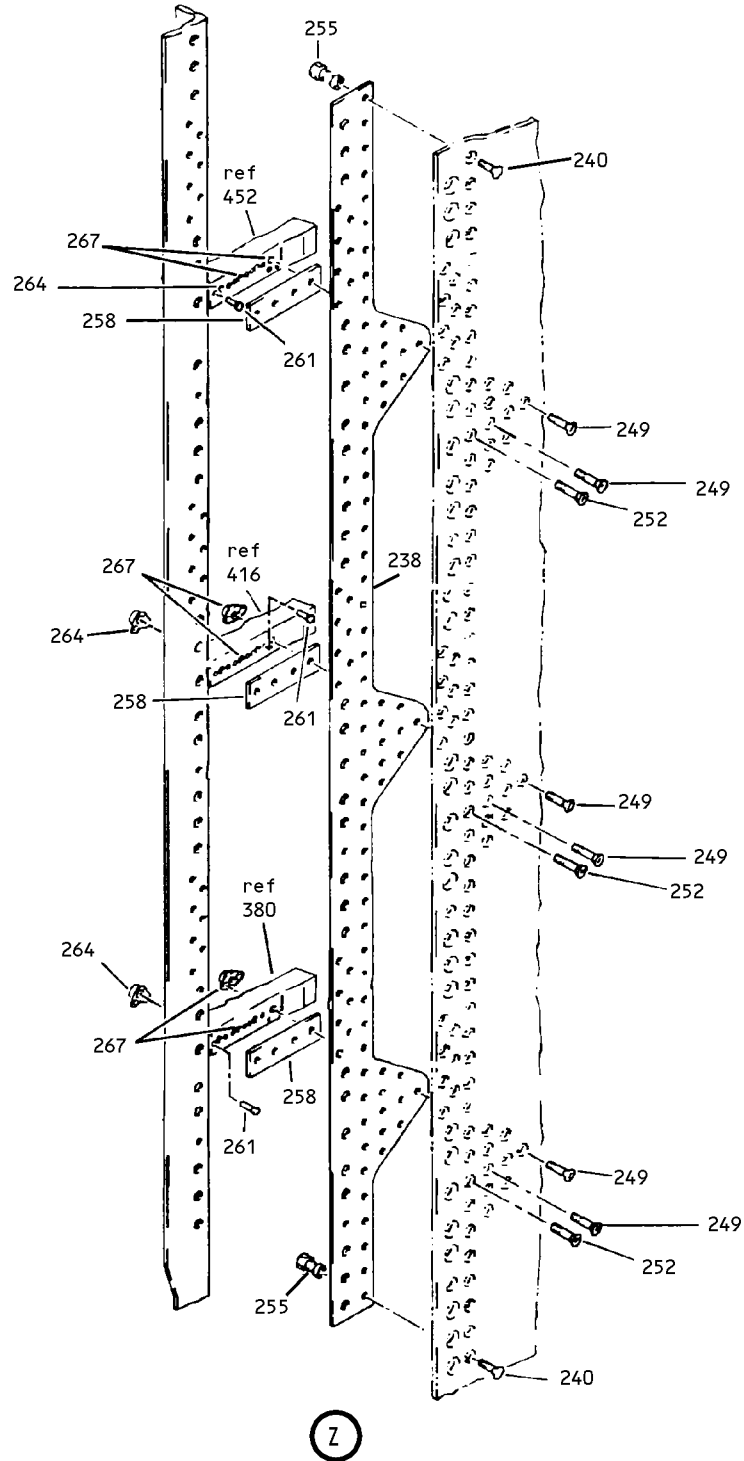


Rudder Assembly  
Figure 6 (Sheet 11)

55-40-13

ILLUSTRATED PARTS LIST  
01.1 Page 1062S  
Nov 01/00



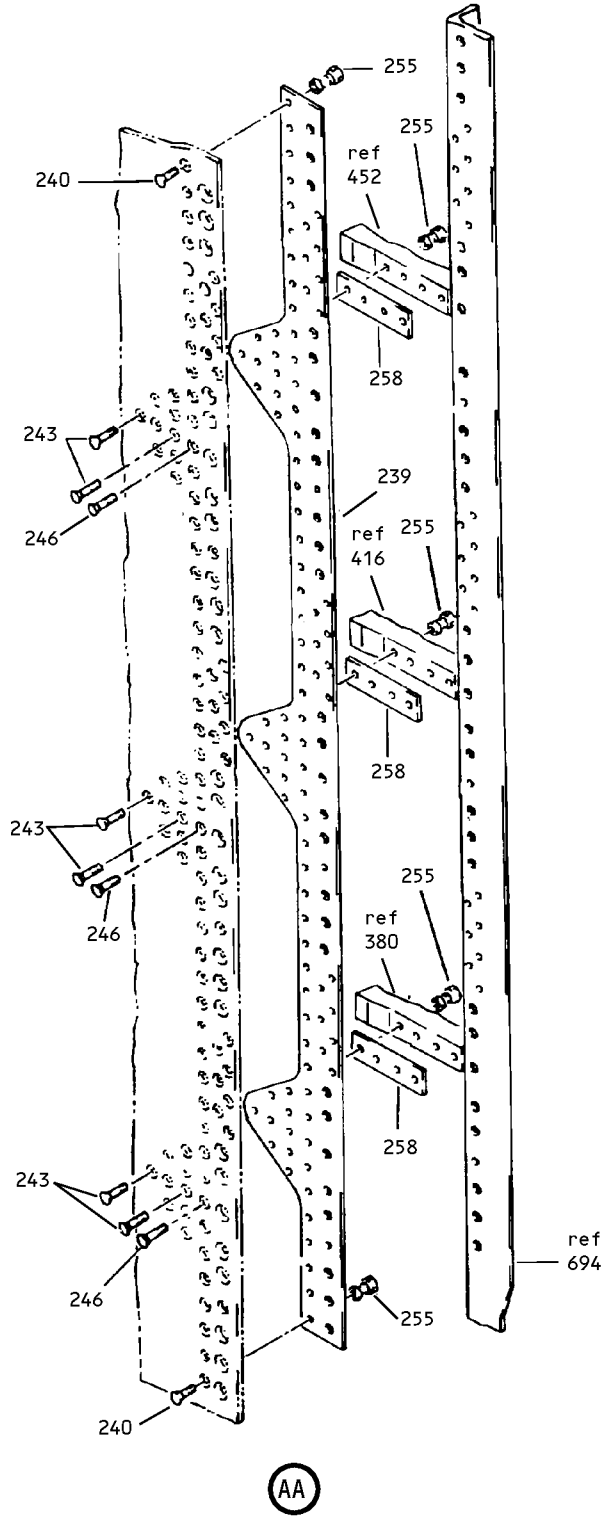


Rudder Assembly  
Figure 6 (Sheet 12)

**55-40-13**

ILLUSTRATED PARTS LIST  
01.1 Page 1062T  
Nov 01/00

**BOEING**  
COMPONENT  
MAINTENANCE MANUAL

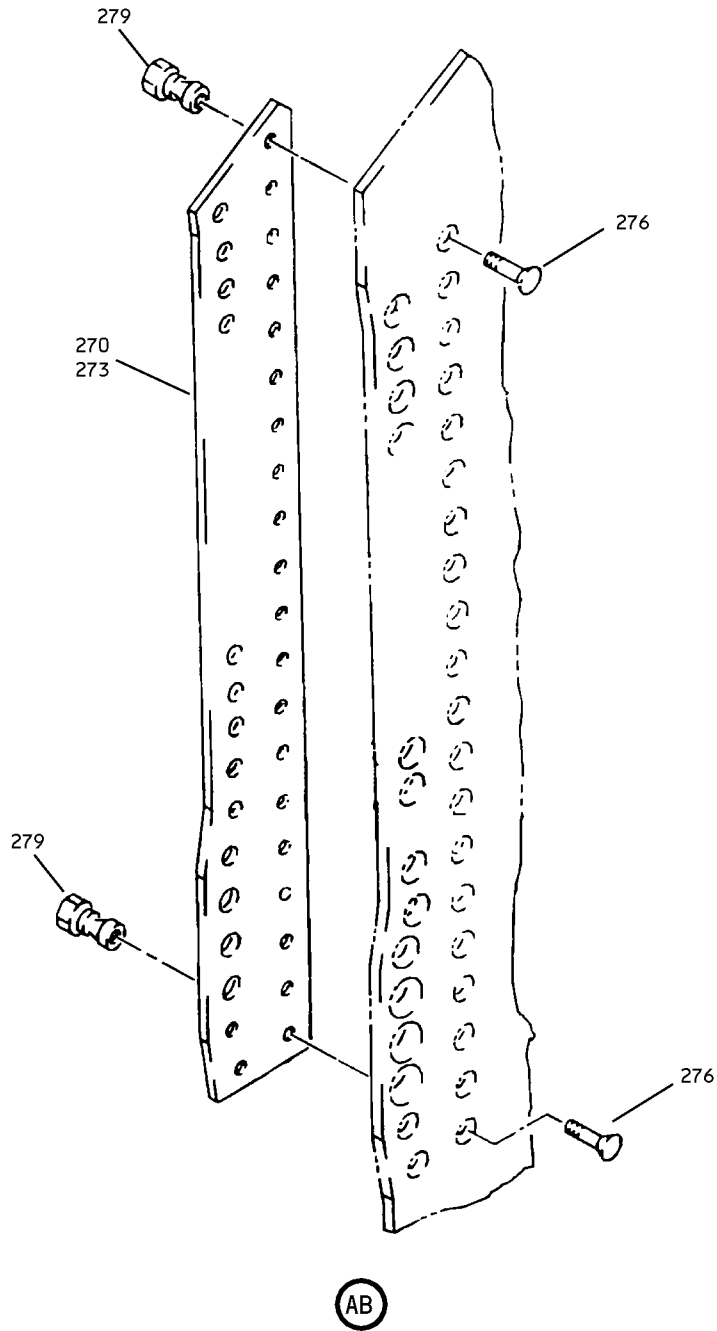


Rudder Assembly  
Figure 6 (Sheet 13)

**55-40-13**

ILLUSTRATED PARTS LIST  
01.1 Page 1062U  
Nov 01/00

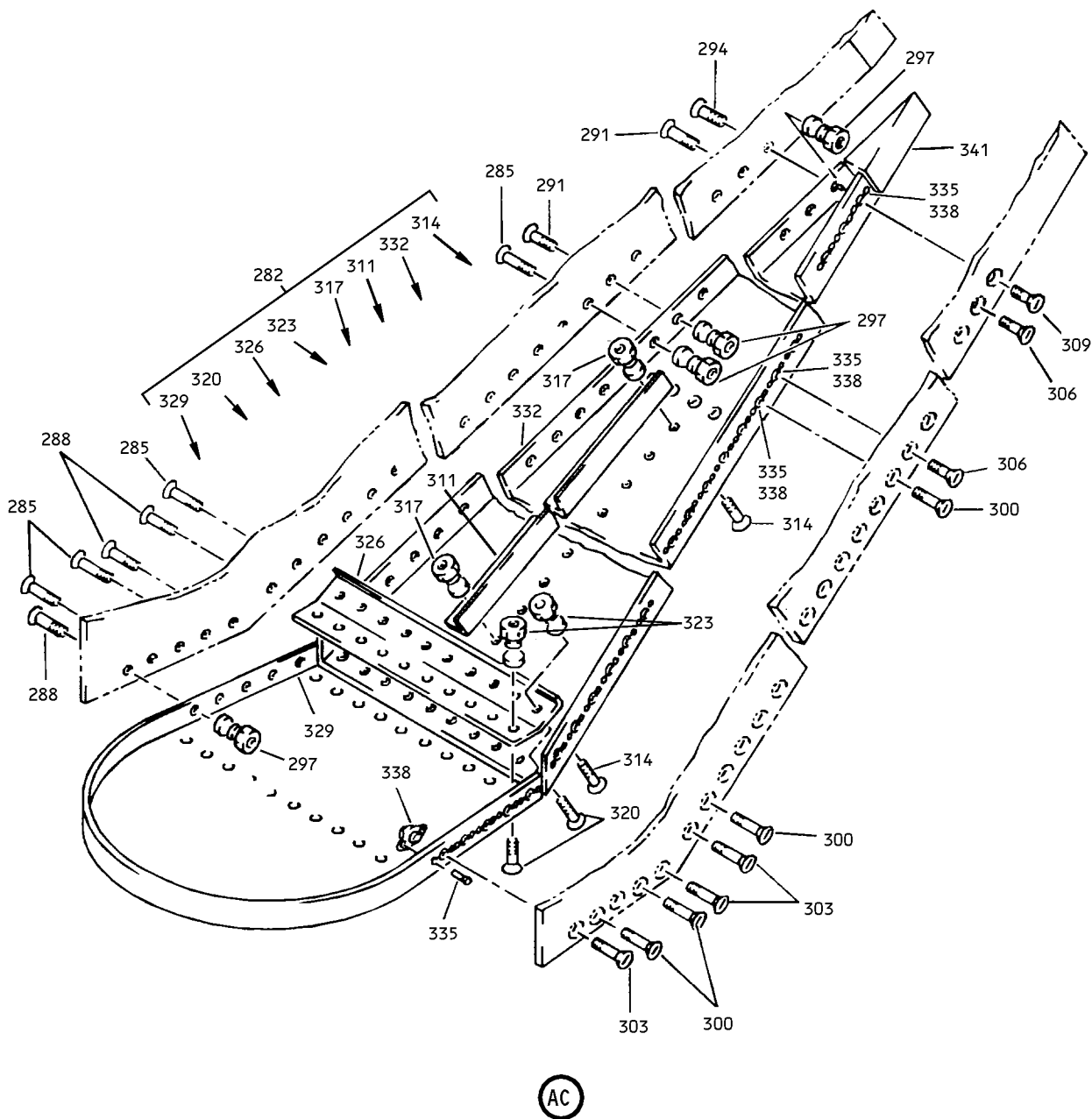
L42562



Rudder Assembly  
Figure 6 (Sheet 14)

**55-40-13**

ILLUSTRATED PARTS LIST  
01.1 Page 1062V  
Nov 01/00

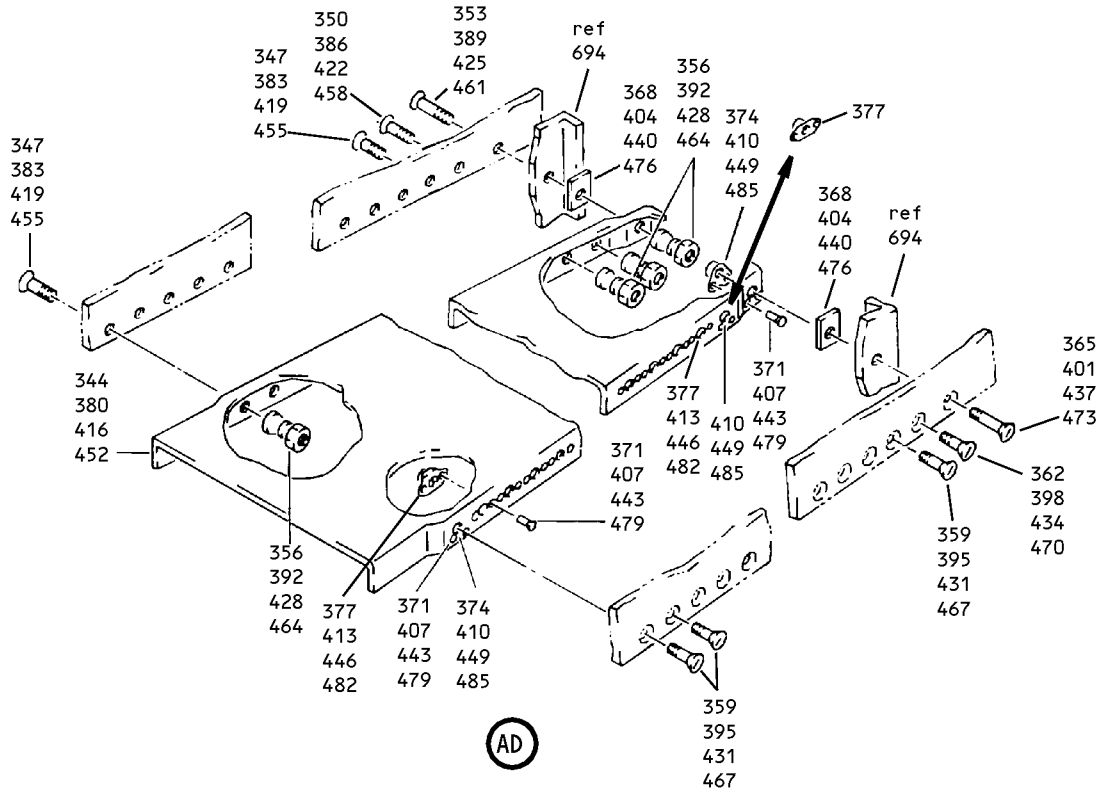


Rudder Assembly  
Figure 6 (Sheet 15)

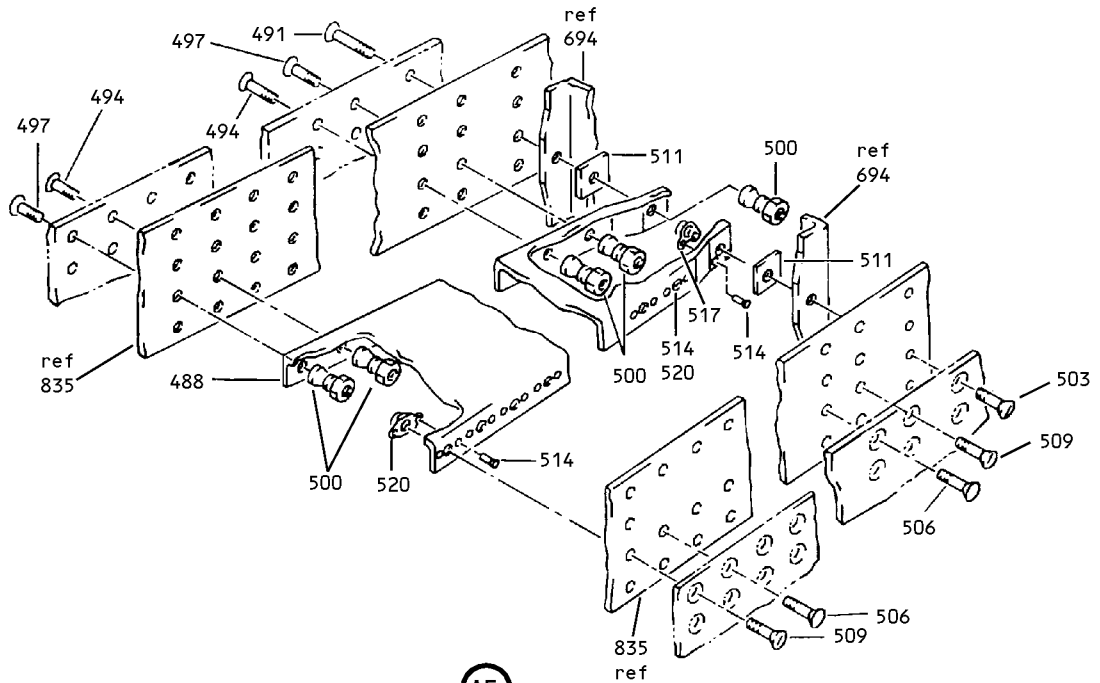
**55-40-13**

ILLUSTRATED PARTS LIST  
01.1 Page 1062W  
Nov 01/00

**COMPONENT  
MAINTENANCE MANUAL**



AD



AE

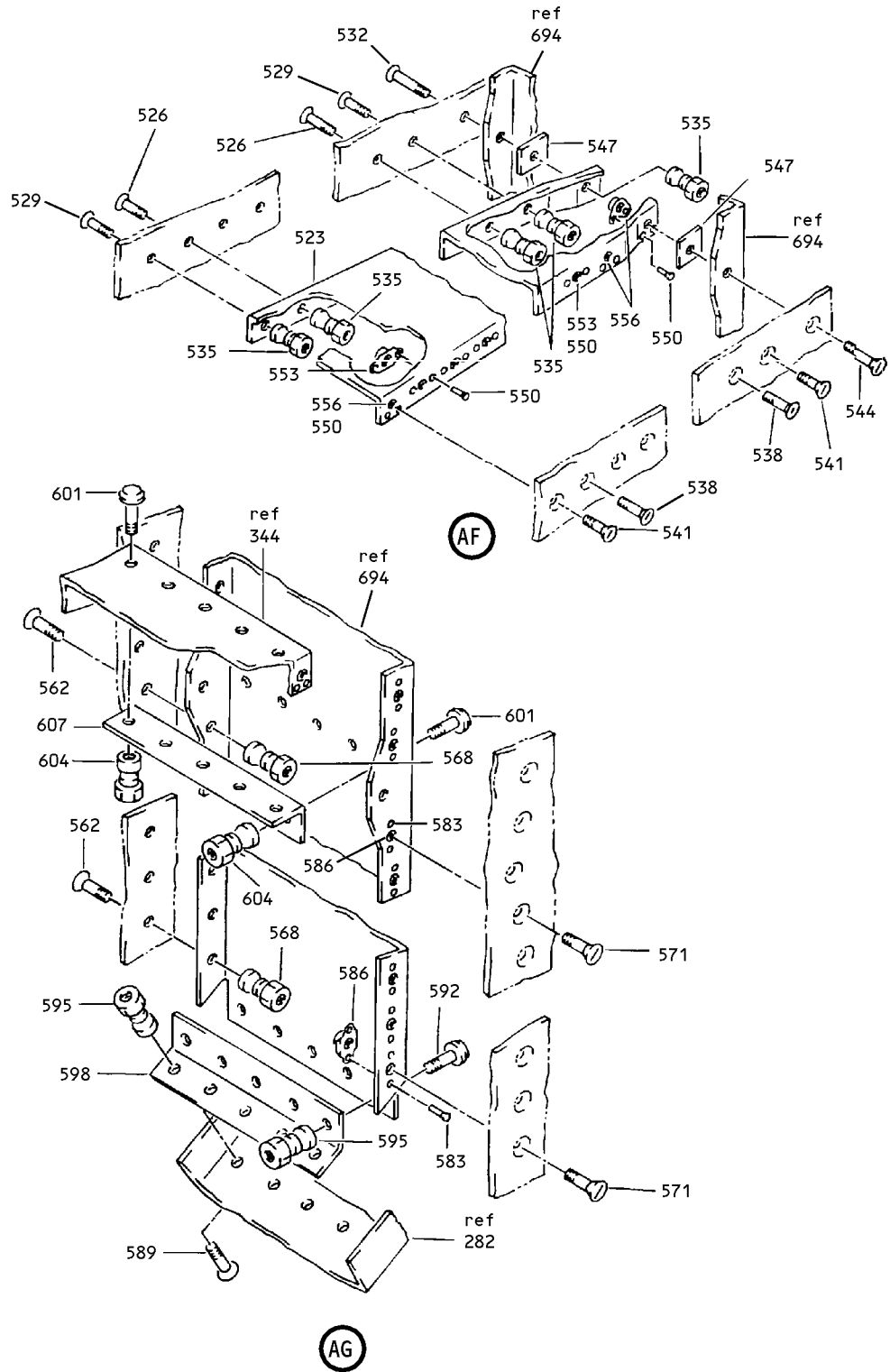
Rudder Assembly  
Figure 6 (Sheet 16)

**55-40-13**

ILLUSTRATED PARTS LIST  
01.1 Page 1062X  
Nov 01/00

# BOEING

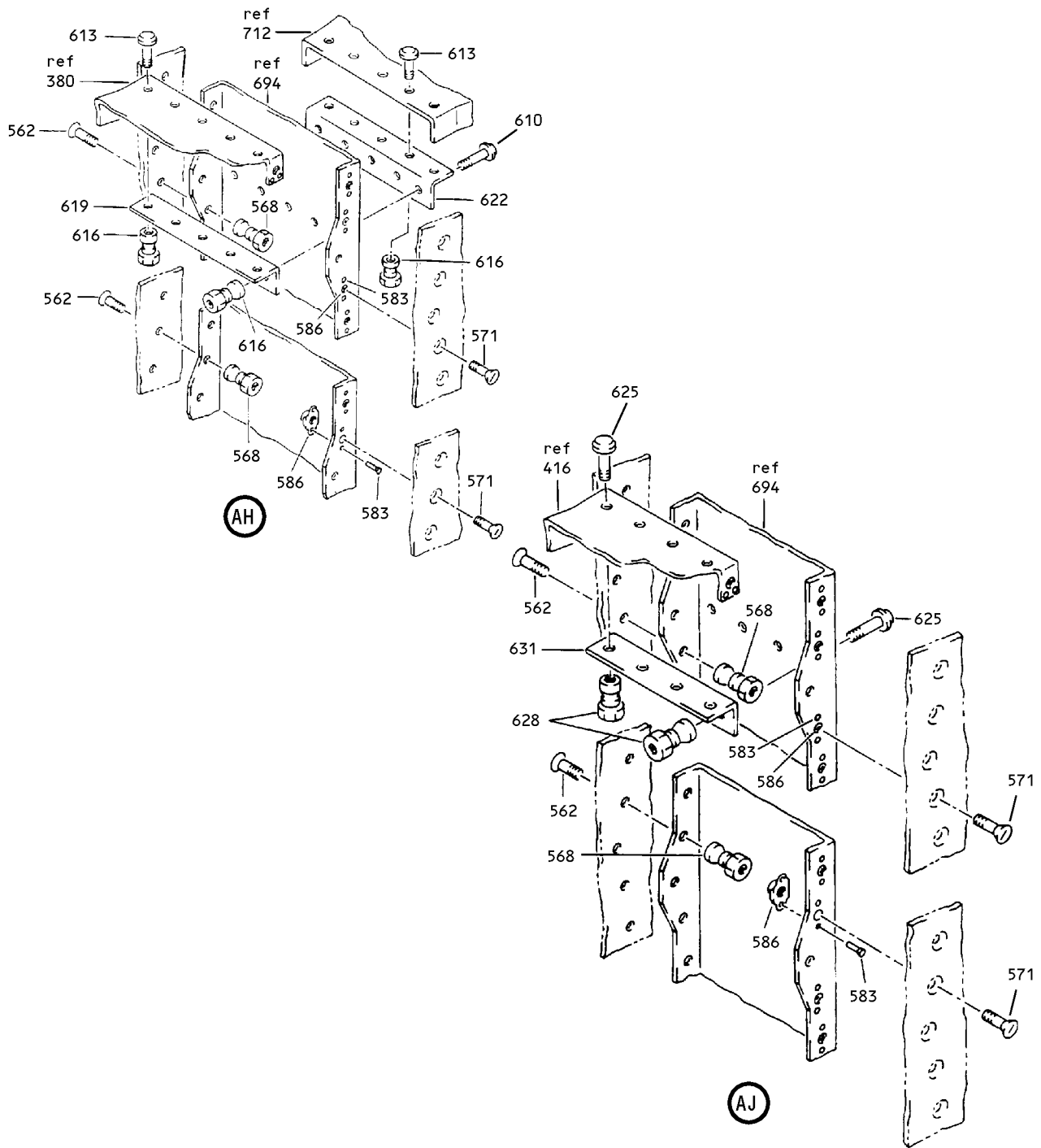
COMPONENT  
MAINTENANCE MANUAL



Rudder Assembly  
Figure 6 (Sheet 17)

55-40-13

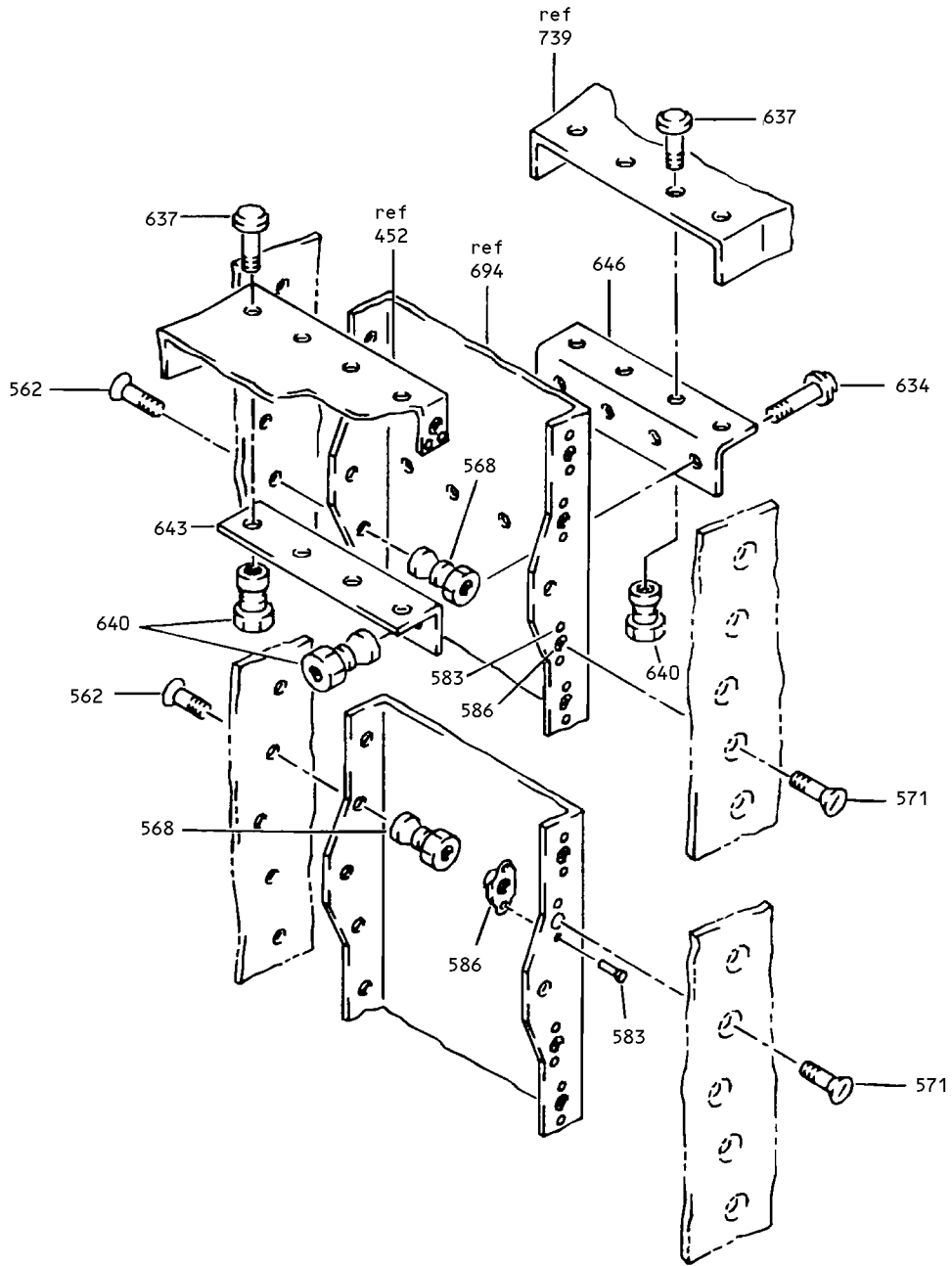
ILLUSTRATED PARTS LIST  
01.1 Page 1062Y  
Nov 01/00



Rudder Assembly  
 Figure 6 (Sheet 18)

**55-40-13**

ILLUSTRATED PARTS LIST  
 01.1 Page 1062Z  
 Nov 01/00



AK

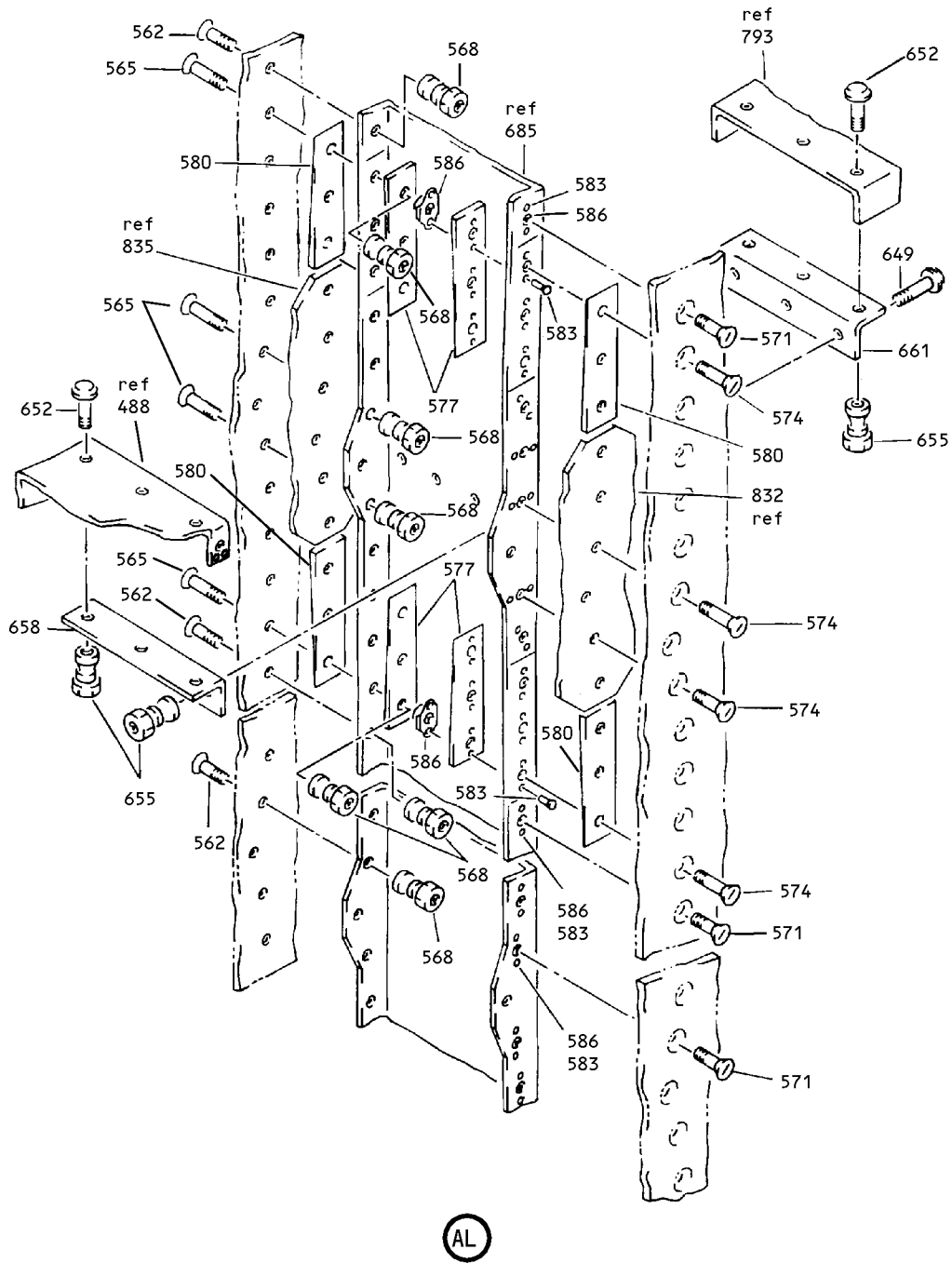
Rudder Assembly  
Figure 6 (Sheet 19)

**55-40-13**

ILLUSTRATED PARTS LIST  
01.1 Page 1063  
Nov 01/00

L42588



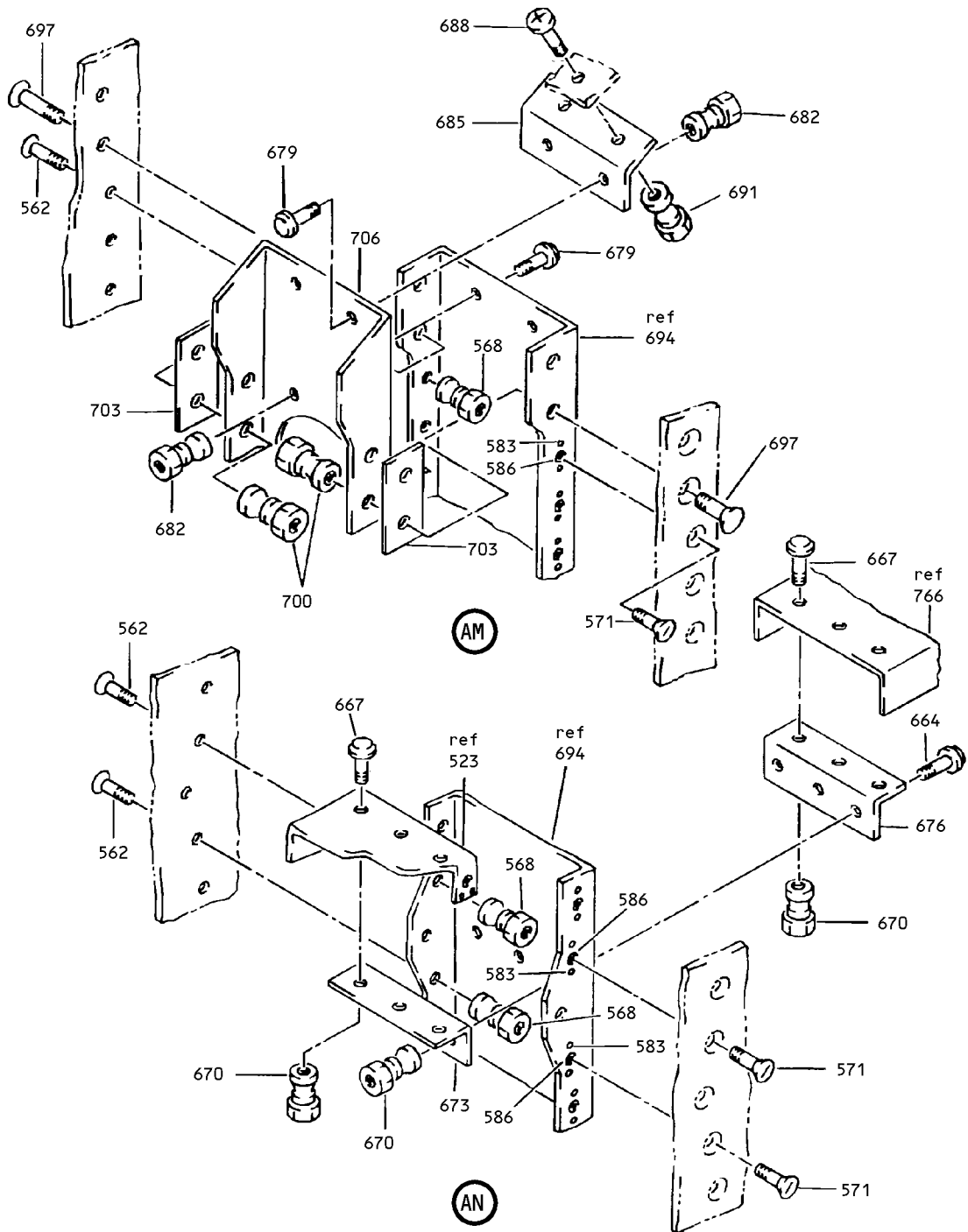


Rudder Assembly  
Figure 6 (Sheet 20)

**55-40-13**

ILLUSTRATED PARTS LIST  
01.1 Page 1064  
Nov 01/00

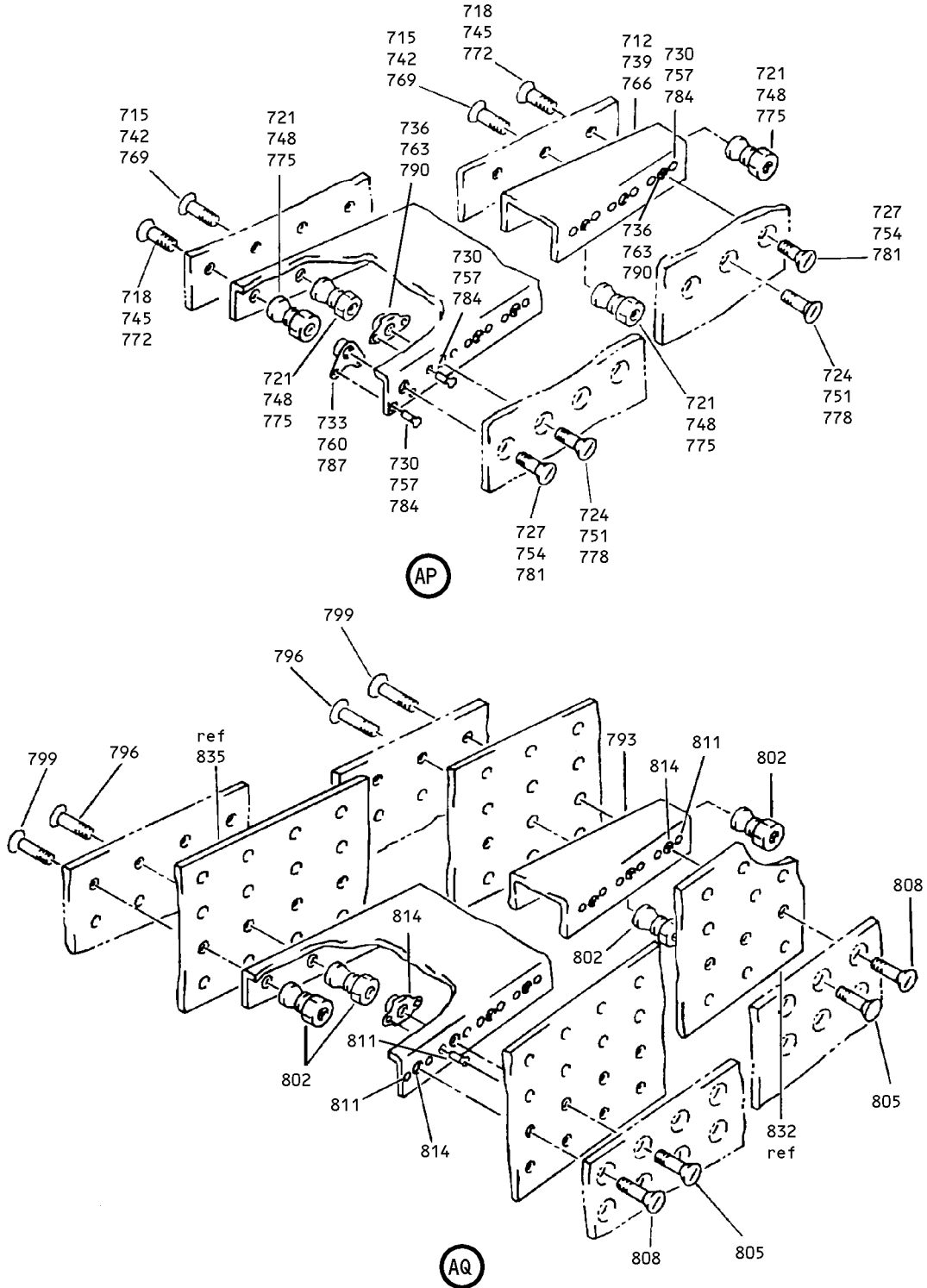
**BOEING**  
 COMPONENT  
 MAINTENANCE MANUAL



Rudder Assembly  
 Figure 6 (Sheet 21)

**55-40-13**

ILLUSTRATED PARTS LIST  
 01.1 Page 1064A  
 Nov 01/00

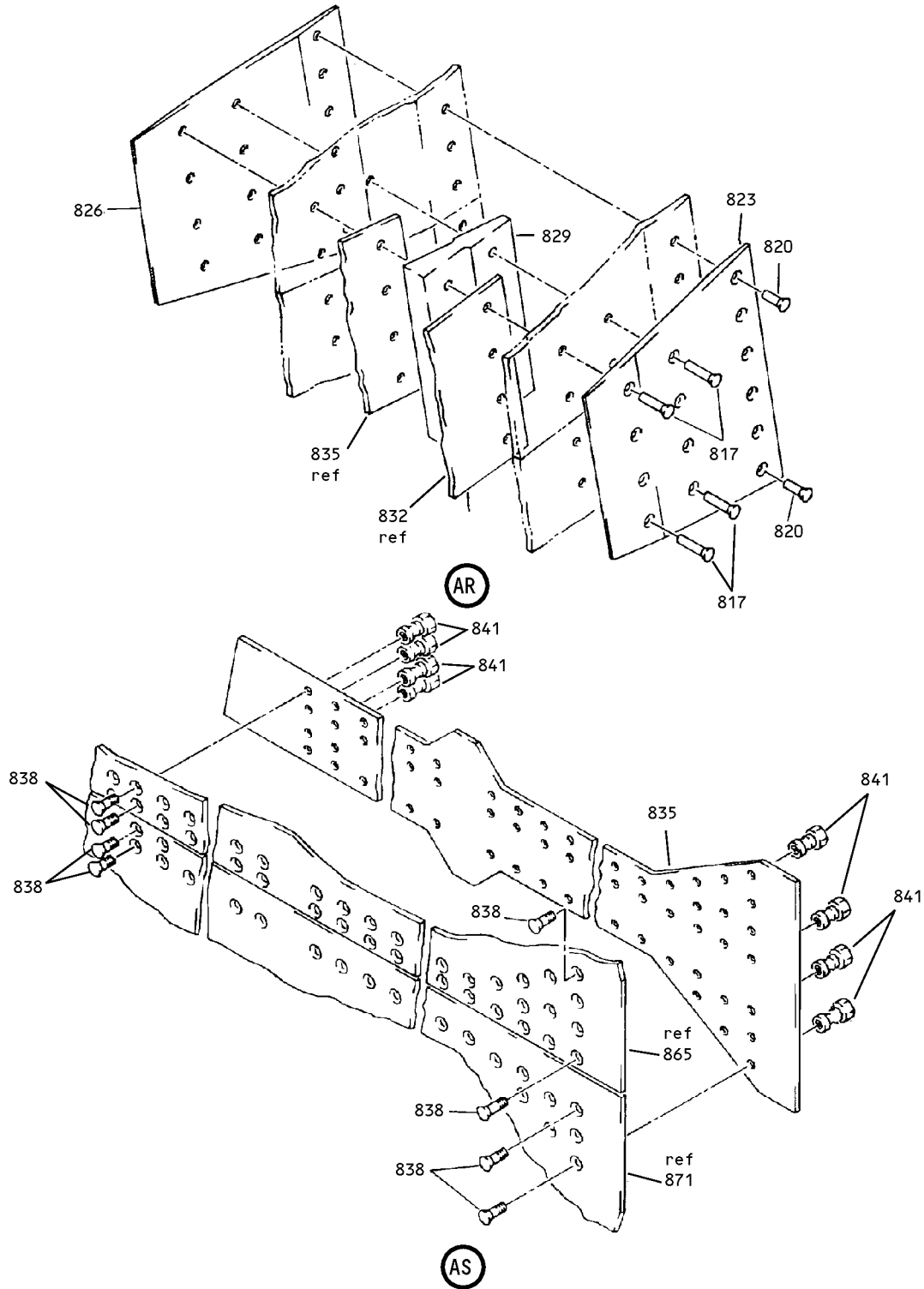


Rudder Assembly  
 Figure 6 (Sheet 22)

**55-40-13**

ILLUSTRATED PARTS LIST  
 01.1 Page 1064B  
 Nov 01/00

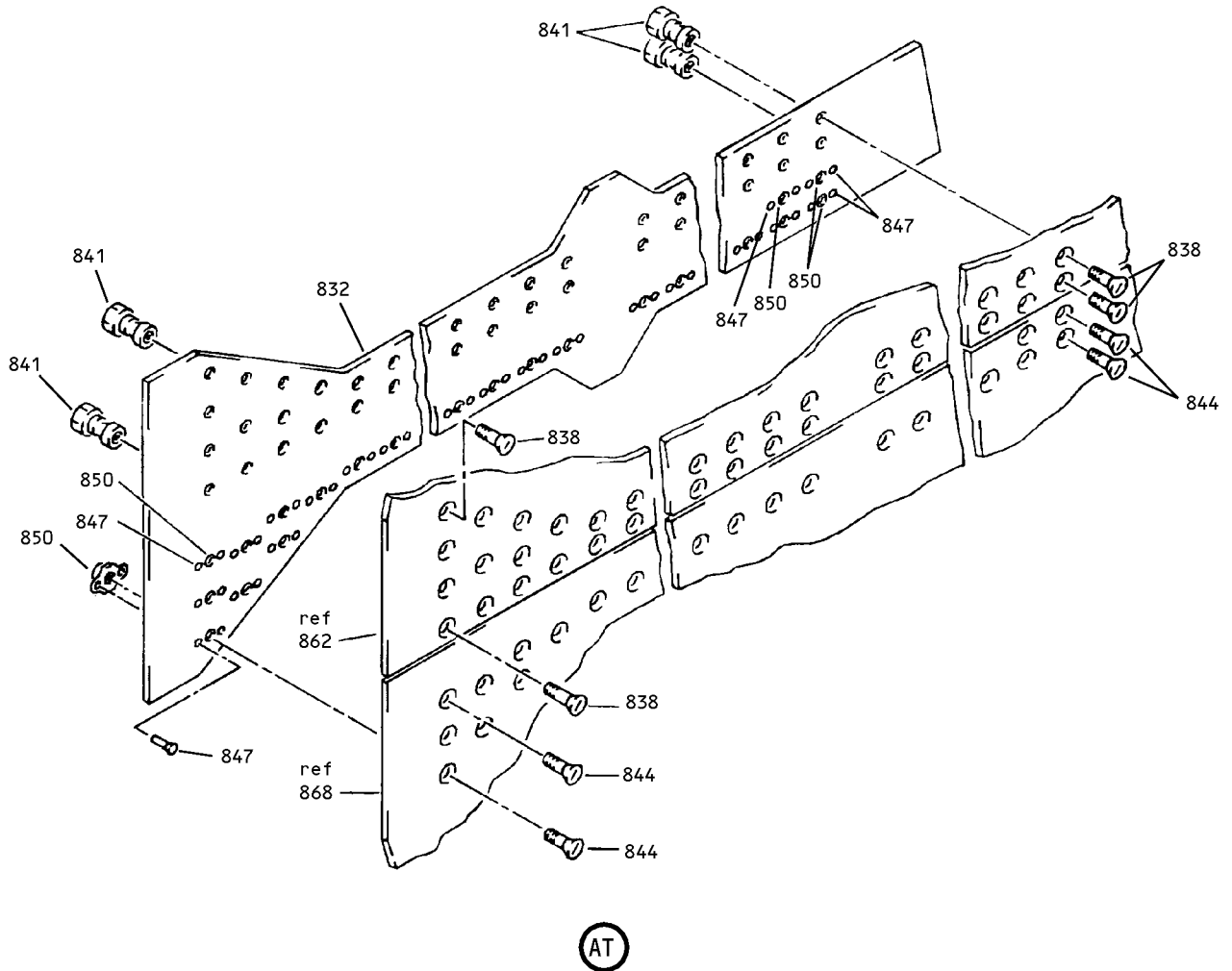
**BOEING**  
COMPONENT  
MAINTENANCE MANUAL



Rudder Assembly  
Figure 6 (Sheet 23)

**55-40-13**

ILLUSTRATED PARTS LIST  
01.1 Page 1064C  
Nov 01/00



Rudder Assembly  
Figure 6 (Sheet 24)

**55-40-13**

ILLUSTRATED PARTS LIST  
01.1 Page 1064D  
Nov 01/00


**BOEING**  
 COMPONENT  
 MAINTENANCE MANUAL

| FIG. & ITEM | PART NO.       | AIRLINE PART NUMBER | NOMENCLATURE<br>1234567  | EFF CODE | QTY PER ASSY |
|-------------|----------------|---------------------|--------------------------|----------|--------------|
| R 06-       |                |                     |                          |          |              |
| R -1A       | 173T2001-29    |                     | RUDDER ASSY              | D        | RF           |
| R -3        | 173T2002-6     |                     | .TIP INSTL-              | D        | 1            |
|             |                |                     | (FOR DETAILS SEE FIG. 4) |          |              |
| R 6         | BACR15CE6AD    |                     | .RIVET-                  | D        | 2            |
|             |                |                     | (SIZE DETERMINE ON INST) |          |              |
| R 9         | BACS12ER06K4   |                     | .SCREW                   | D        | 8            |
| R 12        | NAS1836C06-08M |                     | .INSERT                  | D        | 8            |
| R 15        | BACR15CE5AD    |                     | .RIVET-                  | D        | 12           |
|             |                |                     | (SIZE DETERMINE ON INST) |          |              |
| R 18        | BACR15GA5-4    |                     | .RIVET                   | D        | 8            |
| R 21        | 173T2001-3     |                     | .RETAINER                | D        | 1            |
| R 24        | 173T2001-6     |                     | .RETAINER                | D        | 1            |
| R 27        | 173T2001-2     |                     | .RETAINER                | D        | 1            |
| R 30        | 173T2001-7     |                     | .RETAINER                | D        | 2            |
| R 33        | 173T2057-1     |                     | .PLATE-MTG               | D        | 1            |
| R 36        | 173T2057-2     |                     | .PLATE-MTG               | D        | 2            |
| R 39        | 173T2048-5     |                     | .FITTING ASSY-TIP        | D        | 1            |
|             |                |                     | ATTACHING PARTS          |          |              |
| R 42        | BACB30NU3K4    |                     | .BOLT                    | D        | 3            |
| R 45        | BACB30LL3-4    |                     | .BOLT                    | D        | 2            |
| R 48        | BACB30NU3K3    |                     | .BOLT                    | D        | 1            |
| R 51        | BACW10DM6P     |                     | .WASHER                  | D        | 2            |
|             |                |                     | -----*                   |          |              |
| R 54        | AF5141-3-2     |                     | ..RIVET-                 | D        | 12           |
|             |                |                     | (V53551)                 |          |              |
|             |                |                     | (SPEC BACR15DR3A2)       |          |              |
|             |                |                     | (OPT RV541A3-2           |          |              |
|             |                |                     | (V98996))                |          |              |
|             |                |                     | (OPT CCR264CS3-2TT       |          |              |
|             |                |                     | (V11815))                |          |              |

55-40-13

 ILLUSTRATED PARTS LIST  
 01.1 Page 1064E  
 Nov 01/00

| FIG. & ITEM | PART NO.      | AIRLINE PART NUMBER | NOMENCLATURE<br>1234567  | EFF CODE | QTY PER ASSY |
|-------------|---------------|---------------------|--|----------|--------------|
| R 06-57     | BRF200C3D     |                     | ..NUTPLATE-<br>(V52828)<br>(SPEC BACN10JR3CFD)<br>(OPT K51602-3BAC<br>(V15653))<br>(OPT NS202476-02<br>(V80539))<br>(OPT 102F9201-3<br>(V72962))<br>(OPT T8092C1032CD<br>(V11815)) | D        | 2            |
| R 60        | NS202495-02   |                     | ..NUTPLATE-<br>(V80539)<br>(SPEC BACN10KE3DCD)<br>(OPT F51753-3DC<br>(V15656))   | D        | 4            |
| R 63        | BACR15BA3AD3  |                     | ..RIVET  | D        | 20           |
| R 66        | NS202493-02-3 |                     | ..NUTPLATE-<br>(V80539)<br>(SPEC BACN10KE3B3CD)<br>(OPT F51747-3-3CD<br>(V15653))<br>(OPT 102A9213-3-3<br>(V72962))<br>(OPT BRFR220C3-3D<br>(V52828))                              | D        | 10           |
| R 69        | 173T2048-3    |                     | ..FITTING  | D        | 1            |
| R 72        | 173T2001-21   |                     | .SHIM  | D        | 1            |
| R 75        | 173T2001-22   |                     | .SHIM  | D        | 1            |
| R 78        | 173T2001-19   |                     | .PLATE   | D        | 1            |
| R 81        | 173T2001-20   |                     | .PLATE   | D        | 1            |

# 55-40-13

 ILLUSTRATED PARTS LIST  
 01.1 Page 1064F  
 Nov 01/00


**BOEING**  
 COMPONENT  
 MAINTENANCE MANUAL

| FIG. & ITEM | PART NO.    | AIRLINE PART NUMBER | NOMENCLATURE<br>1234567  | EFF CODE | QTY PER ASSY |
|-------------|-------------|---------------------|--|----------|--------------|
| R 06-84     | 173T2001-30 |                     | .RUDDER ASSY   | D        | 1            |
| R 87        | AF5141-3-2  |                     | ..RIVET-<br>(V53551)<br>(SPEC BACR15DR3A2)<br>(OPT RV541A3-2<br>(V98996))<br>(OPT CCR264CS3-2TT<br>(V11815))   | D        | 24           |
| R 90        | NS202495-02 |                     | ..NUTPLATE-<br>(V80539)<br>(SPEC BACN10KE3DCD)<br>(OPT F51753-3DC<br>(V15656))   | D        | 2            |
| R 93        | BRF200C3D   |                     | ..NUTPLATE-<br>(V52828)<br>(SPEC BACN10JR3CFD)<br>(OPT K51602-3BAC<br>(V15653))<br>(OPT NS202476-02<br>(V80539))<br>(OPT 102F9201-3<br>(V72962))<br>(OPT T8092C1032CD<br>(V11815)) | D        | 10           |
| R 96        | AF5141-3-2  |                     | ..RIVET-<br>(V53551)<br>(SPEC BACR15DR3A2)<br>(OPT RV541A3-2<br>(V98996))<br>(OPT CCR264CS3-2TT<br>(V11815))   | D        | 48           |

55-40-13

 ILLUSTRATED PARTS LIST  
 01.1 Page 1064G  
 Nov 01/00



| FIG. & ITEM | PART NO.       | AIRLINE PART NUMBER | NOMENCLATURE<br>1234567   | EFF CODE | QTY PER ASSY |
|-------------|----------------|---------------------|---|----------|--------------|
| R 06-99     | NS202493-048-4 |                     | ..NUTPLATE-<br>(V80539)<br>(SPEC BACN10KE4B4CD)<br>(OPT 102A9219-4-4<br>(V72962))<br>(OPT F51747-4-4CD<br>(V15653))<br>(OPT 102A9213-4-4<br>(V72962))<br>(OPT BRFR220C4-4D<br>(V52828))<br>(OPT ITEM 99A) | D        | 24           |
| R -99A      | F51747-4-4DL   |                     | ..NUTPLATE-<br>(V15653)<br>(SPEC BACN10KE4B4CM)<br>(OPT 104F9213-4-4<br>(V72962))<br>(OPT NS103191SE048-4<br>(V80539))<br>(OPT BRFR220C4-4M<br>(V52828))<br>(OPT ITEM 99)                                 | D        | 24           |
| R -102      | 173T2033-3     |                     | ..RIB INSTL-UPR CLOSURE   | D        | 1            |
| R 105       | BACB30NT3K3    |                     | ...BOLT   | D        | 6            |
| R 108       | BACB30NT4K4    |                     | ...BOLT   | D        | 6            |
| R 111       | AF5141-3-1     |                     | ...RIVET-<br>(V53551)<br>(SPEC BACR15DR3A1)<br>(OPT RV541A3-1<br>(V98996))<br>(OPT CCR264CS3-1TT<br>(V11815))   | D        | 8            |
| R 114       | AF5141-3-2     |                     | ...RIVET-<br>(V53551)<br>(SPEC BACR15DR3A2)<br>(OPT RV541A3-2<br>(V98996))<br>(OPT CCR264CS3-2TT<br>(V11815))   | D        | 4            |
| R 117       | NS202495-02    |                     | ...NUTPLATE-<br>(V80539)<br>(SPEC BACN10KE3DCD)<br>(OPT F51753-3DC<br>(V15656))   | D        | 6            |

55-40-13

ILLUSTRATED PARTS LIST

01.1 Page 1064H

Nov 01/00


**BOEING**  
 COMPONENT  
 MAINTENANCE MANUAL

| FIG. & ITEM | PART NO.   | AIRLINE PART NUMBER | NOMENCLATURE<br>1234567  | EFF CODE | QTY PER ASSY |
|-------------|------------|---------------------|--|----------|--------------|
| R 06-120    | AF5141-3-2 |                     | ...RIVET-<br>(V53551)<br>(SPEC BACR15DR3A2)<br>(OPT RV541A3-2<br>(V98996))<br>(OPT CCR264CS3-2TT<br>(V11815))  | D        | 12           |
| R 123       | BRF200C4D  |                     | ...NUTPLATE-<br>(V52828)<br>(SPEC BACN10JR4CFD)<br>(OPT K51602-4BAC<br>(V15653))<br>(OPT NS202476-048<br>(V80539))<br>(OPT 102F9201-4<br>(V72962))<br>(OPT T8092C428CD<br>(V11815))  | D        | 6            |
| R 126       | 173T2055-8 |                     | ...BOND ASSY   | D        | 1            |
| R 129       | HL11VAZ6-4 |                     | ...BOLT-<br>(V56878)<br>(SPEC BACB30NW6K4)<br>(OPT HL11V6-4<br>(V92215))<br>(OPT HL11V6-4<br>(V97928))<br>(OPT L803-6-4<br>(V06725))<br>(OPT B30NW6K4<br>(V97928))<br>(OPT HL11VAZ6-4<br>(V73197))<br>(OPT HL11VAZ6-4<br>(V92215))<br>(OPT HL11VAZ6-4<br>(V97928)) | D        | 14           |

55-40-13

 ILLUSTRATED PARTS LIST  
 01.1 Page 1064I  
 Nov 01/00

| FIG. & ITEM | PART NO.   | AIRLINE PART NUMBER | NOMENCLATURE<br>1234567  | EFF CODE | QTY PER ASSY |
|-------------|------------|---------------------|--|----------|--------------|
| R 06-132    | HL11VAZ8-4 |                     | ...BOLT-<br>(V56878)<br>(SPEC BACB30NW8K4)<br>(OPT B30NW8K4<br>(V97928))<br>(OPT HL11VAZ8-4<br>(V73197))<br>(OPT HL11VAZ8-4<br>(V92215))<br>(OPT HL11VAZ8-4<br>(V97928))<br>(OPT L803-8K4<br>(V06725))<br>(OPT HL11VAZ8-4<br>(V0PTK6))<br>(OPT HL11VAZ8-4<br>(V60516)) | D        | 28           |
| R 135       | HL11VAZ8-5 |                     | ...BOLT-<br>(V56878)<br>(SPEC BACB30NW8K5)<br>(OPT B30NW8K5<br>(V97928))<br>(OPT HL11VAZ8-5<br>(V73197))<br>(OPT HL11VAZ8-5<br>(V92215))<br>(OPT HL11VAZ8-5<br>(V97928))<br>(OPT L803-8K5<br>(V06725))<br>(OPT HL11VAZ8-5<br>(V0PTK6))<br>(OPT HL11VAZ8-5<br>(V60516)) | D        | 4            |

# 55-40-13

ILLUSTRATED PARTS LIST

01.1 Page 1064J

Nov 01/00


**BOEING**  
 COMPONENT  
 MAINTENANCE MANUAL

| FIG. & ITEM | PART NO.   | AIRLINE PART NUMBER | NOMENCLATURE<br>1234567  | EFF CODE | QTY PER ASSY |
|-------------|------------|---------------------|--|----------|--------------|
| R 06-138    | HL11VAZ8-7 |                     | ...BOLT-<br>(V56878)<br>(SPEC BACB30NW8K7)<br>(OPT B30NW8K7<br>(V97928))<br>(OPT HL11VAZ8-7<br>(V73197))<br>(OPT HL11VAZ8-7<br>(V92215))<br>(OPT HL11VAZ8-7<br>(V97928))<br>(OPT L803-8K7<br>(V06725))<br>(OPT HL11VAZ8-7<br>(V0PTK6))<br>(OPT HL11VAZ8-7<br>(V60516)) | D        | 4            |
| R 141       | HL97DU6    |                     | ...COLLAR-<br>(V73197)<br>(SPEC BACC30AB6S)<br>(OPT HL97DU6<br>(V56878))<br>(OPT HL97DU6<br>(V5M902))<br>(OPT ITEM 141A)   | D        | 14           |
| R -141A     | KFN305C3   |                     | ...NUT-<br>(V15653)<br>(OPT ITEM 141)  | D        | 14           |
| R 144       | HL97DU8    |                     | ...COLLAR-<br>(V73197)<br>(SPEC BACC30AB8S)<br>(OPT HL97DU8<br>(V56878))<br>(OPT HL97DU8<br>(V5M902))  | D        | 36           |

55-40-13

 ILLUSTRATED PARTS LIST  
 01.1 Page 1064K  
 Nov 01/00

| FIG. & ITEM | PART NO.    | AIRLINE PART NUMBER | NOMENCLATURE<br>1234567   | EFF CODE | QTY PER ASSY |
|-------------|-------------|---------------------|---|----------|--------------|
|             | 06-         |                     |   |          |              |
| R 147       | 173T2055-5  |                     | ...PLATE-SKIN SPLICE  | D        | 1            |
| R 150       | 173T2055-6  |                     | ...PLATE-SKIN SLPICE  | D        | 1            |
| R 153       | 173T2014-1  |                     | ..DOOR ASSY-INSPECTION<br>ATTACHING PARTS   | D        | 3            |
| R 156       | BACB30NN3R3 |                     | ..BOLT<br>-----*-----   | D        | 24           |
| R 159       | 173T2014-3  |                     | ...SCREW  | D        | 1            |
| R 162       | MS24665-151 |                     | ...PIN  | D        | 1            |
| R 165       | NAS500WC10  |                     | ...SPACER   | D        | 1            |
| R 168       | AF5141-3-2  |                     | ...RIVET-<br>(V53551)<br>(SPEC BACR15DR3A2)<br>(OPT RV541A3-2<br>(V98996))<br>(OPT CCR264CS3-2TT<br>(V11815))   | D        | 16           |
| R 171       | AF5141-3-3  |                     | ...RIVET-<br>(V53551)<br>(SPEC BACR15DR3A3)<br>(OPT RV541A3-3<br>(V98996))<br>(OPT CCR264CS3-3TT<br>(V11815))   | D        | 2            |
| R 174       | BRF200C3D   |                     | ...NUTPLATE-<br>(V52828)<br>(SPEC BACN10JR3CFD)<br>(OPT K51602-3BAC<br>(V15653))<br>(OPT NS202476-02<br>(V80539))<br>(OPT 102F9201-3<br>(V72962))<br>(OPT T8092C1032CD<br>(V11815)) | D        | 9            |
| R 177       | 173T2014-2  |                     | ...BOND ASSY  | D        | 1            |
| R -180      | 173T2007-5  |                     | ..PANEL INSTL-LE<br>(FOR DETAILS SEE FIG. 2)  | D        | 1            |

55-40-13

 ILLUSTRATED PARTS LIST  
 01.1 Page 1064L  
 Nov 01/00


**BOEING**  
 COMPONENT  
 MAINTENANCE MANUAL

| FIG. & ITEM | PART NO.    | AIRLINE PART NUMBER | NOMENCLATURE<br>1234567   | EFF CODE | QTY PER ASSY |
|-------------|-------------|---------------------|---|----------|--------------|
| R 06-183    | HL11VAZ6-3  |                     | ..BOLT-<br>(V56878)<br>(SPEC BACB30NW6K3)<br>(OPT B30NW6K3<br>(V97928))<br>(OPT HL11VAZ6-3<br>(V73197))<br>(OPT HL11VAZ6-3<br>(V92215))<br>(OPT HL11VAZ6-3<br>(V97928))<br>(OPT L803-6K3<br>(V06725))<br>(OPT HL11VAZ6-3<br>(V0PTK6))<br>(OPT HL11VAZ6-3<br>(V60516)) | D        | 10           |
| R 186       | BACB30MY6K3 |                     | ..BOLT  | D        | 47           |
| R 189       | AN960C10L   |                     | ..WASHER  | D        | 47           |
| R 192       | HL97DU6     |                     | ..COLLAR-<br>(V73197)<br>(SPEC BACC30AB6S)<br>(OPT HL97DU6<br>(V56878))<br>(OPT HL97DU6<br>(V5M902))<br>(OPT ITEM 192A)   | D        | 57           |
| R -192A     | KFN305C3    |                     | ..NUT-<br>(V15653)<br>(OPT ITEM 192)  | D        | 57           |
| R -195      | 173T2006-4  |                     | ..SPAR INSTL-FRONT<br>(FOR DETAILS SEE FIG. 7)  | D        | 1            |

55-40-13

 ILLUSTRATED PARTS LIST  
 01.1 Page 1064M  
 Nov 01/00

| FIG. & ITEM | PART NO.   | AIRLINE PART NUMBER | NOMENCLATURE<br>1234567   | EFF CODE | QTY PER ASSY |
|-------------|------------|---------------------|---|----------|--------------|
| R 06-198    | HL11VAZ6-4 |                     | ..BOLT-<br>(V56878)<br>(SPEC BACB30NW6K4)<br>(OPT HL11V6-4<br>(V92215))<br>(OPT HL11V6-4<br>(V97928))<br>(OPT L803-6-4<br>(V06725))<br>(OPT B30NW6K4<br>(V97928))<br>(OPT HL11VAZ6-4<br>(V73197))<br>(OPT HL11VAZ6-4<br>(V92215))<br>(OPT HL11VAZ6-4<br>(V97928)) | D        | 8            |
| R 201       | HL97DU6    |                     | ..COLLAR-<br>(V73197)<br>(SPEC BACC30AB6S)<br>(OPT HL97DU6<br>(V56878))<br>(OPT HL97DU6<br>(V5M902))<br>(OPT ITEM 201A)   | D        | 8            |
| R -201A     | KFN305C3   |                     | ..NUT-<br>(V15653)<br>(OPT ITEM 201)  | D        | 8            |
| R 204       | 173T2013-3 |                     | ..DOUBLER-PNL SKIN  | D        | 2            |

# 55-40-13

 ILLUSTRATED PARTS LIST  
 01.1 Page 1064N  
 Nov 01/00


**BOEING**  
 COMPONENT  
 MAINTENANCE MANUAL

| FIG. & ITEM | PART NO.   | AIRLINE PART NUMBER | NOMENCLATURE<br>1234567   | EFF CODE | QTY PER ASSY |
|-------------|------------|---------------------|---|----------|--------------|
| R 06-207    | HL11VAZ6-4 |                     | ..BOLT-<br>(V56878)<br>(SPEC BACB30NW6K4)<br>(OPT HL11V6-4<br>(V92215))<br>(OPT HL11V6-4<br>(V97928))<br>(OPT L803-6-4<br>(V06725))<br>(OPT B30NW6K4<br>(V97928))<br>(OPT HL11VAZ6-4<br>(V73197))<br>(OPT HL11VAZ6-4<br>(V92215))<br>(OPT HL11VAZ6-4<br>(V97928))     | D        | 8            |
| R 210       | HL11VAZ6-6 |                     | ..BOLT-<br>(V56878)<br>(SPEC BACB30NW6K6)<br>(OPT B30NW6K6<br>(V97928))<br>(OPT HL11VAZ6-6<br>(V73197))<br>(OPT HL11VAZ6-6<br>(V92215))<br>(OPT HL11VAZ6-6<br>(V97928))<br>(OPT L803-6K6<br>(V06725))<br>(OPT HL11VAZ6-6<br>(V0PTK6))<br>(OPT HL11VAZ6-6<br>(V60516)) | D        | 2            |

55-40-13

 ILLUSTRATED PARTS LIST  
 01.1 Page 10640  
 Nov 01/00



| FIG. & ITEM | PART NO.    | AIRLINE PART NUMBER | NOMENCLATURE<br>1234567  | EFF CODE | QTY PER ASSY |
|-------------|-------------|---------------------|--|----------|--------------|
| R 06-213    | HL11RA6-6   |                     | ..BOLT-<br>(V56878)<br>(SPEC BACB30NW6R6)<br>(OPT HL11RA6-6<br>(V92215))<br>(OPT HL11RA6-6<br>(V97928))<br>(OPT L803-6R6<br>(V06725))<br>(OPT HL11RA6-6<br>(V73197))<br>(OPT B30NW6R6<br>(V97928))<br>(OPT HL11RA6-6<br>(V0PTK6))<br>(OPT HL11RA6-6<br>(V60516)) | D        | 1            |
| R 216       | HL97DU6     |                     | ..COLLAR-<br>(V73197)<br>(SPEC BACC30AB6S)<br>(OPT HL97DU6<br>(V56878))<br>(OPT HL97DU6<br>(V5M902))<br>(OPT ITEM 216A)  | D        | 11           |
| R -216A     | KFN305C3    |                     | ..NUT-<br>(V15653)<br>(OPT ITEM 216)   | D        | 11           |
| R 219       | BACB30UR3K6 |                     | ..BOLT   | D        | 2            |
| R 222       | BACB30UR3R6 |                     | ..BOLT   | D        | 1            |
| R 225       | 173T2013-4  |                     | ..DOUBLER-PNL SKIN   | D        | 2            |
| R 228       | 173T2053-43 |                     | ..SHIM   | D        | 2            |
| R 231       | AF5141-3-2  |                     | ..RIVET-<br>(V53551)<br>(SPEC BACR15DR3A2)<br>(OPT RV541A3-2<br>(V98996))<br>(OPT CCR264CS3-2TT<br>(V11815))   | D        | 6            |
| R 234       | NS202495-02 |                     | ..NUTPLATE-<br>(V80539)<br>(SPEC BACN10KE3DCD)<br>(OPT F51753-3DC<br>(V15656))   | D        | 2            |

55-40-13

 ILLUSTRATED PARTS LIST  
 01.1 Page 1064P  
 Nov 01/00


**BOEING**  
 COMPONENT  
 MAINTENANCE MANUAL

| FIG. & ITEM | PART NO.   | AIRLINE PART NUMBER | NOMENCLATURE<br>1234567   | EFF CODE | QTY PER ASSY |
|-------------|------------|---------------------|---|----------|--------------|
| R 06-237    | BRF200C3D  |                     | ..NUTPLATE-<br>(V52828)<br>(SPEC BACN10JR3CFD)<br>(OPT K51602-3BAC<br>(V15653))<br>(OPT NS202476-02<br>(V80539))<br>(OPT 102F9201-3<br>(V72962))<br>(OPT T8092C1032CD<br>(V11815))  | D        | 1            |
| R 238       | 173T2013-1 |                     | ..DOUBLER ASSY-SKIN PNL   | D        | 1            |
| R 239       | 173T2013-2 |                     | ..DOUBLER ASSY-SKIN PNL<br>ATTACHING PARTS  | D        | 1            |
| R 240       | HL11VAZ6-4 |                     | ..BOLT-<br>(V56878)<br>(SPEC BACB30NW6K4)<br>(OPT HL11V6-4<br>(V92215))<br>(OPT HL11V6-4<br>(V97928))<br>(OPT L803-6-4<br>(V06725))<br>(OPT B30NW6K4<br>(V97928))<br>(OPT HL11VAZ6-4<br>(V73197))<br>(OPT HL11VAZ6-4<br>(V92215))<br>(OPT HL11VAZ6-4<br>(V97928)) | D        | 128          |

55-40-13

 ILLUSTRATED PARTS LIST  
 01.1 Page 1064Q  
 Nov 01/00

| FIG. & ITEM | PART NO.   | AIRLINE PART NUMBER | NOMENCLATURE<br>1234567   | EFF CODE | QTY PER ASSY |
|-------------|------------|---------------------|---|----------|--------------|
| R 06-243    | HL11VAZ6-6 |                     | ..BOLT-<br>(V56878)<br>(SPEC BACB30NW6K6)<br>(OPT B30NW6K6<br>(V97928))<br>(OPT HL11VAZ6-6<br>(V73197))<br>(OPT HL11VAZ6-6<br>(V92215))<br>(OPT HL11VAZ6-6<br>(V97928))<br>(OPT L803-6K6<br>(V06725))<br>(OPT HL11VAZ6-6<br>(VOPTK6))<br>(OPT HL11VAZ6-6<br>(V60516)) | D        | 9            |
| R 246       | HL11RA6-6  |                     | ..BOLT-<br>(V56878)<br>(SPEC BACB30NW6R6)<br>(OPT HL11RA6-6<br>(V92215))<br>(OPT HL11RA6-6<br>(V97928))<br>(OPT L803-6R6<br>(V06725))<br>(OPT HL11RA6-6<br>(V73197))<br>(OPT B30NW6R6<br>(V97928))<br>(OPT HL11RA6-6<br>(VOPTK6))<br>(OPT HL11RA6-6<br>(V60516))      | D        | 3            |

**55-40-13**

 ILLUSTRATED PARTS LIST  
 01.1 Page 1064R  
 Nov 01/00


**BOEING**  
 COMPONENT  
 MAINTENANCE MANUAL

| FIG. & ITEM | PART NO.    | AIRLINE PART NUMBER | NOMENCLATURE<br>1234567  | EFF CODE | QTY PER ASSY |
|-------------|-------------|---------------------|--|----------|--------------|
| 06-         |             |                     |  |          |              |
| R 249       | BACB30UR3K6 |                     | ..BOLT   | D        | 9            |
| R 252       | BACB30UR3R6 |                     | ..BOLT   | D        | 3            |
| R 255       | HL97DU6     |                     | ..COLLAR-<br>(V73197)<br>(SPEC BACC30AB6S)<br>(OPT HL97DU6<br>(V56878))<br>(OPT HL97DU6<br>(V5M902))<br>(OPT ITEM 255A)  | D        | 140          |
| R -255A     | KFN305C3    |                     | ..NUT-<br>(V15653)<br>(OPT ITEM 255)   | D        | 140          |
| R 258       | 173T2053-41 |                     | ..SHIM<br>-----*-----  | D        | 6            |
| R 261       | AF5141-3-2  |                     | ..RIVET-<br>(V53551)<br>(SPEC BACR15DR3A2)<br>(OPT RV541A3-2<br>(V98996))<br>(OPT CCR264CS3-2TT<br>(V11815))   | D        | 24           |
| R 264       | NS202495-02 |                     | ..NUTPLATE-<br>(V80539)<br>(SPEC BACN10KE3DCD)<br>(OPT F51753-3DC<br>(V15656))   | D        | 3            |
| R 267       | BRF200C3D   |                     | ..NUTPLATE-<br>(V52828)<br>(SPEC BACN10JR3CFD)<br>(OPT K51602-3BAC<br>(V15653))<br>(OPT NS202476-02<br>(V80539))<br>(OPT 102F9201-3<br>(V72962))<br>(OPT T8092C1032CD<br>(V11815)) | D        | 9            |

55-40-13

 ILLUSTRATED PARTS LIST  
 01.1 Page 1064S  
 Nov 01/00

| FIG. & ITEM | PART NO.    | AIRLINE PART NUMBER | NOMENCLATURE<br>1234567   | EFF CODE | QTY PER ASSY |
|-------------|-------------|---------------------|---|----------|--------------|
| 06-         |             |                     |   |          |              |
| R 270       | 173T2004-17 |                     | ..BOND ASSY-DOUBLER   | D        | 1            |
| R 273       | 173T2004-18 |                     | ..BOND ASSY-DOUBLER<br>ATTACHING PARTS  | D        | 1            |
| R 276       | HL11VAZ6-4  |                     | ..BOLT-<br>(V56878)<br>(SPEC BACB30NW6K4)<br>(OPT HL11V6-4<br>(V92215))<br>(OPT HL11V6-4<br>(V97928))<br>(OPT L803-6-4<br>(V06725))<br>(OPT B30NW6K4<br>(V97928))<br>(OPT HL11VAZ6-4<br>(V73197))<br>(OPT HL11VAZ6-4<br>(V92215))<br>(OPT HL11VAZ6-4<br>(V97928)) | D        | 40           |
| R 279       | HL97DU6     |                     | ..COLLAR-<br>(V73197)<br>(SPEC BACC30AB6S)<br>(OPT HL97DU6<br>(V56878))<br>(OPT HL97DU6<br>(V5M902))<br>(OPT ITEM 279A)   | D        | 40           |
| R -279A     | KFN305C3    |                     | ..NUT-<br>(V15653)<br>(OPT ITEM 279)<br>-----*  | D        | 58           |
| R 282       | 173T2026-10 |                     | ..RIB ASSY-LWR CLOSURE  | D        | 1            |

55-40-13

 ILLUSTRATED PARTS LIST  
 01.1 Page 1064T  
 Nov 01/00


**BOEING**  
 COMPONENT  
 MAINTENANCE MANUAL

| FIG. & ITEM  | PART NO.   | AIRLINE PART NUMBER | NOMENCLATURE<br>1234567  | EFF CODE | QTY PER ASSY |
|--------------|------------|---------------------|--|----------|--------------|
| R 06-<br>285 | HL11VAZ6-4 |                     | ATTACHING PARTS<br>..BOLT-<br>(V56878)<br>(SPEC BACB30NW6K4)<br>(OPT HL11V6-4<br>(V92215))<br>(OPT HL11V6-4<br>(V97928))<br>(OPT L803-6-4<br>(V06725))<br>(OPT B30NW6K4<br>(V97928))<br>(OPT HL11VAZ6-4<br>(V73197))<br>(OPT HL11VAZ6-4<br>(V92215))<br>(OPT HL11VAZ6-4<br>(V97928)) | D        | 30           |
| R 288        | HL11RA6-4  |                     | ..BOLT-<br>(V56878)<br>(SPEC BACB30NW6R4)<br>(OPT HL11RA6-4<br>(V92215))<br>(OPT HL11RA6-4<br>(V97928))<br>(OPT L803-6R4<br>(V06725))<br>(OPT HL11RA6-4<br>(V73197))<br>(OPT B30NW6R4<br>(V97928))<br>(OPT HL11RA6-4<br>(VOPTK6))<br>(OPT HL11RA6-4<br>(V60516))                     | D        | 3            |

55-40-13

 ILLUSTRATED PARTS LIST  
 01.1 Page 1064U  
 Nov 01/00

| FIG. & ITEM | PART NO.   | AIRLINE PART NUMBER | NOMENCLATURE<br>1234567   | EFF CODE | QTY PER ASSY |
|-------------|------------|---------------------|---|----------|--------------|
| R 06-291    | HL11VAZ6-3 |                     | ..BOLT-<br>(V56878)<br>(SPEC BACB30NW6K3)<br>(OPT B30NW6K3<br>(V97928))<br>(OPT HL11VAZ6-3<br>(V73197))<br>(OPT HL11VAZ6-3<br>(V92215))<br>(OPT HL11VAZ6-3<br>(V97928))<br>(OPT L803-6K3<br>(V06725))<br>(OPT HL11VAZ6-3<br>(V0PTK6))<br>(OPT HL11VAZ6-3<br>(V60516)) | D        | 24           |
| R 294       | HL11RA6-3  |                     | ..BOLT-<br>(V56878)<br>(SPEC BACB30NW6R3)<br>(OPT HL11RA6-3<br>(V92215))<br>(OPT HL11RA6-3<br>(V97928))<br>(OPT L803-6R3<br>(V06725))<br>(OPT HL11RA6-3<br>(V73197))<br>(OPT B30NW6R3<br>(V97928))<br>(OPT HL11RA6-3<br>(V0PTK6))<br>(OPT HL11RA6-3<br>(V60516))      | D        | 1            |
| R 297       | HL97DU6    |                     | ..COLLAR-<br>(V73197)<br>(SPEC BACC30AB6S)<br>(OPT HL97DU6<br>(V56878))<br>(OPT HL97DU6<br>(V5M902))<br>(OPT ITEM 297A)   | D        | 58           |
| R -297A     | KFN305C3   |                     | ..NUT-<br>(V15653)<br>(OPT ITEM 297)  | D        | 58           |

55-40-13

 ILLUSTRATED PARTS LIST  
 01.1 Page 1064V  
 Nov 01/00


**BOEING**  
 COMPONENT  
 MAINTENANCE MANUAL

| FIG. & ITEM | PART NO.    | AIRLINE PART NUMBER | NOMENCLATURE<br>1234567  | EFF CODE | QTY PER ASSY |
|-------------|-------------|---------------------|--|----------|--------------|
| 06-         |             |                     |  |          |              |
| R 300       | BACB30UR3K4 |                     | ..BOLT   | D        | 30           |
| R 303       | BACB30UR3R4 |                     | ..BOLT   | D        | 3            |
| R 306       | BACB30UR3K3 |                     | ..BOLT   | D        | 24           |
| R 309       | BACB30UR3R3 |                     | ..BOLT   | D        | 1            |
|             |             |                     | -----*-----  |          |              |
| R 311       | 173T2026-4  |                     | ...BOND ASSY-STIFFENER<br>ATTACHING PARTS  | D        | 1            |
| R 314       | HL11VAZ6-3  |                     | ...BOLT-<br>(V56878)<br>(SPEC BACB30NW6K3)<br>(OPT B30NW6K3<br>(V97928))<br>(OPT HL11VAZ6-3<br>(V73197))<br>(OPT HL11VAZ6-3<br>(V92215))<br>(OPT HL11VAZ6-3<br>(V97928))<br>(OPT L803-6K3<br>(V06725))<br>(OPT HL11VAZ6-3<br>(V0PTK6))<br>(OPT HL11VAZ6-3<br>(V60516)) | D        | 23           |
| R 317       | HL97DU6     |                     | ...COLLAR-<br>(V73197)<br>(SPEC BACC30AB6S)<br>(OPT HL97DU6<br>(V56878))<br>(OPT HL97DU6<br>(V5M902))<br>(OPT ITEM 317A)   | D        | 23           |
| R -317A     | KFN305C3    |                     | ...NUT-<br>(V15653)<br>(OPT ITEM 317)<br>-----*-----   | D        | 23           |

55-40-13

 ILLUSTRATED PARTS LIST  
 01.1 Page 1064W  
 Nov 01/00



| FIG. & ITEM | PART NO.    | AIRLINE PART NUMBER | NOMENCLATURE<br>1234567  | EFF CODE | QTY PER ASSY |
|-------------|-------------|---------------------|--|----------|--------------|
| R 06-320    | HL11VAZ6-3  |                     | ...BOLT-<br>(V56878)<br>(SPEC BACB30NW6K3)<br>(OPT B30NW6K3<br>(V97928))<br>(OPT HL11VAZ6-3<br>(V73197))<br>(OPT HL11VAZ6-3<br>(V92215))<br>(OPT HL11VAZ6-3<br>(V97928))<br>(OPT L803-6K3<br>(V06725))<br>(OPT HL11VAZ6-3<br>(V0PTK6))<br>(OPT HL11VAZ6-3<br>(V60516)) | D        | 20           |
| R 323       | HL97DU6     |                     | ...COLLAR-<br>(V73197)<br>(SPEC BACC30AB6S)<br>(OPT HL97DU6<br>(V56878))<br>(OPT HL97DU6<br>(V5M902))<br>(OPT ITEM 323A)   | D        | 20           |
| R -323A     | KFN305C3    |                     | ...NUT-<br>(V15653)<br>(OPT ITEM 323)  | D        | 20           |
| R 326       | 173T2026-5  |                     | ...RIB-SPLICE PLATE  | D        | 1            |
| R 329       | 173T2026-11 |                     | ...BOND ASSY-FWD RIB   | D        | 1            |
| R 332       | 173T2026-2  |                     | ...BOND ASSY-AFT RIB   | D        | 1            |
| R 335       | AF5141-3-2  |                     | ..RIVET-<br>(V53551)<br>(SPEC BACR15DR3A2)<br>(OPT RV541A3-2<br>(V98996))<br>(OPT CCR264CS3-2TT<br>(V11815))   | D        | 116          |

55-40-13

 ILLUSTRATED PARTS LIST  
 01.1 Page 1064X  
 Nov 01/00


**BOEING**  
 COMPONENT  
 MAINTENANCE MANUAL

| FIG. & ITEM | PART NO.    | AIRLINE PART NUMBER | NOMENCLATURE<br>1234567   | EFF CODE | QTY PER ASSY |
|-------------|-------------|---------------------|---|----------|--------------|
| R 06-338    | BRF200C3D   |                     | ..NUTPLATE-<br>(V52828)<br>(SPEC BACN10JR3CFD)<br>(OPT K51602-3BAC<br>(V15653))<br>(OPT NS202476-02<br>(V80539))<br>(OPT 102F9201-3<br>(V72962))<br>(OPT T8092C1032CD<br>(V11815))  | D        | 58           |
| R 341       | 173T2053-46 |                     | ..SHIM  | D        | 1            |
| R 344       | 173T2027-1  |                     | ..RIB ASSY<br>ATTACHING PARTS   | D        | 1            |
| R 347       | HL11VAZ6-4  |                     | ..BOLT-<br>(V56878)<br>(SPEC BACB30NW6K4)<br>(OPT HL11V6-4<br>(V92215))<br>(OPT HL11V6-4<br>(V97928))<br>(OPT L803-6-4<br>(V06725))<br>(OPT B30NW6K4<br>(V97928))<br>(OPT HL11VAZ6-4<br>(V73197))<br>(OPT HL11VAZ6-4<br>(V92215))<br>(OPT HL11VAZ6-4<br>(V97928)) | D        | 25           |

55-40-13

 ILLUSTRATED PARTS LIST  
 01.1 Page 1064Y  
 Nov 01/00

| FIG. & ITEM | PART NO.   | AIRLINE PART NUMBER | NOMENCLATURE<br>1234567   | EFF CODE | QTY PER ASSY |
|-------------|------------|---------------------|---|----------|--------------|
| R 06-350    | HL11RA6-4  |                     | ..BOLT-<br>(V56878)<br>(SPEC BACB30NW6R4)<br>(OPT HL11RA6-4<br>(V92215))<br>(OPT HL11RA6-4<br>(V97928))<br>(OPT L803-6R4<br>(V06725))<br>(OPT HL11RA6-4<br>(V73197))<br>(OPT B30NW6R4<br>(V97928))<br>(OPT HL11RA6-4<br>(VOPTK6))<br>(OPT HL11RA6-4<br>(V60516))  | D        | 1            |
| R 353       | HL11VAZ6-5 |                     | ..BOLT-<br>(V56878)<br>(SPEC BACB30NW6K5)<br>(OPT HL11V6-5<br>(V92215))<br>(OPT HL11V6-5<br>(V97928))<br>(OPT L803-6-5<br>(V06725))<br>(OPT B30NW6K5<br>(V97928))<br>(OPT HL11VAZ6-5<br>(V73197))<br>(OPT HL11VAZ6-5<br>(V92215))<br>(OPT HL11VAZ6-5<br>(V97928)) | D        | 1            |

55-40-13

 ILLUSTRATED PARTS LIST  
 01.1 Page 1064Z  
 Nov 01/00


**BOEING**  
 COMPONENT  
 MAINTENANCE MANUAL

| FIG. & ITEM | PART NO.    | AIRLINE PART NUMBER | NOMENCLATURE<br>1234567  | EFF CODE | QTY PER ASSY |
|-------------|-------------|---------------------|--|----------|--------------|
| R 06-356    | HL97DU6     |                     | ..COLLAR-<br>(V73197)<br>(SPEC BACC30AB6S)<br>(OPT HL97DU6<br>(V56878))<br>(OPT HL97DU6<br>(V5M902))<br>(OPT ITEM 356A)  | D        | 27           |
| R -356A     | KFN305C3    |                     | ..NUT-<br>(V15653)<br>(OPT ITEM 356)   | D        | 27           |
| R 359       | BACB30UR3K4 |                     | ..BOLT   | D        | 25           |
| R 362       | BACB30UR3R4 |                     | ..BOLT   | D        | 1            |
| R 365       | BACB30UR3K5 |                     | ..BOLT   | D        | 1            |
| R 368       | 173T2053-42 |                     | ..SHIM   | D        | 2            |
|             |             |                     | -----*-----  |          |              |
| R 371       | AF5141-3-2  |                     | ..RIVET-<br>(V53551)<br>(SPEC BACR15DR3A2)<br>(OPT RV541A3-2<br>(V98996))<br>(OPT CCR264CS3-2TT<br>(V11815))   | D        | 54           |
| R 374       | NS202495-02 |                     | ..NUTPLATE-<br>(V80539)<br>(SPEC BACN10KE3DCD)<br>(OPT F51753-3DC<br>(V15656))   | D        | 2            |
| R 377       | BRF200C3D   |                     | ..NUTPLATE-<br>(V52828)<br>(SPEC BACN10JR3CFD)<br>(OPT K51602-3BAC<br>(V15653))<br>(OPT NS202476-02<br>(V80539))<br>(OPT 102F9201-3<br>(V72962))<br>(OPT T8092C1032CD<br>(V11815)) | D        | 25           |

55-40-13

 ILLUSTRATED PARTS LIST  
 01.1 Page 1065  
 Nov 01/00

| FIG. & ITEM | PART NO.   | AIRLINE PART NUMBER | NOMENCLATURE<br>1234567   | EFF CODE | QTY PER ASSY |
|-------------|------------|---------------------|---|----------|--------------|
| R 06-380    | 173T2028-1 |                     | ..RIB ASSY<br>ATTACHING PARTS   | D        | 1            |
| R 383       | HL11VAZ6-4 |                     | ..BOLT-<br>(V56878)<br>(SPEC BACB30NW6K4)<br>(OPT HL11V6-4<br>(V92215))<br>(OPT HL11V6-4<br>(V97928))<br>(OPT L803-6-4<br>(V06725))<br>(OPT B30NW6K4<br>(V97928))<br>(OPT HL11VAZ6-4<br>(V73197))<br>(OPT HL11VAZ6-4<br>(V92215))<br>(OPT HL11VAZ6-4<br>(V97928)) | D        | 20           |
| R 386       | HL11RA6-3  |                     | ..BOLT-<br>(V56878)<br>(SPEC BACB30NW6R3)<br>(OPT HL11RA6-3<br>(V92215))<br>(OPT HL11RA6-3<br>(V97928))<br>(OPT L803-6R3<br>(V06725))<br>(OPT HL11RA6-3<br>(V73197))<br>(OPT B30NW6R3<br>(V97928))<br>(OPT HL11RA6-3<br>(V0PTK6))<br>(OPT HL11RA6-3<br>(V60516))  | D        | 1            |

# 55-40-13

 ILLUSTRATED PARTS LIST  
 01.1 Page 1066  
 Nov 01/00


**BOEING**  
 COMPONENT  
 MAINTENANCE MANUAL

| FIG. & ITEM | PART NO.    | AIRLINE PART NUMBER | NOMENCLATURE<br>1234567   | EFF CODE | QTY PER ASSY |
|-------------|-------------|---------------------|---|----------|--------------|
| R 06-389    | HL11VAZ6-5  |                     | ..BOLT-<br>(V56878)<br>(SPEC BACB30NW6K5)<br>(OPT HL11V6-5<br>(V92215))<br>(OPT HL11V6-5<br>(V97928))<br>(OPT L803-6-5<br>(V06725))<br>(OPT B30NW6K5<br>(V97928))<br>(OPT HL11VAZ6-5<br>(V73197))<br>(OPT HL11VAZ6-5<br>(V92215))<br>(OPT HL11VAZ6-5<br>(V97928)) | D        | 1            |
| R 392       | HL97DU6     |                     | ..COLLAR-<br>(V73197)<br>(SPEC BACC30AB6S)<br>(OPT HL97DU6<br>(V56878))<br>(OPT HL97DU6<br>(V5M902))<br>(OPT ITEM 392A)   | D        | 22           |
| R -392A     | KFN305C3    |                     | ..NUT-<br>(V15653)<br>(OPT ITEM 392)  | D        | 22           |
| R 395       | BACB30UR3K4 |                     | ..BOLT  | D        | 20           |
| R 398       | BACB30UR3R3 |                     | ..BOLT  | D        | 1            |
| R 401       | BACB30UR3K5 |                     | ..BOLT  | D        | 1            |
| R 404       | 173T2053-42 |                     | ..SHIM<br>-----*-----   | D        | 2            |
| R 407       | AF5141-3-2  |                     | ..RIVET-<br>(V53551)<br>(SPEC BACR15DR3A2)<br>(OPT RV541A3-2<br>(V98996))<br>(OPT CCR264CS3-2TT<br>(V11815))  | D        | 44           |
| R 410       | NS202495-02 |                     | ..NUTPLATE-<br>(V80539)<br>(SPEC BACN10KE3DCD)<br>(OPT F51753-3DC<br>(V15656))  | D        | 3            |

55-40-13

 ILLUSTRATED PARTS LIST  
 01.1 Page 1066A  
 Nov 01/00

| FIG. & ITEM | PART NO.   | AIRLINE PART NUMBER | NOMENCLATURE<br>1234567   | EFF CODE | QTY PER ASSY |
|-------------|------------|---------------------|---|----------|--------------|
| R 06-413    | BRF200C3D  |                     | ..NUTPLATE-<br>(V52828)<br>(SPEC BACN10JR3CFD)<br>(OPT K51602-3BAC<br>(V15653))<br>(OPT NS202476-02<br>(V80539))<br>(OPT 102F9201-3<br>(V72962))<br>(OPT T8092C1032CD<br>(V11815))  | D        | 19           |
| R 416       | 173T2029-1 |                     | ..RIB ASSY<br>ATTACHING PARTS   | D        | 1            |
| R 419       | HL11VAZ6-4 |                     | ..BOLT-<br>(V56878)<br>(SPEC BACB30NW6K4)<br>(OPT HL11V6-4<br>(V92215))<br>(OPT HL11V6-4<br>(V97928))<br>(OPT L803-6-4<br>(V06725))<br>(OPT B30NW6K4<br>(V97928))<br>(OPT HL11VAZ6-4<br>(V73197))<br>(OPT HL11VAZ6-4<br>(V92215))<br>(OPT HL11VAZ6-4<br>(V97928)) | D        | 18           |

# 55-40-13

 ILLUSTRATED PARTS LIST  
 01.1 Page 1066B  
 Nov 01/00


**BOEING**  
 COMPONENT  
 MAINTENANCE MANUAL

| FIG. & ITEM | PART NO.   | AIRLINE PART NUMBER | NOMENCLATURE<br>1234567   | EFF CODE | QTY PER ASSY |
|-------------|------------|---------------------|---|----------|--------------|
| R 06-422    | HL11RA6-3  |                     | ..BOLT-<br>(V56878)<br>(SPEC BACB30NW6R3)<br>(OPT HL11RA6-3<br>(V92215))<br>(OPT HL11RA6-3<br>(V97928))<br>(OPT L803-6R3<br>(V06725))<br>(OPT HL11RA6-3<br>(V73197))<br>(OPT B30NW6R3<br>(V97928))<br>(OPT HL11RA6-3<br>(V0PTK6))<br>(OPT HL11RA6-3<br>(V60516))  | D        | 1            |
| R 425       | HL11VAZ6-5 |                     | ..BOLT-<br>(V56878)<br>(SPEC BACB30NW6K5)<br>(OPT HL11V6-5<br>(V92215))<br>(OPT HL11V6-5<br>(V97928))<br>(OPT L803-6-5<br>(V06725))<br>(OPT B30NW6K5<br>(V97928))<br>(OPT HL11VAZ6-5<br>(V73197))<br>(OPT HL11VAZ6-5<br>(V92215))<br>(OPT HL11VAZ6-5<br>(V97928)) | D        | 1            |

55-40-13

 ILLUSTRATED PARTS LIST  
 01.1 Page 1066C  
 Nov 01/00



| FIG. & ITEM | PART NO.    | AIRLINE PART NUMBER | NOMENCLATURE<br>1234567  | EFF CODE | QTY PER ASSY |
|-------------|-------------|---------------------|--|----------|--------------|
| R 06-428    | HL97DU6     |                     | ..COLLAR-<br>(V73197)<br>(SPEC BACC30AB6S)<br>(OPT HL97DU6<br>(V56878))<br>(OPT HL97DU6<br>(V5M902))<br>(OPT ITEM 428A)  | D        | 20           |
| R -428A     | KFN305C3    |                     | ..NUT-<br>(V15653)<br>(OPT ITEM 428)   | D        | 20           |
| R 431       | BACB30UR3K4 |                     | ..BOLT   | D        | 18           |
| R 434       | BACB30UR3R3 |                     | ..BOLT   | D        | 1            |
| R 437       | BACB30UR3K5 |                     | ..BOLT   | D        | 1            |
| R 440       | 173T2053-42 |                     | ..SHIM<br>-----*   | D        | 2            |
| R 443       | AF5141-3-2  |                     | ..RIVET-<br>(V53551)<br>(SPEC BACR15DR3A2)<br>(OPT RV541A3-2<br>(V98996))<br>(OPT CCR264CS3-2TT<br>(V11815))   | D        | 40           |
| R 446       | BRF200C3D   |                     | ..NUTPLATE-<br>(V52828)<br>(SPEC BACN10JR3CFD)<br>(OPT K51602-3BAC<br>(V15653))<br>(OPT NS202476-02<br>(V80539))<br>(OPT 102F9201-3<br>(V72962))<br>(OPT T8092C1032CD<br>(V11815)) | D        | 17           |

55-40-13

 ILLUSTRATED PARTS LIST  
 01.1 Page 1066D  
 Nov 01/00


**BOEING**  
 COMPONENT  
 MAINTENANCE MANUAL

| FIG. & ITEM | PART NO.    | AIRLINE PART NUMBER | NOMENCLATURE<br>1234567   | EFF CODE | QTY PER ASSY |
|-------------|-------------|---------------------|---|----------|--------------|
| R 06-449    | NS202495-02 |                     | ..NUTPLATE-<br>(V80539)<br>(SPEC BACN10KE3DCD)<br>(OPT F51753-3DC<br>(V15656))  | D        | 3            |
| R 452       | 173T2030-1  |                     | ..RIB ASSY<br>ATTACHING PARTS   | D        | 1            |
| R 455       | HL11VAZ6-4  |                     | ..BOLT-<br>(V56878)<br>(SPEC BACB30NW6K4)<br>(OPT HL11V6-4<br>(V92215))<br>(OPT HL11V6-4<br>(V97928))<br>(OPT L803-6-4<br>(V06725))<br>(OPT B30NW6K4<br>(V97928))<br>(OPT HL11VAZ6-4<br>(V73197))<br>(OPT HL11VAZ6-4<br>(V92215))<br>(OPT HL11VAZ6-4<br>(V97928)) | D        | 17           |
| R 458       | HL11RA6-3   |                     | ..BOLT-<br>(V56878)<br>(SPEC BACB30NW6R3)<br>(OPT HL11RA6-3<br>(V92215))<br>(OPT HL11RA6-3<br>(V97928))<br>(OPT L803-6R3<br>(V06725))<br>(OPT HL11RA6-3<br>(V73197))<br>(OPT B30NW6R3<br>(V97928))<br>(OPT HL11RA6-3<br>(V0PTK6))<br>(OPT HL11RA6-3<br>(V60516))  | D        | 1            |

55-40-13

 ILLUSTRATED PARTS LIST  
 01.1 Page 1066E  
 Nov 01/00

| FIG. & ITEM | PART NO.    | AIRLINE PART NUMBER | NOMENCLATURE<br>1234567   | EFF CODE | QTY PER ASSY |
|-------------|-------------|---------------------|---|----------|--------------|
| R 06-461    | HL11VAZ6-5  |                     | ..BOLT-<br>(V56878)<br>(SPEC BACB30NW6K5)<br>(OPT HL11V6-5<br>(V92215))<br>(OPT HL11V6-5<br>(V97928))<br>(OPT L803-6-5<br>(V06725))<br>(OPT B30NW6K5<br>(V97928))<br>(OPT HL11VAZ6-5<br>(V73197))<br>(OPT HL11VAZ6-5<br>(V92215))<br>(OPT HL11VAZ6-5<br>(V97928)) | D        | 1            |
| R 464       | HL97DU6     |                     | ..COLLAR-<br>(V73197)<br>(SPEC BACC30AB6S)<br>(OPT HL97DU6<br>(V56878))<br>(OPT HL97DU6<br>(V5M902))<br>(OPT ITEM 464A)   | D        | 19           |
| R -464A     | KFN305C3    |                     | ..NUT-<br>(V15653)<br>(OPT ITEM 464)  | D        | 19           |
| R 467       | BACB30UR3K4 |                     | ..BOLT  | D        | 17           |
| R 470       | BACB30UR3R3 |                     | ..BOLT  | D        | 1            |
| R 473       | BACB30UR3K5 |                     | ..BOLT  | D        | 1            |
| R 476       | 173T2053-42 |                     | ..SHIM<br>-----*  | D        | 2            |
| R 479       | AF5141-3-2  |                     | ..RIVET-<br>(V53551)<br>(SPEC BACR15DR3A2)<br>(OPT RV541A3-2<br>(V98996))<br>(OPT CCR264CS3-2TT<br>(V11815))  | D        | 38           |

55-40-13

 ILLUSTRATED PARTS LIST  
 01.1 Page 1066F  
 Nov 01/00


**BOEING**  
 COMPONENT  
 MAINTENANCE MANUAL

| FIG. & ITEM | PART NO.    | AIRLINE PART NUMBER | NOMENCLATURE<br>1234567   | EFF CODE | QTY PER ASSY |
|-------------|-------------|---------------------|---|----------|--------------|
| R 06-482    | BRF200C3D   |                     | ..NUTPLATE-<br>(V52828)<br>(SPEC BACN10JR3CFD)<br>(OPT K51602-3BAC<br>(V15653))<br>(OPT NS202476-02<br>(V80539))<br>(OPT 102F9201-3<br>(V72962))<br>(OPT T8092C1032CD<br>(V11815))  | D        | 16           |
| R 485       | NS202495-02 |                     | ..NUTPLATE-<br>(V80539)<br>(SPEC BACN10KE3DCD)<br>(OPT F51753-3DC<br>(V15656))  | D        | 3            |
| R 488       | 173T2031-1  |                     | ..RIB ASSY<br>ATTACHING PARTS   | D        | 1            |
| R 491       | HL11VAZ6-7  |                     | ..BOLT-<br>(V56878)<br>(SPEC BACB30NW6K7)<br>(OPT HL11V6-7<br>(V92215))<br>(OPT HL11V6-7<br>(V97928))<br>(OPT L803-6-7<br>(V06725))<br>(OPT B30NW6K7<br>(V97928))<br>(OPT HL11VAZ6-7<br>(V73197))<br>(OPT HL11VAZ6-7<br>(V92215))<br>(OPT HL11VAZ6-7<br>(V97928)) | D        | 1            |

55-40-13

 ILLUSTRATED PARTS LIST  
 01.1 Page 1066G  
 Nov 01/00

| FIG. & ITEM | PART NO.   | AIRLINE PART NUMBER | NOMENCLATURE<br>1234567   | EFF CODE | QTY PER ASSY |
|-------------|------------|---------------------|---|----------|--------------|
| R 06-494    | HL11VAZ6-5 |                     | ..BOLT-<br>(V56878)<br>(SPEC BACB30NW6K5)<br>(OPT HL11V6-5<br>(V92215))<br>(OPT HL11V6-5<br>(V97928))<br>(OPT L803-6-5<br>(V06725))<br>(OPT B30NW6K5<br>(V97928))<br>(OPT HL11VAZ6-5<br>(V73197))<br>(OPT HL11VAZ6-5<br>(V92215))<br>(OPT HL11VAZ6-5<br>(V97928)) | D        | 15           |
| R 497       | HL11RA6-5  |                     | ..BOLT-<br>(V56878)<br>(SPEC BACB30NW6R5)<br>(OPT HL11RA6-5<br>(V92215))<br>(OPT HL11RA6-5<br>(V97928))<br>(OPT L803-6R5<br>(V06725))<br>(OPT HL11RA6-5<br>(V73197))<br>(OPT B30NW6R5<br>(V97928))<br>(OPT HL11RA6-5<br>(VOPTK6))<br>(OPT HL11RA6-5<br>(V60516))  | D        | 2            |

55-40-13

 ILLUSTRATED PARTS LIST  
 01.1 Page 1066H  
 Nov 01/00


**BOEING**  
 COMPONENT  
 MAINTENANCE MANUAL

| FIG. & ITEM | PART NO.    | AIRLINE PART NUMBER | NOMENCLATURE<br>1234567  | EFF CODE | QTY PER ASSY |
|-------------|-------------|---------------------|--|----------|--------------|
| R 06-500    | HL97DU6     |                     | ..COLLAR-<br>(V73197)<br>(SPEC BACC30AB6S)<br>(OPT HL97DU6<br>(V56878))<br>(OPT HL97DU6<br>(V5M902))<br>(OPT ITEM 500A)  | D        | 18           |
| R 503       | BACB30UR3K7 |                     | ..BOLT   | D        | 1            |
| R 506       | BACB30UR3K5 |                     | ..BOLT   | D        | 15           |
| R 509       | BACB30UR3R5 |                     | ..BOLT   | D        | 2            |
| R 511       | 173T2053-42 |                     | ..SHIM<br>-----*   | D        | 2            |
| R 514       | AF5141-3-2  |                     | ..RIVET-<br>(V53551)<br>(SPEC BACR15DR3A2)<br>(OPT RV541A3-2<br>(V98996))<br>(OPT CCR264CS3-2TT<br>(V11815))   | D        | 36           |
| R 517       | NS202495-02 |                     | ..NUTPLATE-<br>(V80539)<br>(SPEC BACN10KE3DCD)<br>(OPT F51753-3DC<br>(V15656))   | D        | 1            |
| R 520       | BRF200C3D   |                     | ..NUTPLATE-<br>(V52828)<br>(SPEC BACN10JR3CFD)<br>(OPT K51602-3BAC<br>(V15653))<br>(OPT NS202476-02<br>(V80539))<br>(OPT 102F9201-3<br>(V72962))<br>(OPT T8092C1032CD<br>(V11815)) | D        | 17           |

55-40-13

 ILLUSTRATED PARTS LIST  
 01.1 Page 1066I  
 Nov 01/00

| FIG. & ITEM | PART NO.   | AIRLINE PART NUMBER | NOMENCLATURE<br>1234567   | EFF CODE | QTY PER ASSY |
|-------------|------------|---------------------|---|----------|--------------|
| R 06-523    | 173T2032-1 |                     | ..RIB ASSY<br>ATTACHING PARTS   | D        | 1            |
| R 526       | HL11VAZ6-3 |                     | ..BOLT-<br>(V56878)<br>(SPEC BACB30NW6K3)<br>(OPT B30NW6K3<br>(V97928))<br>(OPT HL11VAZ6-3<br>(V73197))<br>(OPT HL11VAZ6-3<br>(V92215))<br>(OPT HL11VAZ6-3<br>(V97928))<br>(OPT L803-6K3<br>(V06725))<br>(OPT HL11VAZ6-3<br>(VOPTK6))<br>(OPT HL11VAZ6-3<br>(V60516)) | D        | 11           |
| R 529       | HL11RA6-3  |                     | ..BOLT-<br>(V56878)<br>(SPEC BACB30NW6R3)<br>(OPT HL11RA6-3<br>(V92215))<br>(OPT HL11RA6-3<br>(V97928))<br>(OPT L803-6R3<br>(V06725))<br>(OPT HL11RA6-3<br>(V73197))<br>(OPT B30NW6R3<br>(V97928))<br>(OPT HL11RA6-3<br>(VOPTK6))<br>(OPT HL11RA6-3<br>(V60516))      | D        | 2            |

55-40-13

 ILLUSTRATED PARTS LIST  
 01.1 Page 1066J  
 Nov 01/00


**BOEING**  
 COMPONENT  
 MAINTENANCE MANUAL

| FIG. & ITEM | PART NO.    | AIRLINE PART NUMBER | NOMENCLATURE<br>1234567   | EFF CODE | QTY PER ASSY |
|-------------|-------------|---------------------|---|----------|--------------|
| R 06-532    | HL11VAZ6-5  |                     | ..BOLT-<br>(V56878)<br>(SPEC BACB30NW6K5)<br>(OPT HL11V6-5<br>(V92215))<br>(OPT HL11V6-5<br>(V97928))<br>(OPT L803-6-5<br>(V06725))<br>(OPT B30NW6K5<br>(V97928))<br>(OPT HL11VAZ6-5<br>(V73197))<br>(OPT HL11VAZ6-5<br>(V92215))<br>(OPT HL11VAZ6-5<br>(V97928)) | D        | 1            |
| R 535       | HL97DU6     |                     | ..COLLAR-<br>(V73197)<br>(SPEC BACC30AB6S)<br>(OPT HL97DU6<br>(V56878))<br>(OPT HL97DU6<br>(V5M902))<br>(OPT ITEM 535A)   | D        | 14           |
| R -535A     | KFN305C3    |                     | ..NUT-<br>(V15653)<br>(OPT ITEM 535)  | D        | 14           |
| R 538       | BACB30UR3K3 |                     | ..BOLT  | D        | 11           |
| R 541       | BACB30UR3R3 |                     | ..BOLT  | D        | 2            |
| R 544       | BACB30UR3K5 |                     | ..BOLT  | D        | 1            |
| R 547       | 173T2053-42 |                     | ..SHIM<br>-----*-----   | D        | 2            |
| R 550       | AF5141-3-2  |                     | ..RIVET-<br>(V53551)<br>(SPEC BACR15DR3A2)<br>(OPT RV541A3-2<br>(V98996))<br>(OPT CCR264CS3-2TT<br>(V11815))  | D        | 28           |

55-40-13

 ILLUSTRATED PARTS LIST  
 01.1 Page 1066K  
 Nov 01/00



| FIG. & ITEM | PART NO.    | AIRLINE PART NUMBER | NOMENCLATURE<br>1234567   | EFF CODE | QTY PER ASSY |
|-------------|-------------|---------------------|---|----------|--------------|
| R 06-553    | BRF200C3D   |                     | ..NUTPLATE-<br>(V52828)<br>(SPEC BACN10JR3CFD)<br>(OPT K51602-3BAC<br>(V15653))<br>(OPT NS202476-02<br>(V80539))<br>(OPT 102F9201-3<br>(V72962))<br>(OPT T8092C1032CD<br>(V11815))  | D        | 11           |
| R 556       | NS202495-02 |                     | ..NUTPLATE-<br>(V80539)<br>(SPEC BACN10KE3DCD)<br>(OPT F51753-3DC<br>(V15656))  | D        | 3            |
| R -559      | 173T2005-1  |                     | ..SPAR INSTL-REAR<br>ATTACHING PARTS  | D        | 1            |
| R 562       | HL11VAZ6-3  |                     | ..BOLT-<br>(V56878)<br>(SPEC BACB30NW6K3)<br>(OPT B30NW6K3<br>(V97928))<br>(OPT HL11VAZ6-3<br>(V73197))<br>(OPT HL11VAZ6-3<br>(V92215))<br>(OPT HL11VAZ6-3<br>(V97928))<br>(OPT L803-6K3<br>(V06725))<br>(OPT HL11VAZ6-3<br>(V0PTK6))<br>(OPT HL11VAZ6-3<br>(V60516)) | D        | 250          |

55-40-13

 ILLUSTRATED PARTS LIST  
 01.1 Page 1066L  
 Nov 01/00


**BOEING**  
 COMPONENT  
 MAINTENANCE MANUAL

| FIG. & ITEM | PART NO.    | AIRLINE PART NUMBER | NOMENCLATURE<br>1234567   | EFF CODE | QTY PER ASSY |
|-------------|-------------|---------------------|---|----------|--------------|
| R 06-565    | HL11VAZ6-5  |                     | ..BOLT-<br>(V56878)<br>(SPEC BACB30NW6K5)<br>(OPT HL11V6-5<br>(V92215))<br>(OPT HL11V6-5<br>(V97928))<br>(OPT L803-6-5<br>(V06725))<br>(OPT B30NW6K5<br>(V97928))<br>(OPT HL11VAZ6-5<br>(V73197))<br>(OPT HL11VAZ6-5<br>(V92215))<br>(OPT HL11VAZ6-5<br>(V97928)) | D        | 11           |
| R 568       | HL97DU6     |                     | ..COLLAR-<br>(V73197)<br>(SPEC BACC30AB6S)<br>(OPT HL97DU6<br>(V56878))<br>(OPT HL97DU6<br>(V5M902))<br>(OPT ITEM 568A)   | D        | 261          |
| R -568A     | KFN305C3    |                     | ..NUT-<br>(V15653)<br>(OPT ITEM 568)  | D        | 261          |
| R 571       | BACB30UR3K3 |                     | ..BOLT  | D        | 250          |
| R 574       | BACB30UR3K5 |                     | ..BOLT  | D        | 11           |

55-40-13

 ILLUSTRATED PARTS LIST  
 01.1 Page 1066M  
 Nov 01/00



COMPONENT  
MAINTENANCE MANUAL

| FIG. & ITEM | PART NO.    | AIRLINE PART NUMBER | NOMENCLATURE<br>1234567  | EFF CODE | QTY PER ASSY |
|-------------|-------------|---------------------|--|----------|--------------|
| 06-         |             |                     |  |          |              |
| R 577       | 173T2053-39 |                     | ..SHIM   | D        | 4            |
| R 580       | 173T2053-40 |                     | ..SHIM   | D        | 4            |
|             |             |                     | -----*-----  |          |              |
| R 583       | AF5141-3-2  |                     | ..RIVET-<br>(V53551)<br>(SPEC BACR15DR3A2)<br>(OPT RV541A3-2<br>(V98996))<br>(OPT CCR264CS3-2TT<br>(V11815))   | D        | 522          |
| R 586       | BRF200C3D   |                     | ..NUTPLATE-<br>(V52828)<br>(SPEC BACN10JR3CFD)<br>(OPT K51602-3BAC<br>(V15653))<br>(OPT NS202476-02<br>(V80539))<br>(OPT 102F9201-3<br>(V72962))<br>(OPT T8092C1032CD<br>(V11815))   | D        | 261          |
| R 589       | HL11VAZ6-3  |                     | ...BOLT-<br>(V56878)<br>(SPEC BACB30NW6K3)<br>(OPT B30NW6K3<br>(V97928))<br>(OPT HL11VAZ6-3<br>(V73197))<br>(OPT HL11VAZ6-3<br>(V92215))<br>(OPT HL11VAZ6-3<br>(V97928))<br>(OPT L803-6K3<br>(V06725))<br>(OPT HL11VAZ6-3<br>(VOPTK6))<br>(OPT HL11VAZ6-3<br>(V60516)) | D        | 5            |
| R 592       | BACB30MY6K3 |                     | ...BOLT  | D        | 5            |

55-40-13


**BOEING**  
 COMPONENT  
 MAINTENANCE MANUAL

| FIG. & ITEM | PART NO.    | AIRLINE PART NUMBER | NOMENCLATURE<br>1234567   | EFF CODE | QTY PER ASSY |
|-------------|-------------|---------------------|---|----------|--------------|
| R 06-595    | HL97DU6     |                     | ...COLLAR-<br>(V73197)<br>(SPEC BACC30AB6S)<br>(OPT HL97DU6<br>(V56878))<br>(OPT HL97DU6<br>(V5M902)) | D        | 10           |
| R 598       | 173T2025-15 |                     | ...RIB-LWR CLOSURE  | D        | 1            |
| R 601       | BACB30MY6K3 |                     | ...BOLT   | D        | 10           |
| R 604       | HL97DU6     |                     | ...COLLAR-<br>(V73197)<br>(SPEC BACC30AB6S)<br>(OPT HL97DU6<br>(V56878))<br>(OPT HL97DU6<br>(V5M902)) | D        | 10           |
| R 607       | 173T2025-16 |                     | ...RIB-FWD  | D        | 1            |
| R 610       | BACB30MY6K4 |                     | ...BOLT   | D        | 5            |
| R 613       | BACB30MY6K3 |                     | ...BOLT   | D        | 10           |
| R 616       | HL97DU6     |                     | ...COLLAR-<br>(V73197)<br>(SPEC BACC30AB6S)<br>(OPT HL97DU6<br>(V56878))<br>(OPT HL97DU6<br>(V5M902)) | D        | 15           |
| R 619       | 173T2025-17 |                     | ...RIB-FWD  | D        | 1            |
| R 622       | 173T2025-18 |                     | ...RIB-AFT  | D        | 1            |
| R 625       | BACB30MY6K3 |                     | ...BOLT   | D        | 8            |
| R 628       | HL97DU6     |                     | ...COLLAR-<br>(V73197)<br>(SPEC BACC30AB6S)<br>(OPT HL97DU6<br>(V56878))<br>(OPT HL97DU6<br>(V5M902)) | D        | 8            |

55-40-13

 ILLUSTRATED PARTS LIST  
 01.1 Page 10660  
 Nov 01/00

| FIG. & ITEM | PART NO. | AIRLINE PART NUMBER | NOMENCLATURE<br>1234567   | EFF CODE | QTY PER ASSY |
|-------------|----------|---------------------|---|----------|--------------|
|             | 06-      |                     |   |          |              |
| R           | 631      | 173T2025-19         | ...RIB-FWD  | D        | 1            |
| R           | 634      | BACB30MY6K4         | ...BOLT   | D        | 4            |
| R           | 637      | BACB30MY6K3         | ...BOLT   | D        | 8            |
| R           | 640      | HL97DU6             | ...COLLAR-<br>(V73197)<br>(SPEC BACC30AB6S)<br>(OPT HL97DU6<br>(V56878))<br>(OPT HL97DU6<br>(V5M902)) | D        | 12           |
| R           | 643      | 173T2025-20         | ...RIB-FWD  | D        | 1            |
| R           | 646      | 173T2025-21         | ...RIB-AFT  | D        | 1            |
| R           | 649      | BACB30MY6K4         | ...BOLT   | D        | 3            |
| R           | 652      | BACB30MY6K3         | ...BOLT   | D        | 6            |
| R           | 655      | HL97DU6             | ...COLLAR-<br>(V73197)<br>(SPEC BACC30AB6S)<br>(OPT HL97DU6<br>(V56878))<br>(OPT HL97DU6<br>(V5M902)) | D        | 9            |
| R           | 658      | 173T2025-22         | ...RIB-FWD  | D        | 1            |
| R           | 661      | 173T2025-23         | ...RIB-AFT  | D        | 1            |
| R           | 664      | BACB30MY6K4         | ...BOLT   | D        | 3            |
| R           | 667      | BACB30MY6K3         | ...BOLT   | D        | 6            |
| R           | 670      | HL97DU6             | ...COLLAR-<br>(V73197)<br>(SPEC BACC30AB6S)<br>(OPT HL97DU6<br>(V56878))<br>(OPT HL97DU6<br>(V5M902)) | D        | 9            |

# 55-40-13

 ILLUSTRATED PARTS LIST  
 01.1 Page 1066P  
 Nov 01/00


**BOEING**  
 COMPONENT  
 MAINTENANCE MANUAL

| FIG. & ITEM | PART NO.    | AIRLINE PART NUMBER | NOMENCLATURE<br>1234567   | EFF CODE | QTY PER ASSY |
|-------------|-------------|---------------------|---|----------|--------------|
| 06-         |             |                     |   |          |              |
| R 673       | 173T2025-24 |                     | ...RIB-FWD  | D        | 1            |
| R 676       | 173T2025-25 |                     | ...RIB-AFT  | D        | 1            |
| R 679       | BACB30MY6K3 |                     | ...BOLT   | D        | 4            |
| R 682       | HL97DU6     |                     | ...COLLAR-<br>(V73197)<br>(SPEC BACC30AB6S)<br>(OPT HL97DU6<br>(V56878))<br>(OPT HL97DU6<br>(V5M902))   | D        | 4            |
| R 685       | 173T2025-26 |                     | ...RIB  | D        | 1            |
| R 688       | BACB30MY6K3 |                     | ...BOLT   | D        | 2            |
| R 691       | HL97DU6     |                     | ...COLLAR-<br>(V73197)<br>(SPEC BACC30AB6S)<br>(OPT HL97DU6<br>(V56878))<br>(OPT HL97DU6<br>(V5M902))   | D        | 2            |
| R 694       | 173T2015-1  |                     | ...BOND ASSY  | D        | 1            |
| R 697       | HL11VAZ8-5  |                     | ..BOLT-<br>(V56878)<br>(SPEC BACB30NW8K5)<br>(OPT B30NW8K5<br>(V97928))<br>(OPT HL11VAZ8-5<br>(V73197))<br>(OPT HL11VAZ8-5<br>(V92215))<br>(OPT HL11VAZ8-5<br>(V97928))<br>(OPT L803-8K5<br>(V06725))<br>(OPT HL11VAZ8-5<br>(V0PTK6))<br>(OPT HL11VAZ8-5<br>(V60516)) | D        | 4            |

55-40-13

 ILLUSTRATED PARTS LIST  
 01.1 Page 1066Q  
 Nov 01/00

| FIG. & ITEM | PART NO.    | AIRLINE PART NUMBER | NOMENCLATURE<br>1234567   | EFF CODE | QTY PER ASSY |
|-------------|-------------|---------------------|---|----------|--------------|
| R 06-700    | HL97DU8     |                     | ..COLLAR-<br>(V73197)<br>(SPEC BACC30AB8S)<br>(OPT HL97DU8<br>(V56878))<br>(OPT HL97DU8<br>(V5M902))  | D        | 4            |
| R 703       | 173T2053-76 |                     | ..SHIM  | D        | 2            |
| R 706       | 173T2025-27 |                     | ..CHANNEL   | D        | 1            |
| R 709       | MILP15035   |                     | ..SHIM  | D        | AR           |
| R 712       | 173T2028-2  |                     | ..RIB ASSY<br>ATTACHING PARTS   | D        | 1            |
| R 715       | HL11VAZ6-3  |                     | ..BOLT-<br>(V56878)<br>(SPEC BACB30NW6K3)<br>(OPT B30NW6K3<br>(V97928))<br>(OPT HL11VAZ6-3<br>(V73197))<br>(OPT HL11VAZ6-3<br>(V92215))<br>(OPT HL11VAZ6-3<br>(V97928))<br>(OPT L803-6K3<br>(V06725))<br>(OPT HL11VAZ6-3<br>(V0PTK6))<br>(OPT HL11VAZ6-3<br>(V60516)) | D        | 17           |

# 55-40-13

 ILLUSTRATED PARTS LIST  
 01.1 Page 1066R  
 Nov 01/00


**BOEING**  
 COMPONENT  
 MAINTENANCE MANUAL

| FIG. & ITEM | PART NO.    | AIRLINE PART NUMBER | NOMENCLATURE<br>1234567  | EFF CODE | QTY PER ASSY |
|-------------|-------------|---------------------|--|----------|--------------|
| R 06-718    | HL11RA6-3   |                     | ..BOLT-<br>(V56878)<br>(SPEC BACB30NW6R3)<br>(OPT HL11RA6-3<br>(V92215))<br>(OPT HL11RA6-3<br>(V97928))<br>(OPT L803-6R3<br>(V06725))<br>(OPT HL11RA6-3<br>(V73197))<br>(OPT B30NW6R3<br>(V97928))<br>(OPT HL11RA6-3<br>(V0PTK6))<br>(OPT HL11RA6-3<br>(V60516)) | D        | 2            |
| R 721       | HL97DU6     |                     | ..COLLAR-<br>(V73197)<br>(SPEC BACC30AB6S)<br>(OPT HL97DU6<br>(V56878))<br>(OPT HL97DU6<br>(V5M902))<br>(OPT ITEM 721A)  | D        | 19           |
| R -721A     | KFN305C3    |                     | ..NUT-<br>(V15653)<br>(OPT ITEM 721)   | D        | 19           |
| R 724       | BACB30UR3K3 |                     | ..BOLT   | D        | 17           |
| R 727       | BACB30UR3R3 |                     | ..BOLT<br>-----*-----  | D        | 2            |

55-40-13

 ILLUSTRATED PARTS LIST  
 01.1 Page 1066S  
 Nov 01/00



| FIG. & ITEM | PART NO.    | AIRLINE PART NUMBER | NOMENCLATURE<br>1234567   | EFF CODE | QTY PER ASSY |
|-------------|-------------|---------------------|---|----------|--------------|
| R 06-730    | AF5141-3-2  |                     | ..RIVET-<br>(V53551)<br>(SPEC BACR15DR3A2)<br>(OPT RV541A3-2<br>(V98996))<br>(OPT CCR264CS3-2TT<br>(V11815))  | D        | 38           |
| R 733       | NS202495-02 |                     | ..NUTPLATE-<br>(V80539)<br>(SPEC BACN10KE3DCD)<br>(OPT F51753-3DC<br>(V15656))  | D        | 1            |
| R 736       | BRF200C3D   |                     | ..NUTPLATE-<br>(V52828)<br>(SPEC BACN10JR3CFD)<br>(OPT K51602-3BAC<br>(V15653))<br>(OPT NS202476-02<br>(V80539))<br>(OPT 102F9201-3<br>(V72962))<br>(OPT T8092C1032CD<br>(V11815))  | D        | 18           |
| R 739       | 173T2030-2  |                     | ..RIB ASSY<br>ATTACHING PARTS   | D        | 1            |
| R 742       | HL11VAZ6-3  |                     | ..BOLT-<br>(V56878)<br>(SPEC BACB30NW6K3)<br>(OPT B30NW6K3<br>(V97928))<br>(OPT HL11VAZ6-3<br>(V73197))<br>(OPT HL11VAZ6-3<br>(V92215))<br>(OPT HL11VAZ6-3<br>(V97928))<br>(OPT L803-6K3<br>(V06725))<br>(OPT HL11VAZ6-3<br>(V0PTK6))<br>(OPT HL11VAZ6-3<br>(V60516)) | D        | 17           |

55-40-13

ILLUSTRATED PARTS LIST

01.1 Page 1066T

Nov 01/00


**BOEING**  
 COMPONENT  
 MAINTENANCE MANUAL

| FIG. & ITEM | PART NO.    | AIRLINE PART NUMBER | NOMENCLATURE<br>1234567  | EFF CODE | QTY PER ASSY |
|-------------|-------------|---------------------|--|----------|--------------|
| R 06-745    | HL11RA6-3   |                     | ..BOLT-<br>(V56878)<br>(SPEC BACB30NW6R3)<br>(OPT HL11RA6-3<br>(V92215))<br>(OPT HL11RA6-3<br>(V97928))<br>(OPT L803-6R3<br>(V06725))<br>(OPT HL11RA6-3<br>(V73197))<br>(OPT B30NW6R3<br>(V97928))<br>(OPT HL11RA6-3<br>(VOPTK6))<br>(OPT HL11RA6-3<br>(V60516)) | D        | 2            |
| R 748       | HL97DU6     |                     | ..COLLAR-<br>(V73197)<br>(SPEC BACC30AB6S)<br>(OPT HL97DU6<br>(V56878))<br>(OPT HL97DU6<br>(V5M902))<br>(OPT ITEM 748A)  | D        | 19           |
| R -748A     | KFN305C3    |                     | ..NUT-<br>(V15653)<br>(OPT ITEM 748)   | D        | 19           |
| R 751       | BACB30UR3K3 |                     | ..BOLT   | D        | 17           |
| R 754       | BACB30UR3R3 |                     | ..BOLT<br>-----*-----  | D        | 2            |

55-40-13

 ILLUSTRATED PARTS LIST  
 01.1 Page 1066U  
 Nov 01/00

| FIG. & ITEM | PART NO.    | AIRLINE PART NUMBER | NOMENCLATURE<br>1234567   | EFF CODE | QTY PER ASSY |
|-------------|-------------|---------------------|---|----------|--------------|
| R 06-757    | AF5141-3-2  |                     | ..RIVET-<br>(V53551)<br>(SPEC BACR15DR3A2)<br>(OPT RV541A3-2<br>(V98996))<br>(OPT CCR264CS3-2TT<br>(V11815))  | D        | 38           |
| R 760       | NS202495-02 |                     | ..NUTPLATE-<br>(V80539)<br>(SPEC BACN10KE3DCD)<br>(OPT F51753-3DC<br>(V15656))  | D        | 1            |
| R 763       | BRF200C3D   |                     | ..NUTPLATE-<br>(V52828)<br>(SPEC BACN10JR3CFD)<br>(OPT K51602-3BAC<br>(V15653))<br>(OPT NS202476-02<br>(V80539))<br>(OPT 102F9201-3<br>(V72962))<br>(OPT T8092C1032CD<br>(V11815))  | D        | 18           |
| R 766       | 173T2032-2  |                     | ..RIB ASSY<br>ATTACHING PARTS   | D        | 1            |
| R 769       | HL11VAZ6-3  |                     | ..BOLT-<br>(V56878)<br>(SPEC BACB30NW6K3)<br>(OPT B30NW6K3<br>(V97928))<br>(OPT HL11VAZ6-3<br>(V73197))<br>(OPT HL11VAZ6-3<br>(V92215))<br>(OPT HL11VAZ6-3<br>(V97928))<br>(OPT L803-6K3<br>(V06725))<br>(OPT HL11VAZ6-3<br>(V0PTK6))<br>(OPT HL11VAZ6-3<br>(V60516)) | D        | 9            |

55-40-13

ILLUSTRATED PARTS LIST

01.1 Page 1066V

Nov 01/00


**BOEING**  
 COMPONENT  
 MAINTENANCE MANUAL

| FIG. & ITEM | PART NO.    | AIRLINE PART NUMBER | NOMENCLATURE<br>1234567  | EFF CODE | QTY PER ASSY |
|-------------|-------------|---------------------|--|----------|--------------|
| R 06-772    | HL11RA6-3   |                     | ..BOLT-<br>(V56878)<br>(SPEC BACB30NW6R3)<br>(OPT HL11RA6-3<br>(V92215))<br>(OPT HL11RA6-3<br>(V97928))<br>(OPT L803-6R3<br>(V06725))<br>(OPT HL11RA6-3<br>(V73197))<br>(OPT B30NW6R3<br>(V97928))<br>(OPT HL11RA6-3<br>(VOPTK6))<br>(OPT HL11RA6-3<br>(V60516)) | D        | 2            |
| R 775       | HL97DU6     |                     | ..COLLAR-<br>(V73197)<br>(SPEC BACC30AB6S)<br>(OPT HL97DU6<br>(V56878))<br>(OPT HL97DU6<br>(V5M902))<br>(OPT ITEM 775A)  | D        | 11           |
| R -775A     | KFN305C3    |                     | ..NUT-<br>(V15653)<br>(OPT ITEM 775)   | D        | 11           |
| R 778       | BACB30UR3K3 |                     | ..BOLT   | D        | 9            |
| R 781       | BACB30UR3R3 |                     | ..BOLT<br>-----*-----  | D        | 2            |
| R 784       | AF5141-3-2  |                     | ..RIVET-<br>(V53551)<br>(SPEC BACR15DR3A2)<br>(OPT RV541A3-2<br>(V98996))<br>(OPT CCR264CS3-2TT<br>(V11815))   | D        | 22           |
| R 787       | NS202495-02 |                     | ..NUTPLATE-<br>(V80539)<br>(SPEC BACN10KE3DCD)<br>(OPT F51753-3DC<br>(V15656))   | D        | 1            |

55-40-13

 ILLUSTRATED PARTS LIST  
 01.1 Page 1066W  
 Nov 01/00

| FIG. & ITEM | PART NO.   | AIRLINE PART NUMBER | NOMENCLATURE<br>1234567   | EFF CODE | QTY PER ASSY |
|-------------|------------|---------------------|---|----------|--------------|
| R 06-790    | BRF200C3D  |                     | ..NUTPLATE-<br>(V52828)<br>(SPEC BACN10JR3CFD)<br>(OPT K51602-3BAC<br>(V15653))<br>(OPT NS202476-02<br>(V80539))<br>(OPT 102F9201-3<br>(V72962))<br>(OPT T8092C1032CD<br>(V11815))  | D        | 10           |
| R 793       | 173T2031-2 |                     | ..RIB ASSY<br>ATTACHING PARTS   | D        | 1            |
| R 796       | HL11VAZ6-5 |                     | ..BOLT-<br>(V56878)<br>(SPEC BACB30NW6K5)<br>(OPT HL11V6-5<br>(V92215))<br>(OPT HL11V6-5<br>(V97928))<br>(OPT L803-6-5<br>(V06725))<br>(OPT B30NW6K5<br>(V97928))<br>(OPT HL11VAZ6-5<br>(V73197))<br>(OPT HL11VAZ6-5<br>(V92215))<br>(OPT HL11VAZ6-5<br>(V97928)) | D        | 14           |

# 55-40-13

 ILLUSTRATED PARTS LIST  
 01.1 Page 1066X  
 Nov 01/00


**BOEING**  
 COMPONENT  
 MAINTENANCE MANUAL

| FIG. & ITEM | PART NO.    | AIRLINE PART NUMBER | NOMENCLATURE<br>1234567  | EFF CODE | QTY PER ASSY |
|-------------|-------------|---------------------|--|----------|--------------|
| R 06-799    | HL11RA6-5   |                     | ..BOLT-<br>(V56878)<br>(SPEC BACB30NW6R5)<br>(OPT HL11RA6-5<br>(V92215))<br>(OPT HL11RA6-5<br>(V97928))<br>(OPT L803-6R5<br>(V06725))<br>(OPT HL11RA6-5<br>(V73197))<br>(OPT B30NW6R5<br>(V97928))<br>(OPT HL11RA6-5<br>(V0PTK6))<br>(OPT HL11RA6-5<br>(V60516)) | D        | 2            |
| R 802       | HL97DU6     |                     | ..COLLAR-<br>(V73197)<br>(SPEC BACC30AB6S)<br>(OPT HL97DU6<br>(V56878))<br>(OPT HL97DU6<br>(V5M902))<br>(OPT ITEM 802A)  | D        | 16           |
| R -802A     | KFN305C3    |                     | ..NUT-<br>(V15653)<br>(OPT ITEM 802)   | D        | 16           |
| R 805       | BACB30UR3K5 |                     | ..BOLT   | D        | 14           |
| R 808       | BACB30UR3R5 |                     | ..BOLT<br>-----*-----  | D        | 2            |

55-40-13

 ILLUSTRATED PARTS LIST  
 01.1 Page 1066Y  
 Nov 01/00

| FIG. & ITEM | PART NO.    | AIRLINE PART NUMBER | NOMENCLATURE<br>1234567   | EFF CODE | QTY PER ASSY |
|-------------|-------------|---------------------|---|----------|--------------|
| R 06-811    | AF5141-3-2  |                     | ..RIVET-<br>(V53551)<br>(SPEC BACR15DR3A2)<br>(OPT RV541A3-2<br>(V98996))<br>(OPT CCR264CS3-2TT<br>(V11815))  | D        | 32           |
| R 814       | BRF200C3D   |                     | ..NUTPLATE-<br>(V52828)<br>(SPEC BACN10JR3CFD)<br>(OPT K51602-3BAC<br>(V15653))<br>(OPT NS202476-02<br>(V80539))<br>(OPT 102F9201-3<br>(V72962))<br>(OPT T8092C1032CD<br>(V11815))  | D        | 16           |
| R 817       | BACR15CE6AD |                     | ..RIVET-<br>(SIZE DETERMINE ON INST)  | D        | 8            |
| R 820       | BACR15CE5AD |                     | ..RIVET-<br>(SIZE DETERMINE ON INST)  | D        | 6            |
| R 823       | 173T2050-1  |                     | ..PLATE   | D        | 1            |
| R 826       | 173T2050-2  |                     | ..PLATE   | D        | 1            |
| R 829       | 173T2051-1  |                     | ..FILLER  | D        | 1            |
| R 832       | 173T2004-3  |                     | ..BOND ASSY-SPLICE PLATE  | D        | 1            |
| R 835       | 173T2004-4  |                     | ..BOND ASSY-SPLICE PLATE<br>ATTACHING PARTS   | D        | 1            |
| R 838       | HL11VAZ6-4  |                     | ..BOLT-<br>(V56878)<br>(SPEC BACB30NW6K4)<br>(OPT HL11V6-4<br>(V92215))<br>(OPT HL11V6-4<br>(V97928))<br>(OPT L803-6-4<br>(V06725))<br>(OPT B30NW6K4<br>(V97928))<br>(OPT HL11VAZ6-4<br>(V73197))<br>(OPT HL11VAZ6-4<br>(V92215))<br>(OPT HL11VAZ6-4<br>(V97928)) | D        | 189          |

55-40-13

 ILLUSTRATED PARTS LIST  
 01.1 Page 1066Z  
 Nov 01/00


**BOEING**  
 COMPONENT  
 MAINTENANCE MANUAL

| FIG. & ITEM | PART NO.    | AIRLINE PART NUMBER | NOMENCLATURE<br>1234567  | EFF CODE | QTY PER ASSY |
|-------------|-------------|---------------------|--|----------|--------------|
| R 06-841    | HL97DU6     |                     | ..COLLAR-<br>(V73197)<br>(SPEC BACC30AB6S)<br>(OPT HL97DU6<br>(V56878))<br>(OPT HL97DU6<br>(V5M902))<br>(OPT ITEM 841A)  | D        | 189          |
| R -841A     | KFN305C3    |                     | ..NUT-<br>(V15653)<br>(OPT ITEM 841)   | D        | 189          |
| R 844       | BACB30UR3K4 |                     | ..BOLT<br>-----*-----  | D        | 42           |
| R 847       | AF5141-3-2  |                     | ..RIVET-<br>(V53551)<br>(SPEC BACR15DR3A2)<br>(OPT RV541A3-2<br>(V98996))<br>(OPT CCR264CS3-2TT<br>(V11815))   | D        | 84           |
| R 850       | BRF200C3D   |                     | ..NUTPLATE-<br>(V52828)<br>(SPEC BACN10JR3CFD)<br>(OPT K51602-3BAC<br>(V15653))<br>(OPT NS202476-02<br>(V80539))<br>(OPT 102F9201-3<br>(V72962))<br>(OPT T8092C1032CD<br>(V11815)) | D        | 42           |

55-40-13

 ILLUSTRATED PARTS LIST  
 01.1 Page 1067  
 Nov 01/00

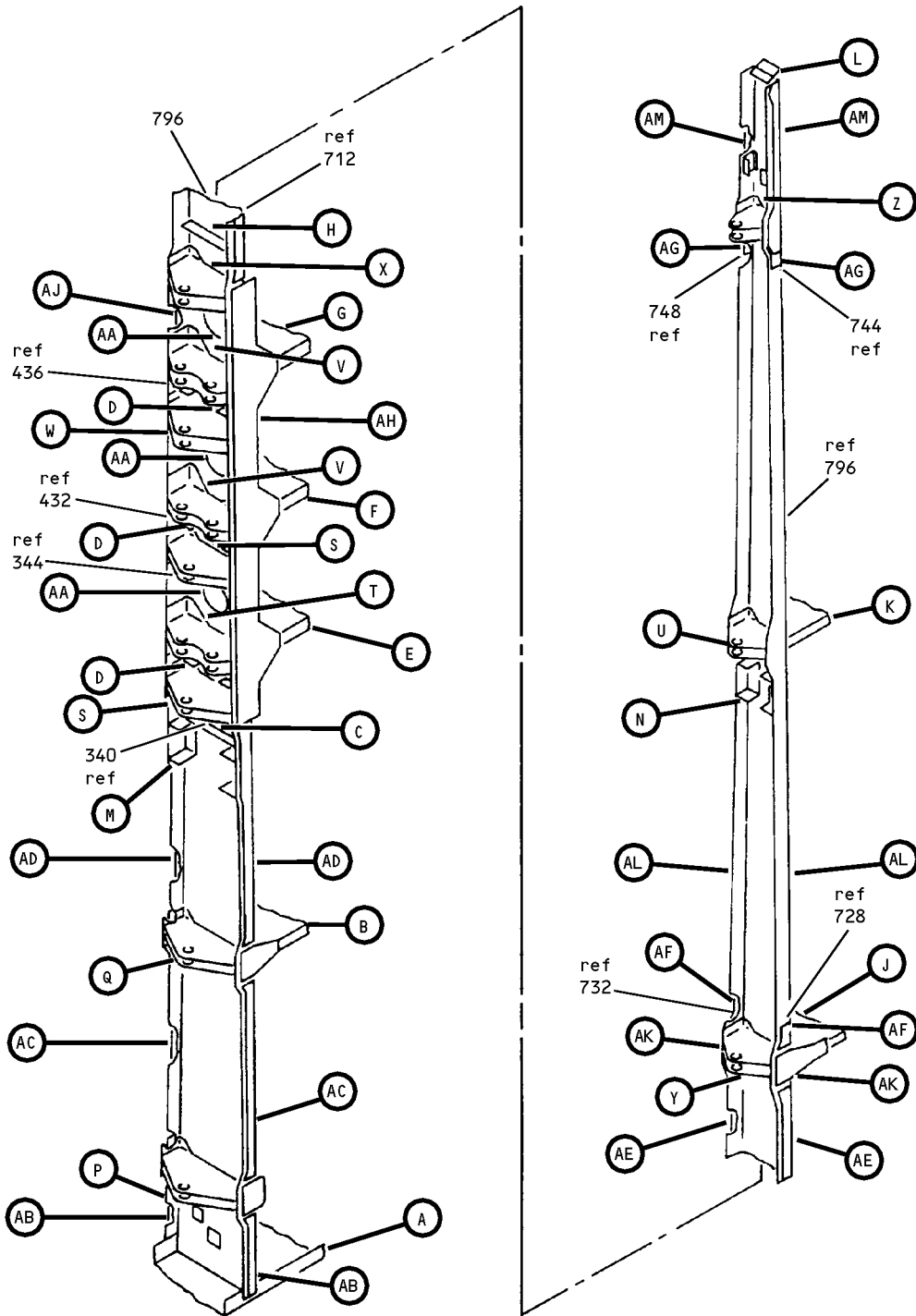


| FIG. & ITEM | PART NO.     | AIRLINE PART NUMBER | NOMENCLATURE<br>1234567 | EFF CODE | QTY PER ASSY |
|-------------|--------------|---------------------|-------------------------|----------|--------------|
| 06-         |              |                     |                         |          |              |
| R 853       | BACR15FT5AD  |                     | ..RIVET                 | D        | 7            |
| R 856       | BACR15GA5-5  |                     | ..RIVET                 | D        | 410          |
| R 859       | 173T2053-47  |                     | ..SHIM                  | D        | 1            |
| R 862       | 173T2004-19  |                     | ..BOND ASSY-PANEL UPR   | D        | 1            |
| R 865       | 173T2004-20  |                     | ..BOND ASSY-PANEL UPR   | D        | 1            |
| R 868       | 173T2003-1   |                     | ..BOND ASSY-PANEL LWR   | D        | 1            |
| R 871       | 173T2003-2   |                     | ..BOND ASSY-PANEL LWR   | D        | 1            |
| R 874       | MS27253PS    |                     | DELETED                 |          |              |
| R 874A      | MS27253P3    |                     | ..PLATE                 | D        | 1            |
| R 877       | BAC27TWG0001 |                     | ..MARKER                | D        | 1            |

- Item Not Illustrated

# 55-40-13

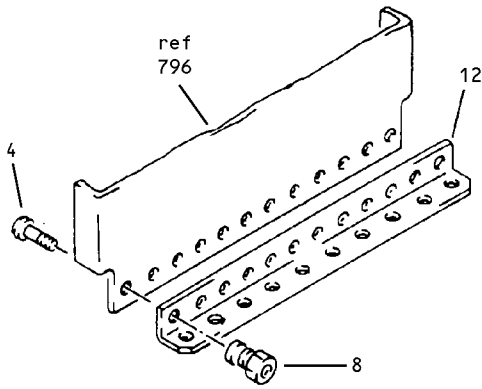
ILLUSTRATED PARTS LIST  
 01.1 Page 1068  
 Nov 01/00



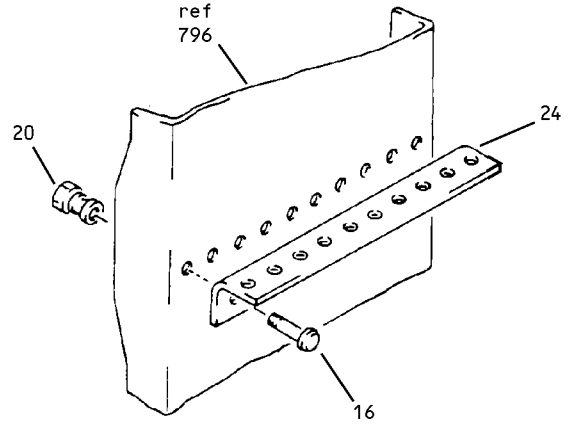
Rudder Assembly  
 Figure 7 (Sheet 1)

**55-40-13**

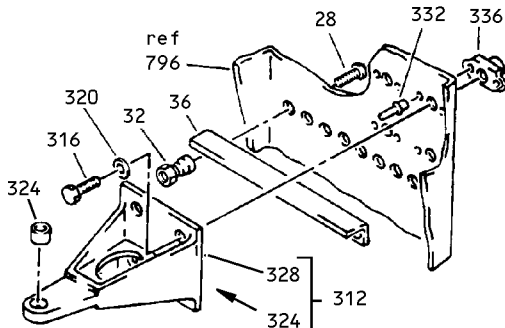
ILLUSTRATED PARTS LIST  
 01.1 Page 1068B  
 Nov 01/00



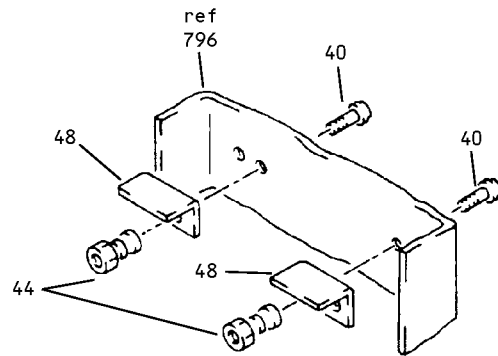
(A)



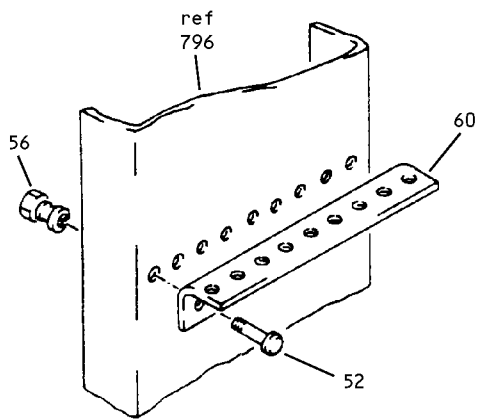
(B)



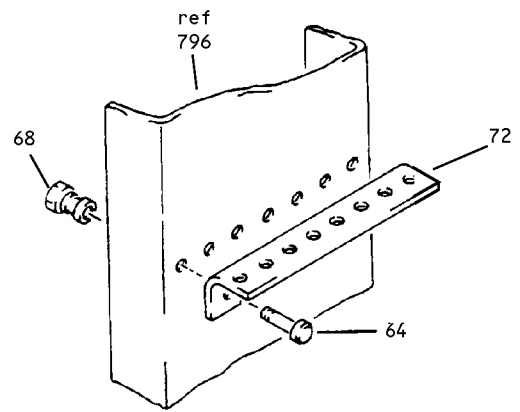
(C)



(D)



(E)

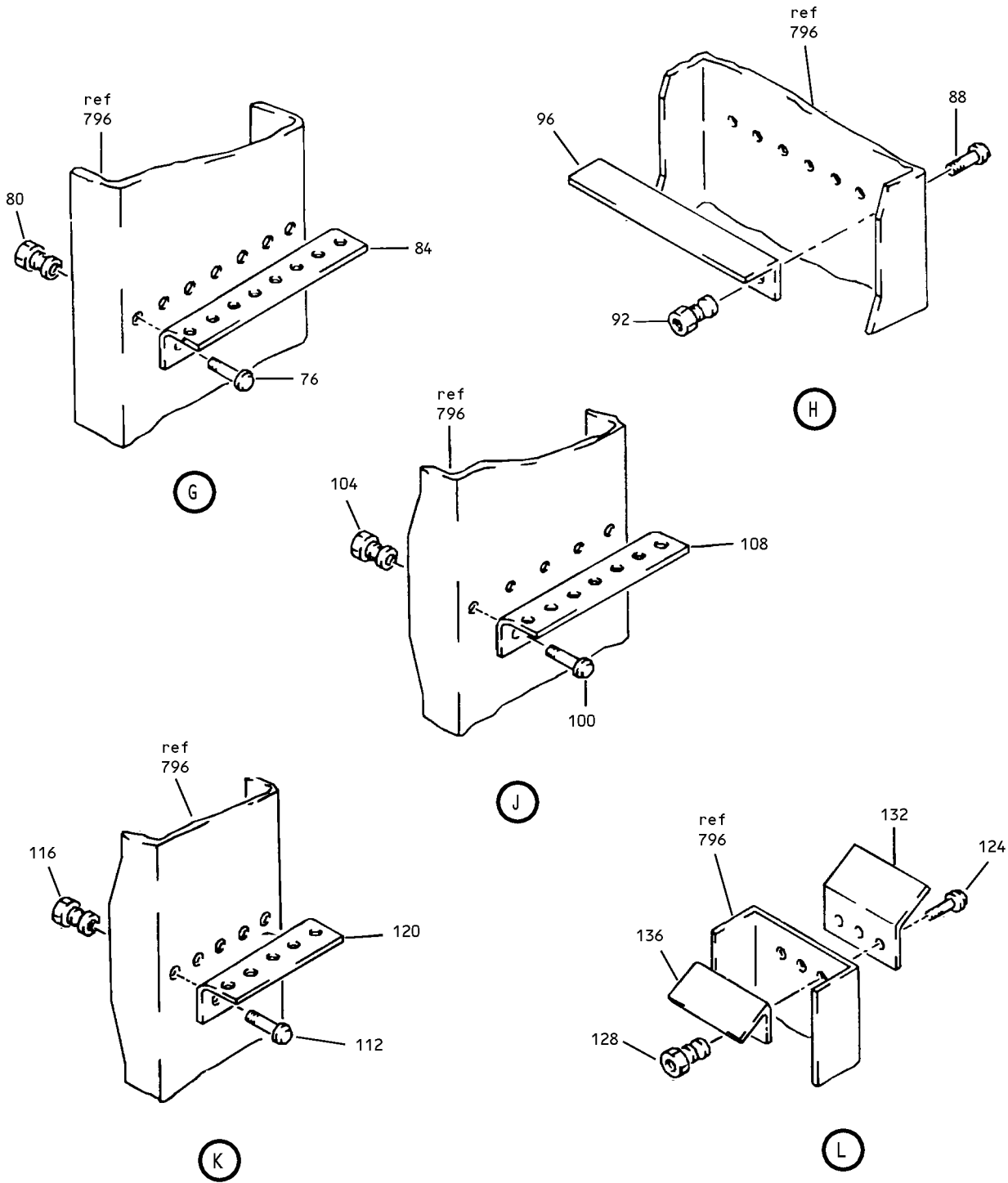


(F)

Rudder Assembly  
 Figure 7 (Sheet 2)

**55-40-13**

ILLUSTRATED PARTS LIST  
 01.1 Page 1068C  
 Nov 01/00



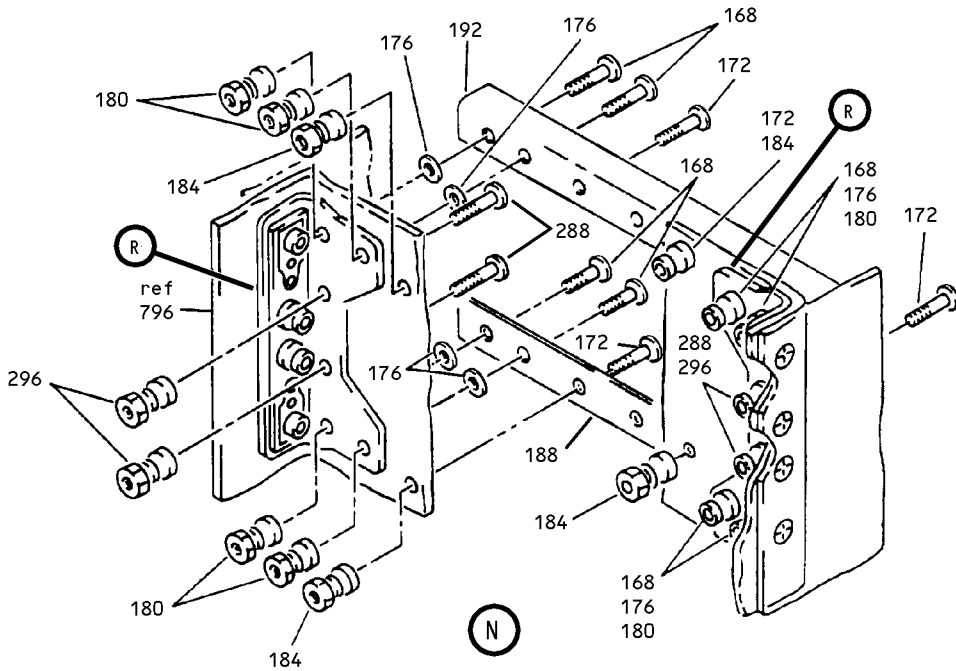
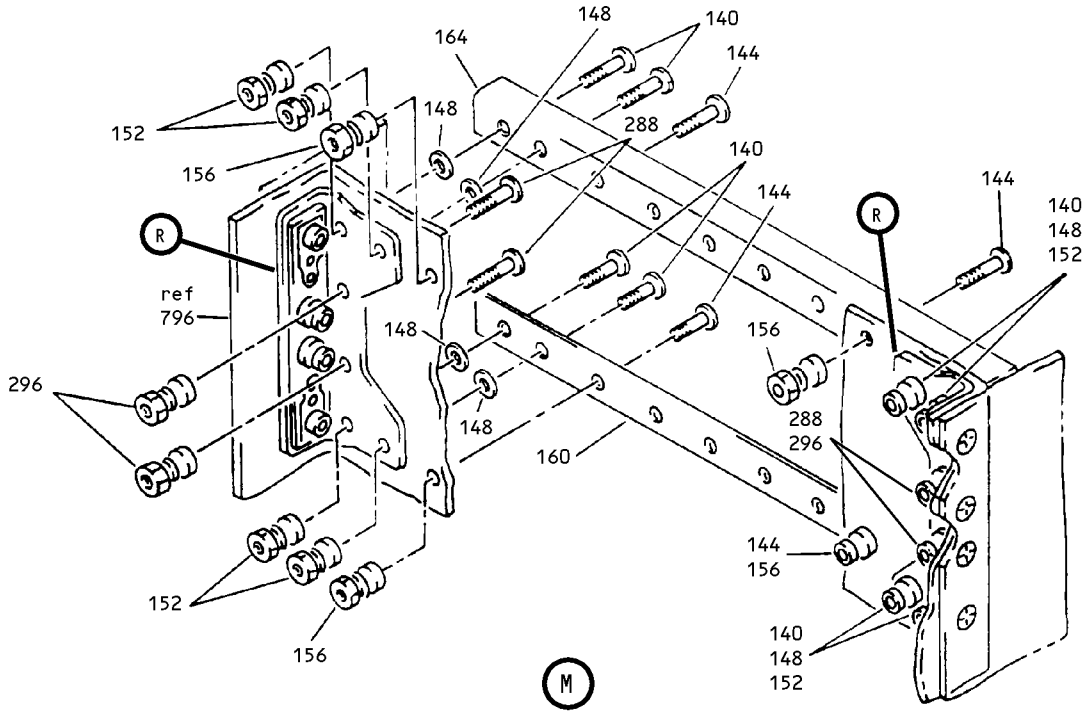
Rudder Assembly  
 Figure 7 (Sheet 3)

**55-40-13**

ILLUSTRATED PARTS LIST  
 01.1 Page 1068D  
 Nov 01/00

# BOEING

COMPONENT  
MAINTENANCE MANUAL

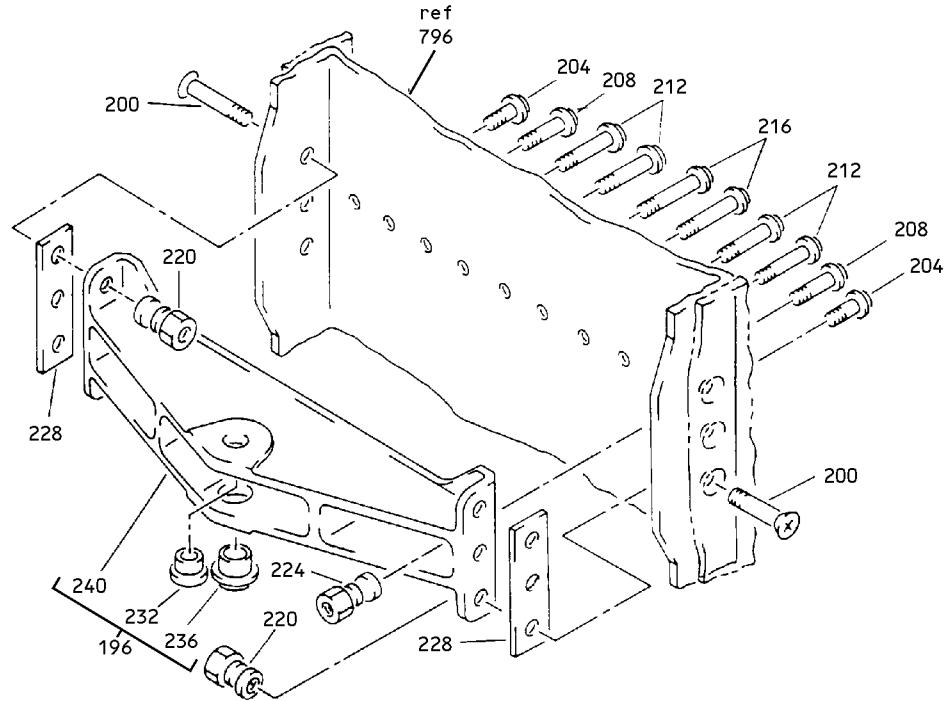


Rudder Assembly  
Figure 7 (Sheet 4)

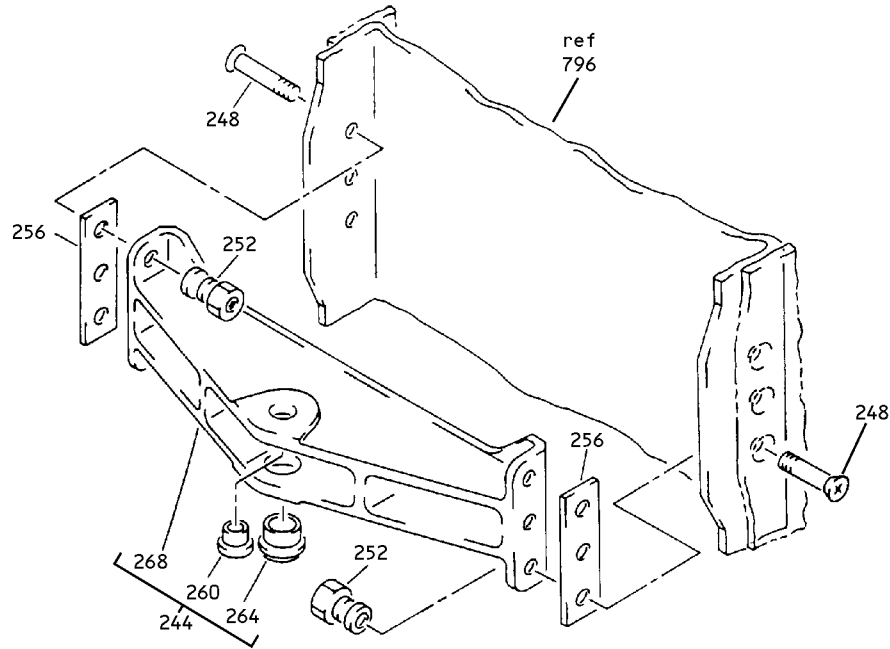
55-40-13

ILLUSTRATED PARTS LIST  
01.1 Page 1068E  
Nov 01/00

L42706



(P)



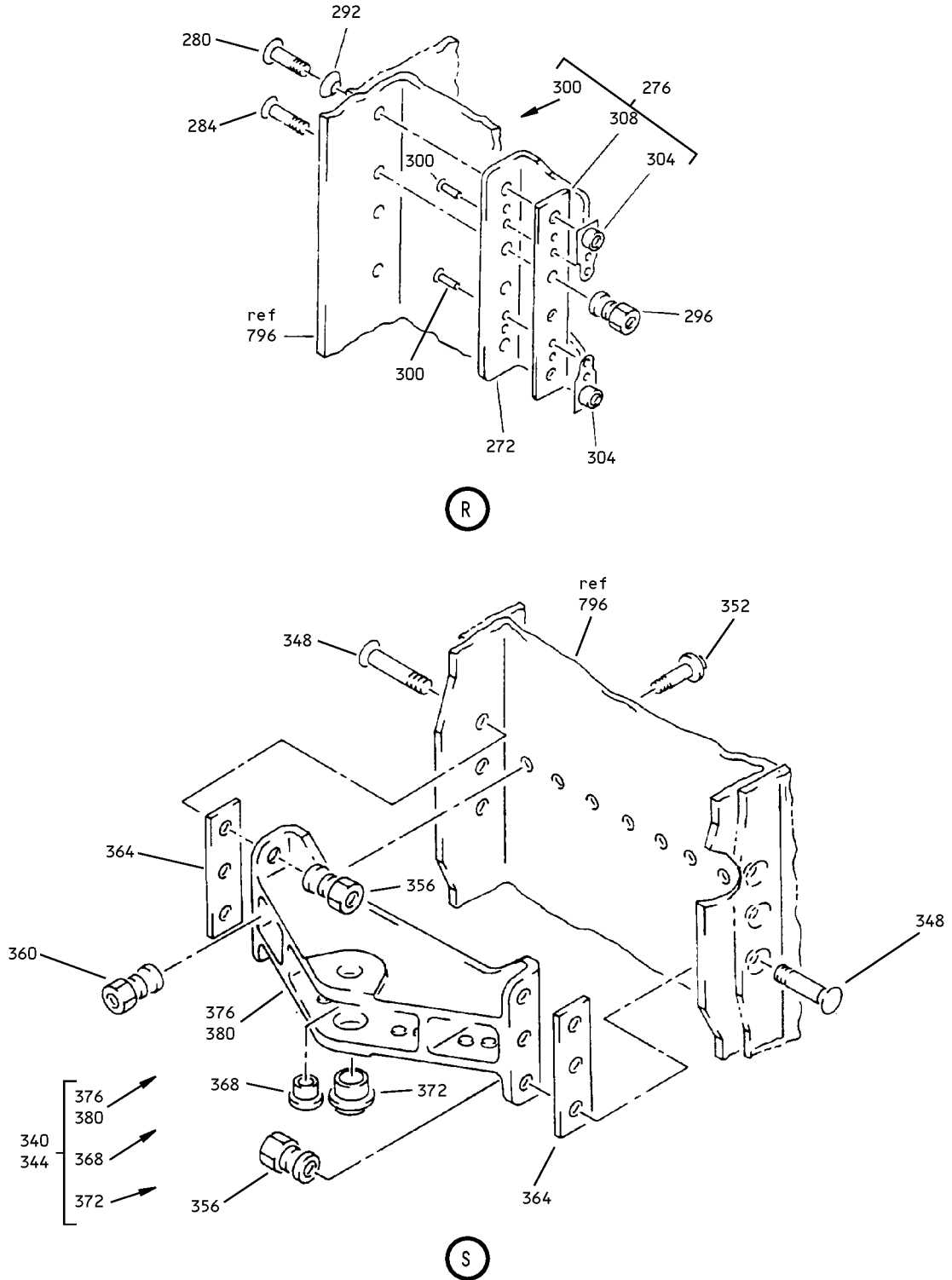
(Q)

Rudder Assembly  
 Figure 7 (Sheet 5)

**55-40-13**

ILLUSTRATED PARTS LIST  
 01.1 Page 1068F  
 Nov 01/00

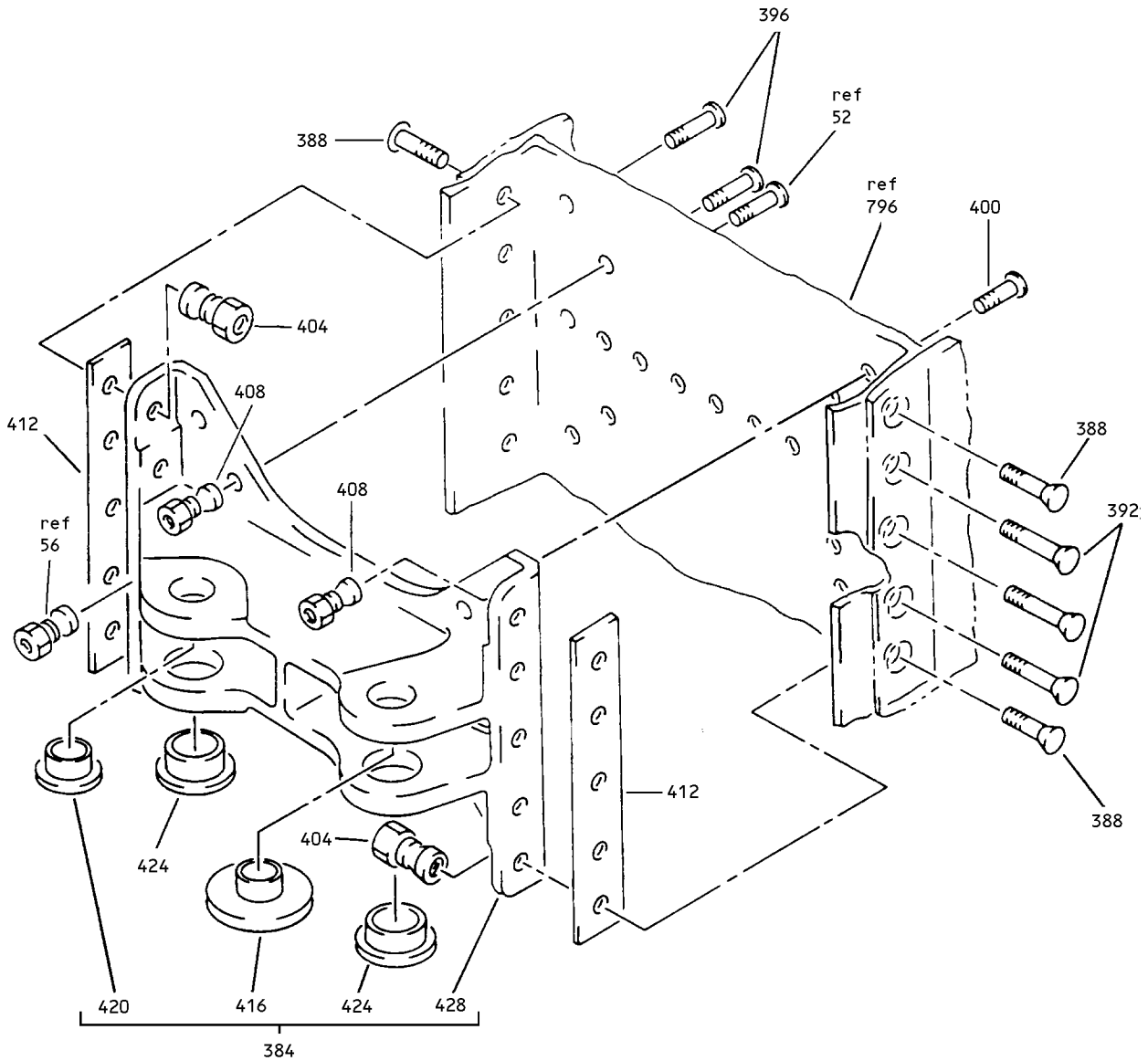
**BOEING**  
 COMPONENT  
 MAINTENANCE MANUAL



Rudder Assembly  
 Figure 7 (Sheet 6)

**55-40-13**

ILLUSTRATED PARTS LIST  
 01.1 Page 1068G  
 Nov 01/00

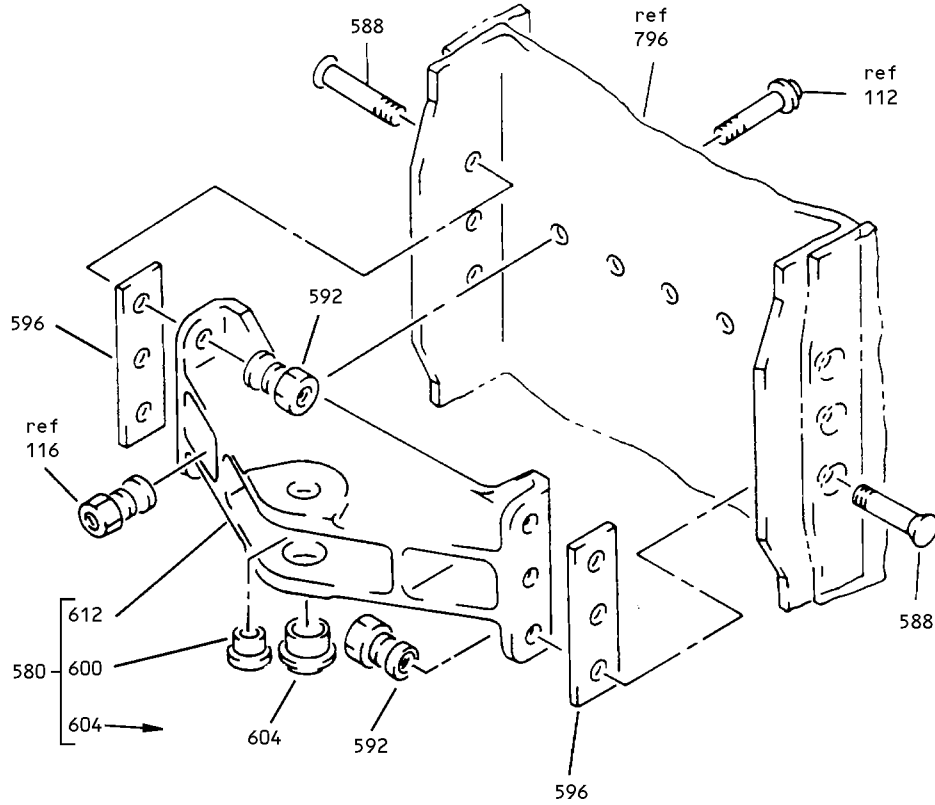


Rudder Assembly  
 Figure 7 (Sheet 7)

**55-40-13**

ILLUSTRATED PARTS LIST  
 01.1 Page 1068H  
 Nov 01/00



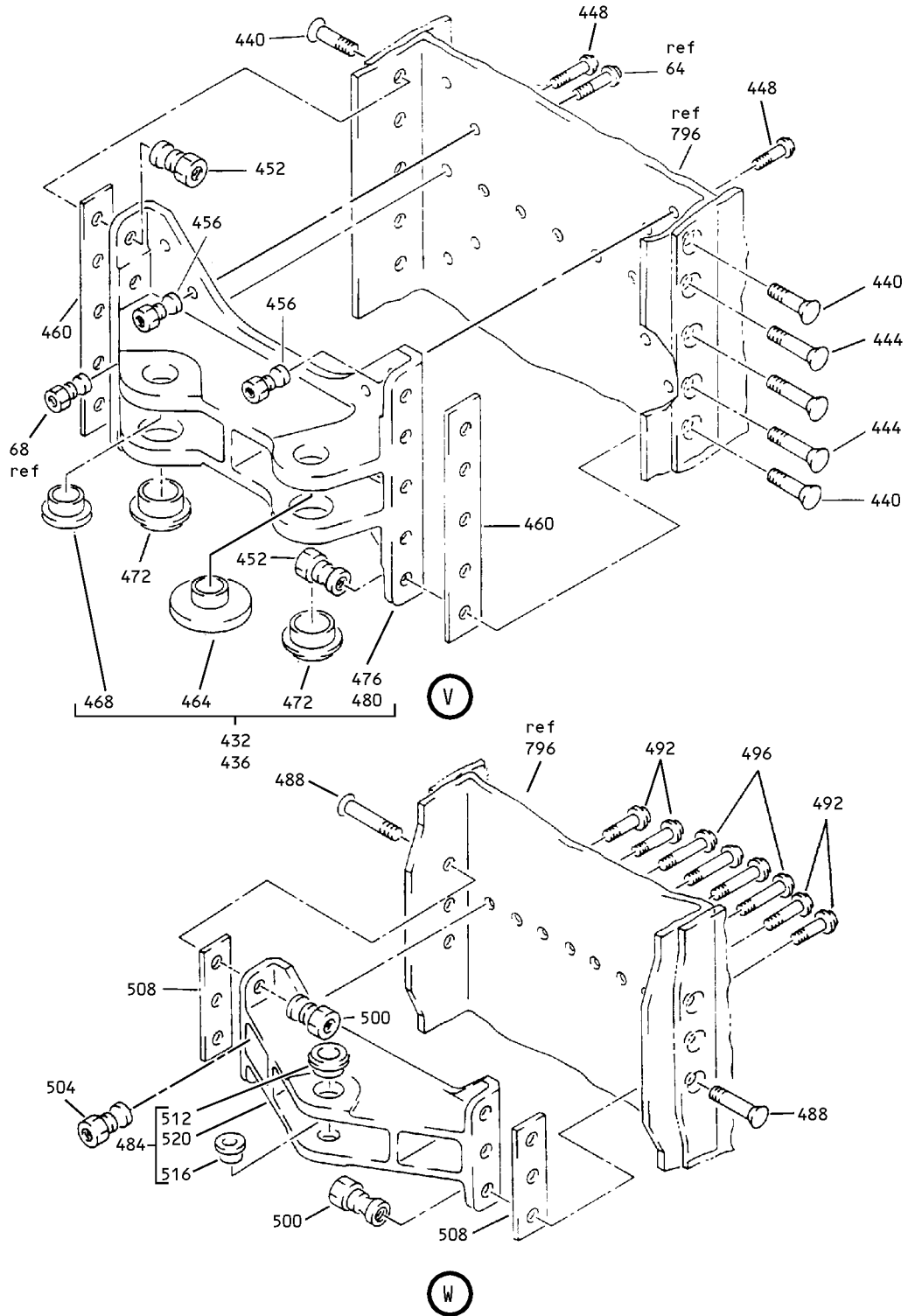


U

Rudder Assembly  
Figure 7 (Sheet 8)

**55-40-13**

ILLUSTRATED PARTS LIST  
01.1 Page 1068I  
Nov 01/00

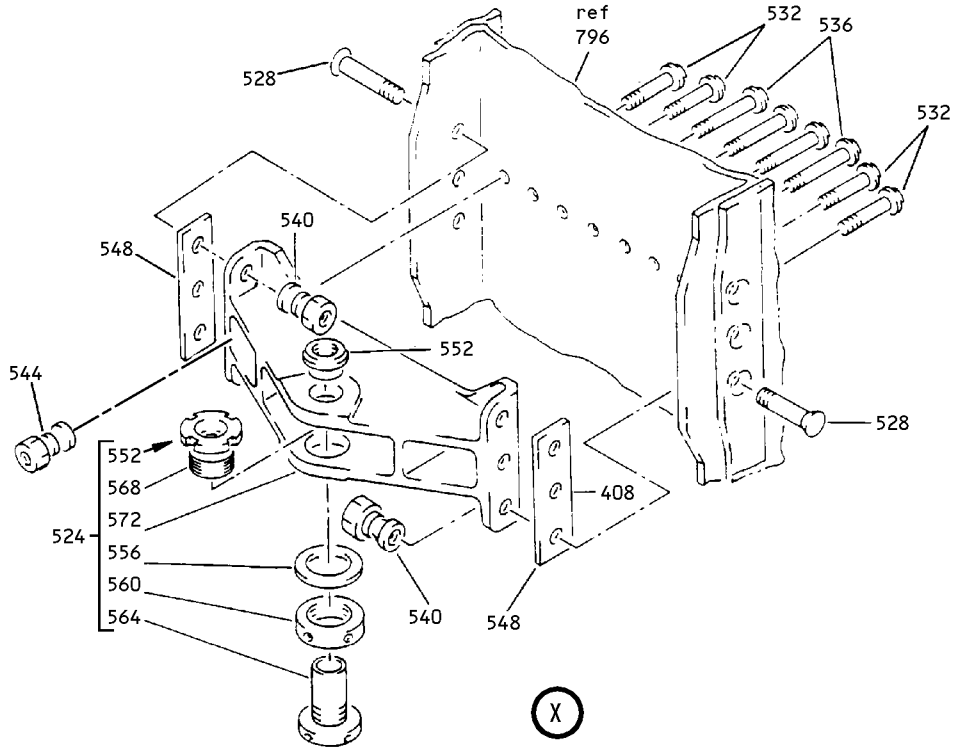


Rudder Assembly  
Figure 7 (Sheet 9)

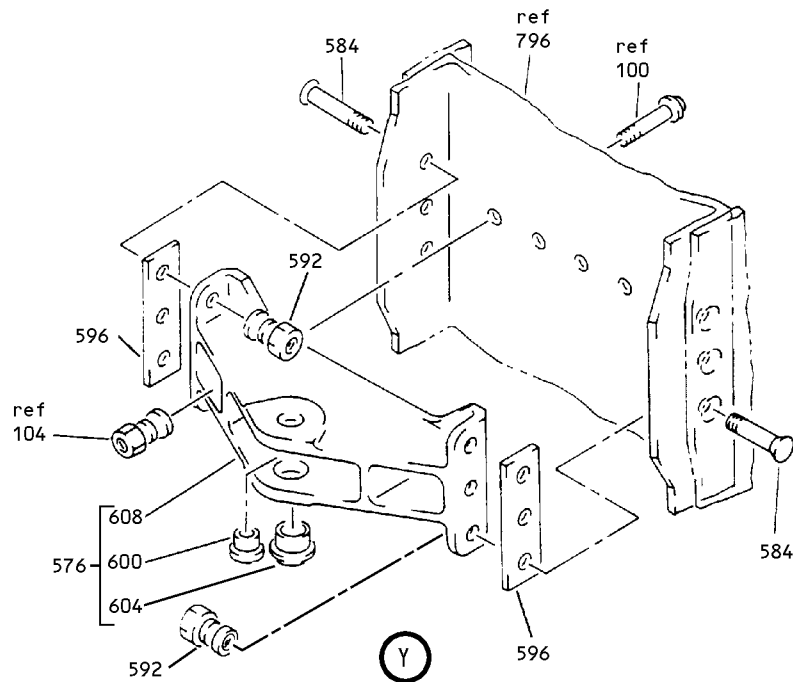
**55-40-13**

ILLUSTRATED PARTS LIST  
01.1 Page 1068J  
Nov 01/00

**BOEING**  
 COMPONENT  
 MAINTENANCE MANUAL



(X)

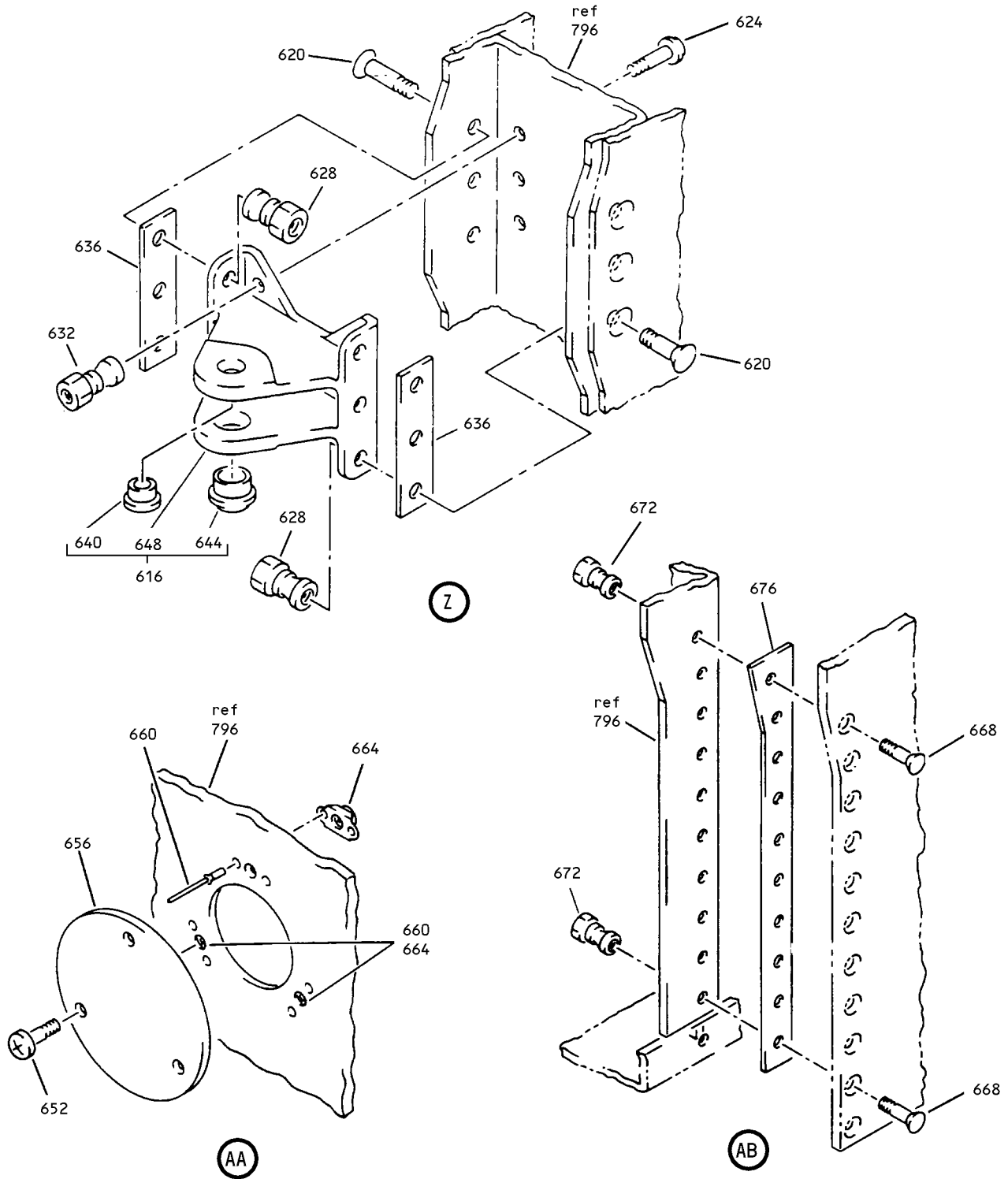


(Y)

Rudder Assembly  
 Figure 7 (Sheet 10)

**55-40-13**

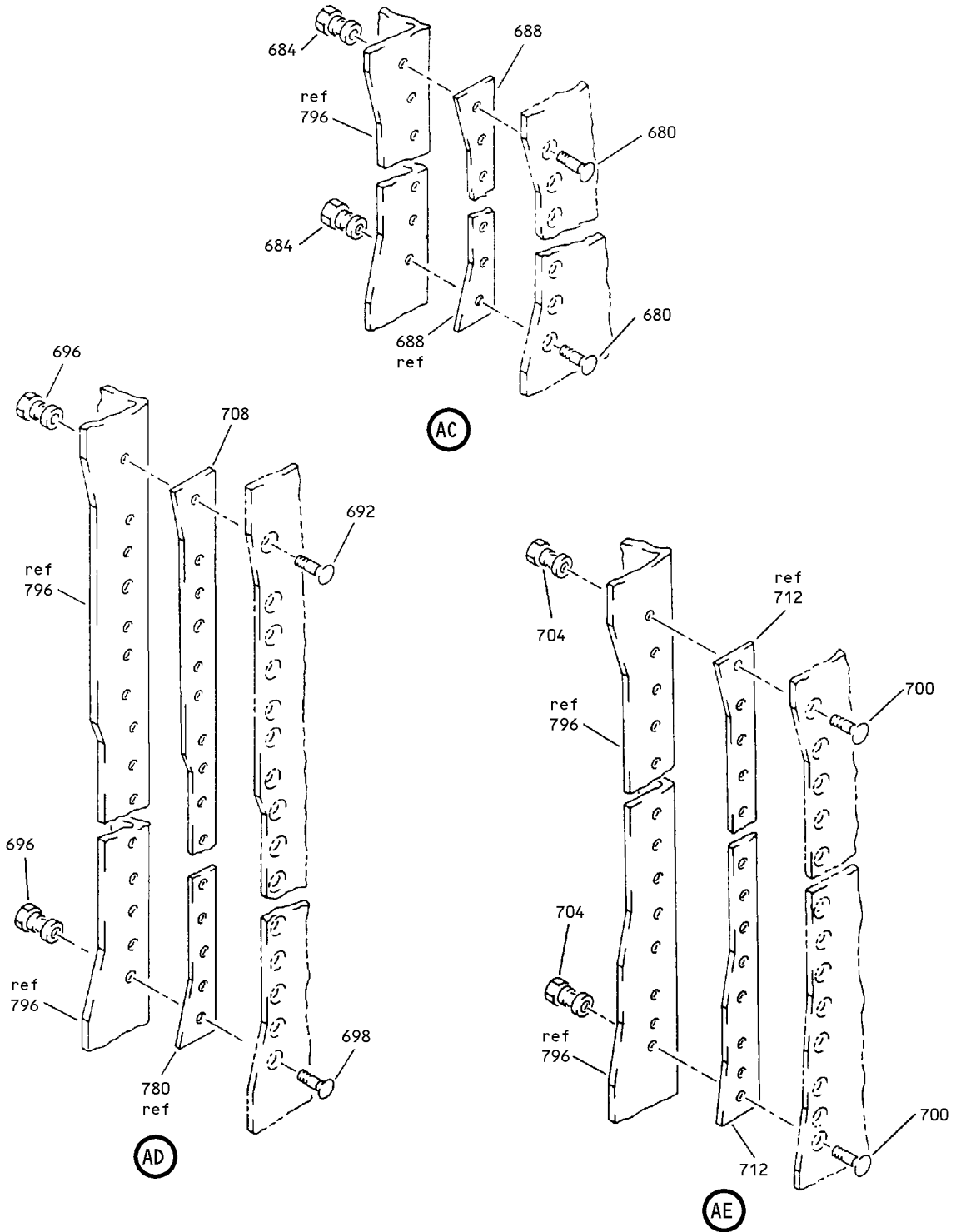
ILLUSTRATED PARTS LIST  
 01.1 Page 1068K  
 Nov 01/00



Rudder Assembly  
 Figure 7 (Sheet 11)

**55-40-13**

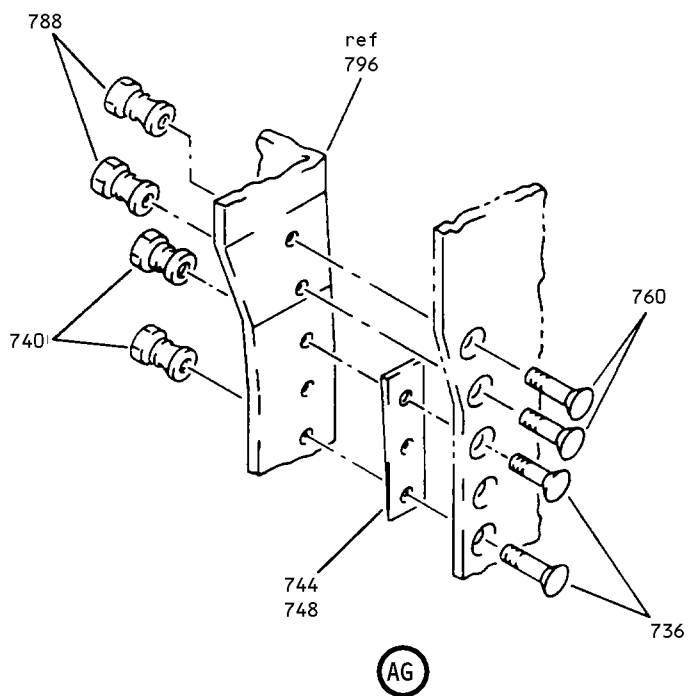
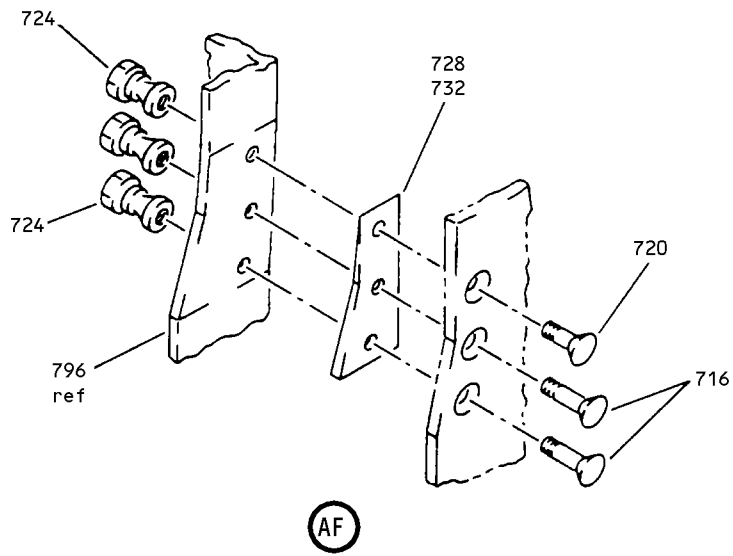
ILLUSTRATED PARTS LIST  
 01.1 Page 1068L  
 Nov 01/00



Rudder Assembly  
Figure 7 (Sheet 12)

**55-40-13**

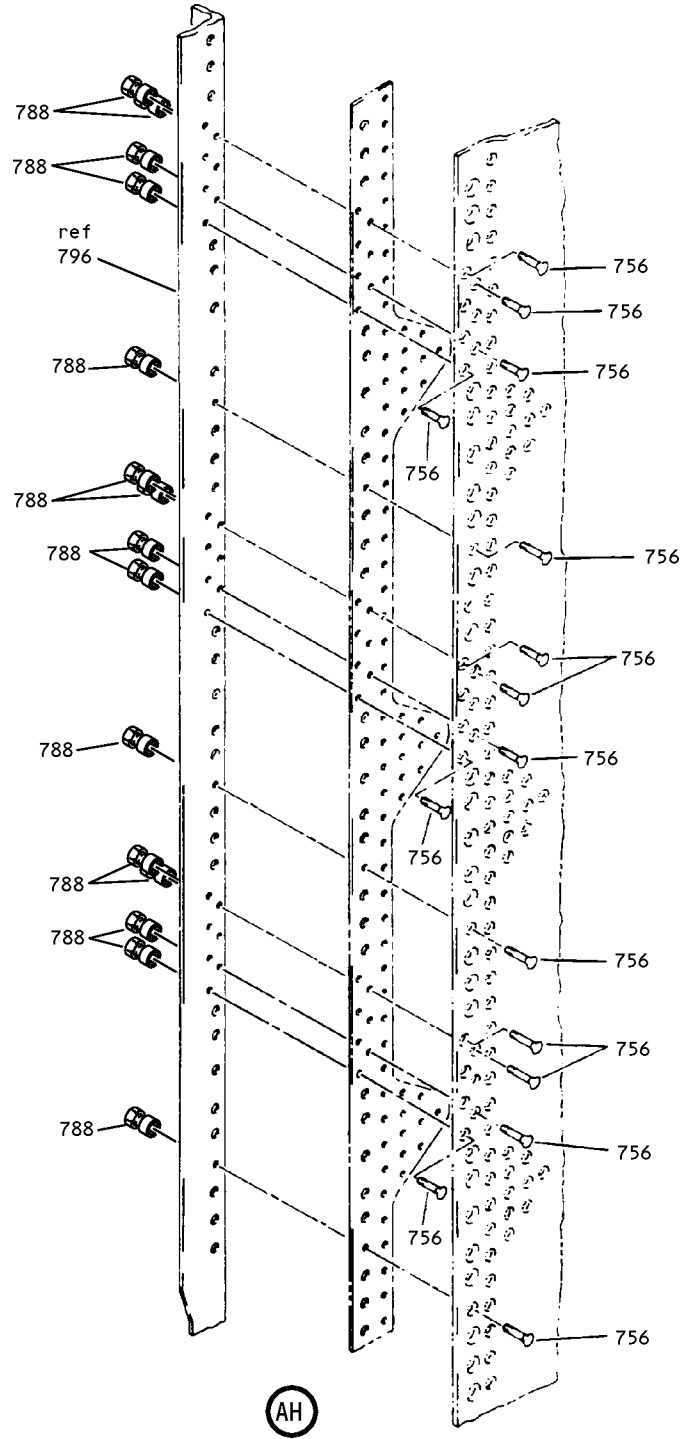
ILLUSTRATED PARTS LIST  
01.1 Page 1068M  
Nov 01/00



Rudder Assembly  
 Figure 7 (Sheet 13)

**55-40-13**

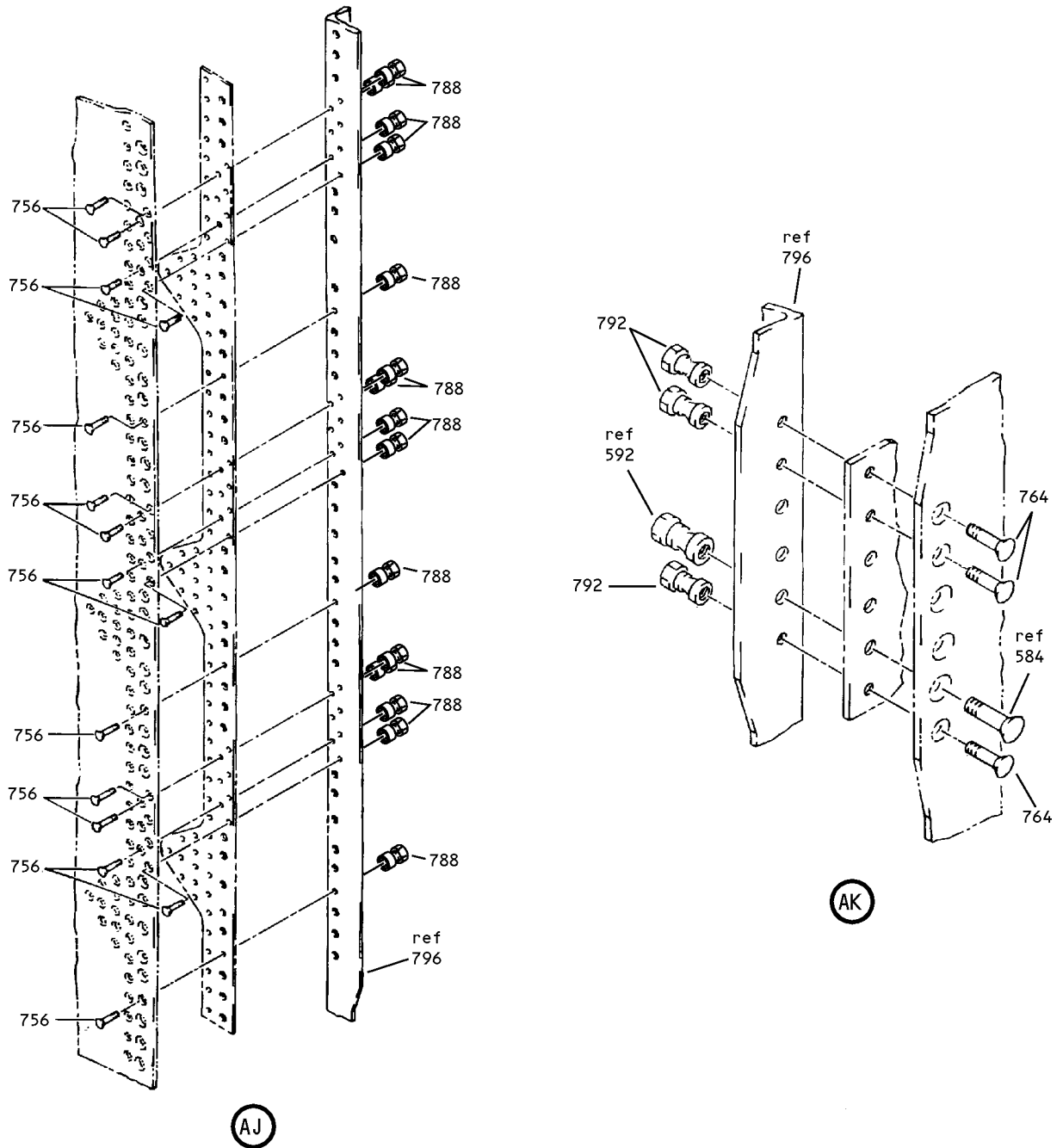
ILLUSTRATED PARTS LIST  
 01.1 Page 1068N  
 Nov 01/00



Rudder Assembly  
Figure 7 (Sheet 14)

**55-40-13**

ILLUSTRATED PARTS LIST  
01.1 Page 10680  
Nov 01/00



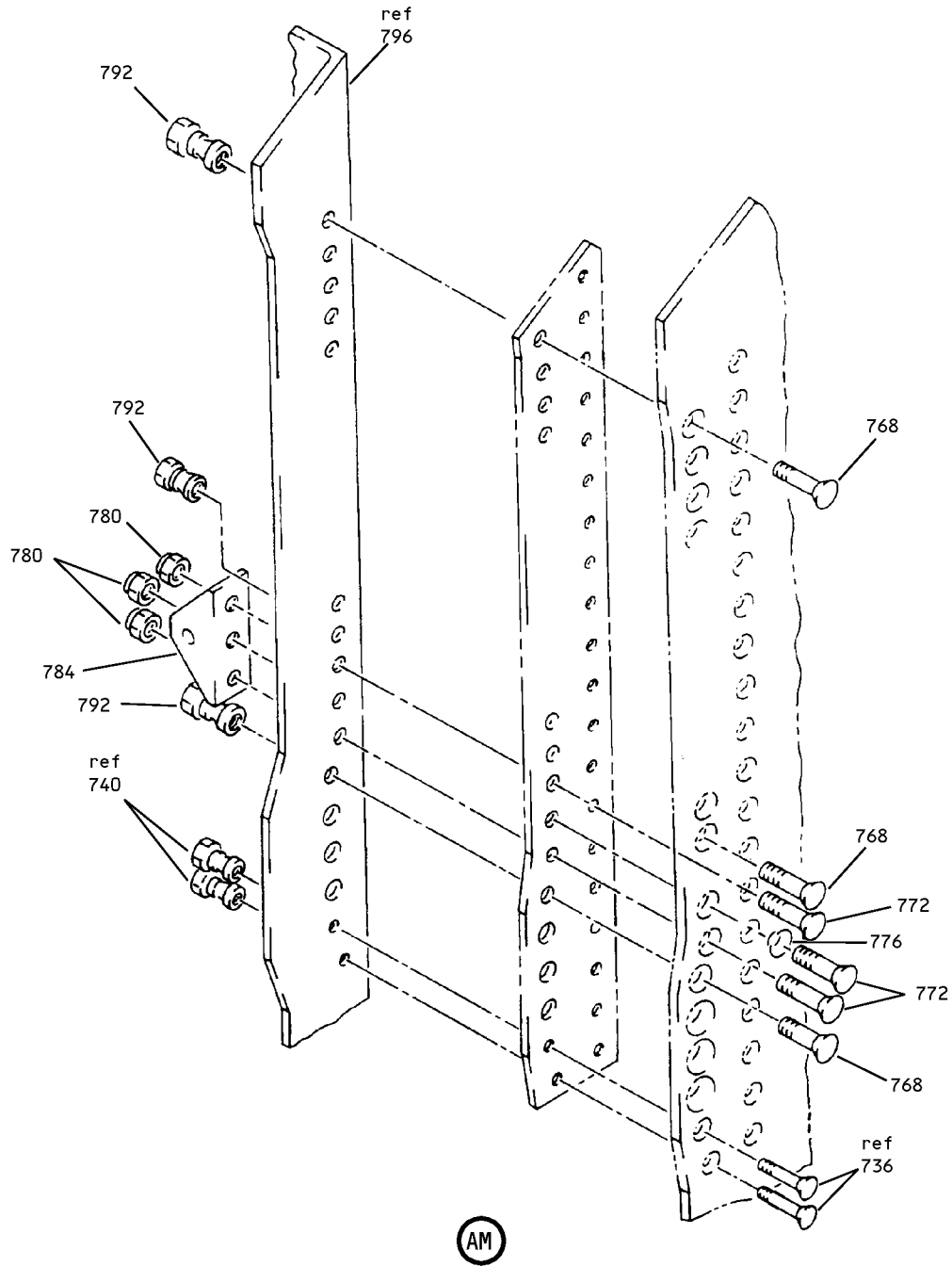
Rudder Assembly  
 Figure 7 (Sheet 15)

**55-40-13**

ILLUSTRATED PARTS LIST  
 01.1 Page 1068P  
 Nov 01/00







Rudder Assembly  
Figure 7 (Sheet 17)

**55-40-13**

ILLUSTRATED PARTS LIST  
01.1 Page 1068R  
Nov 01/00


**BOEING**  
 COMPONENT  
 MAINTENANCE MANUAL

| FIG. & ITEM | PART NO.    | AIRLINE PART NUMBER | NOMENCLATURE<br>1234567   | EFF CODE | QTY PER ASSY |
|-------------|-------------|---------------------|---|----------|--------------|
| R 07-       |             |                     |   |          |              |
| R -1A       | 173T2006-3  |                     | SPAR INSTL-FRONT  | C        | 1            |
| R -1B       | 173T2006-4  |                     | SPAR INSTL-FRONT  | D        | 1            |
| R 4         | BACB30MY6K3 |                     | .BOLT   | C,D      | 12           |
| R 8         | HL97DU6     |                     | .COLLAR-<br>(V73197)<br>(SPEC BACC30AB6S)<br>(OPT HL97DU6<br>(V56878))<br>(OPT HL97DU6<br>(V5M902)) | C,D      | 12           |
| R 12        | 173T2025-1  |                     | .RIB  | C,D      | 1            |
| R 16        | BACB30MY8K5 |                     | .BOLT   | C,D      | 10           |
| R 20        | HL97DU8     |                     | .COLLAR-<br>(V73197)<br>(SPEC BACC30AB8S)<br>(OPT HL97DU8<br>(V56878))<br>(OPT HL97DU8<br>(V5M902)) | C,D      | 10           |
| R 24        | 173T2025-2  |                     | .RIB  | C,D      | 1            |
| R 28        | BACB30MY6K3 |                     | .BOLT   | C,D      | 9            |
| R 32        | HL97DU6     |                     | .COLLAR-<br>(V73197)<br>(SPEC BACC30AB6S)<br>(OPT HL97DU6<br>(V56878))<br>(OPT HL97DU6<br>(V5M902)) | C,D      | 9            |
| R 36        | 173T2025-3  |                     | .RIB  | C,D      | 1            |
| R 40        | BACB30MY6K3 |                     | .BOLT   | C,D      | 12           |
| R 44        | HL97DU6     |                     | .COLLAR-<br>(V73197)<br>(SPEC BACC30AB6S)<br>(OPT HL97DU6<br>(V56878))<br>(OPT HL97DU6<br>(V5M902)) | C,D      | 12           |
| R 48        | 173T2025-4  |                     | .RIB  | C,D      | 6            |
| R 52        | BACB30MY8K7 |                     | .BOLT   | C,D      | 9            |

55-40-13

 ILLUSTRATED PARTS LIST  
 01.1 Page 1068S  
 Nov 01/00



COMPONENT  
MAINTENANCE MANUAL

| FIG. & ITEM | PART NO.    | AIRLINE PART NUMBER | NOMENCLATURE<br>1234567   | EFF CODE | QTY PER ASSY |
|-------------|-------------|---------------------|---|----------|--------------|
| R 07-56     | HL97DU8     |                     | .COLLAR-<br>(V73197)<br>(SPEC BACC30AB8S)<br>(OPT HL97DU8<br>(V56878))<br>(OPT HL97DU8<br>(V5M902)) | C,D      | 9            |
| R 60        | 173T2025-5  |                     | .RIB  | C,D      | 1            |
| R 64        | BACB30MY8K7 |                     | .BOLT   | C,D      | 7            |
| R 68        | HL97DU8     |                     | .COLLAR-<br>(V73197)<br>(SPEC BACC30AB8S)<br>(OPT HL97DU8<br>(V56878))<br>(OPT HL97DU8<br>(V5M902)) | C,D      | 7            |
| R 72        | 173T2025-7  |                     | .RIB  | C,D      | 1            |
| R 76        | BACB30MY8K7 |                     | .BOLT   | C,D      | 7            |
| R 80        | HL97DU8     |                     | .COLLAR-<br>(V73197)<br>(SPEC BACC30AB8S)<br>(OPT HL97DU8<br>(V56878))<br>(OPT HL97DU8<br>(V5M902)) | C,D      | 7            |
| R 84        | 173T2025-9  |                     | .RIB  | C,D      | 1            |
| R 88        | BACB30MY6K3 |                     | .BOLT   | C,D      | 7            |
| R 92        | HL97DU6     |                     | .COLLAR-<br>(V73197)<br>(SPEC BACC30AB6S)<br>(OPT HL97DU6<br>(V56878))<br>(OPT HL97DU6<br>(V5M902)) | C,D      | 7            |
| R 96        | 173T2025-10 |                     | .RIB  | C,D      | 1            |
| R 100       | BACB30MY8K5 |                     | .BOLT   | C,D      | 5            |
| R 104       | HL97DU8     |                     | .COLLAR-<br>(V73197)<br>(SPEC BACC30AB8S)<br>(OPT HL97DU8<br>(V56878))<br>(OPT HL97DU8<br>(V5M902)) | C,D      | 5            |
| R 108       | 173T2025-11 |                     | .RIB  | C,D      | 1            |
| R 112       | BACB30MY8K5 |                     | .BOLT   | C,D      | 5            |

55-40-13


**BOEING**  
 COMPONENT  
 MAINTENANCE MANUAL

| FIG. & ITEM | PART NO.     | AIRLINE PART NUMBER | NOMENCLATURE<br>1234567  | EFF CODE | QTY PER ASSY |
|-------------|--------------|---------------------|--|----------|--------------|
| R 07-116    | HL97DU8      |                     | .COLLAR-<br>(V73197)<br>(SPEC BACC30AB8S)<br>(OPT HL97DU8<br>(V56878))<br>(OPT HL97DU8<br>(V5M902))  | C,D      | 5            |
| R 120       | 173T2025-12  |                     | .RIB   | C,D      | 1            |
| R 124       | BACB30MY8K6  |                     | .BOLT  | C,D      | 3            |
| R 128       | HL97DU8      |                     | .COLLAR-<br>(V73197)<br>(SPEC BACC30AB8S)<br>(OPT HL97DU8<br>(V56878))<br>(OPT HL97DU8<br>(V5M902))  | C,D      | 3            |
| R 132       | 173T2025-14  |                     | .RIB   | C,D      | 1            |
| R 136       | 173T2025-13  |                     | .RIB   | C,D      | 1            |
| R 140       | BACB30MY6K5  |                     | .BOLT  | C,D      | 8            |
| R 144       | BACB30MY6K3  |                     | .BOLT  | C,D      | 12           |
| R 148       | BACW10BP3NDP |                     | .WASHER  | C,D      | 8            |
| R 152       | HL79-6       |                     | .COLLAR-<br>(V56878)<br>(SPEC BACC30M6)<br>(OPT HL79-6<br>(V73197))<br>(OPT HL79-6<br>(V92215))<br>(OPT 66014-6<br>(V56878))<br>(OPT HL79-6<br>(V5M902)) | C,D      | 8            |
| R 156       | HL97DU6      |                     | .COLLAR-<br>(V73197)<br>(SPEC BACC30AB6S)<br>(OPT HL97DU6<br>(V56878))<br>(OPT HL97DU6<br>(V5M902))  | C,D      | 12           |
| R 160       | 173T2025-28  |                     | .RIB   | C,D      | 1            |
| R 164       | 173T2025-29  |                     | .RIB   | C,D      | 1            |
| R 168       | BACB30MY6K5  |                     | .BOLT  | C,D      | 8            |
| R 172       | BACB30MY6K3  |                     | .BOLT  | C,D      | 6            |
| R 176       | BACW10BP3NDP |                     | .WASHER  | C,D      | 8            |

55-40-13

 ILLUSTRATED PARTS LIST  
 01.1 Page 1068U  
 Nov 01/00

| FIG. & ITEM | PART NO.    | AIRLINE PART NUMBER | NOMENCLATURE<br>1234567  | EFF CODE | QTY PER ASSY |
|-------------|-------------|---------------------|--|----------|--------------|
| R 07-180    | HL79-6      |                     | .COLLAR-<br>(V56878)<br>(SPEC BACC30M6)<br>(OPT HL79-6<br>(V73197))<br>(OPT HL79-6<br>(V92215))<br>(OPT 66014-6<br>(V56878))<br>(OPT HL79-6<br>(V5M902))   | C,D      | 8            |
| R 184       | HL97DU6     |                     | .COLLAR-<br>(V73197)<br>(SPEC BACC30AB6S)<br>(OPT HL97DU6<br>(V56878))<br>(OPT HL97DU6<br>(V5M902))  | C,D      | 6            |
| R 188       | 173T2025-30 |                     | .RIB   | C,D      | 1            |
| R 192       | 173T2025-31 |                     | .RIB   | C,D      | 1            |
| R 196       | 173T2039-1  |                     | .FITTING ASSY-HINGE<br>(LIMITED)<br>(OPT ITEM 196A)  | C        | 1            |
| R -196A     | 173T2039-5  |                     | .FITTING ASSY-HINGE<br>(LIMITED)<br>(OPT ITEM 196)   | C        | 1            |
| R -196B     | 173T2039-1  |                     | .FITTING ASSY-HINGE  | D        | 1            |
| R 200       | HL11VAZ10-9 |                     | .BOLT-<br>(V56878)<br>(SPEC BACB30NW10K9)<br>(OPT B30NW10K9<br>(V97928))<br>(OPT HL11VAZ10-9<br>(V73197))<br>(OPT HL11VAZ10-9<br>(V92215))<br>(OPT HL11VAZ10-9<br>(V97928))<br>(OPT L803-10K9<br>(V06725))<br>(OPT HL11VAZ10-9<br>(V0PTK6))<br>(OPT HL11VAZ10-9<br>(V60516)) | C,D      | 6            |

55-40-13

 ILLUSTRATED PARTS LIST  
 01.1 Page 1068V  
 Nov 01/00


**BOEING**  
 COMPONENT  
 MAINTENANCE MANUAL

| FIG. & ITEM | PART NO. | AIRLINE PART NUMBER | NOMENCLATURE<br>1234567   | EFF CODE | QTY PER ASSY |
|-------------|----------|---------------------|---|----------|--------------|
|             | 07-      |                     |   |          |              |
| R           | 204      | BACB30MY8K5         | .ATTACHING PARTS<br>.BOLT   | C,D      | 2            |
| R           | 208      | BACB30MY8K6         | .BOLT   | C,D      | 2            |
| R           | 212      | BACB30MY8K7         | .BOLT   | C,D      | 4            |
| R           | 216      | BACB30MY8K9         | .BOLT   | C,D      | 2            |
| R           | 220      | HL79-10             | .COLLAR-<br>(V56878)<br>(SPEC BACC30M10)<br>(OPT HL79-10<br>(V73197))<br>(OPT HL79-10<br>(V92215))<br>(OPT 66014-10<br>(V56878))<br>(OPT HL79-10<br>(V5M902)) | C,D      | 6            |
| R           | 224      | HL97DU8             | .COLLAR-<br>(V73197)<br>(SPEC BACC30AB8S)<br>(OPT HL97DU8<br>(V56878))<br>(OPT HL97DU8<br>(V5M902))   | C,D      | 10           |
| R           | 228      | 173T2053-8          | .SHIM<br>-----*   | C,D      | 2            |
| R           | 232      | 173T2038-2          | ..BUSHING   | C,D      | 1            |
| R           | 236      | BACB28AM11B024A     | ..BUSHING   | C,D      | 1            |
| R           | 240      | 173T2039-2          | ..FITTING-<br>(USED ON ITEMS 196,<br>196B)  | C,D      | 1            |

55-40-13

 ILLUSTRATED PARTS LIST  
 01.1 Page 1068W  
 Nov 01/00

| FIG. & ITEM | PART NO.    | AIRLINE PART NUMBER | NOMENCLATURE<br>1234567  | EFF CODE | QTY PER ASSY |
|-------------|-------------|---------------------|--|----------|--------------|
| R 07-240A   | 173T2039-6  |                     | ..FITTING-<br>(USED ON ITEM 196A)  | C        | 1            |
| R 244       | 173T2039-3  |                     | .FITTING ASSY-HINGE<br>(LIMITED)<br>(OPT ITEM 244A)  | C        | 1            |
| R -244A     | 173T2039-7  |                     | .FITTING ASSY-HINGE<br>(LIMITED)<br>(OPT ITEM 244)   | C        | 1            |
| R -244B     | 173T2039-3  |                     | .FITTING ASSY-HINGE<br>ATTACHING PARTS   | D        | 1            |
| R 248       | HL11VAZ10-9 |                     | .BOLT-<br>(V56878)<br>(SPEC BACB30NW10K9)<br>(OPT B30NW10K9<br>(V97928))<br>(OPT HL11VAZ10-9<br>(V73197))<br>(OPT HL11VAZ10-9<br>(V92215))<br>(OPT HL11VAZ10-9<br>(V97928))<br>(OPT L803-10K9<br>(V06725))<br>(OPT HL11VAZ10-9<br>(V0PTK6))<br>(OPT HL11VAZ10-9<br>(V60516)) | C,D      | 6            |
| R 252       | HL79-10     |                     | .COLLAR-<br>(V56878)<br>(SPEC BACC30M10)<br>(OPT HL79-10<br>(V73197))<br>(OPT HL79-10<br>(V92215))<br>(OPT 66014-10<br>(V56878))<br>(OPT HL79-10<br>(V5M902))  | C,D      | 6            |

55-40-13

 ILLUSTRATED PARTS LIST  
 01.1 Page 1068X  
 Nov 01/00




**BOEING**  
 COMPONENT  
 MAINTENANCE MANUAL

| FIG. & ITEM  | PART NO.        | AIRLINE PART NUMBER | NOMENCLATURE<br>1234567  | EFF CODE | QTY PER ASSY |
|--------------|-----------------|---------------------|--|----------|--------------|
| R 07-<br>256 | 173T2053-8      |                     | .SHIM<br>-----*-----   | C,D      | 2            |
| R 260        | 173T2038-2      |                     | ..BUSHING  | C,D      | 1            |
| R 264        | BACB28AM11B024A |                     | ..BUSHING  | C,D      | 1            |
| R 268        | 173T2039-4      |                     | ..FITTING-<br>(USED ON ITEMS 244,<br>244B)   | C,D      | 1            |
| R -268A      | 173T2039-8      |                     | ..FITTING-<br>(USED ON ITEM 244A)  | C        | 1            |
| R 272        | 173T2054-2      |                     | .ANGLE   | C,D      | 4            |
| R 276        | 173T2054-3      |                     | .FILLER ASSY<br>ATTACHING PARTS  | C,D      | 4            |
| R 280        | BACB30NU4K7     |                     | .BOLT  | C,D      | 8            |
| R 284        | HL11VAZ6-7      |                     | .BOLT-<br>(V56878)<br>(SPEC BACB30NW6K7)<br>(OPT HL11V6-7<br>(V92215))<br>(OPT HL11V6-7<br>(V97928))<br>(OPT L803-6-7<br>(V06725))<br>(OPT B30NW6K7<br>(V97928))<br>(OPT HL11VAZ6-7<br>(V73197))<br>(OPT HL11VAZ6-7<br>(V92215))<br>(OPT HL11VAZ6-7<br>(V97928)) | C,D      | 8            |

55-40-13

 ILLUSTRATED PARTS LIST  
 01.1 Page 1068Y  
 Nov 01/00

| FIG. & ITEM | PART NO. | AIRLINE PART NUMBER | NOMENCLATURE<br>1234567  | EFF CODE | QTY PER ASSY |
|-------------|----------|---------------------|--|----------|--------------|
| R           | 07-288   | BACB30MY6K4         | .BOLT  | C,D      | 8            |
| R           | 292      | BACW10BP3NDP        | .WASHER  | C,D      | 8            |
| R           | 296      | HL79-6              | .COLLAR-<br>(V56878)<br>(SPEC BACC30M6)<br>(OPT HL79-6<br>(V73197))<br>(OPT HL79-6<br>(V92215))<br>(OPT 66014-6<br>(V56878))<br>(OPT HL79-6<br>(V5M902))<br>-----* | C,D      | 16           |
| R           | 300      | BACR15BA3AD         | ..RIVET-<br>(SIZE DETERMINE ON INST)   | C,D      | 4            |
| R           | 304      | NS103192-048        | ..NUTPLATE-<br>(V80539)<br>(SPEC BACN10KE4C)<br>(OPT RMF9214-4<br>(V72962))<br>(OPT F51752-4-1<br>(V15653))<br>(OPT BRFR120A4-1<br>(V52825))                       | C,D      | 2            |
| R           | 308      | BACF33C105-550E     | ..FILLER   | C,D      | 1            |
| R           | 312      | 251T3445-5          | .BRACKET ASSY  | C,D      | 1            |

55-40-13

 ILLUSTRATED PARTS LIST  
 01.1 Page 1068Z  
 Nov 01/00


**BOEING**  
 COMPONENT  
 MAINTENANCE MANUAL

| FIG. & ITEM | PART NO.    | AIRLINE PART NUMBER | NOMENCLATURE<br>1234567 | EFF CODE | QTY PER ASSY |
|-------------|-------------|---------------------|-------------------------|----------|--------------|
|             | 07-         |                     |                         |          |              |
| R 316       | BACB30NT3K5 |                     | ATTACHING PARTS         |          |              |
| R 320       | AN960PD10L  |                     | .BOLT                   | C,D      | 4            |
|             |             |                     | .WASHER                 | C,D      | 4            |
|             |             |                     | -----*                  |          |              |
| R 324       | KSP3LSD610  |                     | ..BEARING-              | C,D      | 1            |
|             |             |                     | (V83086)                |          |              |
|             |             |                     | (SPEC BACB10AC3L)       |          |              |
|             |             |                     | (OPT HHKSP3L            |          |              |
|             |             |                     | (V38443))               |          |              |
|             |             |                     | (OPT KSP3LE9440A        |          |              |
|             |             |                     | (V21335))               |          |              |
|             |             |                     | (OPT KSP3LFS428         |          |              |
|             |             |                     | (V21335))               |          |              |
|             |             |                     | (OPT KSP3L2TS           |          |              |
|             |             |                     | (V43991))               |          |              |
|             |             |                     | (OPT KSP3LG27           |          |              |
|             |             |                     | (V30163))               |          |              |
|             |             |                     | (OPT 3LFS428            |          |              |
|             |             |                     | (V21335))               |          |              |
| R 328       | 251T3445-6  |                     | ..BRACKET-              | C,D      | 1            |
|             |             |                     | (OPT ITEM 328A)         |          |              |
| R -328A     | 251T3445-7  |                     | ..BRACKET-              | C,D      | 1            |
|             |             |                     | (OPT ITEM 328)          |          |              |
| R 332       | AF5141-3-3  |                     | .RIVET-                 | C,D      | 8            |
|             |             |                     | (V53551)                |          |              |
|             |             |                     | (SPEC BACR15DR3A3)      |          |              |
|             |             |                     | (OPT RV541A3-3          |          |              |
|             |             |                     | (V98996))               |          |              |
|             |             |                     | (OPT CCR264CS3-3TT      |          |              |
|             |             |                     | (V11815))               |          |              |
| R 336       | BRF200C3D   |                     | .NUTPLATE-              | C,D      | 4            |
|             |             |                     | (V52828)                |          |              |
|             |             |                     | (SPEC BACN10JR3CFD)     |          |              |
|             |             |                     | (OPT K51602-3BAC        |          |              |
|             |             |                     | (V15653))               |          |              |
|             |             |                     | (OPT NS202476-02        |          |              |
|             |             |                     | (V80539))               |          |              |
|             |             |                     | (OPT 102F9201-3         |          |              |
|             |             |                     | (V72962))               |          |              |
|             |             |                     | (OPT T8092C1032CD       |          |              |
|             |             |                     | (V11815))               |          |              |
| R 340       | 173T2041-1  |                     | .FITTING ASSY-HINGE     | C        | 1            |
|             |             |                     | (LIMITED)               |          |              |
|             |             |                     | (OPT ITEM 340A)         |          |              |

55-40-13

ILLUSTRATED PARTS LIST

01.1

Page 1069

Nov 01/00

| FIG. & ITEM | PART NO.    | AIRLINE PART NUMBER | NOMENCLATURE<br>1234567   | EFF CODE | QTY PER ASSY |
|-------------|-------------|---------------------|---|----------|--------------|
| R 07-340A   | 173T2041-5  |                     | .FITTING ASSY-HINGE (LIMITED) (OPT ITEM 340)  | C        | 1            |
| R -340B     | 173T2041-22 |                     | .FITTING ASSY-HINGE   | D        | 1            |
| R 344       | 173T2041-3  |                     | .FITTING ASSY-HINGE (LIMITED) (OPT ITEM 344A)   | C        | 1            |
| R -344A     | 173T2041-7  |                     | .FITTING ASSY-HINGE (LIMITED) (OPT ITEM 344)  | C        | 1            |
| R -344B     | 173T2041-23 |                     | .FITTING ASSY-HINGE ATTACHING PARTS   | D        | 1            |
| R 348       | HL13VAZ10-9 |                     | .BOLT- (V56878) (SPEC BACB30NY10K9) (OPT HL13VAZ10-9 (V73197)) (OPT HL13VAZ10-9 (V92215)) (OPT HL13VAZ10-9 (V97928)) (OPT L801-10K9 (V06725)) (OPT HL13VAZ10-9 (V08524)) (OPT HL13V9 (V06725)) (OPT HL13VAZ10-9 (V17446)) | C,D      | 12           |

# 55-40-13

 ILLUSTRATED PARTS LIST  
 01.1 Page 1070  
 Nov 01/00


**BOEING**  
 COMPONENT  
 MAINTENANCE MANUAL

| FIG. & ITEM | PART NO.        | AIRLINE PART NUMBER | NOMENCLATURE<br>1234567   | EFF CODE | QTY PER ASSY |
|-------------|-----------------|---------------------|---|----------|--------------|
| R 07-352    | BACB30MY8K5     |                     | .BOLT   | C,D      | 14           |
| R 356       | HL79-10         |                     | .COLLAR-<br>(V56878)<br>(SPEC BACC30M10)<br>(OPT HL79-10<br>(V73197))<br>(OPT HL79-10<br>(V92215))<br>(OPT 66014-10<br>(V56878))<br>(OPT HL79-10<br>(V5M902)) | C,D      | 12           |
| R 360       | HL97DU8         |                     | .COLLAR-<br>(V73197)<br>(SPEC BACC30AB8S)<br>(OPT HL97DU8<br>(V56878))<br>(OPT HL97DU8<br>(V5M902))   | C,D      | 14           |
| R 364       | 173T2053-8      |                     | .SHIM<br>-----*   | C,D      | 4            |
| R 368       | 173T2038-6      |                     | ..BUSHING   | C,D      | 1            |
| R 372       | BACB28AM14B031A |                     | ..BUSHING   | C,D      | 1            |
| R 376       | 173T2041-16     |                     | ..FITTING-<br>(USED ON ITEMS 340,<br>340B)  | C,D      | 1            |
| R -376A     | 173T2041-18     |                     | ..FITTING-<br>(USED ON ITEM 340A)   | C        | 1            |
| R 380       | 173T2041-17     |                     | ..FITTING-<br>(USED ON ITEMS 344,<br>344B)  | C,D      | 1            |

55-40-13

 ILLUSTRATED PARTS LIST  
 01.1 Page 1070A  
 Nov 01/00

| FIG. & ITEM | PART NO.     | AIRLINE PART NUMBER | NOMENCLATURE<br>1234567   | EFF CODE | QTY PER ASSY |
|-------------|--------------|---------------------|---|----------|--------------|
| R 07-380A   | 173T2041-19  |                     | ..FITTING-<br>(USED ON ITEM 344A)   | C        | 1            |
| R 384       | 173T2019-1   |                     | .FITTING ASSY-ACTR<br>(LIMITED)<br>(OPT ITEM 384A)  | C        | 1            |
| R -384A     | 173T2019-3   |                     | .FITTING ASSY-ACTR<br>(LIMITED)<br>(OPT ITEM 384)   | C        | 1            |
| R -384B     | 173T2019-1   |                     | .FITTING ASSY-ACTR<br>ATTACHING PARTS   | D        | 1            |
| R 388       | HL11VAZ10-9  |                     | .BOLT-<br>(V56878)<br>(SPEC BACB30NW10K9)<br>(OPT B30NW10K9<br>(V97928))<br>(OPT HL11VAZ10-9<br>(V73197))<br>(OPT HL11VAZ10-9<br>(V92215))<br>(OPT HL11VAZ10-9<br>(V97928))<br>(OPT L803-10K9<br>(V06725))<br>(OPT HL11VAZ10-9<br>(V0PTK6))<br>(OPT HL11VAZ10-9<br>(V60516))      | C,D      | 4            |
| R 392       | HL13VAZ10-12 |                     | .BOLT-<br>(V56878)<br>(SPEC BACB30NY10K12)<br>(OPT HL13VAZ10-12<br>(V73197))<br>(OPT HL13VAZ10-12<br>(V92215))<br>(OPT HL13VAZ10-12<br>(V97928))<br>(OPT L801-10K12<br>(V06725))<br>(OPT HL13VAZ10-12<br>(V08524))<br>(OPT HL13V12<br>(V06725))<br>(OPT LH13VAZ10-12<br>(V17446)) | C,D      | 6            |

# 55-40-13

 ILLUSTRATED PARTS LIST  
 01.1 Page 1070B  
 Nov 01/00


**BOEING**  
 COMPONENT  
 MAINTENANCE MANUAL

| FIG. & ITEM | PART NO. | AIRLINE PART NUMBER | NOMENCLATURE<br>1234567   | EFF CODE | QTY PER ASSY |
|-------------|----------|---------------------|---|----------|--------------|
| R           | 07-396   | BACB30MY8K7         | .BOLT   | C,D      | 2            |
| R           | 400      | BACB30MY8K6         | .BOLT   | C,D      | 6            |
| R           | 404      | HL79-10             | .COLLAR-<br>(V56878)<br>(SPEC BACC30M10)<br>(OPT HL79-10<br>(V73197))<br>(OPT HL79-10<br>(V92215))<br>(OPT 66014-10<br>(V56878))<br>(OPT HL79-10<br>(V5M902)) | C,D      | 10           |
| R           | 408      | HL79-8              | .COLLAR-<br>(V56878)<br>(SPEC BACC30M8)<br>(OPT HL79-8<br>(V73197))<br>(OPT HL79-8<br>(V92215))<br>(OPT 66014-8<br>(V56878))<br>(OPT HL79-8<br>(V5M902))      | C,D      | 8            |
| R           | 412      | 173T2053-9          | .SHIM<br>-----*   | C,D      | 2            |
| R           | 416      | 173T2038-1          | ..BUSHING   | C,D      | 1            |
| R           | 420      | BACB28AP14P048      | ..BUSHING   | C,D      | 1            |
| R           | 424      | BACB28AM19B048A     | ..BUSHING   | C,D      | 2            |

55-40-13

 ILLUSTRATED PARTS LIST  
 01.1 Page 1070C  
 Nov 01/00

| FIG. & ITEM | PART NO.    | AIRLINE PART NUMBER | NOMENCLATURE<br>1234567  | EFF CODE | QTY PER ASSY |
|-------------|-------------|---------------------|--|----------|--------------|
| R 07-428    | 173T2019-2  |                     | ..FITTING-<br>(USED ON ITEMS 384,<br>384B)   | C,D      | 1            |
| R -428A     | 173T2019-4  |                     | ..FITTING-<br>(USED ON ITEM 384A)  | C        | 1            |
| R 432       | 173T2017-3  |                     | .FITTING ASSY-ACTR<br>(LIMITED)<br>(OPT ITEM 432A)   | C        | 1            |
| R -432A     | 173T2017-7  |                     | .FITTING ASSY-ACTR<br>(LIMITED)<br>(OPT ITEM 432)  | C        | 1            |
| R -432B     | 173T2017-3  |                     | .FITTING ASSY-ACTR   | D        | 1            |
| R 436       | 173T2017-1  |                     | .FITTING ASSY-ACTR<br>(LIMITED)<br>(OPT ITEM 436A)   | C        | 1            |
| R -436A     | 173T2017-5  |                     | .FITTING ASSY-ACTR<br>(LIMITED)<br>(OPT ITEM 436)  | C        | 1            |
| R -436B     | 173T2017-1  |                     | .FITTING ASSY-ACTR<br>ATTACHING PARTS  | D        | 1            |
| R 440       | HL11VAZ10-9 |                     | .BOLT-<br>(V56878)<br>(SPEC BACB30NW10K9)<br>(OPT B30NW10K9<br>(V97928))<br>(OPT HL11VAZ10-9<br>(V73197))<br>(OPT HL11VAZ10-9<br>(V92215))<br>(OPT HL11VAZ10-9<br>(V97928))<br>(OPT L803-10K9<br>(V06725))<br>(OPT HL11VAZ10-9<br>(V0PTK6))<br>(OPT HL11VAZ10-9<br>(V60516)) | C,D      | 8            |

55-40-13

 ILLUSTRATED PARTS LIST  
 01.1 Page 1070D  
 Nov 01/00




**BOEING**  
 COMPONENT  
 MAINTENANCE MANUAL

| FIG. & ITEM | PART NO.     | AIRLINE PART NUMBER | NOMENCLATURE<br>1234567   | EFF CODE | QTY PER ASSY |
|-------------|--------------|---------------------|---|----------|--------------|
| R 07-444    | HL13VAZ10-12 |                     | .BOLT-<br>(V56878)<br>(SPEC BACB30NY10K12)<br>(OPT HL13VAZ10-12<br>(V73197))<br>(OPT HL13VAZ10-12<br>(V92215))<br>(OPT HL13VAZ10-12<br>(V97928))<br>(OPT L801-10K12<br>(V06725))<br>(OPT HL13VAZ10-12<br>(V08524))<br>(OPT HL13V12<br>(V06725))<br>(OPT LH13VAZ10-12<br>(V17446)) | C,D      | 12           |
| R 448       | BACB30MY8K6  |                     | .BOLT   | C,D      | 16           |
| R 452       | HL79-10      |                     | .COLLAR-<br>(V56878)<br>(SPEC BACC30M10)<br>(OPT HL79-10<br>(V73197))<br>(OPT HL79-10<br>(V92215))<br>(OPT 66014-10<br>(V56878))<br>(OPT HL79-10<br>(V5M902))   | C,D      | 20           |

55-40-13

 ILLUSTRATED PARTS LIST  
 01.1 Page 1070E  
 Nov 01/00

| FIG. & ITEM | PART NO.        | AIRLINE PART NUMBER | NOMENCLATURE<br>1234567  | EFF CODE | QTY PER ASSY |
|-------------|-----------------|---------------------|--|----------|--------------|
| R 07-456    | HL79-8          |                     | .COLLAR-<br>(V56878)<br>(SPEC BACC30M8)<br>(OPT HL79-8<br>(V73197))<br>(OPT HL79-8<br>(V92215))<br>(OPT 66014-8<br>(V56878))<br>(OPT HL79-8<br>(V5M902)) | C,D      | 16           |
| R 460       | 173T2053-9      |                     | .SHIM<br>-----*-----   | C,D      | 4            |
| R 464       | 173T2038-1      |                     | ..BUSHING  | C,D      | 1            |
| R 468       | BACB28AP14P048  |                     | ..BUSHING  | C,D      | 1            |
| R 472       | BACB28AM19B048A |                     | ..BUSHING  | C,D      | 2            |
| R 476       | 173T2017-4      |                     | ..FITTING-<br>(USED ON ITEMS 432,<br>432B)   | C,D      | 1            |
| R -476A     | 173T2017-8      |                     | ..FITTING-<br>(USED ON ITEM 432A)  | C        | 1            |
| R 480       | 173T2017-2      |                     | ..FITTING-<br>(USED ON ITEMS 436,<br>436B)   | C,D      | 1            |
| R -480A     | 173T2017-6      |                     | ..FITTING-<br>(USED ON ITEM 436A)  | C        | 1            |
| R 484       | 173T2023-1      |                     | .FITTING ASSY-HINGE<br>(LIMITED)<br>(OPT ITEM 484A)  | C        | 1            |
| R -484A     | 173T2023-5      |                     | .FITTING ASSY-HINGE<br>(LIMITED)<br>(OPT ITEM 484)   | C        | 1            |
| R -484B     | 173T2023-1      |                     | .FITTING ASSY-HINGE  | D        | 1            |

55-40-13

 ILLUSTRATED PARTS LIST  
 01.1 Page 1070F  
 Nov 01/00


**BOEING**  
 COMPONENT  
 MAINTENANCE MANUAL

| FIG. & ITEM  | PART NO.    | AIRLINE PART NUMBER | NOMENCLATURE<br>1234567   | EFF CODE | QTY PER ASSY |
|--------------|-------------|---------------------|---|----------|--------------|
| R 07-<br>488 | HL11VAZ10-9 |                     | ATTACHING PARTS<br>.BOLT-<br>(V56878)<br>(SPEC BACB30NW10K9)<br>(OPT B30NW10K9<br>(V97928))<br>(OPT HL11VAZ10-9<br>(V73197))<br>(OPT HL11VAZ10-9<br>(V92215))<br>(OPT HL11VAZ10-9<br>(V97928))<br>(OPT L803-10K9<br>(V06725))<br>(OPT HL11VAZ10-9<br>(V0PTK6))<br>(OPT HL11VAZ10-9<br>(V60516)) | C,D      | 6            |
| R 492        | BACB30MY8K5 |                     | .BOLT   | C,D      | 4            |
| R 496        | BACB30MY8K6 |                     | .BOLT   | C,D      | 4            |
| R 500        | HL79-10     |                     | .COLLAR-<br>(V56878)<br>(SPEC BACC30M10)<br>(OPT HL79-10<br>(V73197))<br>(OPT HL79-10<br>(V92215))<br>(OPT 66014-10<br>(V56878))<br>(OPT HL79-10<br>(V5M902))   | C,D      | 6            |

55-40-13

 ILLUSTRATED PARTS LIST  
 01.1 Page 1070G  
 Nov 01/00

| FIG. & ITEM | PART NO.        | AIRLINE PART NUMBER | NOMENCLATURE<br>1234567  | EFF CODE | QTY PER ASSY |
|-------------|-----------------|---------------------|--|----------|--------------|
| R 07-504    | HL97DU8         |                     | .COLLAR-<br>(V73197)<br>(SPEC BACC30AB8S)<br>(OPT HL97DU8<br>(V56878))<br>(OPT HL97DU8<br>(V5M902))  | C,D      | 8            |
| R 508       | 173T2053-10     |                     | .SHIM<br>-----*  | C,D      | 2            |
| R 512       | BACB28AM14B027A |                     | ..BUSHING  | C,D      | 1            |
| R 516       | BACB28AP10P047  |                     | ..BUSHING  | C,D      | 1            |
| R 520       | 173T2023-2      |                     | ..FITTING-<br>(USED ON ITEMS 484,<br>484B)   | C,D      | 1            |
| R -520A     | 173T2023-6      |                     | ..FITTING-<br>(USED ON ITEM 484A)  | C        | 1            |
| R 524       | 173T2023-3      |                     | .FITTING ASSY-HINGE<br>(LIMITED)<br>(OPT ITEM 524A)  | C        | 1            |
| R -524A     | 173T2023-7      |                     | .FITTING ASSY-HINGE<br>(LIMITED)<br>(OPT ITEM 524)   | C        | 1            |
| R -524B     | 173T2023-3      |                     | .FITTING ASSY-HINGE<br>ATTACHING PARTS   | D        | 1            |
| R 528       | HL11VAZ10-9     |                     | .BOLT-<br>(V56878)<br>(SPEC BACB30NW10K9)<br>(OPT B30NW10K9<br>(V97928))<br>(OPT HL11VAZ10-9<br>(V73197))<br>(OPT HL11VAZ10-9<br>(V92215))<br>(OPT HL11VAZ10-9<br>(V97928))<br>(OPT L803-10K9<br>(V06725))<br>(OPT HL11VAZ10-9<br>(V0PTK6))<br>(OPT HL11VAZ10-9<br>(V60516)) | C,D      | 6            |

55-40-13

 ILLUSTRATED PARTS LIST  
 01.1 Page 1070H  
 Nov 01/00


**BOEING**  
 COMPONENT  
 MAINTENANCE MANUAL

| FIG. & ITEM | PART NO. | AIRLINE PART NUMBER | NOMENCLATURE<br>1234567   | EFF CODE | QTY PER ASSY |
|-------------|----------|---------------------|---|----------|--------------|
| R           | 07-532   | BACB30MY8K5         | .BOLT   | C,D      | 4            |
| R           | 536      | BACB30MY8K6         | .BOLT   | C,D      | 4            |
| R           | 540      | HL79-10             | .COLLAR-<br>(V56878)<br>(SPEC BACC30M10)<br>(OPT HL79-10<br>(V73197))<br>(OPT HL79-10<br>(V92215))<br>(OPT 66014-10<br>(V56878))<br>(OPT HL79-10<br>(V5M902)) | C,D      | 6            |
| R           | 544      | HL97DU8             | .COLLAR-<br>(V73197)<br>(SPEC BACC30AB8S)<br>(OPT HL97DU8<br>(V56878))<br>(OPT HL97DU8<br>(V5M902))   | C,D      | 8            |
| R           | 548      | 173T2053-10         | .SHIM<br>-----*   | C,D      | 2            |
| R           | 552      | BACB28AM14B027A     | ..BUSHING   | C,D      | 1            |
| R           | 556      | AN960PD2016         | ..WASHER  | C,D      | 1            |
| R           | 560      | 173T2038-5          | ..NUT   | C,D      | 1            |
| R           | 564      | 173T2038-3          | ..BUSHING   | C,D      | 1            |
| R           | 568      | 173T2038-4          | ..BUSHING   | C,D      | 1            |
| R           | 572      | 173T2023-4          | ..FITTING-<br>(USED ON ITEMS 524,<br>524B)  | C,D      | 1            |

55-40-13

 ILLUSTRATED PARTS LIST  
 01.1 Page 1070I  
 Nov 01/00

| FIG. & ITEM | PART NO.    | AIRLINE PART NUMBER | NOMENCLATURE<br>1234567  | EFF CODE | QTY PER ASSY |
|-------------|-------------|---------------------|--|----------|--------------|
| R 07-572A   | 173T2023-8  |                     | ..FITTING-<br>(USED ON ITEM 524A)  | C        | 1            |
| R 576       | 173T2043-1  |                     | .FITTING ASSY-HINGE<br>(LIMITED)<br>(OPT ITEM 576A)  | C        | 1            |
| R -576A     | 173T2043-3  |                     | .FITTING ASSY-HINGE<br>(LIMITED)<br>(OPT ITEM 576)   | C        | 1            |
| R -576B     | 173T2043-1  |                     | .FITTING ASSY-HINGE  | D        | 1            |
| R 580       | 173T2045-1  |                     | .FITTING ASSY-HINGE<br>(LIMITED)<br>(OPT ITEM 580A)  | C        | 1            |
| R -580A     | 173T2045-3  |                     | .FITTING ASSY-HINGE<br>(LIMITED)<br>(OPT ITEM 580)   | C        | 1            |
| R -580B     | 173T2045-1  |                     | .FITTING ASSY-HINGE<br>ATTACHING PARTS   | D        | 1            |
| R 584       | HL11VAZ10-9 |                     | .BOLT-<br>(V56878)<br>(SPEC BACB30NW10K9)<br>(OPT B30NW10K9<br>(V97928))<br>(OPT HL11VAZ10-9<br>(V73197))<br>(OPT HL11VAZ10-9<br>(V92215))<br>(OPT HL11VAZ10-9<br>(V97928))<br>(OPT L803-10K9<br>(V06725))<br>(OPT HL11VAZ10-9<br>(V0PTK6))<br>(OPT HL11VAZ10-9<br>(V60516)) | C,D      | 6            |

# 55-40-13

 ILLUSTRATED PARTS LIST  
 01.1 Page 1070J  
 Nov 01/00


**BOEING**  
 COMPONENT  
 MAINTENANCE MANUAL

| FIG. & ITEM | PART NO.        | AIRLINE PART NUMBER | NOMENCLATURE<br>1234567  | EFF CODE | QTY PER ASSY |
|-------------|-----------------|---------------------|--|----------|--------------|
| R 07-588    | HL11VAZ10-8     |                     | .BOLT-<br>(V56878)<br>(SPEC BACB30NW10K8)<br>(OPT B30NW10K8<br>(V97928))<br>(OPT HL11VAZ10-8<br>(V73197))<br>(OPT HL11VAZ10-8<br>(V92215))<br>(OPT HL11VAZ10-8<br>(V97928))<br>(OPT L803-10K8<br>(V06725))<br>(OPT HL11VAZ10-8<br>(V0PTK6))<br>(OPT HL11VAZ10-8<br>(V60516)) | C,D      | 6            |
| R 592       | HL79-10         |                     | .COLLAR-<br>(V56878)<br>(SPEC BACC30M10)<br>(OPT HL79-10<br>(V73197))<br>(OPT HL79-10<br>(V92215))<br>(OPT 66014-10<br>(V56878))<br>(OPT HL79-10<br>(V5M902))  | C,D      | 12           |
| R 596       | 173T2053-8      |                     | .SHIM<br>-----*  | C,D      | 4            |
| R 600       | 173T2038-2      |                     | ..BUSHING  | C,D      | 1            |
| R 604       | BACB28AM11B024A |                     | ..BUSHING  | C,D      | 1            |
| R 608       | 173T2043-2      |                     | ..FITTING-<br>(USED ON ITEMS 576,<br>576B)   | C,D      | 1            |

55-40-13

 ILLUSTRATED PARTS LIST  
 01.1 Page 1070K  
 Nov 01/00

| FIG. & ITEM | PART NO.     | AIRLINE PART NUMBER | NOMENCLATURE<br>1234567  | EFF CODE | QTY PER ASSY |
|-------------|--------------|---------------------|--|----------|--------------|
| R 07-608A   | 173T2043-4   |                     | ..FITTING-<br>(USED ON ITEM 576A)  | C        | 1            |
| R 612       | 173T2045-2   |                     | ..FITTING-<br>(USED ON ITEMS 580,<br>580B)   | C,D      | 1            |
| R -612A     | 173T2045-4   |                     | ..FITTING-<br>(USED ON ITEM 580A)  | C        | 1            |
| R 616       | 173T2046-1   |                     | .FITTING ASSY-HINGE<br>(LIMITED)<br>(OPT ITEM 616A)  | C        | 1            |
| R -616A     | 173T2046-3   |                     | .FITTING ASSY-HINGE<br>(LIMITED)<br>(OPT ITEM 616)   | C        | 1            |
| R -616B     | 173T2046-1   |                     | .FITTING ASSY-HINGE<br>ATTACHING PARTS   | D        | 1            |
| R 620       | HL11VAZ10-10 |                     | .BOLT-<br>(V56878)<br>(SPEC BACB30NW10K10)<br>(OPT B30NW10K10<br>(V97928))<br>(OPT HL11VAZ10-10<br>(V92215))<br>(OPT HL11VAZ10-10<br>(V97928))<br>(OPT L803-10K10<br>(V06725))<br>(OPT HL11VAZ10-10<br>(V73197))<br>(OPT HL11VAZ10-10<br>(V0PTK6))<br>(OPT HL11VAZ10-10<br>(V60516)) | C,D      | 6            |

55-40-13

 ILLUSTRATED PARTS LIST  
 01.1 Page 1070L  
 Nov 01/00




**BOEING**  
 COMPONENT  
 MAINTENANCE MANUAL

| FIG. & ITEM | PART NO.        | AIRLINE PART NUMBER | NOMENCLATURE<br>1234567   | EFF CODE | QTY PER ASSY |
|-------------|-----------------|---------------------|---|----------|--------------|
| R 07-624    | BACB30MY8K6     |                     | .BOLT   | C,D      | 6            |
| R 628       | HL79-10         |                     | .COLLAR-<br>(V56878)<br>(SPEC BACC30M10)<br>(OPT HL79-10<br>(V73197))<br>(OPT HL79-10<br>(V92215))<br>(OPT 66014-10<br>(V56878))<br>(OPT HL79-10<br>(V5M902)) | C,D      | 6            |
| R 632       | HL97DU8         |                     | .COLLAR-<br>(V73197)<br>(SPEC BACC30AB8S)<br>(OPT HL97DU8<br>(V56878))<br>(OPT HL97DU8<br>(V5M902))   | C,D      | 6            |
| R 636       | 173T2053-8      |                     | .SHIM<br>-----*   | C,D      | 2            |
| R 640       | 173T2038-7      |                     | ..BUSHING   | C,D      | 1            |
| R 644       | BACB28AM11B024A |                     | ..BUSHING   | C,D      | 1            |
| R 648       | 173T2046-2      |                     | ..FITTING-<br>(USED ON ITEMS 616,<br>616B)  | C,D      | 1            |
| R -648A     | 173T2046-4      |                     | ..FITTING-<br>(USED ON ITEM 616A)   | C        | 1            |
| R 652       | BACB30NT3K3     |                     | .BOLT   | C,D      | 9            |
| R 656       | 173T2013-5      |                     | .DOOR-INSPECTION  | C,D      | 3            |
| R 660       | AF5141-3-2      |                     | .RIVET-<br>(V53551)<br>(SPEC BACR15DR3A2)<br>(OPT RV541A3-2<br>(V98996))<br>(OPT CCR264CS3-2TT<br>(V11815))   | C,D      | 18           |

55-40-13

 ILLUSTRATED PARTS LIST  
 01.1 Page 1070M  
 Nov 01/00

| FIG. & ITEM | PART NO.   | AIRLINE PART NUMBER | NOMENCLATURE<br>1234567  | EFF CODE | QTY PER ASSY |
|-------------|------------|---------------------|--|----------|--------------|
| R 07-664    | BRF200C3D  |                     | .NUTPLATE-<br>(V52828)<br>(SPEC BACN10JR3CFD)<br>(OPT K51602-3BAC<br>(V15653))<br>(OPT NS202476-02<br>(V80539))<br>(OPT 102F9201-3<br>(V72962))<br>(OPT T8092C1032CD<br>(V11815))  | C,D      | 9            |
| R 668       | HL11VAZ6-5 |                     | .BOLT-<br>(V56878)<br>(SPEC BACB30NW6K5)<br>(OPT HL11V6-5<br>(V92215))<br>(OPT HL11V6-5<br>(V97928))<br>(OPT L803-6-5<br>(V06725))<br>(OPT B30NW6K5<br>(V97928))<br>(OPT HL11VAZ6-5<br>(V73197))<br>(OPT HL11VAZ6-5<br>(V92215))<br>(OPT HL11VAZ6-5<br>(V97928)) | C,D      | 20           |
| R 672       | HL97DU6    |                     | .COLLAR-<br>(V73197)<br>(SPEC BACC30AB6S)<br>(OPT HL97DU6<br>(V56878))<br>(OPT HL97DU6<br>(V5M902))  | C,D      | 20           |

# 55-40-13

 ILLUSTRATED PARTS LIST  
 01.1 Page 1070N  
 Nov 01/00


**BOEING**  
 COMPONENT  
 MAINTENANCE MANUAL

| FIG. & ITEM  | PART NO.    | AIRLINE PART NUMBER | NOMENCLATURE<br>1234567  | EFF CODE | QTY PER ASSY |
|--------------|-------------|---------------------|--|----------|--------------|
| R 07-<br>676 | 173T2053-7  |                     | .SHIM  | C,D      | 2            |
| R 680        | HL11VAZ6-5  |                     | .BOLT-<br>(V56878)<br>(SPEC BACB30NW6K5)<br>(OPT HL11V6-5<br>(V92215))<br>(OPT HL11V6-5<br>(V97928))<br>(OPT L803-6-5<br>(V06725))<br>(OPT B30NW6K5<br>(V97928))<br>(OPT HL11VAZ6-5<br>(V73197))<br>(OPT HL11VAZ6-5<br>(V92215))<br>(OPT HL11VAZ6-5<br>(V97928)) | C,D      | 50           |
| R 684        | HL97DU6     |                     | .COLLAR-<br>(V73197)<br>(SPEC BACC30AB6S)<br>(OPT HL97DU6<br>(V56878))<br>(OPT HL97DU6<br>(V5M902))  | C,D      | 50           |
| R 688        | 173T2053-35 |                     | .SHIM  | C,D      | 2            |
| R 692        | HL11VAZ6-5  |                     | .BOLT-<br>(V56878)<br>(SPEC BACB30NW6K5)<br>(OPT HL11V6-5<br>(V92215))<br>(OPT HL11V6-5<br>(V97928))<br>(OPT L803-6-5<br>(V06725))<br>(OPT B30NW6K5<br>(V97928))<br>(OPT HL11VAZ6-5<br>(V73197))<br>(OPT HL11VAZ6-5<br>(V92215))<br>(OPT HL11VAZ6-5<br>(V97928)) | C,D      | 46           |

55-40-13

 ILLUSTRATED PARTS LIST  
 01.1 Page 10700  
 Nov 01/00

| FIG. & ITEM | PART NO.   | AIRLINE PART NUMBER | NOMENCLATURE<br>1234567  | EFF CODE | QTY PER ASSY |
|-------------|------------|---------------------|--|----------|--------------|
| R 07-696    | HL97DU6    |                     | .COLLAR-<br>(V73197)<br>(SPEC BACC30AB6S)<br>(OPT HL97DU6<br>(V56878))<br>(OPT HL97DU6<br>(V5M902))  | C,D      | 46           |
| R 700       | HL11VAZ6-5 |                     | .BOLT-<br>(V56878)<br>(SPEC BACB30NW6K5)<br>(OPT HL11V6-5<br>(V92215))<br>(OPT HL11V6-5<br>(V97928))<br>(OPT L803-6-5<br>(V06725))<br>(OPT B30NW6K5<br>(V97928))<br>(OPT HL11VAZ6-5<br>(V73197))<br>(OPT HL11VAZ6-5<br>(V92215))<br>(OPT HL11VAZ6-5<br>(V97928)) | C,D      | 58           |
| R 704       | HL97DU6    |                     | .COLLAR-<br>(V73197)<br>(SPEC BACC30AB6S)<br>(OPT HL97DU6<br>(V56878))<br>(OPT HL97DU6<br>(V5M902))  | C,D      | 58           |

# 55-40-13

 ILLUSTRATED PARTS LIST  
 01.1 Page 1070P  
 Nov 01/00


**BOEING**  
 COMPONENT  
 MAINTENANCE MANUAL

| FIG. & ITEM | PART NO. | AIRLINE PART NUMBER | NOMENCLATURE<br>1234567  | EFF CODE | QTY PER ASSY |
|-------------|----------|---------------------|--|----------|--------------|
| R           | 07-708   | 173T2053-36         | .SHIM  | C,D      | 2            |
| R           | 712      | 173T2053-5          | .SHIM  | C,D      | 2            |
| R           | 716      | HL11VAZ6-5          | .BOLT-<br>(V56878)<br>(SPEC BACB30NW6K5)<br>(OPT HL11V6-5<br>(V92215))<br>(OPT HL11V6-5<br>(V97928))<br>(OPT L803-6-5<br>(V06725))<br>(OPT B30NW6K5<br>(V97928))<br>(OPT HL11VAZ6-5<br>(V73197))<br>(OPT HL11VAZ6-5<br>(V92215))<br>(OPT HL11VAZ6-5<br>(V97928)) | C,D      | 4            |
| R           | 720      | HL11VAZ6-4          | .BOLT-<br>(V56878)<br>(SPEC BACB30NW6K4)<br>(OPT HL11V6-4<br>(V92215))<br>(OPT HL11V6-4<br>(V97928))<br>(OPT L803-6-4<br>(V06725))<br>(OPT B30NW6K4<br>(V97928))<br>(OPT HL11VAZ6-4<br>(V73197))<br>(OPT HL11VAZ6-4<br>(V92215))<br>(OPT HL11VAZ6-4<br>(V97928)) | C,D      | 2            |
| R           | 724      | HL97DU6             | .COLLAR-<br>(V73197)<br>(SPEC BACC30AB6S)<br>(OPT HL97DU6<br>(V56878))<br>(OPT HL97DU6<br>(V5M902))  | C,D      | 6            |

55-40-13

 ILLUSTRATED PARTS LIST  
 01.1 Page 1070Q  
 Nov 01/00

| FIG. & ITEM | PART NO. | AIRLINE PART NUMBER | NOMENCLATURE<br>1234567  | EFF CODE | QTY PER ASSY |
|-------------|----------|---------------------|--|----------|--------------|
|             | 07-      |                     |  |          |              |
| R           | 728      | 173T2053-1          | .SHIM  | C,D      | 1            |
| R           | 732      | 173T2053-2          | .SHIM  | C,D      | 1            |
| R           | 736      | HL11VAZ6-5          | .BOLT-<br>(V56878)<br>(SPEC BACB30NW6K5)<br>(OPT HL11V6-5<br>(V92215))<br>(OPT HL11V6-5<br>(V97928))<br>(OPT L803-6-5<br>(V06725))<br>(OPT B30NW6K5<br>(V97928))<br>(OPT HL11VAZ6-5<br>(V73197))<br>(OPT HL11VAZ6-5<br>(V92215))<br>(OPT HL11VAZ6-5<br>(V97928)) | C,D      | 6            |
| R           | 740      | HL97DU6             | .COLLAR-<br>(V73197)<br>(SPEC BACC30AB6S)<br>(OPT HL97DU6<br>(V56878))<br>(OPT HL97DU6<br>(V5M902))  | C,D      | 6            |
| R           | 744      | 173T2053-3          | .SHIM  | C,D      | 1            |
| R           | 748      | 173T2053-4          | .SHIM  | C,D      | 1            |
| R           | 752      | HL11VAZ6-4          | .BOLT-<br>(V56878)<br>(SPEC BACB30NW6K4)<br>(OPT HL11V6-4<br>(V92215))<br>(OPT HL11V6-4<br>(V97928))<br>(OPT L803-6-4<br>(V06725))<br>(OPT B30NW6K4<br>(V97928))<br>(OPT HL11VAZ6-4<br>(V73197))<br>(OPT HL11VAZ6-4<br>(V92215))<br>(OPT HL11VAZ6-4<br>(V97928)) | C,D      | 158          |

55-40-13

**BOEING**  
 COMPONENT  
 MAINTENANCE MANUAL

| FIG. & ITEM | PART NO.   | AIRLINE PART NUMBER | NOMENCLATURE<br>1234567   | EFF CODE | QTY PER ASSY |
|-------------|------------|---------------------|---|----------|--------------|
| R 07-756    | HL11VAZ6-5 |                     | .BOLT-<br>(V56878)<br>(SPEC BACB30NW6K5)<br>(OPT HL11V6-5 (V92215))<br>(OPT HL11V6-5 (V97928))<br>(OPT L803-6-5 (V06725))<br>(OPT B30NW6K5 (V97928))<br>(OPT HL11VAZ6-5 (V73197))<br>(OPT HL11VAZ6-5 (V92215))<br>(OPT HL11VAZ6-5 (V97928))     | C,D      | 48           |
| R 760       | HL11VAZ6-6 |                     | .BOLT-<br>(V56878)<br>(SPEC BACB30NW6K6)<br>(OPT B30NW6K6 (V97928))<br>(OPT HL11VAZ6-6 (V73197))<br>(OPT HL11VAZ6-6 (V92215))<br>(OPT HL11VAZ6-6 (V97928))<br>(OPT L803-6K6 (V06725))<br>(OPT HL11VAZ6-6 (V0PTK6))<br>(OPT HL11VAZ6-6 (V60516)) | C,D      | 4            |

**55-40-13**

ILLUSTRATED PARTS LIST  
 01.1 Page 1070S  
 Nov 01/00

| FIG. & ITEM | PART NO.   | AIRLINE PART NUMBER | NOMENCLATURE<br>1234567  | EFF CODE | QTY PER ASSY |
|-------------|------------|---------------------|--|----------|--------------|
| R 07-764    | HL11VAZ8-5 |                     | .BOLT-<br>(V56878)<br>(SPEC BACB30NW8K5)<br>(OPT B30NW8K5<br>(V97928))<br>(OPT HL11VAZ8-5<br>(V73197))<br>(OPT HL11VAZ8-5<br>(V92215))<br>(OPT HL11VAZ8-5<br>(V97928))<br>(OPT L803-8K5<br>(V06725))<br>(OPT HL11VAZ8-5<br>(V0PTK6))<br>(OPT HL11VAZ8-5<br>(V60516)) | C,D      | 6            |
| R 768       | HL11VAZ8-6 |                     | .BOLT-<br>(V56878)<br>(SPEC BACB30NW8K6)<br>(OPT B30NW8K6<br>(V97928))<br>(OPT HL11VAZ8-6<br>(V73197))<br>(OPT HL11VAZ8-6<br>(V92215))<br>(OPT HL11VAZ8-6<br>(V97928))<br>(OPT L803-8K6<br>(V06725))<br>(OPT HL11VAZ8-6<br>(V0PTK6))<br>(OPT HL11VAZ8-6<br>(V60516)) | C,D      | 30           |

# 55-40-13

 ILLUSTRATED PARTS LIST  
 01.1 Page 1070T  
 Nov 01/00




**BOEING**  
 COMPONENT  
 MAINTENANCE MANUAL

| FIG. & ITEM | PART NO.   | AIRLINE PART NUMBER | NOMENCLATURE<br>1234567   | EFF CODE | QTY PER ASSY |
|-------------|------------|---------------------|---|----------|--------------|
| R           | 07-<br>772 | BACB30LK4-7         | .BOLT   | C,D      | 6            |
| R           | 776        | BACW10DM8P          | .WASHER   | C,D      | 28           |
| R           | 780        | BACN10JC4CM         | .NUT  | C,D      | 6            |
| R           | 784        | 173T2056-1          | .CLIP   | C,D      | 2            |
| R           | 788        | HL97DU6             | .COLLAR-<br>(V73197)<br>(SPEC BACC30AB6S)<br>(OPT HL97DU6<br>(V56878))<br>(OPT HL97DU6<br>(V5M902)) | C,D      | 210          |
| R           | 792        | HL97DU8             | .COLLAR-<br>(V73197)<br>(SPEC BACC30AB8S)<br>(OPT HL97DU8<br>(V56878))<br>(OPT HL97DU8<br>(V5M902)) | C,D      | 36           |
| R           | 796        | 173T2016-1          | .BOND ASSY  | C,D      | 1            |

- Item Not Illustrated

# 55-40-13

ILLUSTRATED PARTS LIST

01.1 Page 1070U

Nov 01/00